



US00D822604S

(12) **United States Design Patent**
Piper et al.

(10) **Patent No.:** **US D822,604 S**
(45) **Date of Patent:** **** Jul. 10, 2018**

(54) **INSULATOR**

4,160,540 A 7/1979 Lindsey et al.
(Continued)

(71) Applicant: **Gallagher Group Limited**, Melville,
Hamilton (NZ)

FOREIGN PATENT DOCUMENTS

(72) Inventors: **Erik John William Piper**, Hamilton
(NZ); **Daniel Stoner**, Hamilton (NZ)

CA 2270747 10/2000
CA 2286419 10/2000
(Continued)

(73) Assignee: **Gallagher Group Limited**, Hamilton
(NZ)

OTHER PUBLICATIONS

(**) Term: **15 Years**

Amazon. <URL: https://www.amazon.com/ElectroBraid-IWHDCLAWB-EB-Black-Insulators-20-Pack/dp/B00BPQEMJI/ref=pd_sbs_86_9?encoding=UTF8&psc=1&refRID=VK47WMTESYBZHZSWD67G> Oct. 29, 2014. Fence Post Insulators.*

(21) Appl. No.: **29/553,260**

(22) Filed: **Jan. 29, 2016**

(Continued)

(30) **Foreign Application Priority Data**

Jul. 30, 2015 (NZ) 420497

(51) **LOC (11) Cl.** **13-03**

(52) **U.S. Cl.**
USPC **D13/132**

(58) **Field of Classification Search**
USPC D13/123-132; D8/356, 364
CPC H01L 2023/40; H01L 23/42; F16B 31/02;
F16B 31/00; H01R 4/38; H01R 4/66;
H01R 4/00; H01R 23/00; G01R 1/067;
H01B 17/16; H01B 17/14; H01B 17/145;
H01B 17/20; H01B 17/22; H01B 17/24;
H01B 17/301

See application file for complete search history.

Primary Examiner — Thomas Johannes

Assistant Examiner — Lauren McVey

(74) *Attorney, Agent, or Firm* — Moore & Van Allen
PLLC; Patrick B. Horne

(56) **References Cited**

U.S. PATENT DOCUMENTS

1,525,229 A 5/1919 Cotton
D56,262 S 9/1920 Austin
1,821,222 A 9/1931 Kyle
2,138,571 A 11/1938 Dehmel
2,537,719 A * 1/1951 Tuepker H01B 17/145
174/163 F
3,240,870 A * 3/1966 Harmon H02G 7/20
174/141 R
3,272,463 A 9/1966 Greig

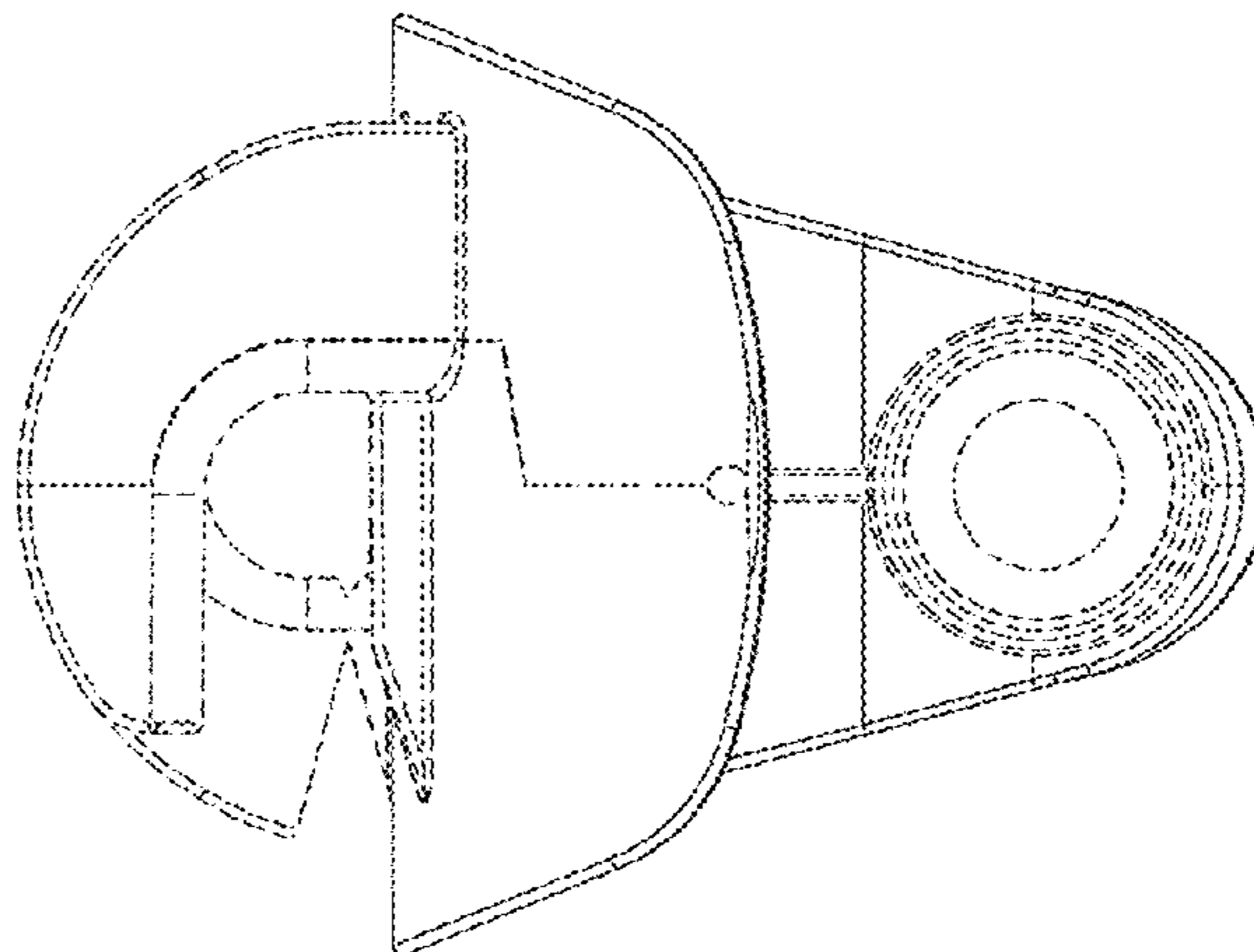
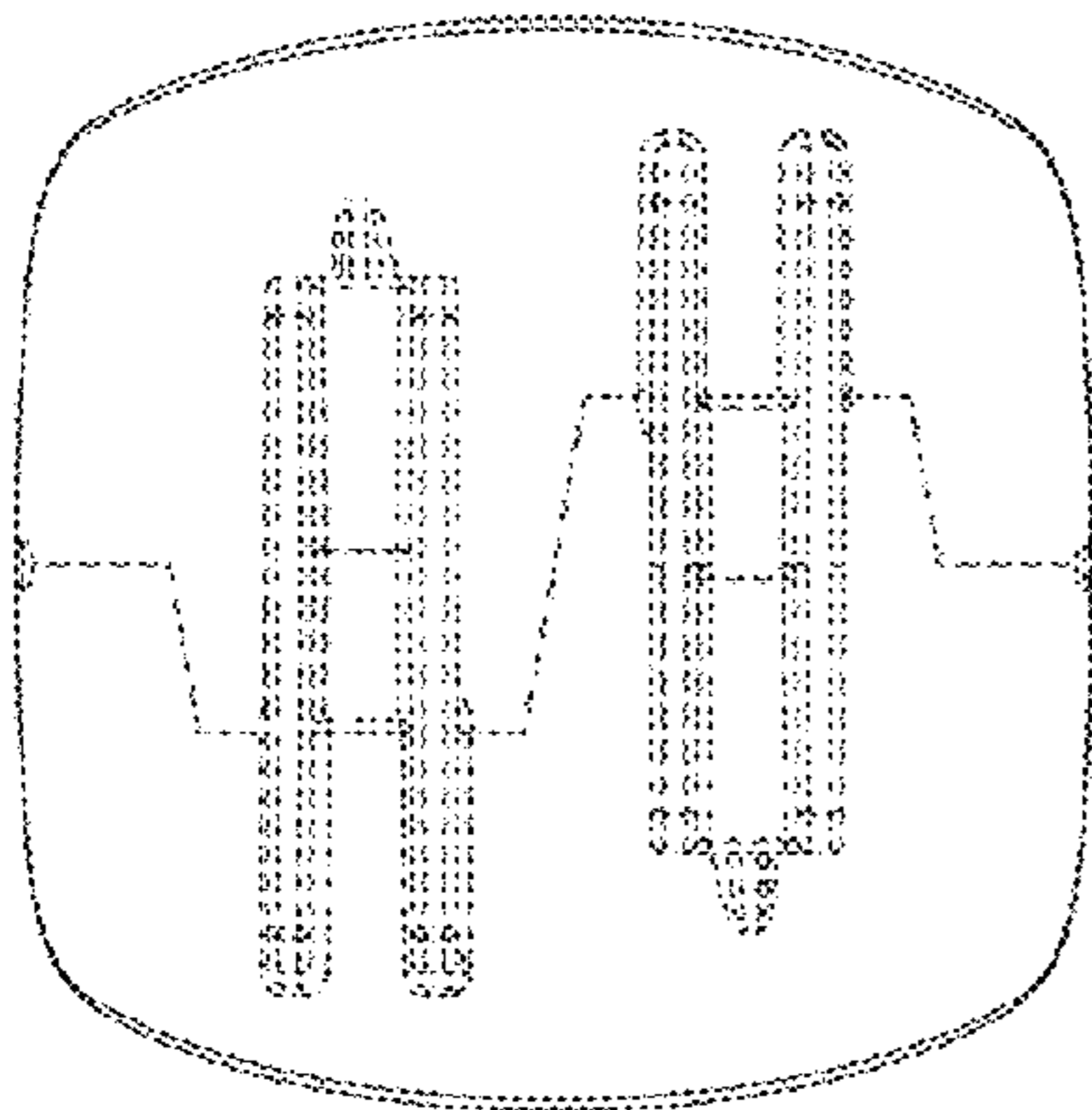
(57) **CLAIM**

The ornamental design for an insulator, as shown and described.

DESCRIPTION

FIG. 1 is a perspective view of an insulator, showing our new design;
FIG. 2 is a top plan view thereof;
FIG. 3 is a bottom plan view thereof;
FIG. 4 is a front elevational view thereof;
FIG. 5 is a rear elevational view thereof;
FIG. 6 is a side elevational view thereof; and,
FIG. 7 is an opposite side elevational view thereof.
The broken lines shown in FIGS. 1-7 illustrate portions of the insulator that form no part of the claimed design.
The wire frame lines shown throughout the views are intended to indicate surface contour.

1 Claim, 7 Drawing Sheets



(56)

References Cited

U.S. PATENT DOCUMENTS

D283,612 S 4/1986 Timmington
 D315,334 S 3/1991 Fujioka
 D375,079 S * 10/1996 Pazdirek D13/132
 D392,616 S * 3/1998 Gagne D13/131
 5,945,636 A * 8/1999 Sakich H01B 17/20
 174/174
 5,981,878 A * 11/1999 Zhao H01B 17/20
 174/158 R
 6,027,082 A * 2/2000 King H02G 7/20
 174/30
 D421,958 S * 3/2000 Pratt D13/131
 D438,779 S 3/2001 Sauber
 D452,136 S 12/2001 Harding
 D463,971 S 10/2002 Lillelund et al.
 6,667,442 B1 * 12/2003 Hilligoss H02G 7/053
 174/174
 7,318,567 B2 * 1/2008 Mori A47B 21/06
 24/339
 D571,190 S 6/2008 Spadotto
 D731,428 S * 6/2015 Sorensen D13/132
 D747,281 S 1/2016 Andresen
 9,679,682 B2 * 6/2017 Wall H01B 17/145
 2008/0057215 A1 * 3/2008 McCollough H01B 19/04
 427/457

FOREIGN PATENT DOCUMENTS

CA 2778556 A1 * 4/2011 H01B 17/16
 WO WO 2017018892 A1 * 2/2017 A01K 3/005

OTHER PUBLICATIONS

Valley Farm Supply/Gallagher Electric Fence Superstore; retrieve from website on Apr. 22, 2016; <https://gallagherelectricfencing.com/products/gallagher-porcelain-doughnut-insulator>, 2 pages.
 Wood Post Staple-on Insulator; retrieved from website on Apr. 22, 2016; <https://am.gallagher.com/nz/products/electric-fencing/fencing/permanent-fencing/insulators/G71208>; 1 page.
 www.nemtek.com; Offset Brackets, retrieved from the website on Apr. 22, 2016; http://perimeterlarm.se/downloads/produkter/elektriskt_sakerhetsstangsel/GPA_Nemtek_Electric_Fence.pdf, p. 25.
 Zareba Systems. <URL: <http://www.zarebasystems.com/electrobraid-roller-post-insulators-irollb10-ebc>>. Dec. 25, 2016, Roller Post Insulators.

* cited by examiner

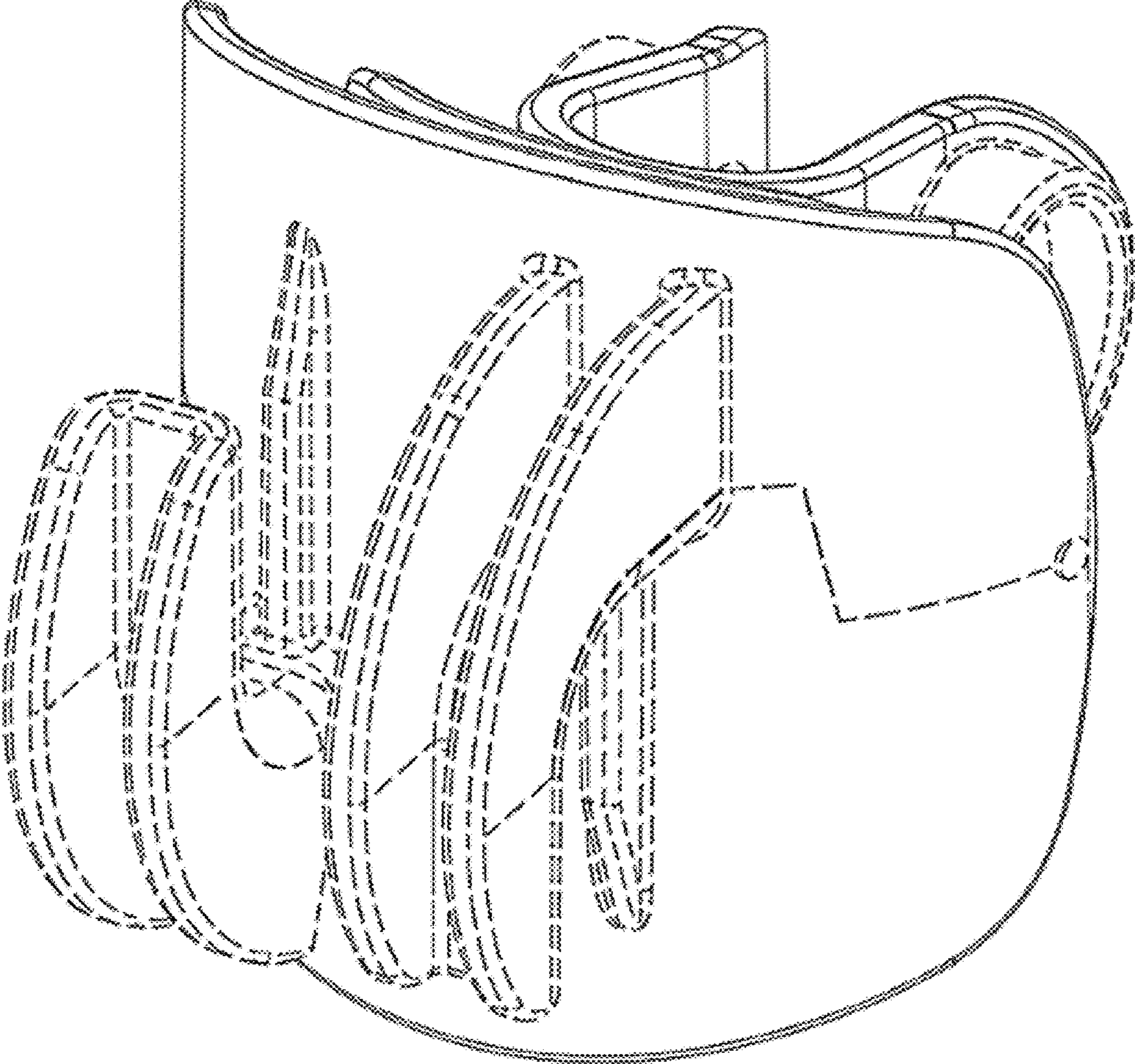


FIG. 1

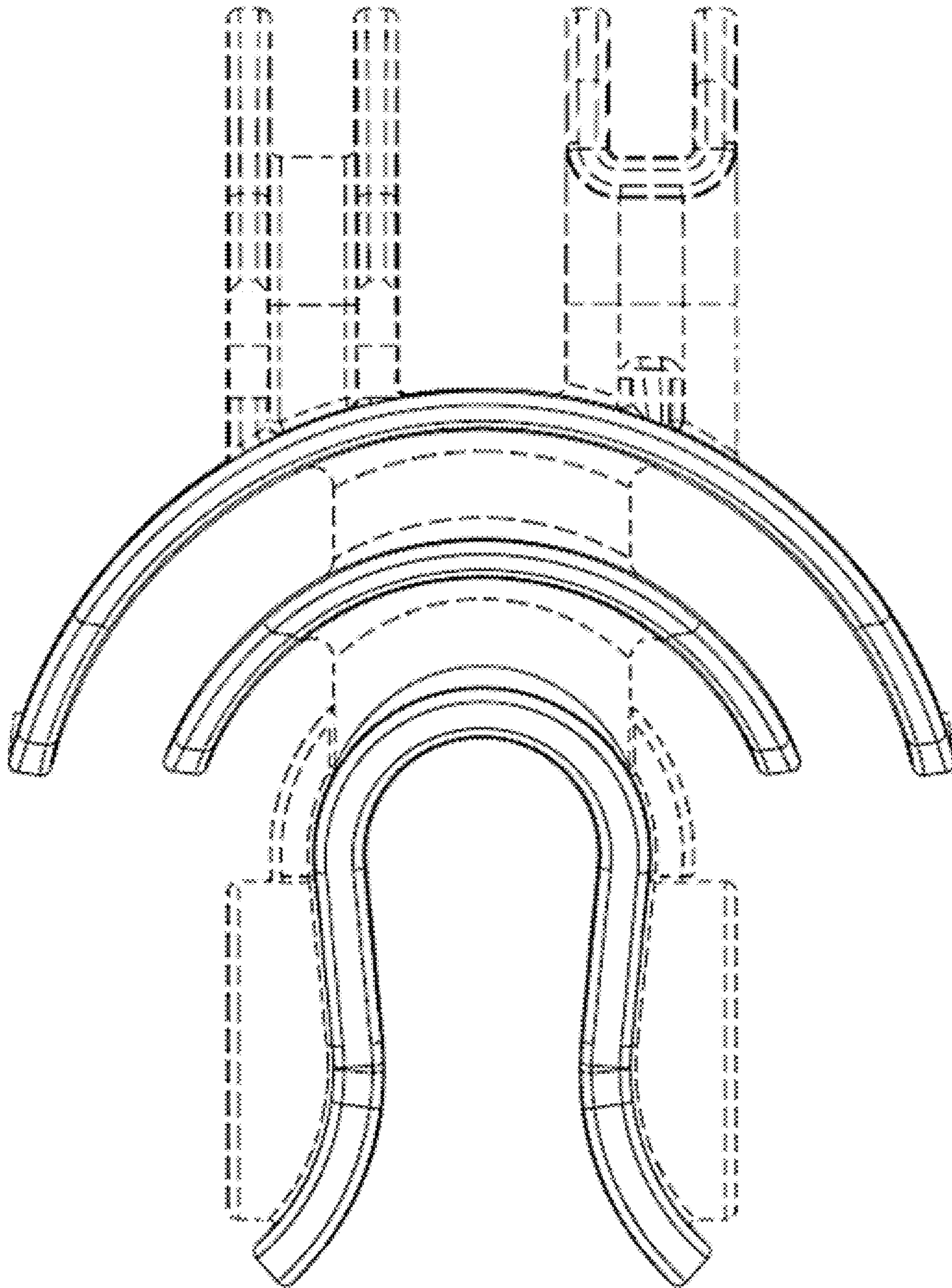


FIG. 2

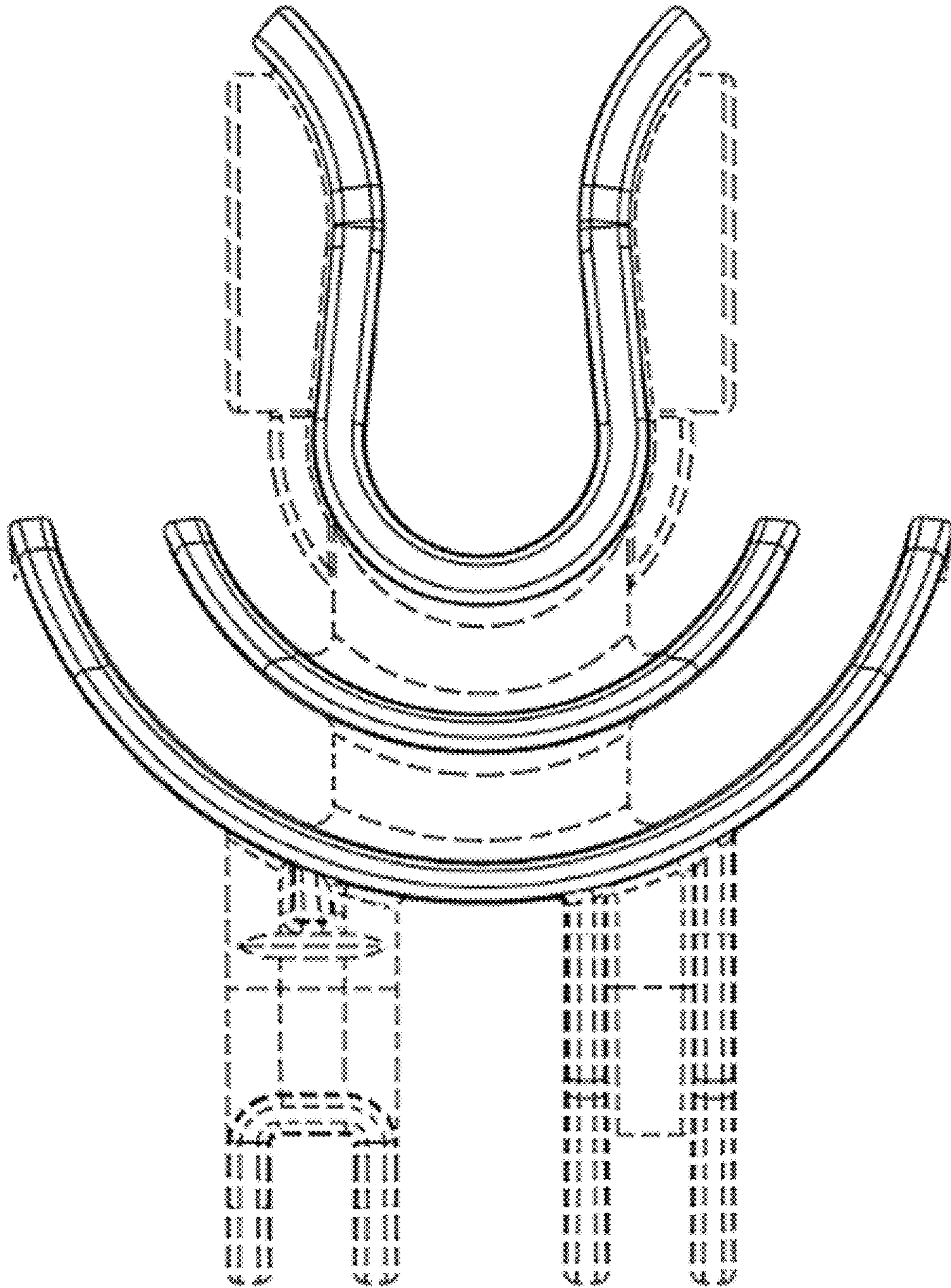


FIG. 3

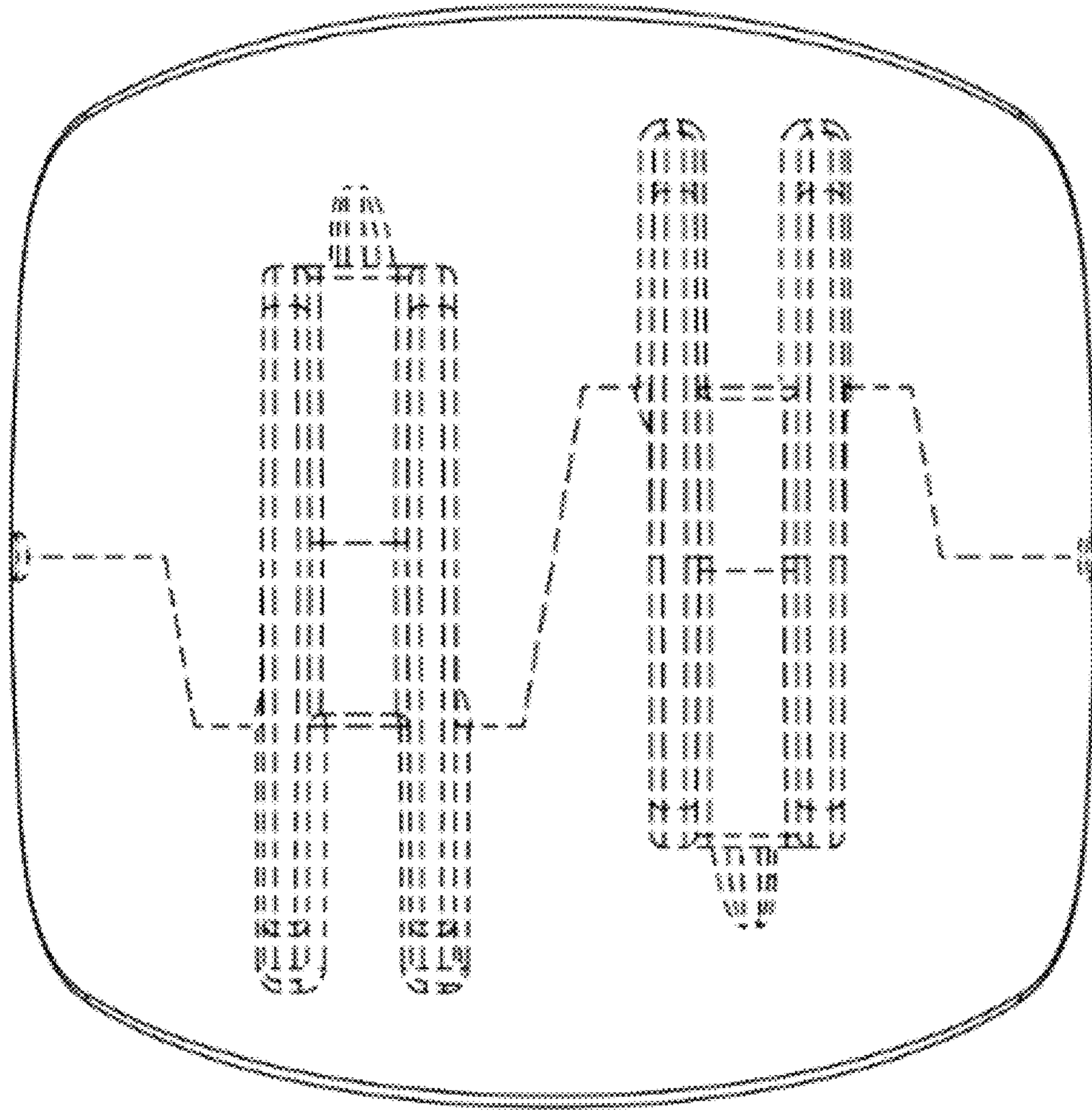


FIG. 4

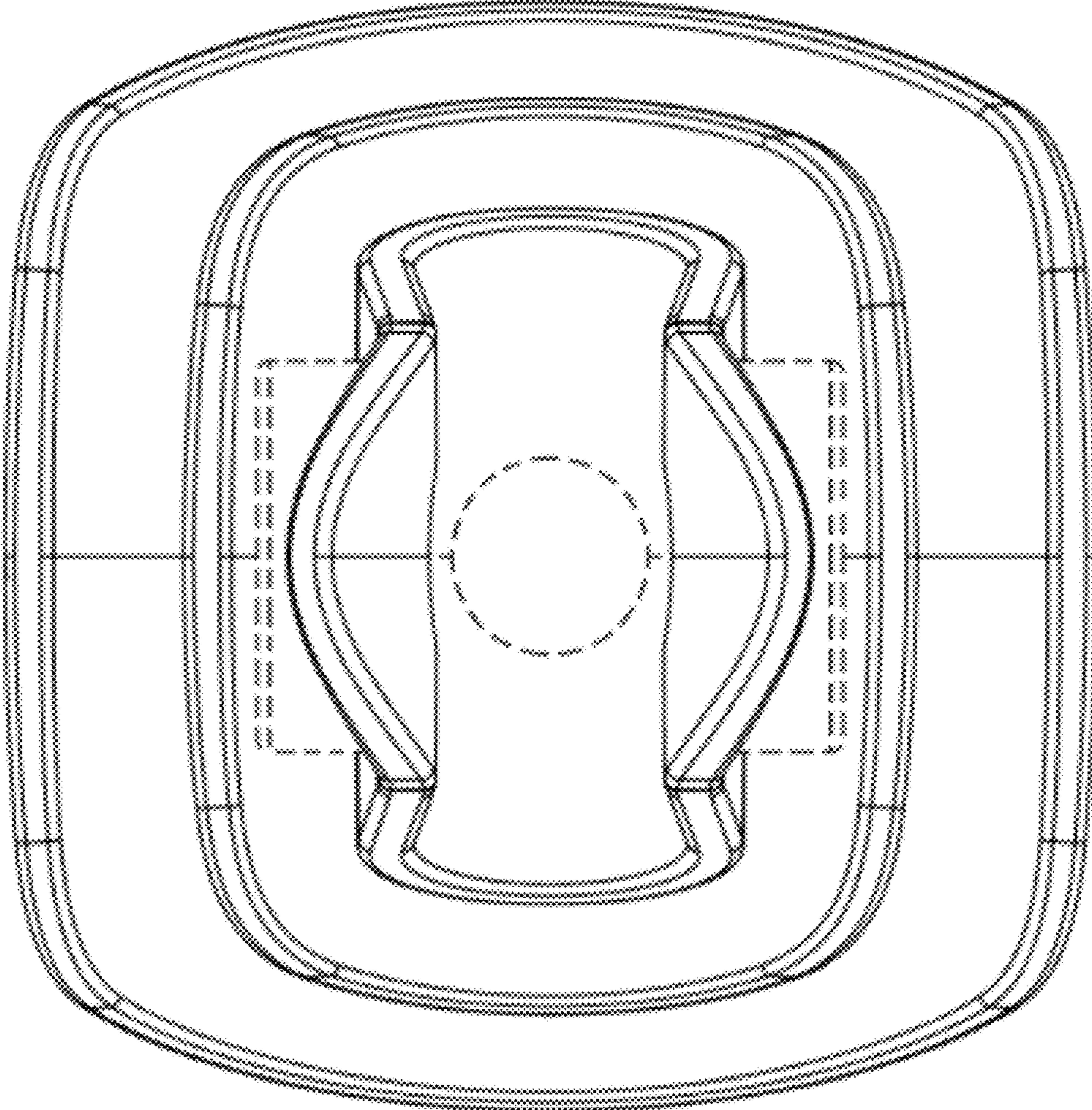


FIG. 5

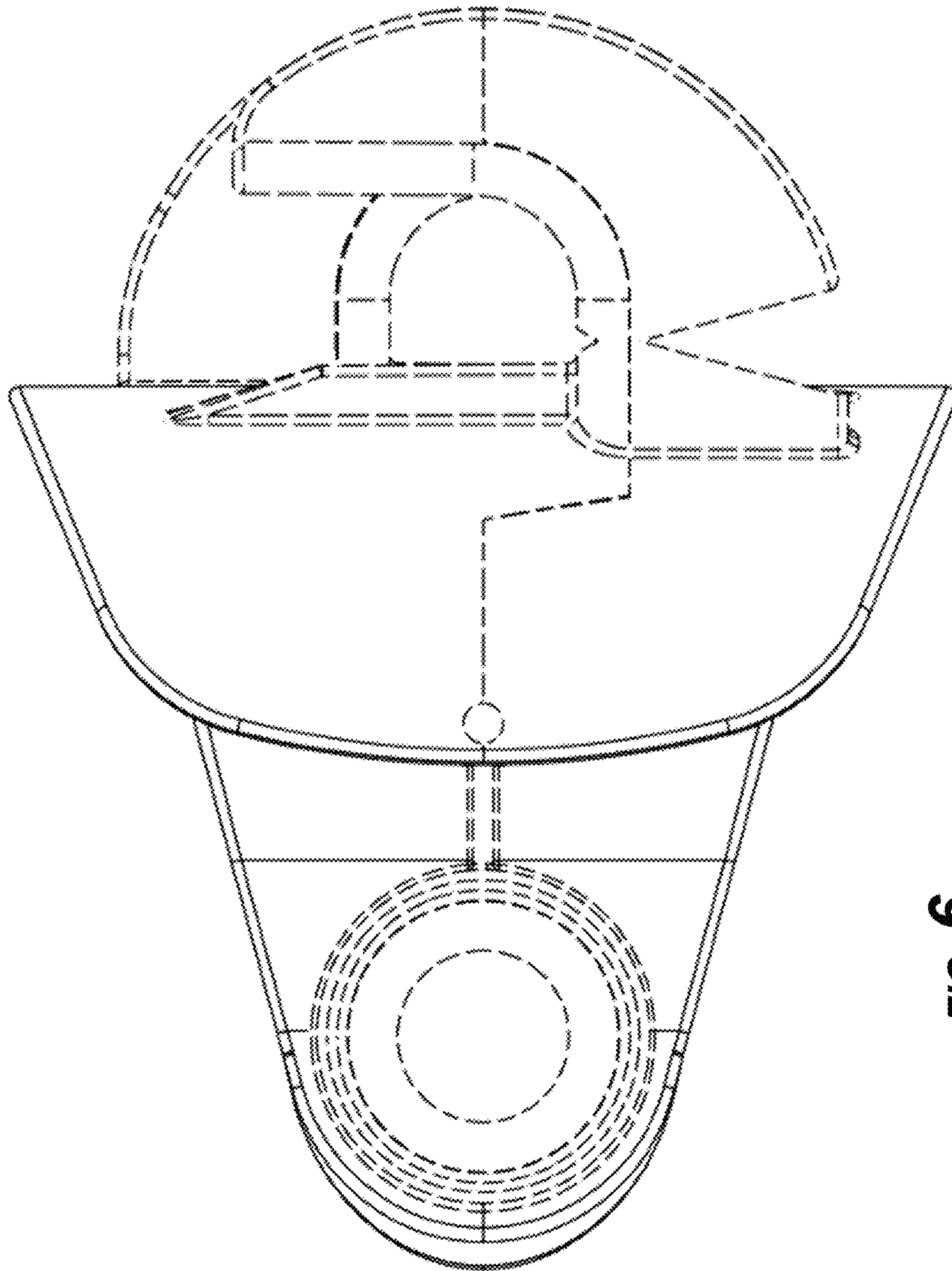


FIG. 6

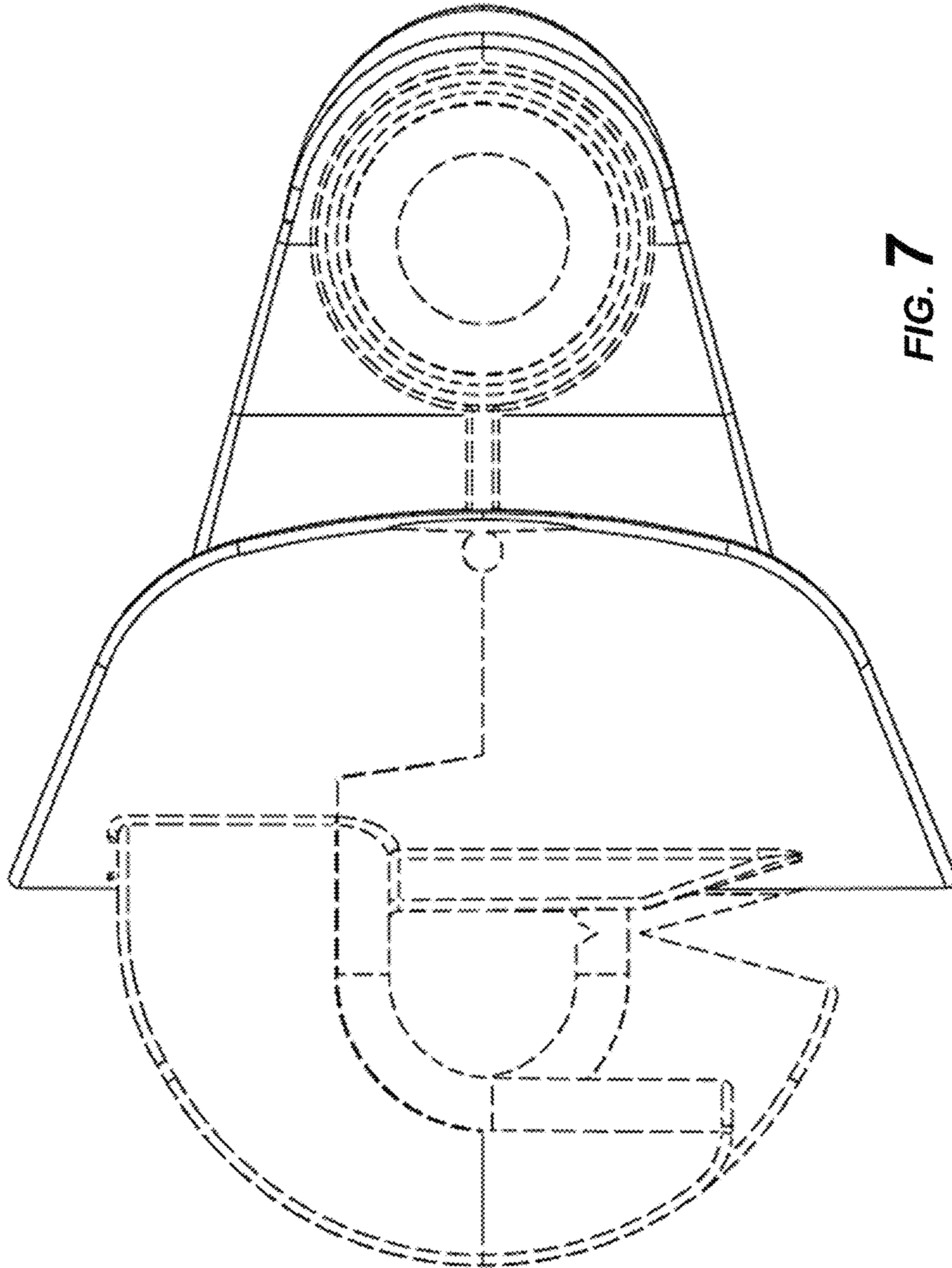


FIG. 7