



US00D822603S

(12) **United States Design Patent**
Takahashi et al.

(10) **Patent No.:** **US D822,603 S**
(45) **Date of Patent:** **** Jul. 10, 2018**

(54) **BATTERY COVER**

(71) Applicant: **Fujikura Rubber Ltd.**, Koto-ku, Tokyo (JP)

(72) Inventors: **Masaki Takahashi**, Saitama (JP);
Tsutomu Narita, Saitama (JP); **Hiroshi Sakama**, Saitama (JP)

(73) Assignee: **FUJIKURA RUBBER LTD.**, Tokyo (JP)

(**) Term: **15 Years**

(21) Appl. No.: **29/573,867**

(22) Filed: **Aug. 10, 2016**

(30) **Foreign Application Priority Data**

Jun. 2, 2016 (JP) 2016-011857

(51) **LOC (11) Cl.** **13-02**

(52) **U.S. Cl.**
USPC **D13/119**

(58) **Field of Classification Search**
USPC D13/102–106, 110, 118–119, 184
CPC Y02E 60/12; Y02E 60/122; Y02E 60/124;
Y02E 60/50; H01M 2/02; H01M 2/022;
H01M 2/0202; H01M 2/0207; H01M
2/0212; H01M 2/1061; H01M 2/1022;
H01M 2/1055; H01M 2/1066; H01M
2/105; H01M 2/204; H01M 10/4257;
H01M 10/0436; H01M 10/48
See application file for complete search history.

(56) **References Cited**

U.S. PATENT DOCUMENTS

2,148,510 A * 2/1939 Simison H01M 2/0262
106/282
3,993,378 A * 11/1976 Berkus B60R 16/04
180/68.5
4,225,655 A * 9/1980 Pesce H01M 2/1072
206/811
D421,594 S * 3/2000 Knop D13/103

D643,376 S * 8/2011 Naumann D13/160
D682,202 S * 5/2013 Weaver, Jr. D13/108
D687,372 S * 8/2013 Tang D13/104
D699,668 S * 2/2014 Kasaba D13/103
D708,568 S * 7/2014 Fujita D13/101
D721,328 S * 1/2015 Freeman D13/110
2009/0130530 A1 * 5/2009 Tanaka H01M 8/2475
429/515

(Continued)

OTHER PUBLICATIONS

WattSatt by Fujikura Rubber, article published on Mar. 29, 2016 on fareastgizmos.com, retrieved on Oct. 15, 2016, retrieved from the Internet URL: <http://fareastgizmos.com/uncategorized/wattsatt-magnesium-air-battery-from-fujikura-rubber-can-fully-charge-30-smart-phones-using-2-l-of-water.php>.*

Primary Examiner — Rosemary K Tarcza

Assistant Examiner — Alison M Ofstun

(74) *Attorney, Agent, or Firm* — McCormick, Paulding & Huber LLP

(57) **CLAIM**

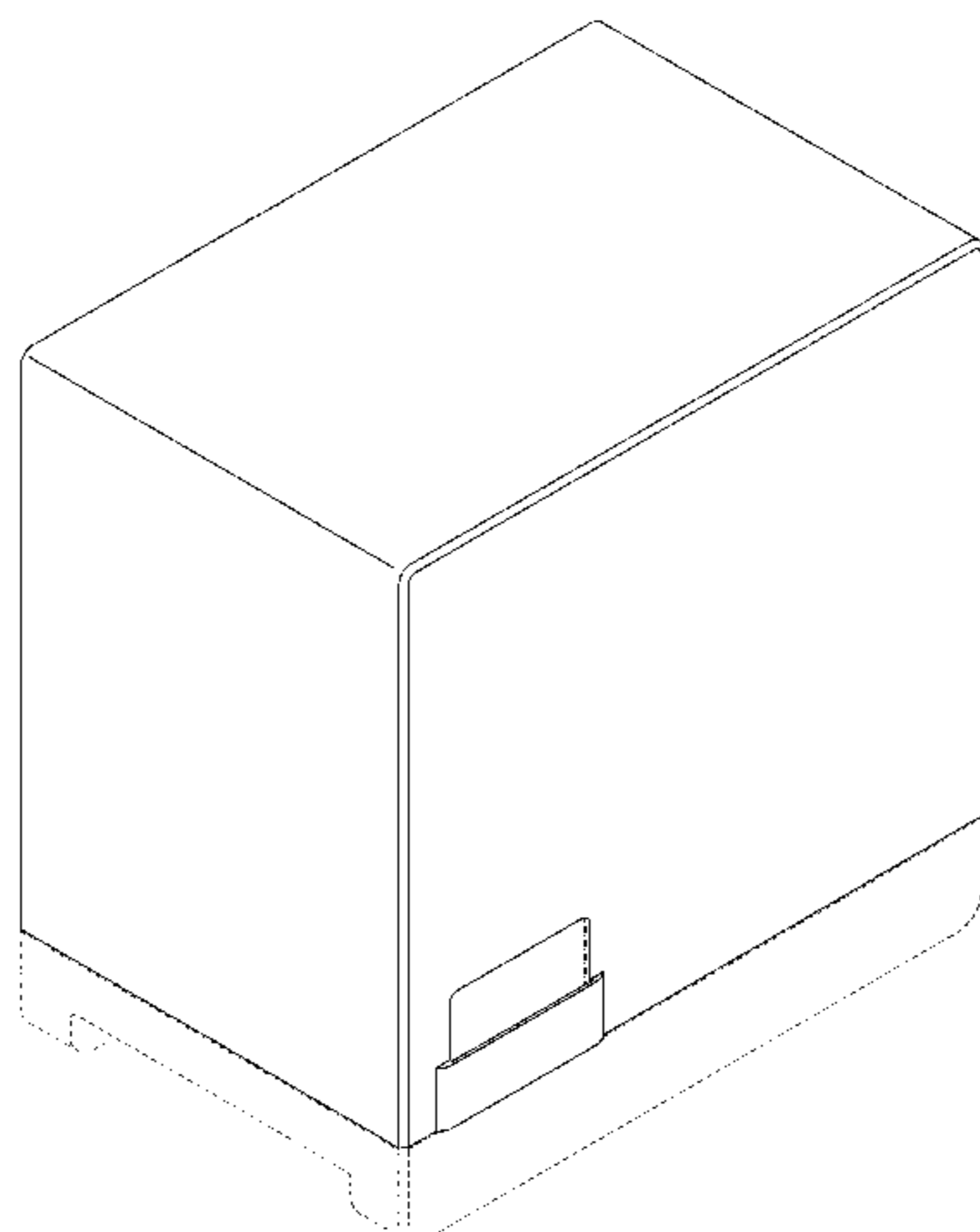
The ornamental design for a battery cover, as shown and described.

DESCRIPTION

FIG. 1 is a front, right perspective view of a battery cover, showing our new design;
FIG. 2 is a front view thereof;
FIG. 3 is a top view thereof;
FIG. 4 is a bottom view thereof;
FIG. 5 is a right side view thereof; the left side view being the same; and,
FIG. 6 is a perspective view thereof, shown in an environment of use.

The broken lines present in the drawings are included for the purpose of illustrating environmental subject matter, which forms no part of the claimed design.

1 Claim, 4 Drawing Sheets



(56)

References Cited

U.S. PATENT DOCUMENTS

2011/0101919 A1* 5/2011 Polk H01M 10/0525
320/118
2012/0141863 A1* 6/2012 Hagiwara H01G 11/08
429/163
2013/0209899 A1* 8/2013 Suzuki H01M 12/06
429/405
2016/0072163 A1* 3/2016 Tsuruta H01M 10/658
429/156
2016/0351863 A1* 12/2016 Reibling H01M 2/1072

* cited by examiner

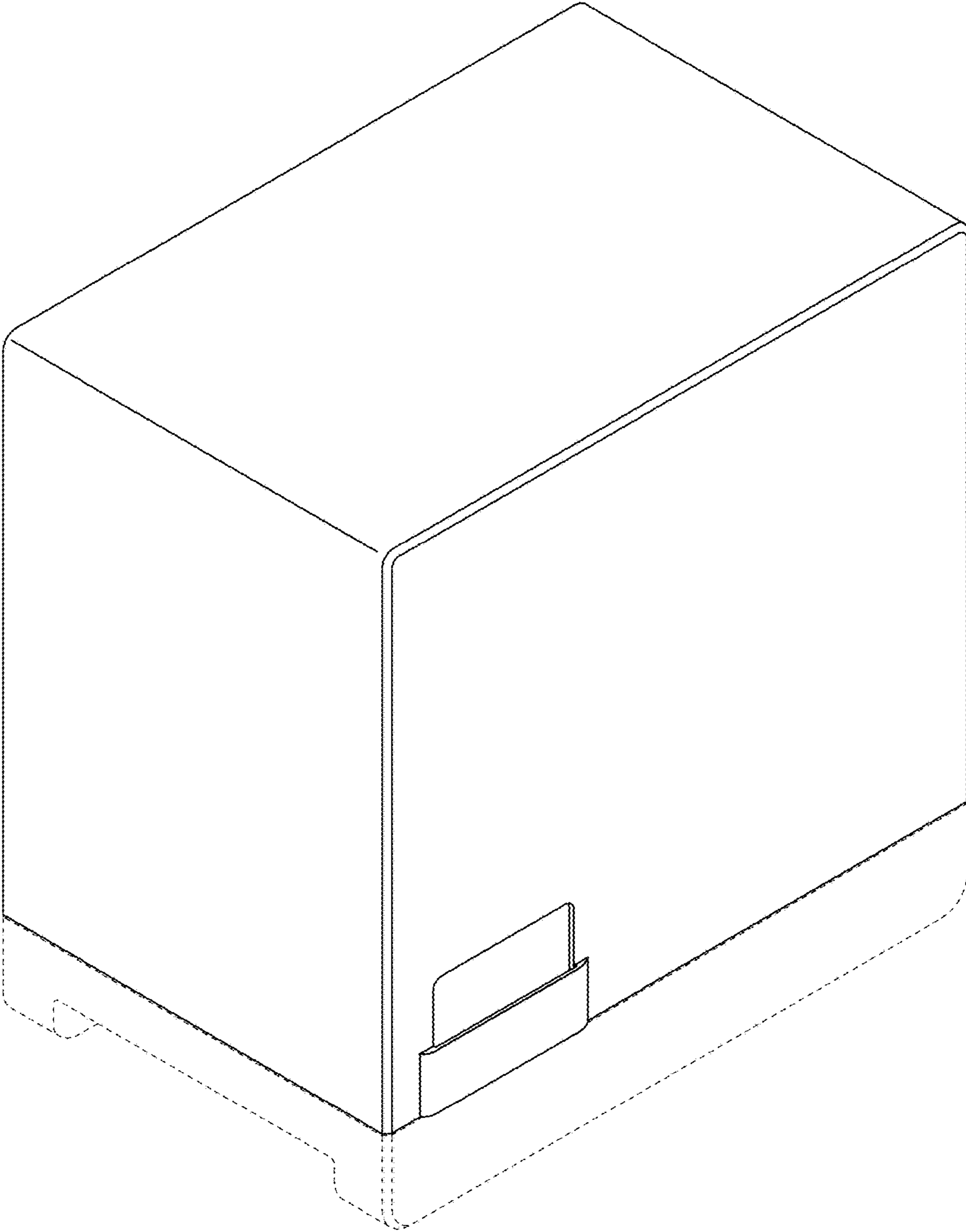


FIG. 1

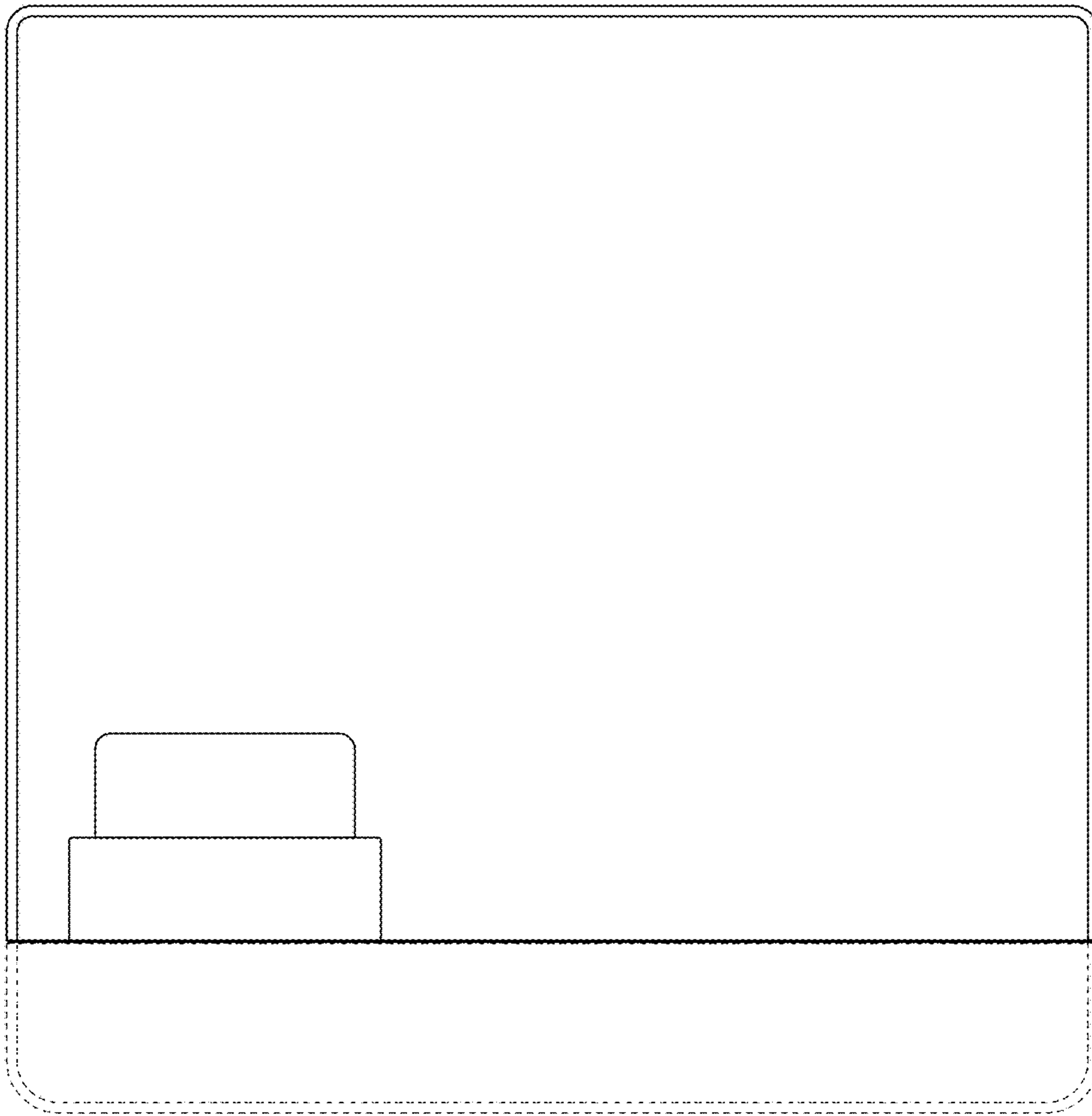


FIG. 2

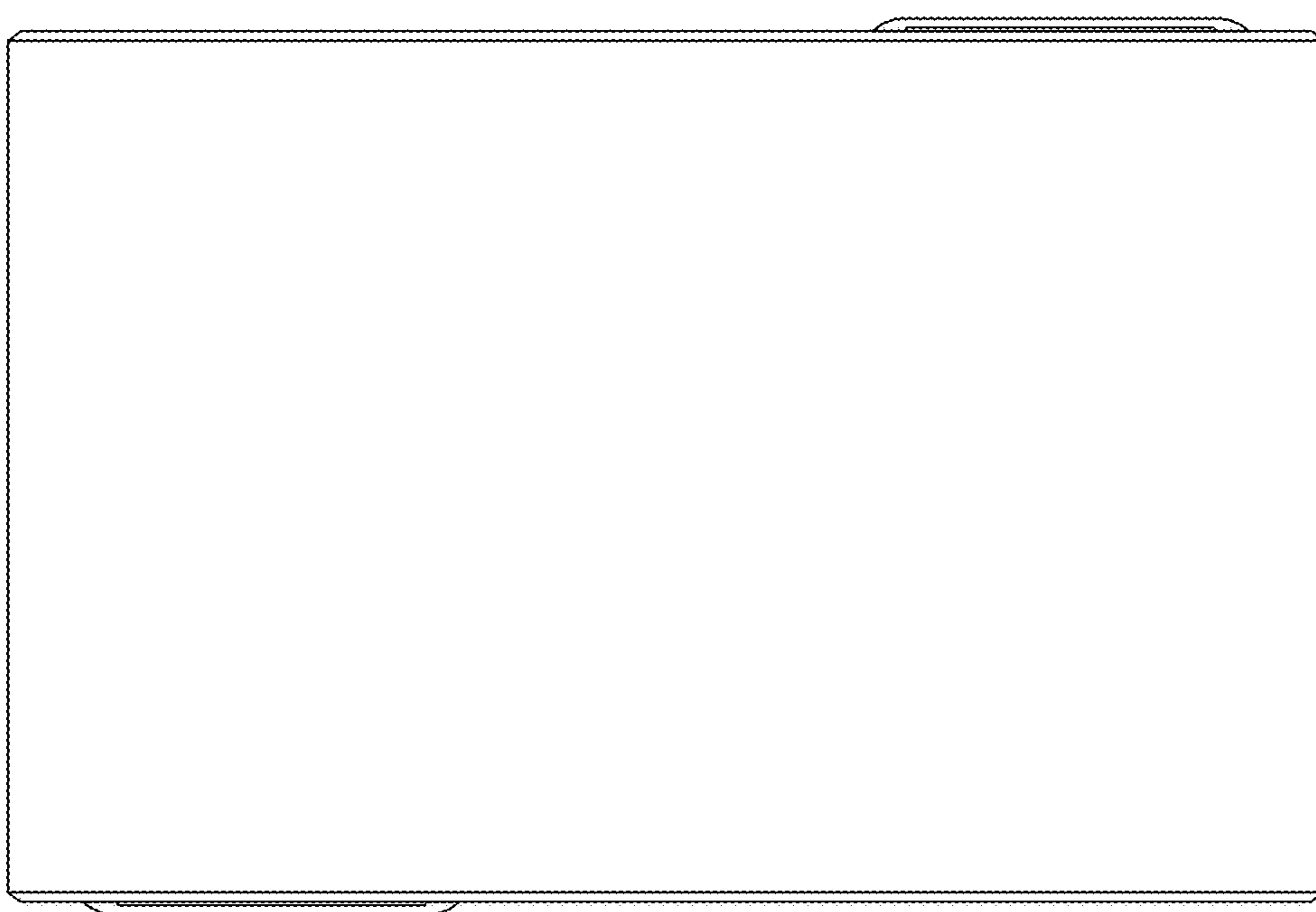


FIG. 3

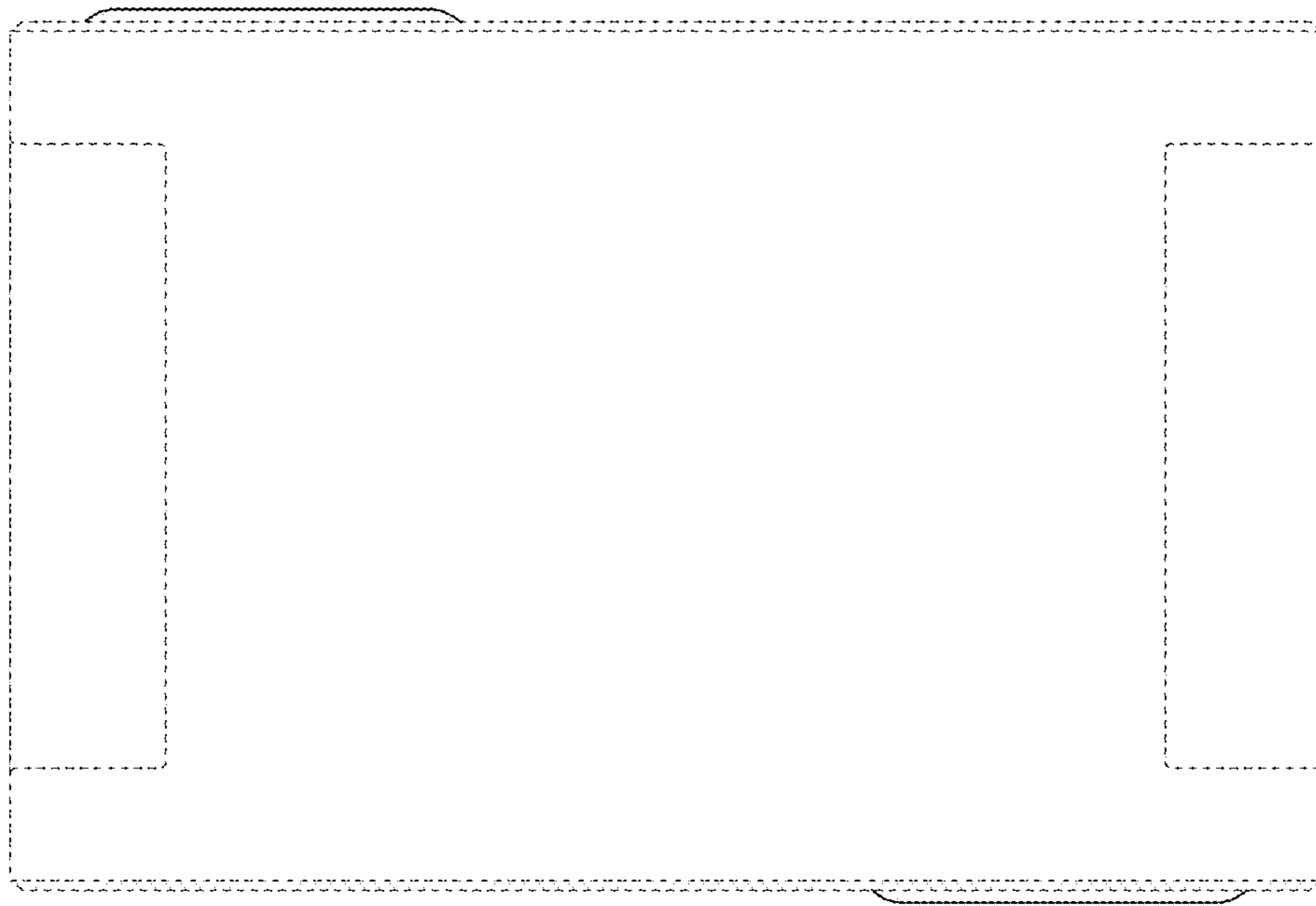


FIG. 4

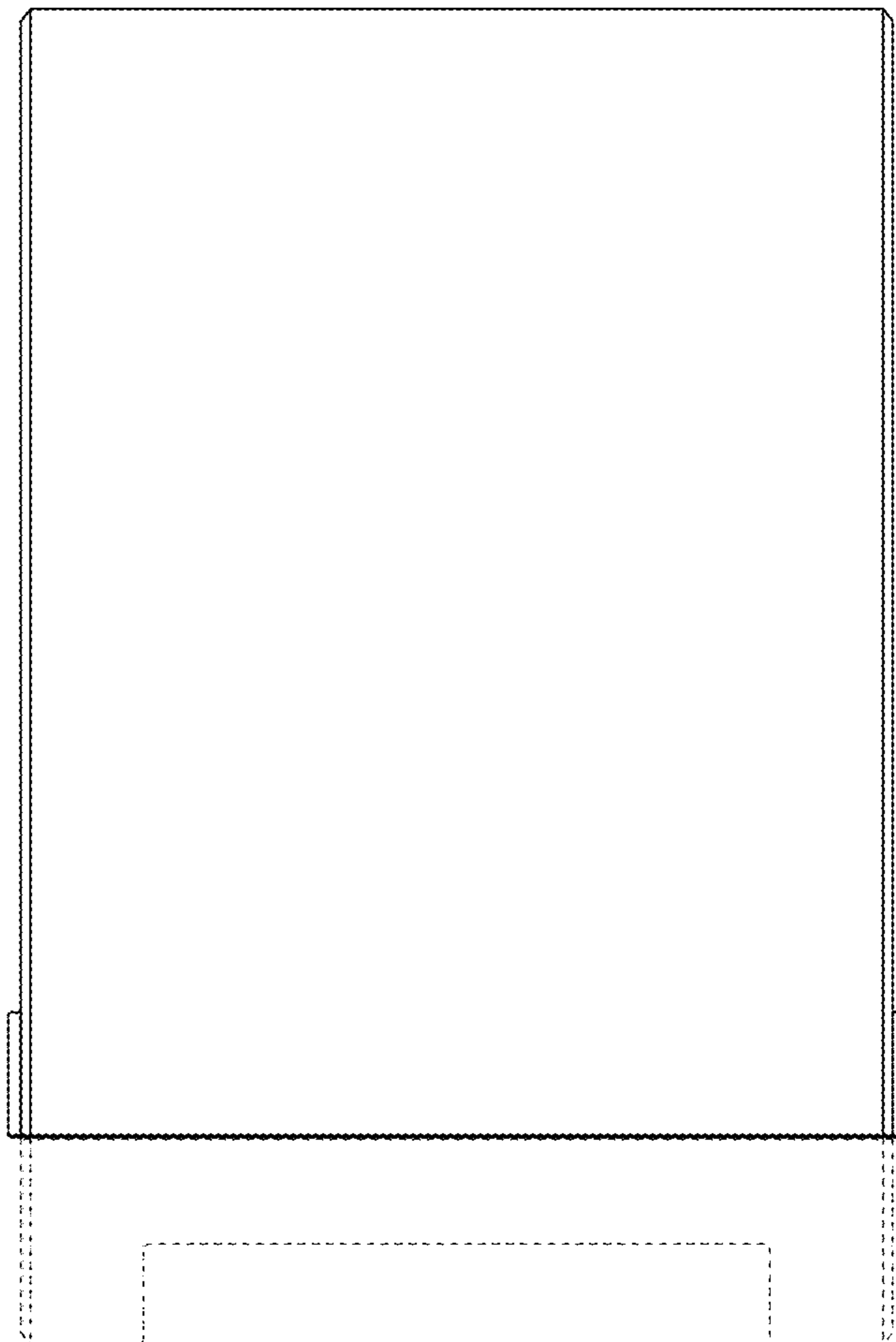


FIG. 5

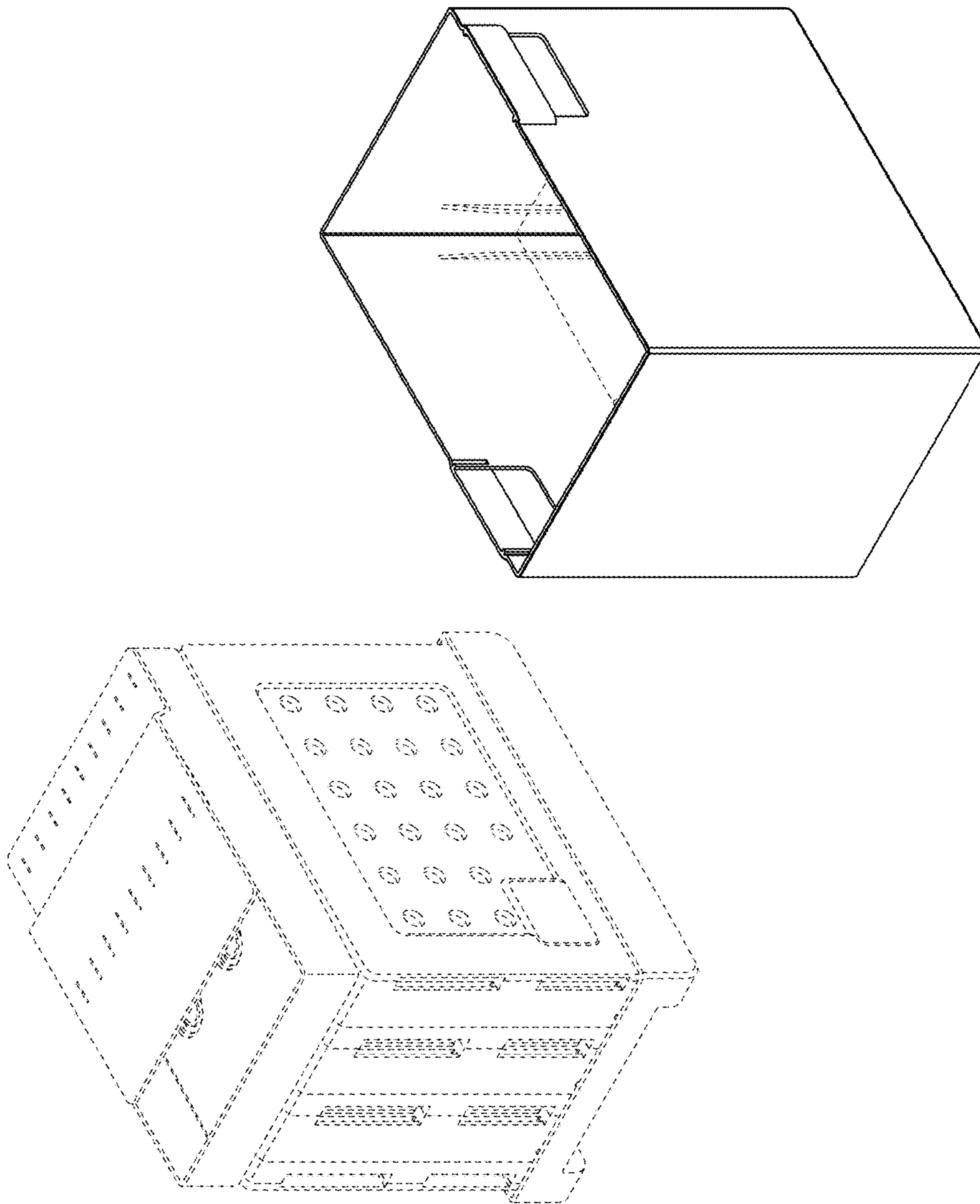


FIG. 6