



US00D822602S

(12) **United States Design Patent**
Berthilsson

(10) **Patent No.:** **US D822,602 S**
(45) **Date of Patent:** **** Jul. 10, 2018**

(54) **TRIBLADE**

FOREIGN PATENT DOCUMENTS

- (71) Applicant: **Winfoor AB**, Lund (SE)
- (72) Inventor: **Rikard Berthilsson**, Lund (SE)
- (73) Assignee: **Winfoor AB**, Lund (SE)
- (**) Term: **15 Years**

DE	10 2009 040 515 A1	3/2011
EP	0 064 742 A2	11/1982
EP	0 274 777 A1	7/1988
EP	2 006 537 A2	12/2008
WO	2007/045244 A1	4/2007
WO	2011/053177 A1	5/2011
WO	2014/006542 A2	1/2014

- (21) Appl. No.: **29/562,777**
- (22) Filed: **Apr. 28, 2016**

OTHER PUBLICATIONS

International Search Report dated Jan. 22, 2016, issued in corresponding International Application No. PCT/SE2015/050992, filed Sep. 23, 2015, 5 pages.

(30) **Foreign Application Priority Data**

* cited by examiner

Oct. 29, 2015 (EM) 002841577-0001
 Oct. 29, 2015 (EM) 002841577-0002

Primary Examiner — Daniel D Bui
Assistant Examiner — Andrew Kerr

- (51) **LOC (11) Cl.** **13-01**
- (52) **U.S. Cl.**
USPC **D13/115**

(74) *Attorney, Agent, or Firm* — Christensen O'Connor Johnson Kindness PLLC

- (58) **Field of Classification Search**
USPC D13/115, 112, 114
CPC F03D 9/002; F03D 1/0675
See application file for complete search history.

(57) **CLAIM**

The ornamental design for a triblade, as shown and described.

(56) **References Cited**

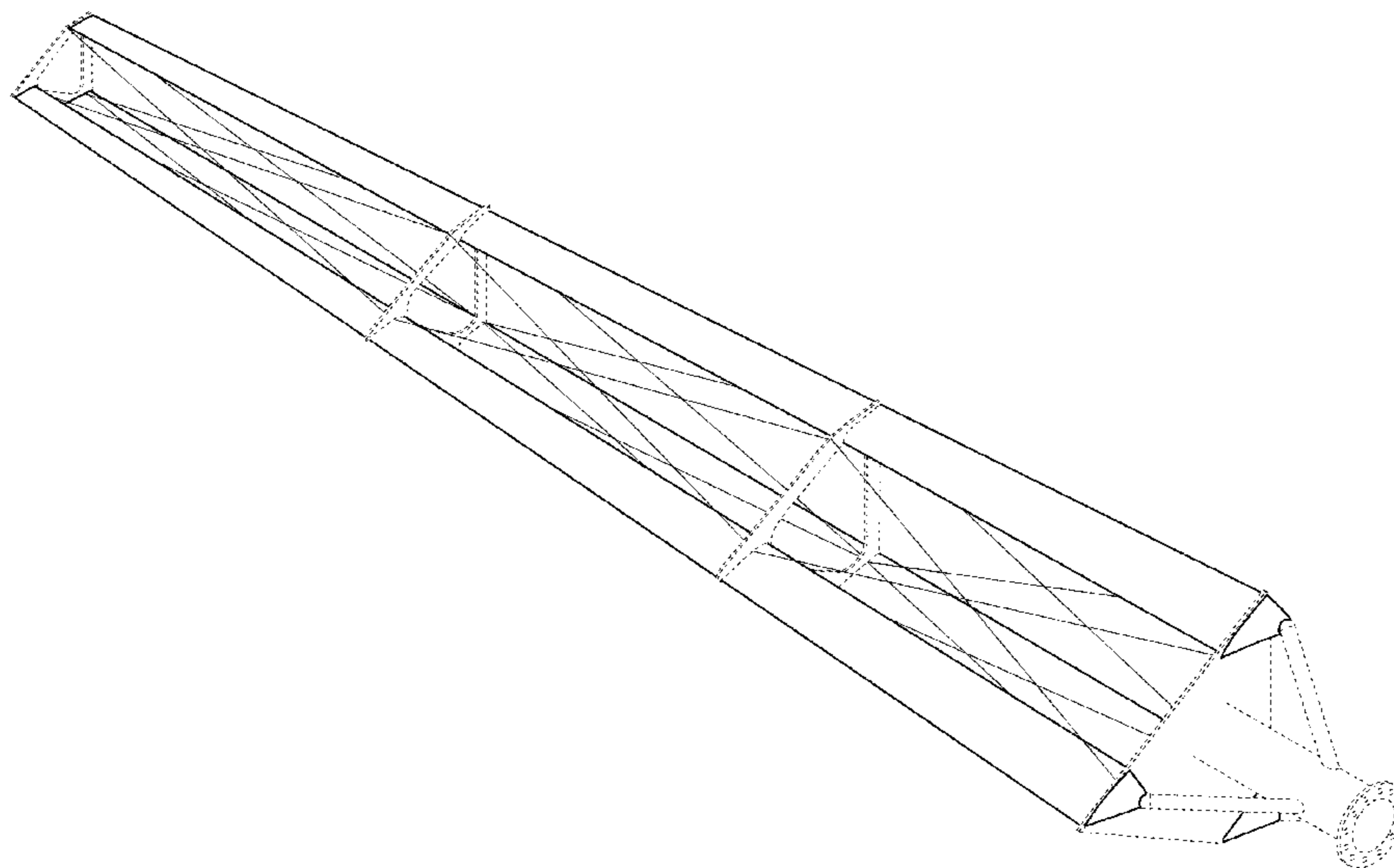
DESCRIPTION

U.S. PATENT DOCUMENTS

1,820,529 A	8/1931	Darrius	
4,081,221 A	3/1978	Andrews	
4,295,790 A	10/1981	Eggert, Jr.	
5,161,952 A	11/1992	Eggers, Jr.	
D511,495 S *	11/2005	Okubo	D13/115
D715,736 S *	10/2014	Gong	D13/112
D716,228 S *	10/2014	McCamley	D13/115
D722,965 S *	2/2015	Perless	D13/115
9,103,321 B1 *	8/2015	Bardia	F03D 9/002
9,169,830 B2 *	10/2015	Weitkamp	F03D 1/0675
D782,416 S *	3/2017	Paulin	D13/115
2012/0027608 A1	2/2012	Martinez	

FIG. 1 is a perspective view of a triblade showing my new design;
 FIG. 2 is another perspective view thereof;
 FIG. 3 is another perspective view thereof;
 FIG. 4 is a side view thereof;
 FIG. 5 is another side view thereof;
 FIG. 6 is a bottom view thereof; and,
 FIG. 7 is a top view thereof.
 The broken lines in FIGS. 1-7 depict unclaimed environmental subject matter and form no part of the claimed design.

1 Claim, 6 Drawing Sheets



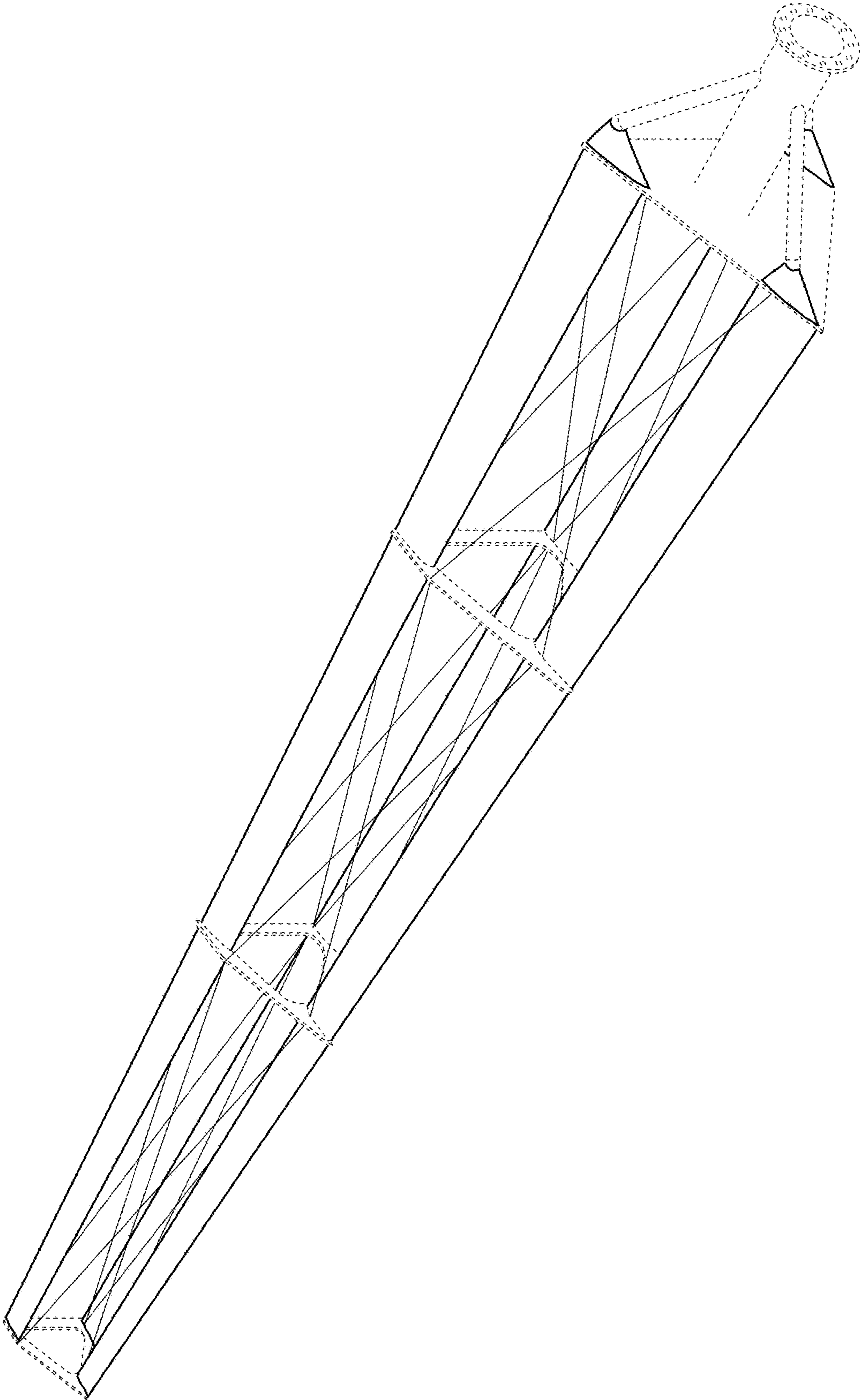


Fig. 1

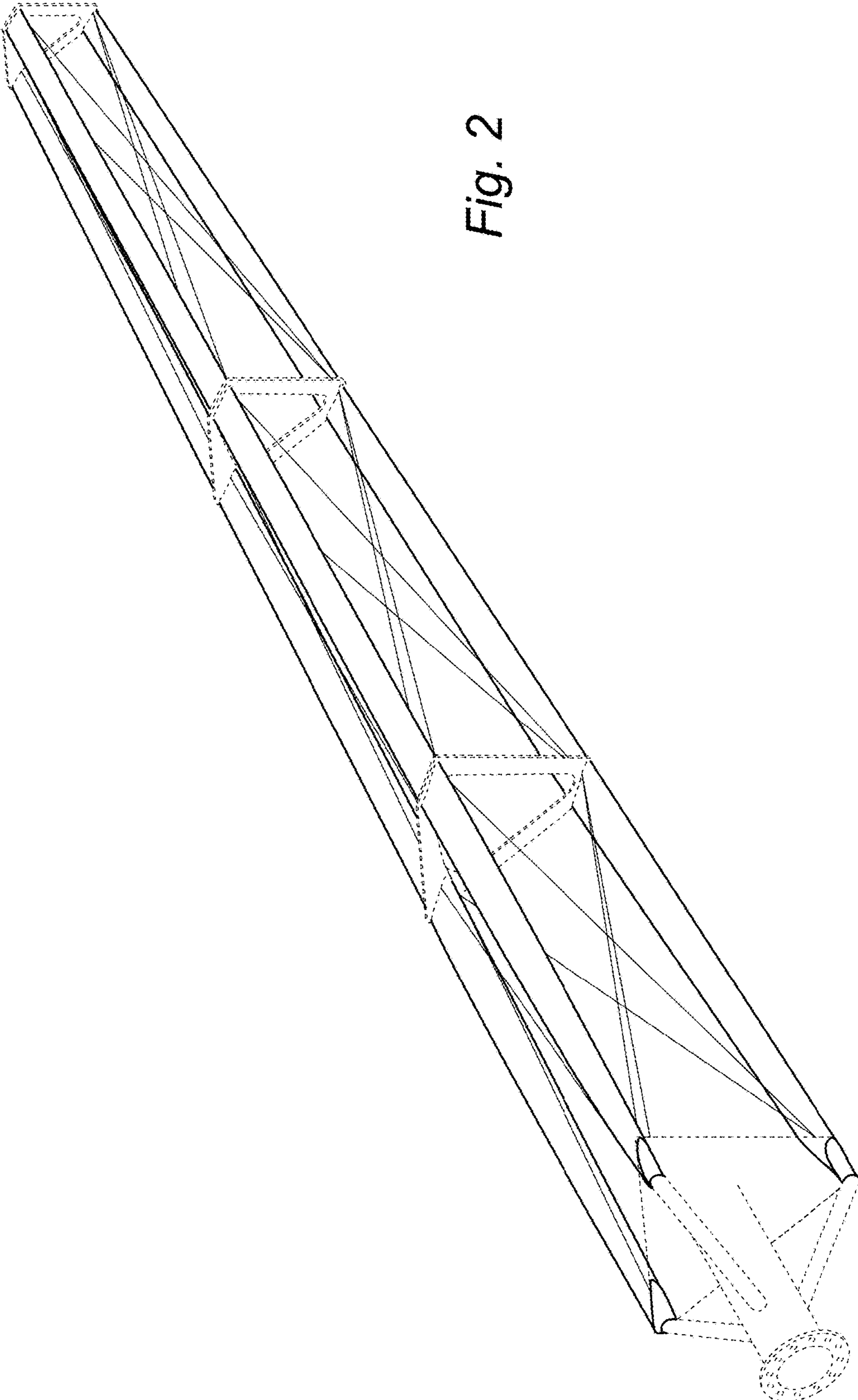


Fig. 2

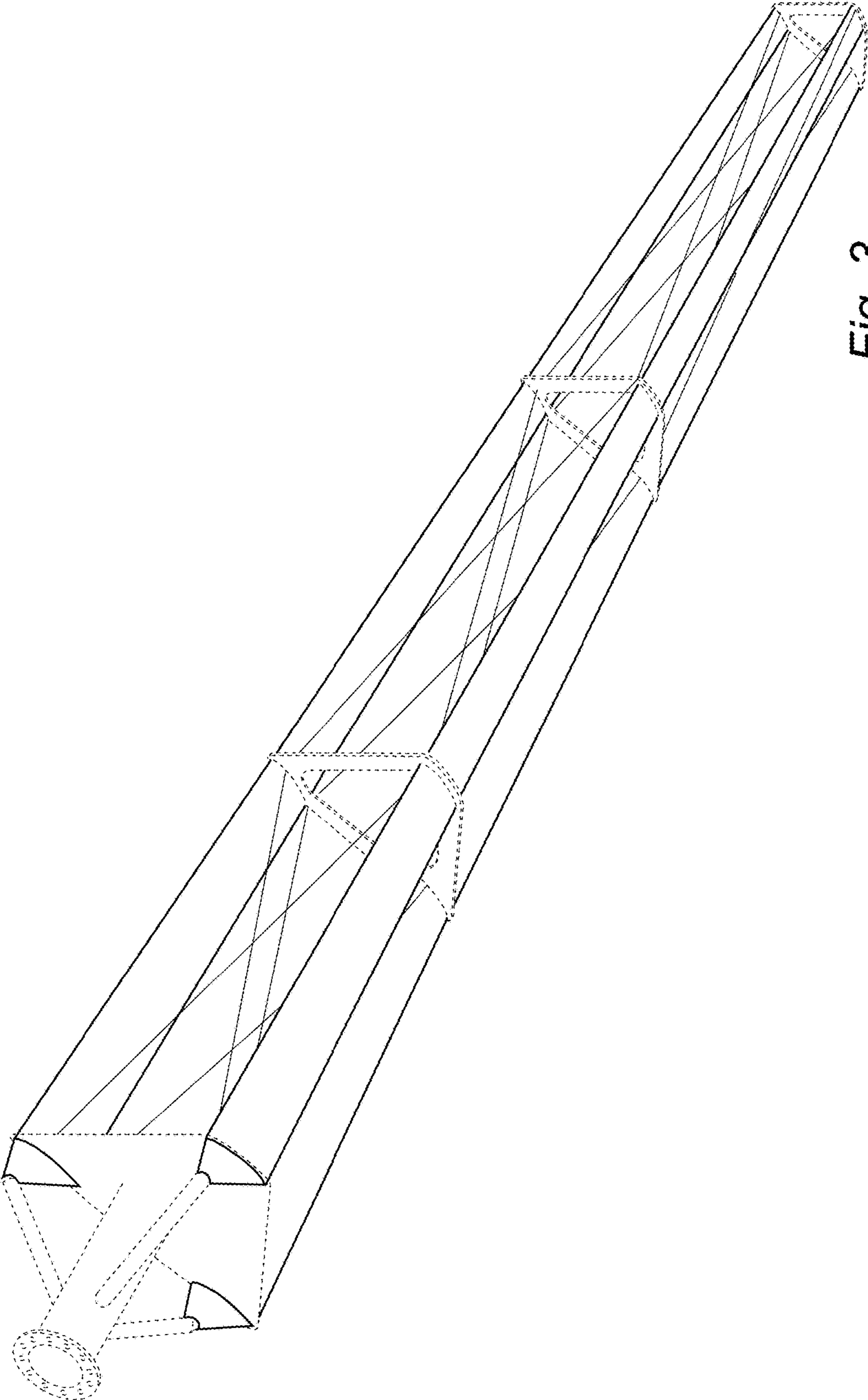


Fig. 3

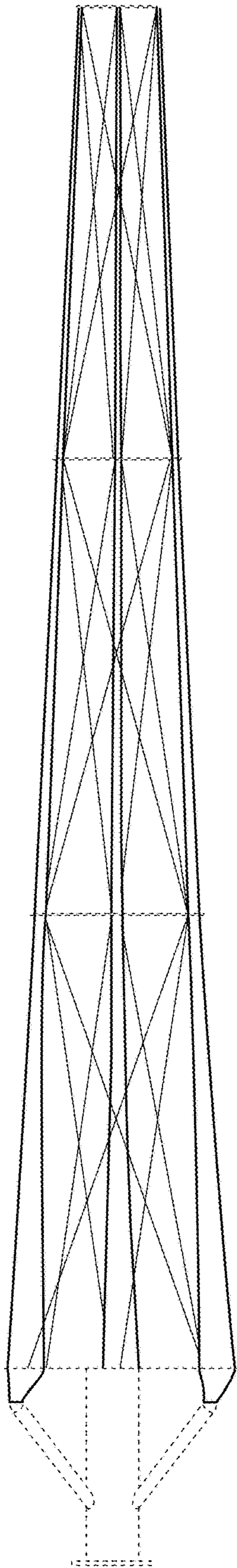


Fig. 4

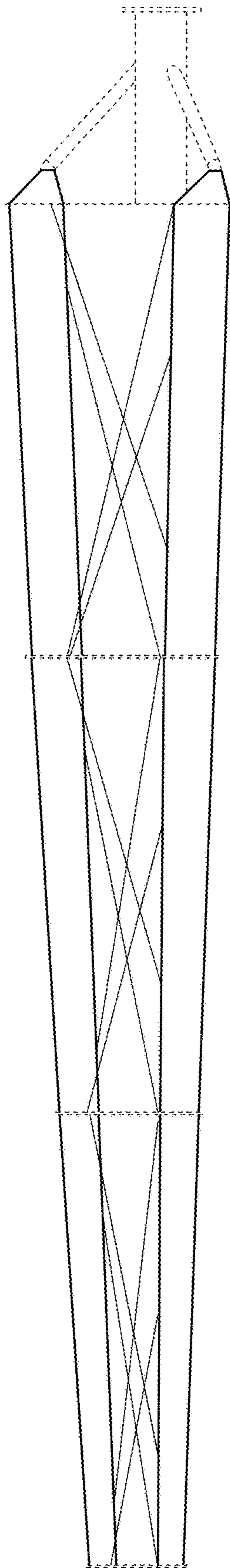


Fig. 5

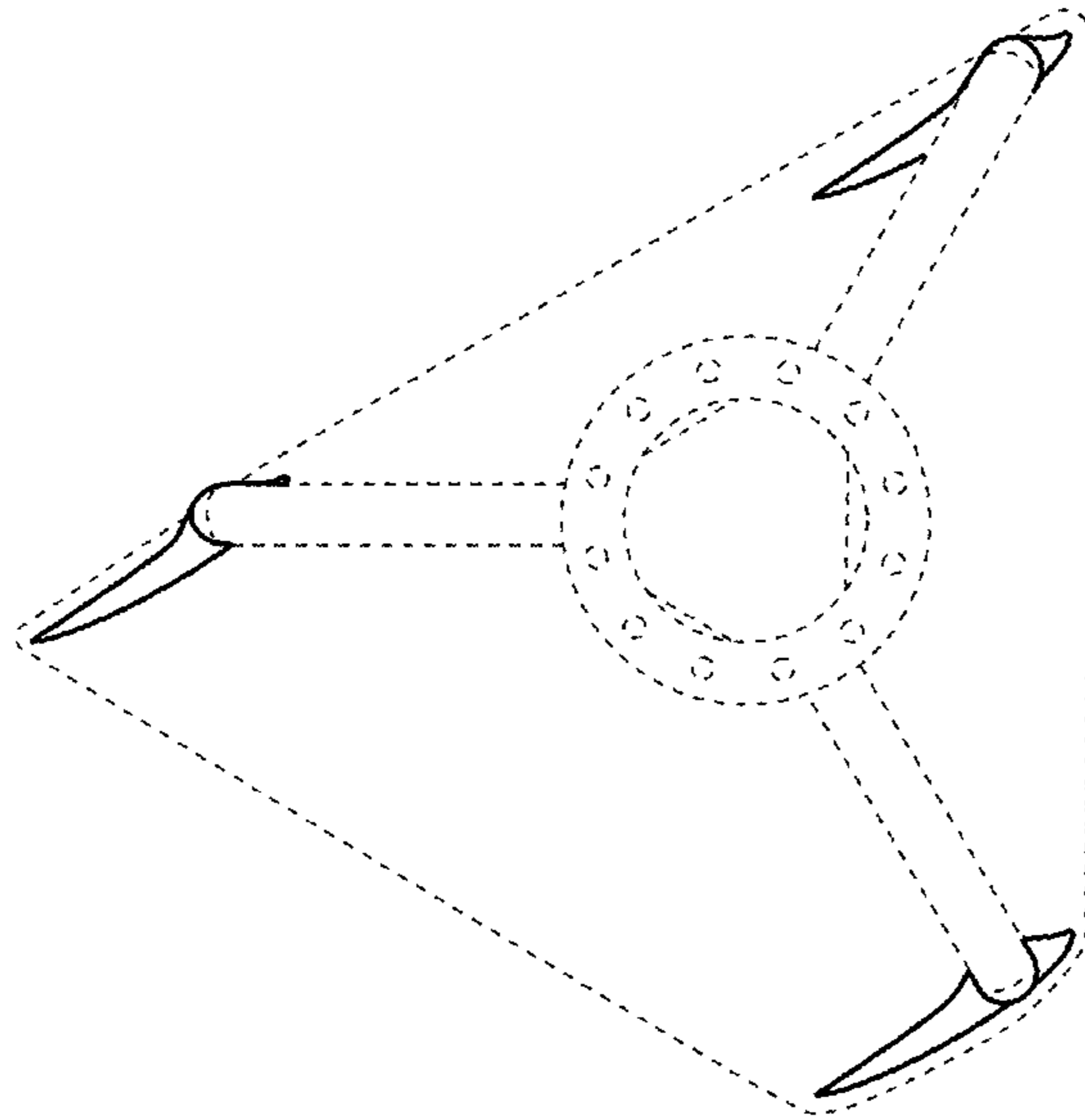


Fig. 6

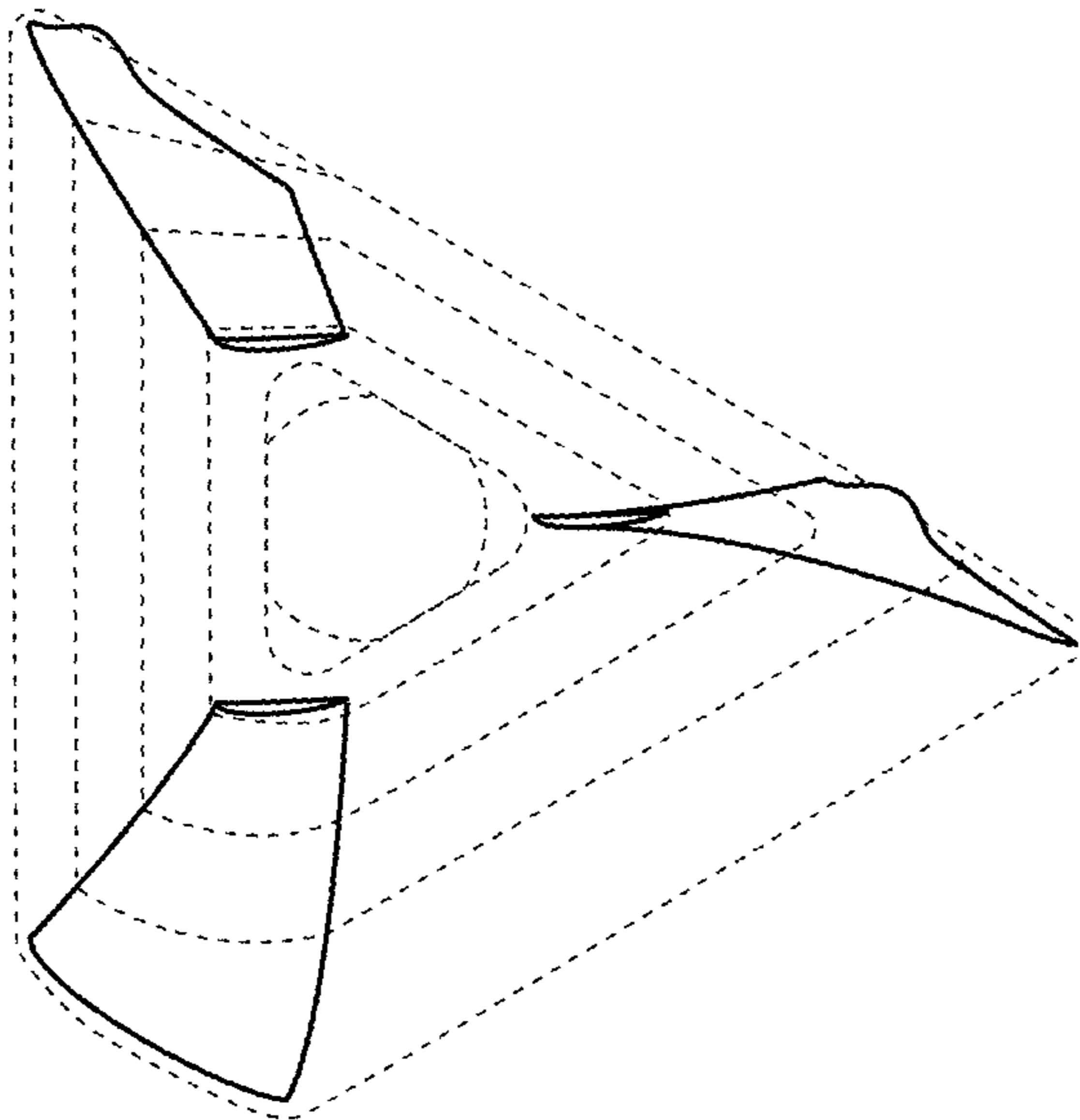


Fig. 7