



US00D822601S

(12) **United States Design Patent**
Xiong

(10) **Patent No.:** **US D822,601 S**

(45) **Date of Patent:** **** Jul. 10, 2018**

(54) **INVERTER**

(71) Applicant: **Shenzhen Segre Electronic Co., Ltd,**
Shenzhen, Guangdong (CN)

(72) Inventor: **Wanglong Xiong,** Fujian (CN)

(73) Assignee: **Shenzhen Segre Electronic Co., Ltd,**
Shenzhen (CN)

(**) Term: **15 Years**

(21) Appl. No.: **29/601,883**

(22) Filed: **Apr. 26, 2017**

(51) **LOC (11) Cl.** **13-03**

(52) **U.S. Cl.**
USPC **D13/110**

(58) **Field of Classification Search**
USPC D13/108, 110, 118, 123, 180, 182, 184,
D13/199; D14/299, 433
CPC . H02M 2001/0009; H02M 2001/0083; H02M
2001/009; H02M 1/10; H02M 3/02;
H02M 3/24; H02M 3/34; H02M 5/00;
H02M 5/02; H02M 5/40; H02M 5/42;
H02M 7/00; H02M 7/003; H02M 7/02;
H02M 7/04; H02M 7/42; H02M 7/44;
H02M 7/54; H02J 5/00; H05K 1/00;
H05K 1/0213; H05K 5/00; H05K 5/0004;
H05K 5/0008; H05K 5/0086; H05K
5/0247; H05K 5/03; H05K 5/04; H05K
7/00; H05K 7/20; H05K 7/20127; H05K
7/20136; H05K 7/20145; H05K 7/20154;
H05K 7/20172

See application file for complete search history.

(56) **References Cited**

U.S. PATENT DOCUMENTS

D495,296 S *	8/2004	Hussaini	D13/110
D674,755 S *	1/2013	Suzuki	D13/147
D765,028 S *	8/2016	Alesi	D13/110
D787,443 S *	5/2017	Chiang	D13/110
D788,037 S *	5/2017	Hung	D13/110
D789,293 S *	6/2017	Toivainen	D13/108

* cited by examiner

Primary Examiner — Daniel Bui

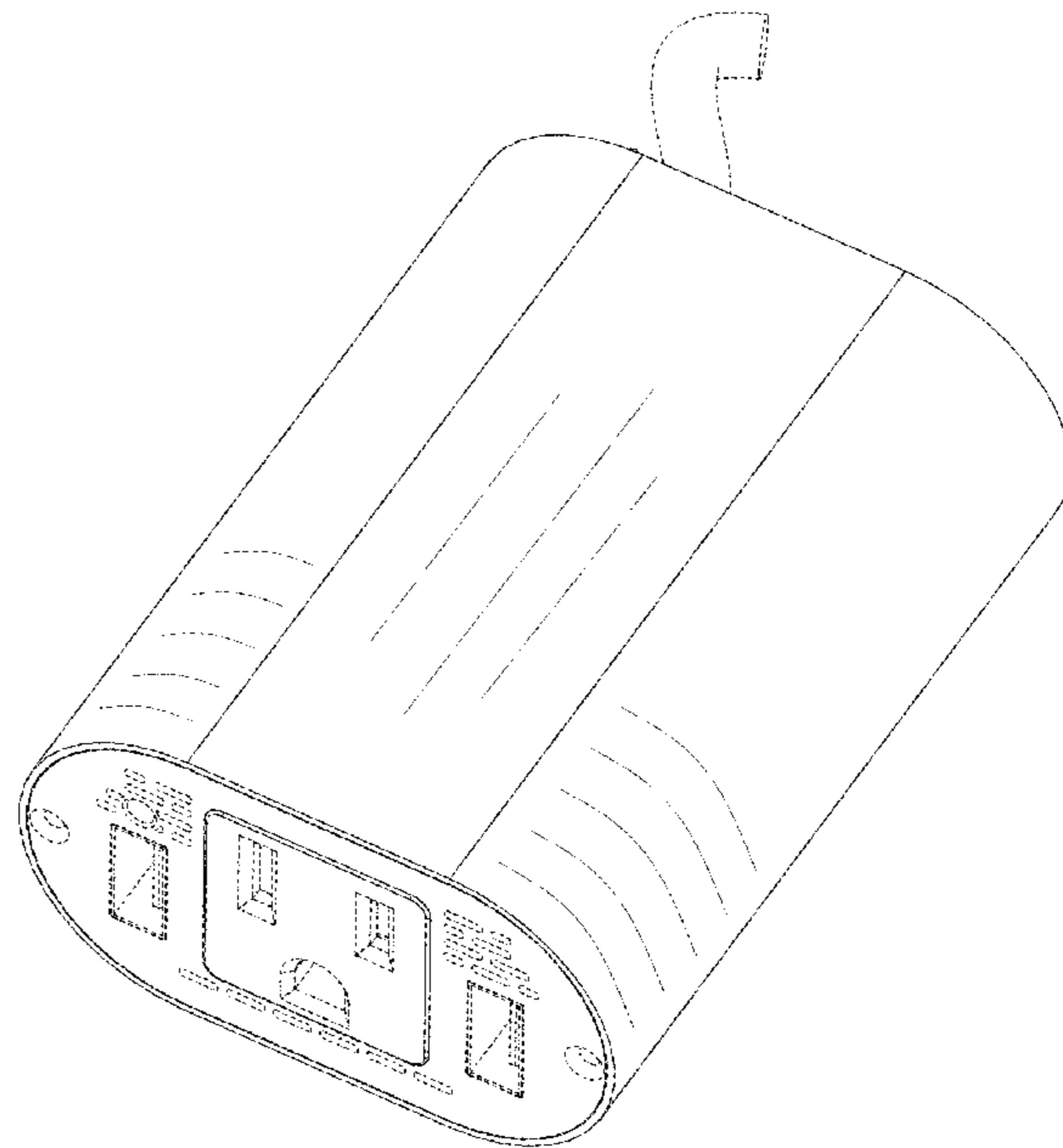
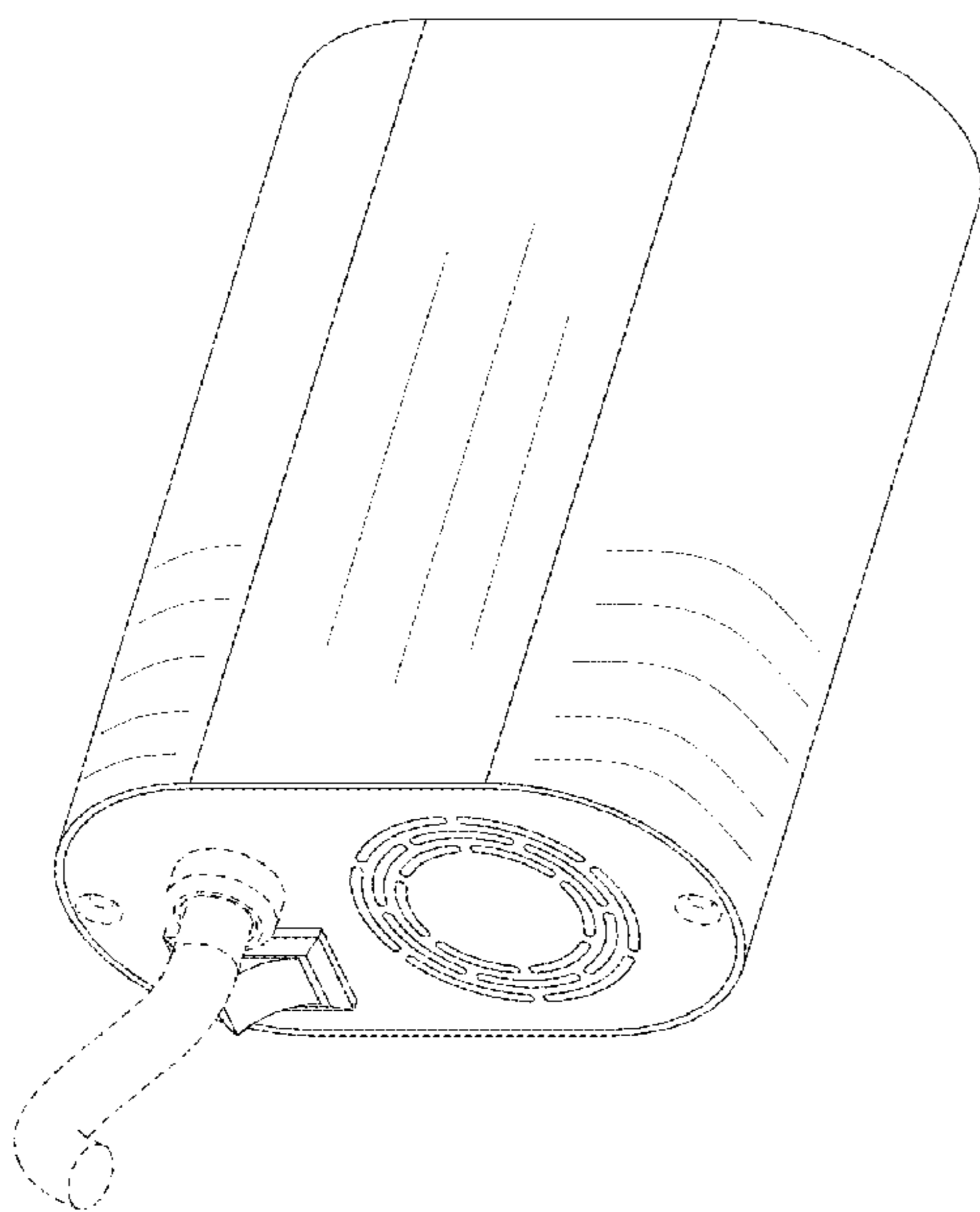
(57) **CLAIM**

The ornamental design for an inverter, as shown and described.

DESCRIPTION

FIG. 1 is a front elevational view of an inverter showing my new design;
FIG. 2 is a rear elevational view thereof;
FIG. 3 is a left side view thereof;
FIG. 4 is a right side view thereof;
FIG. 5 is a top plan view thereof;
FIG. 6 is a bottom plan view thereof;
FIG. 7 is a first perspective view thereof; and,
FIG. 8 is a second perspective view thereof.
The broken lines in the drawings illustrate portions of the inverter which form no part of the claimed design.

1 Claim, 8 Drawing Sheets



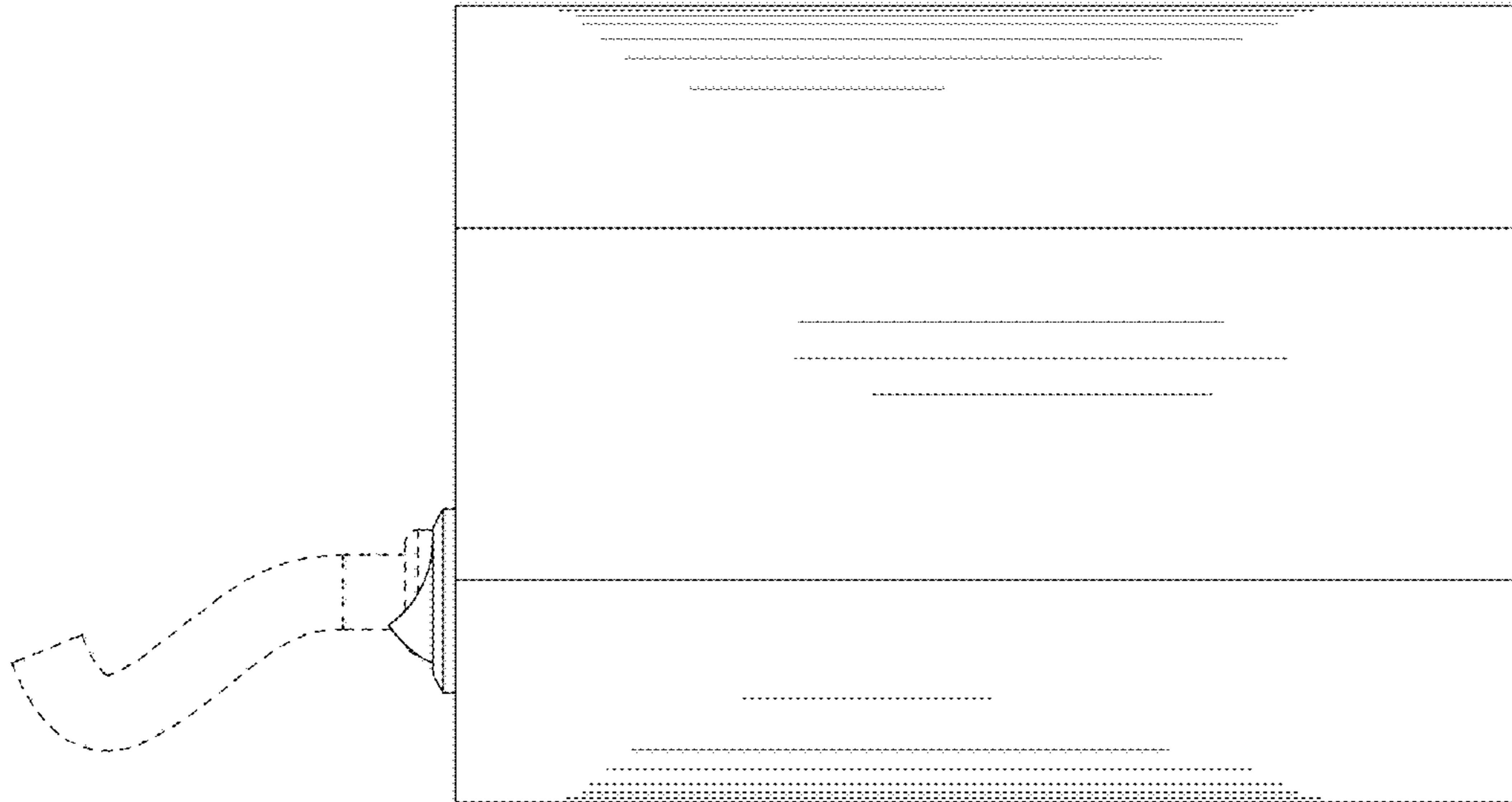


Fig. 1

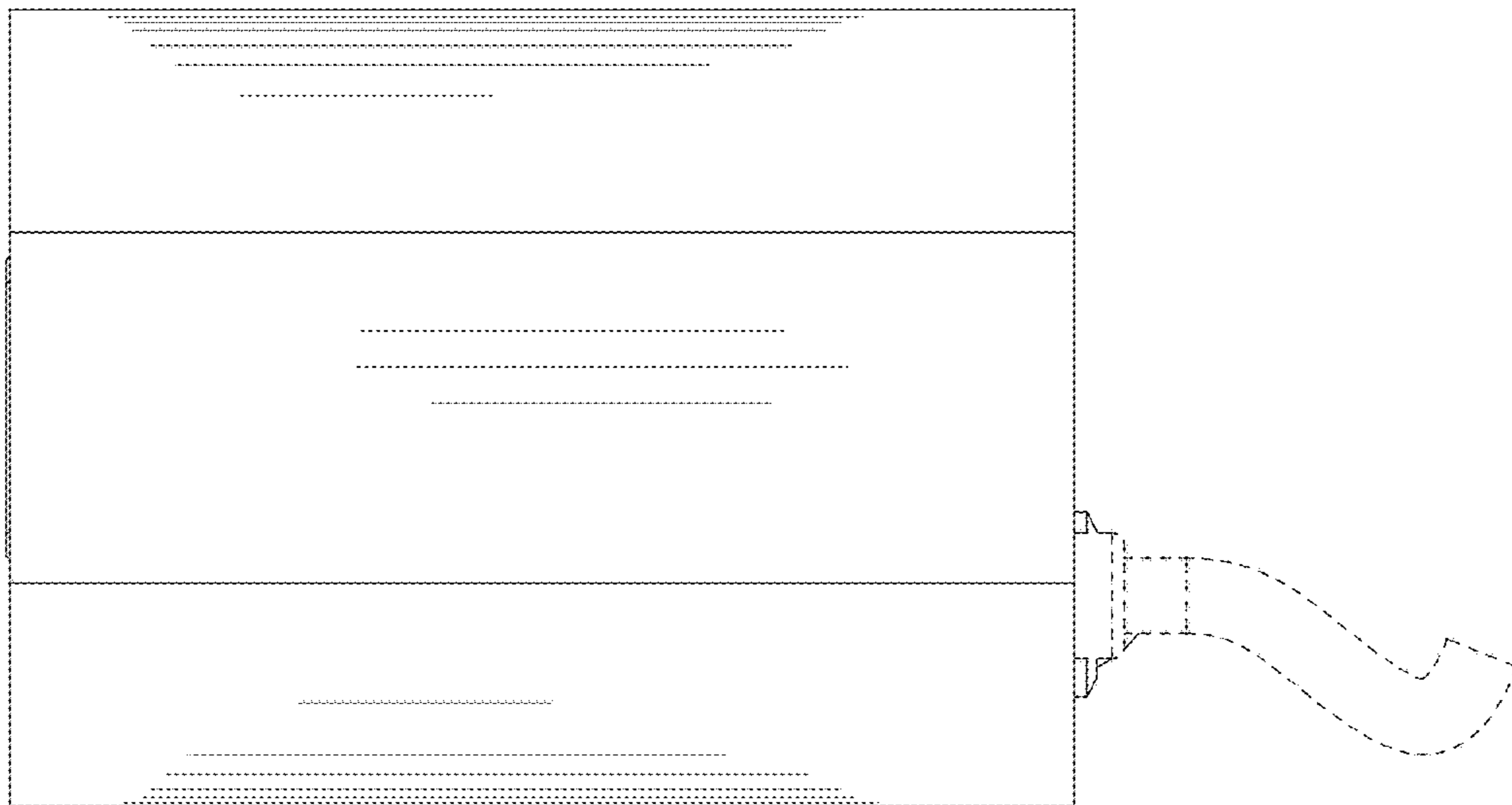


Fig. 2

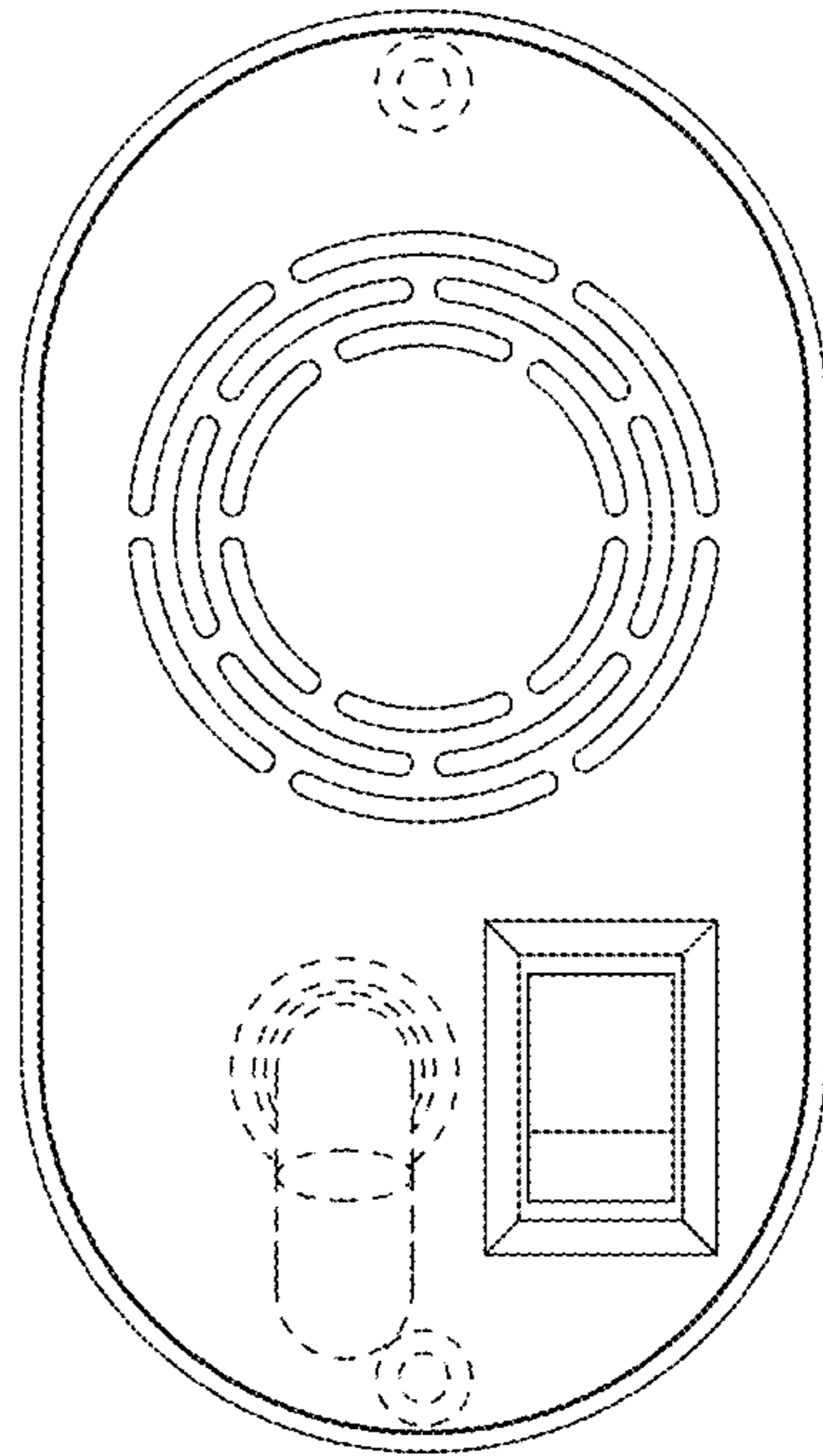


Fig. 3

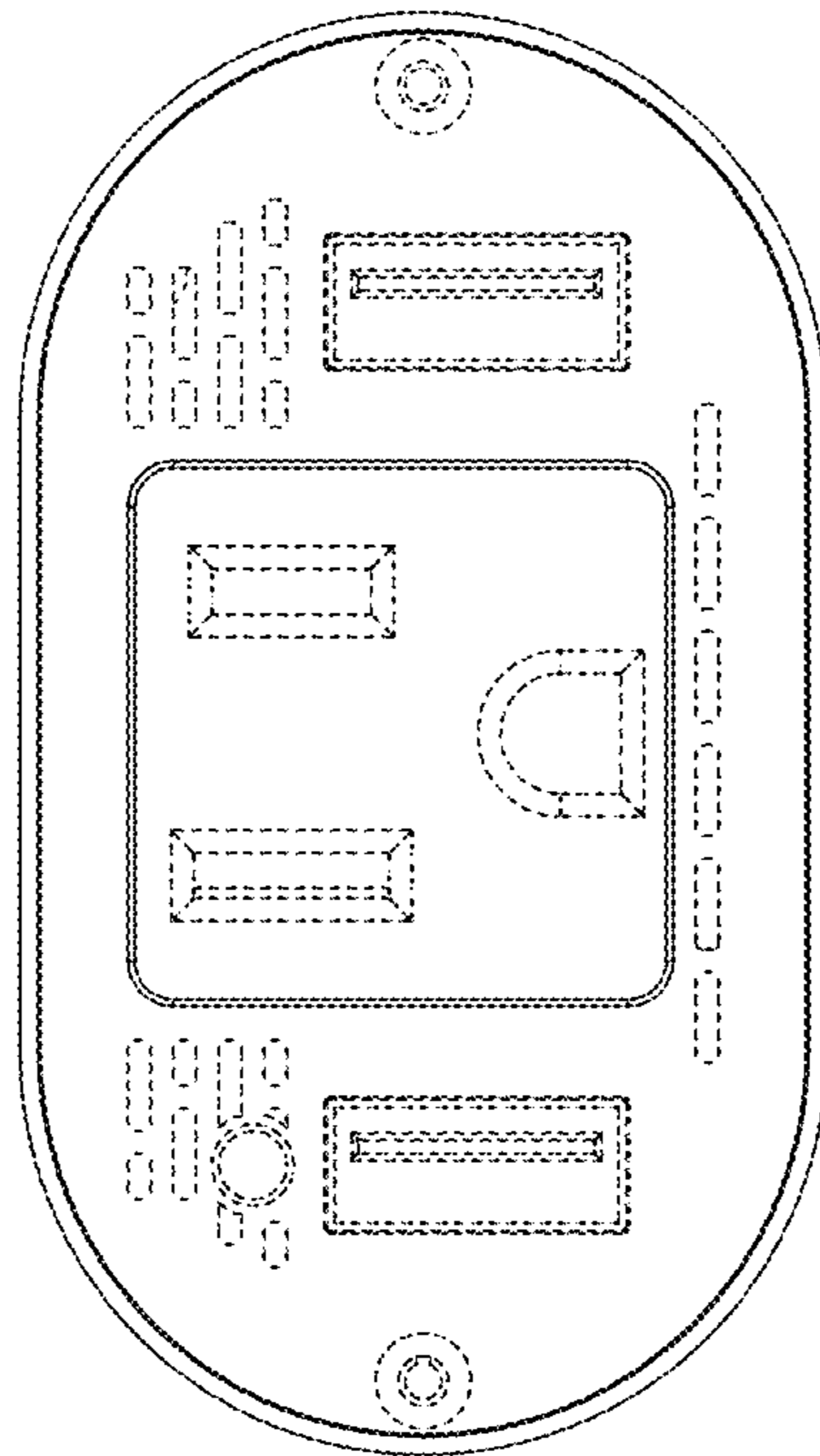


Fig. 4

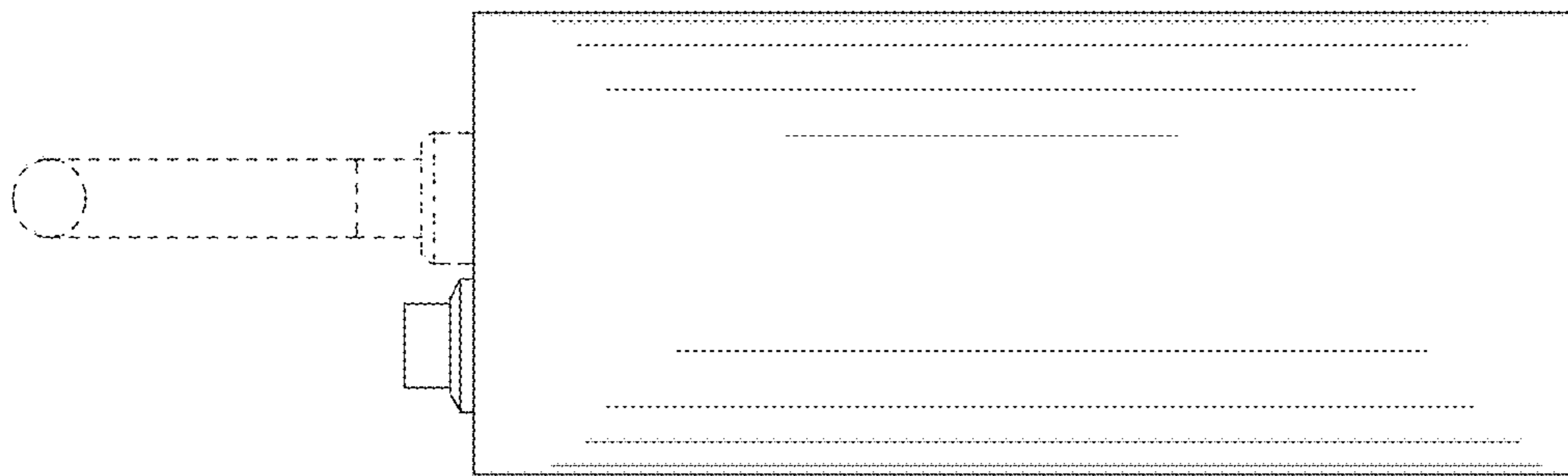


Fig. 5

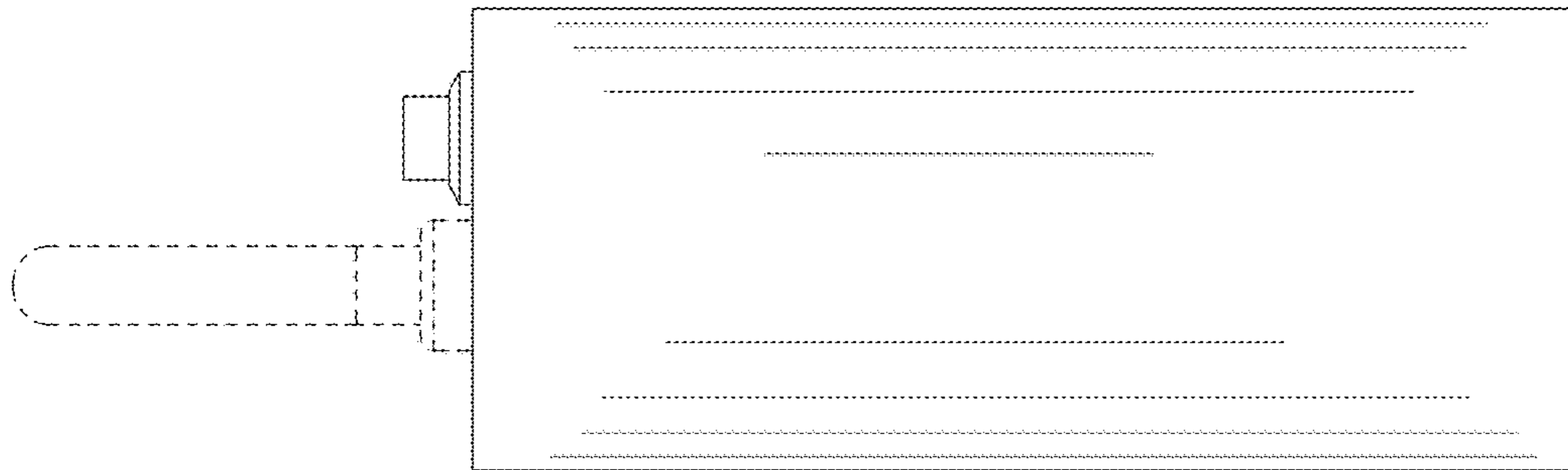


Fig. 6

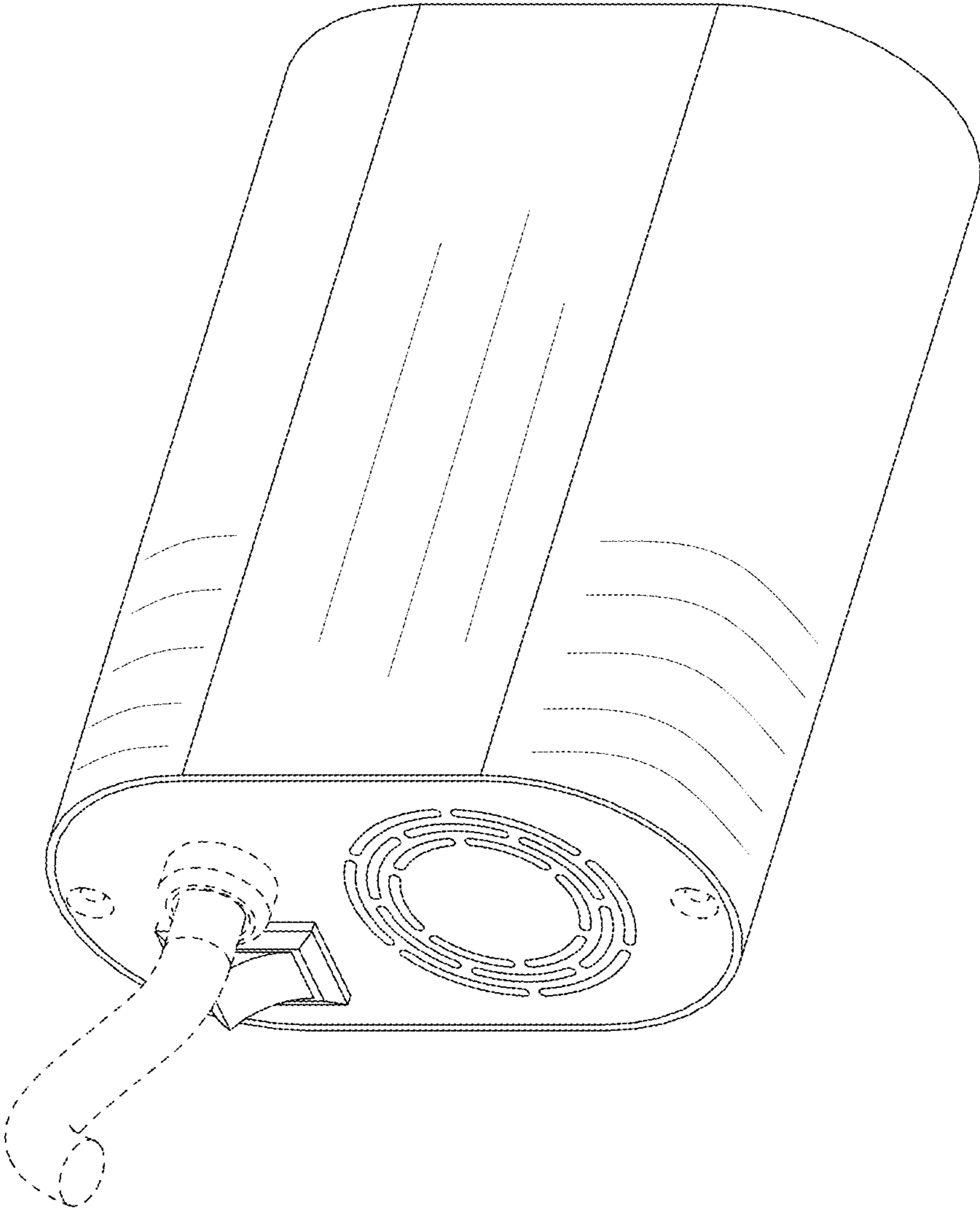


Fig. 7

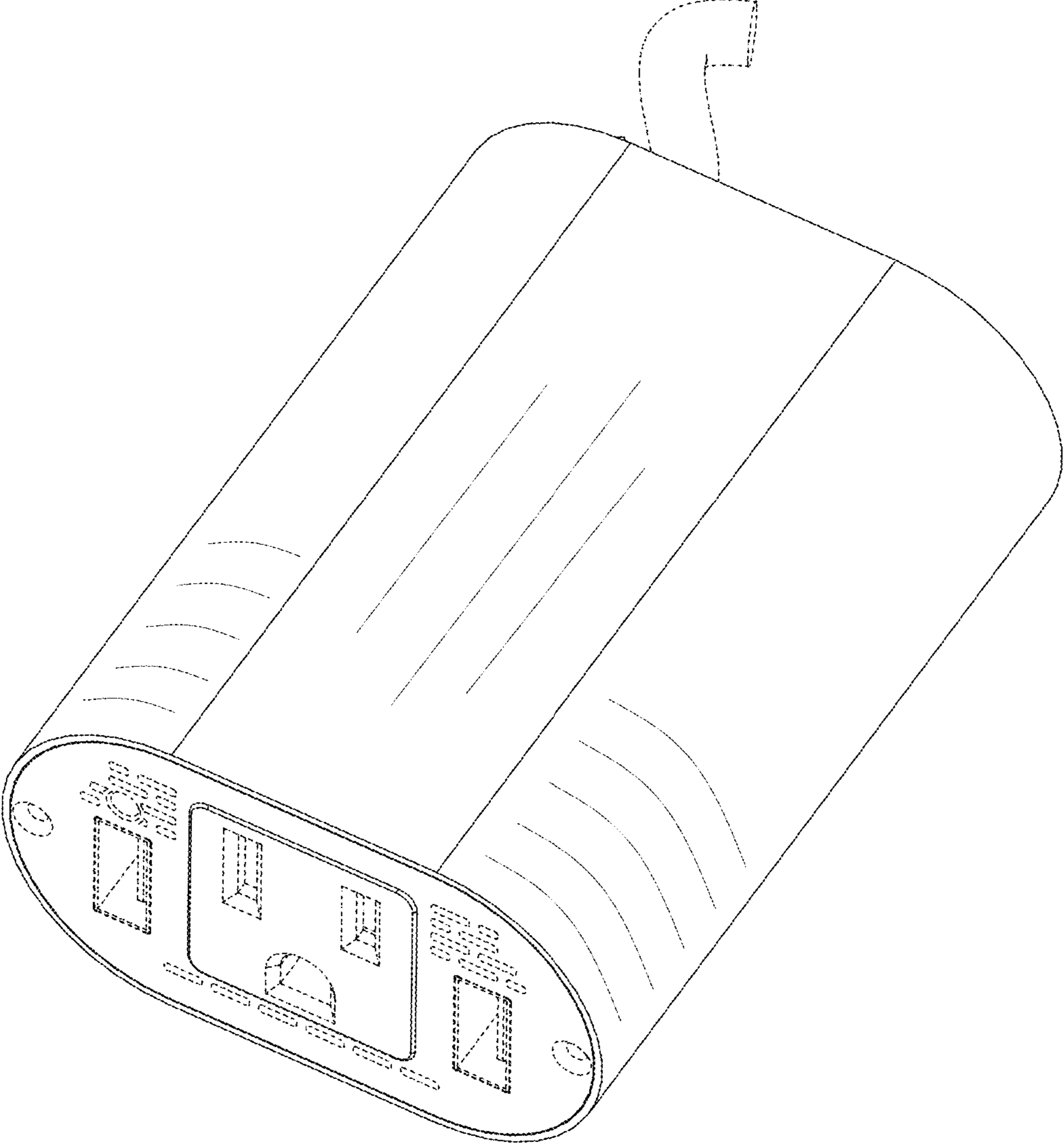


Fig. 8