



US00D822599S

(12) **United States Design Patent**
Zhong

(10) **Patent No.:** **US D822,599 S**
(45) **Date of Patent:** **** Jul. 10, 2018**

(54) **PORTABLE POWER BANK**

(71) Applicant: **Shenzhen Ruimaide Technology Co., Ltd.**, Shenzhen (CN)

(72) Inventor: **Decai Zhong**, Shenzhen (CN)

(73) Assignee: **Shenzhen Ruimaide Technology Co., Ltd.**, Shenzhen (CN)

(**) Term: **15 Years**

(21) Appl. No.: **29/616,708**

(22) Filed: **Sep. 8, 2017**

(51) **LOC (11) Cl.** **13-02**

(52) **U.S. Cl.**
USPC **D13/108; D13/103**

(58) **Field of Classification Search**
USPC D13/102–110, 118, 119, 184, 199;
D14/356, 432

See application file for complete search history.

(56) **References Cited**

U.S. PATENT DOCUMENTS

D508,469 S *	8/2005	Hahn	D13/184
D514,075 S *	1/2006	Hahn	D13/184
D708,132 S *	7/2014	Wen	D13/108
D733,050 S *	6/2015	Chiang	D13/103
D738,527 S *	9/2015	Benarieh	D13/110
D816,029 S *	4/2018	Dai	D13/108

OTHER PUBLICATIONS

Rmdtech.manufacturer.globalsources.com: Portable Wireless Power Bank with Magnetic Charge for Apple Watch. No publish

date. Retrieved from the internet at <<http://rmdtech.manufacturer.globalsources.com/si/6008849245413/pdtl/Wireless-charging/1154803277/Portable-Wireless-Power-Bank.htm>>, Apr. 27, 2018. 1pg (Year: 2018).*

YouTube.com: A portable Apple Watch charger: Ugreen Power Bank. Published Mar. 14, 2017. Retrieved from the internet at <<https://www.youtube.com/watch?v=KRAMyUb5Ehl>>, Apr. 27, 2018. 1 page. (Year: 2017).*

Amazon.com: MIPOW 2 in 1 Apple Watch Charger. Published Jul. 31, 2017. Retrieved from the internet at <<https://www.amazon.com/MIPOW-Wireless-Charging-Portable-Lightning/dp/B071FG8KKM>>, Apr. 27, 2018. 1 page. (Year: 2017).*

* cited by examiner

Primary Examiner — Manpreet S Matharu
Assistant Examiner — Christy M Nemeth

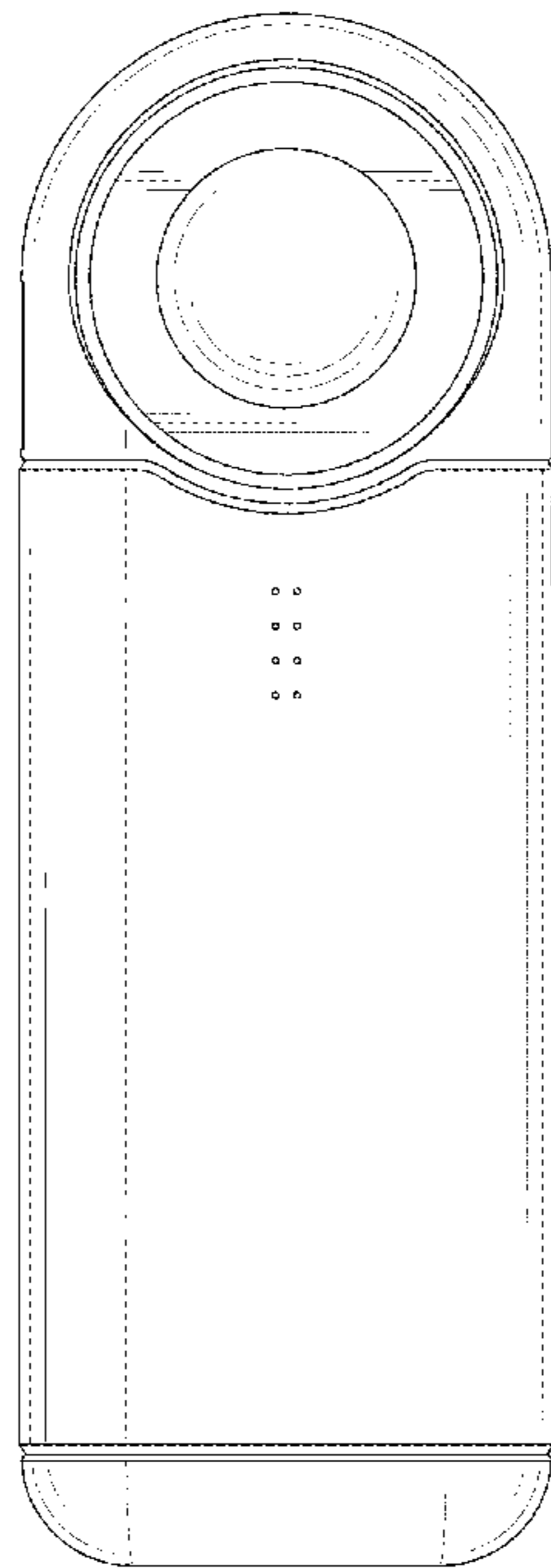
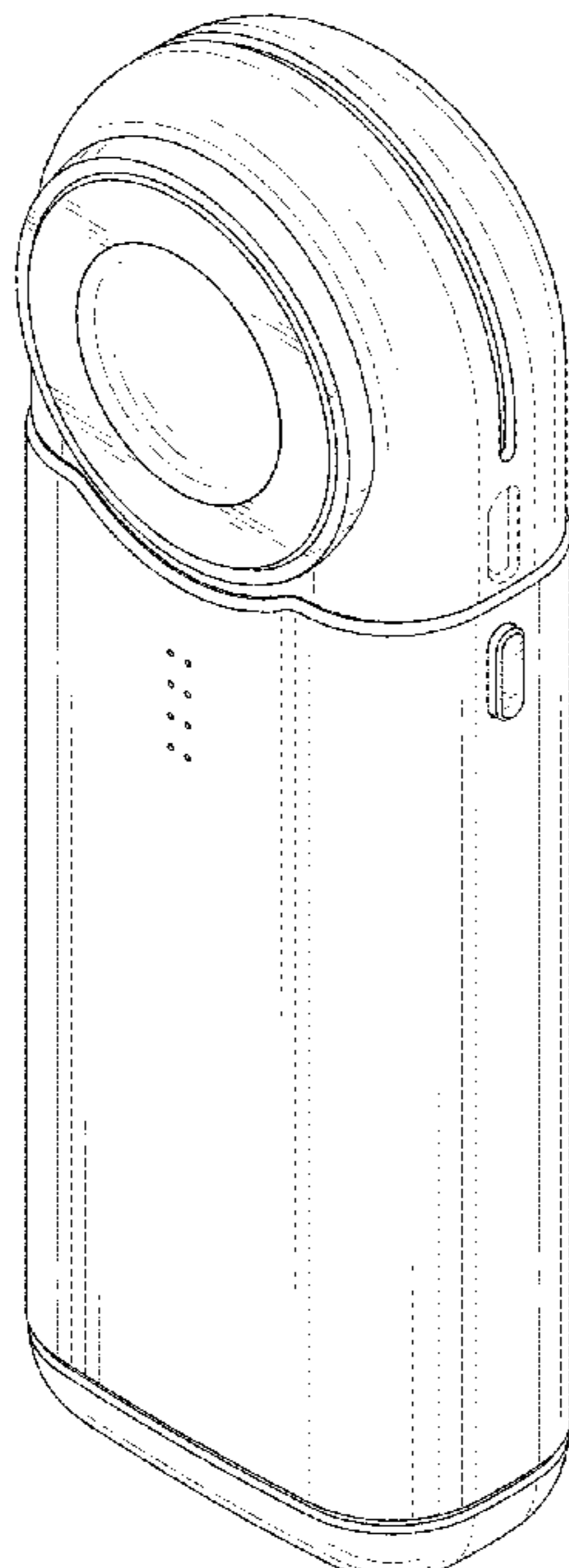
(57) **CLAIM**

The ornamental design for a portable power bank, as shown and described.

DESCRIPTION

FIG. 1 is a perspective view of a portable power bank showing my new design;
FIG. 2 is a front elevational view thereof;
FIG. 3 is a rear elevational view thereof;
FIG. 4 is a left elevational view thereof;
FIG. 5 is a right elevational view thereof;
FIG. 6 is a top plan view thereof; and,
FIG. 7 is a bottom plan view thereof.
The broken lines in the drawings illustrate portions of the portable power bank which form no part of the claimed design.

1 Claim, 7 Drawing Sheets



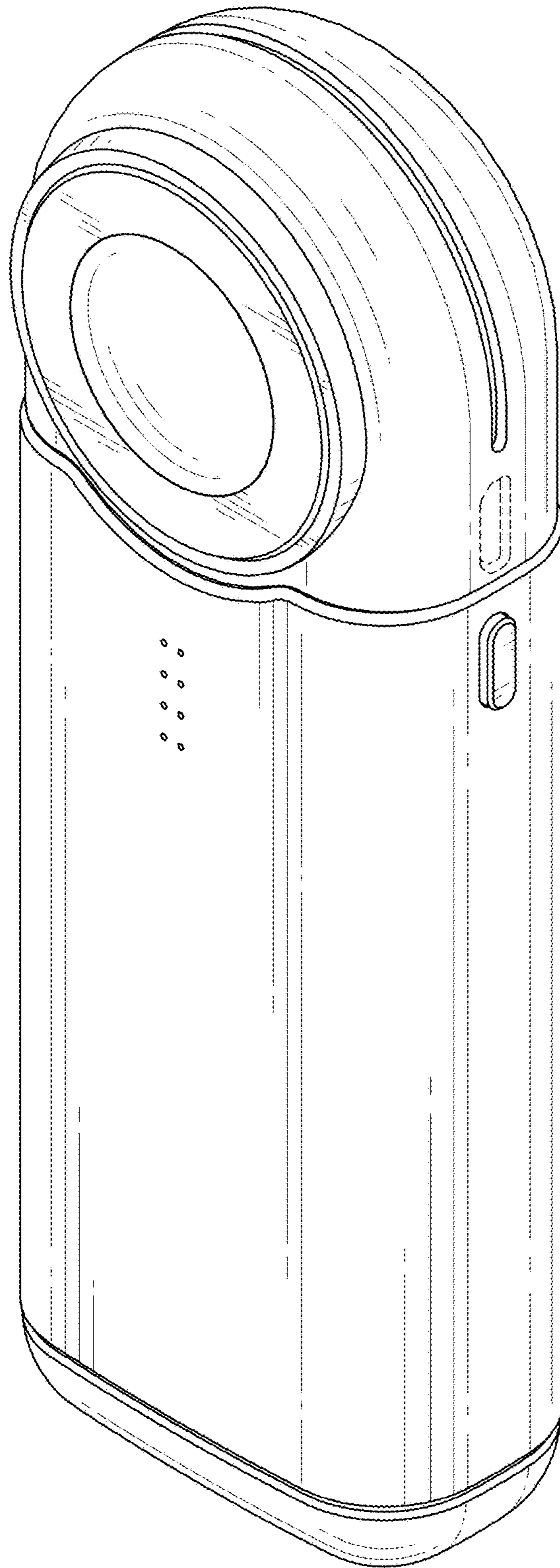


FIG. 1

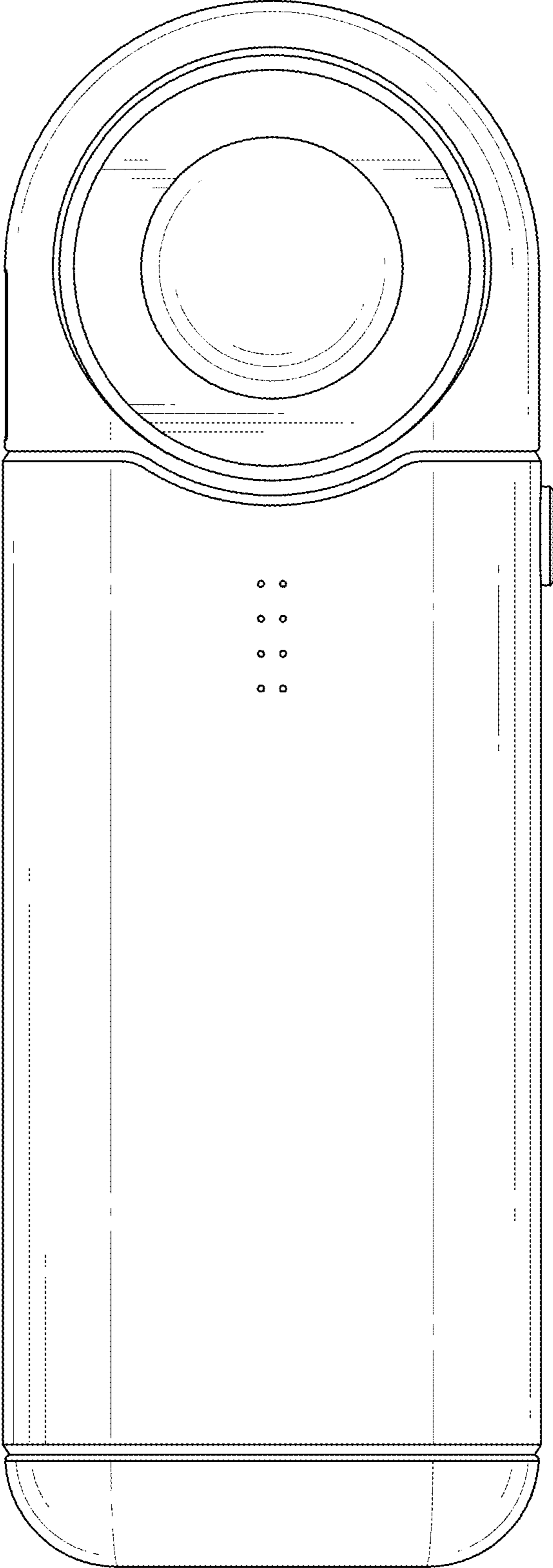


FIG. 2

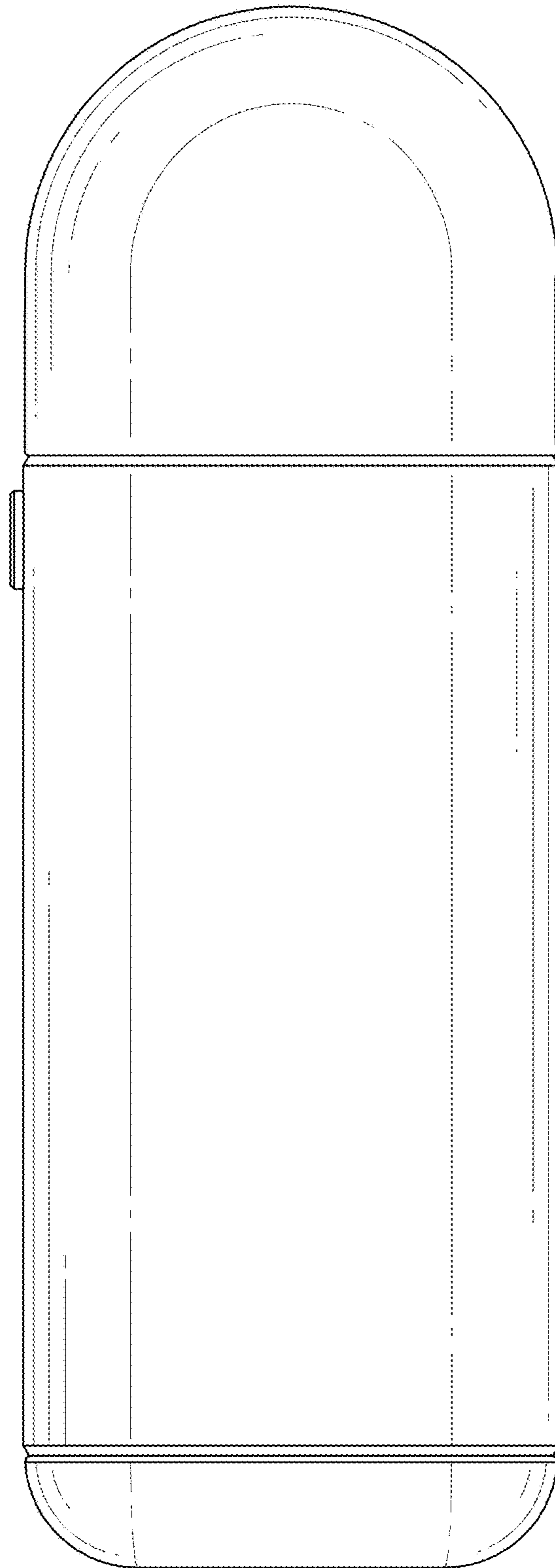


FIG. 3

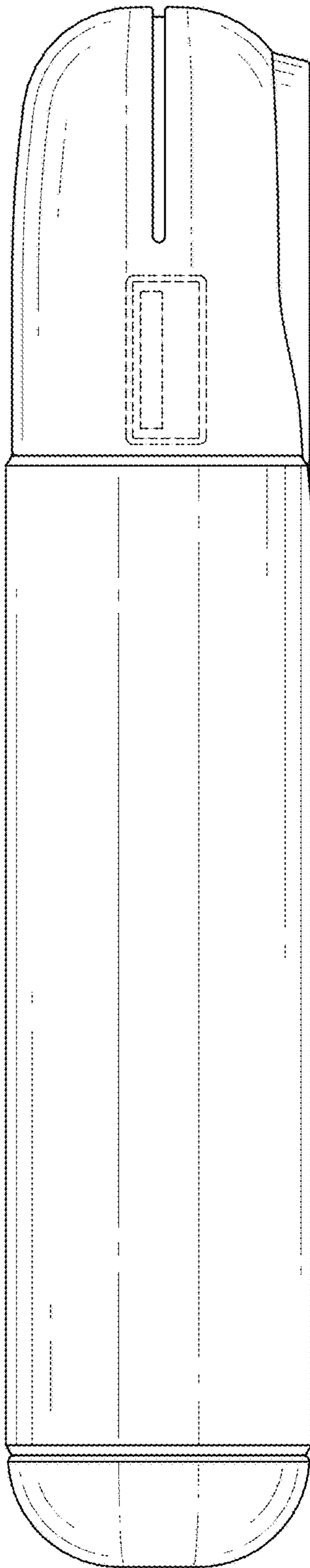


FIG. 4

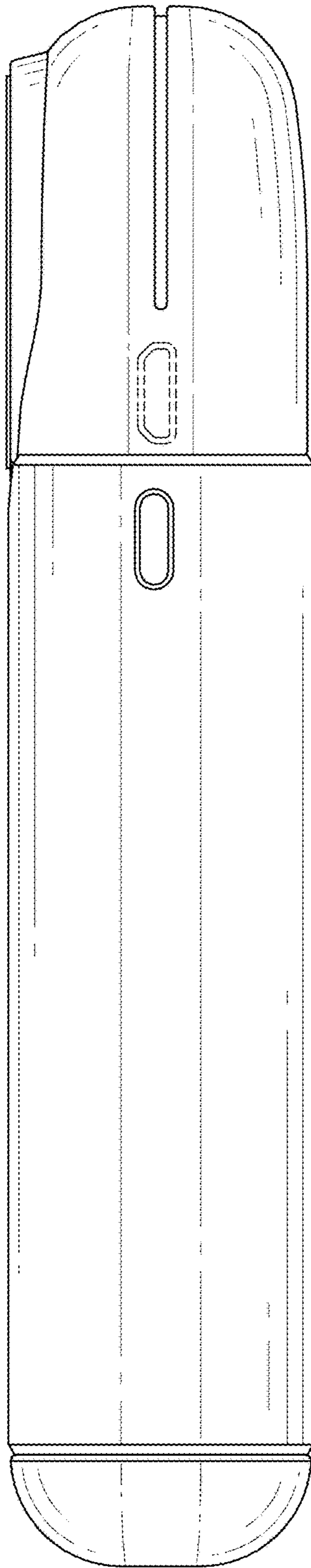


FIG. 5

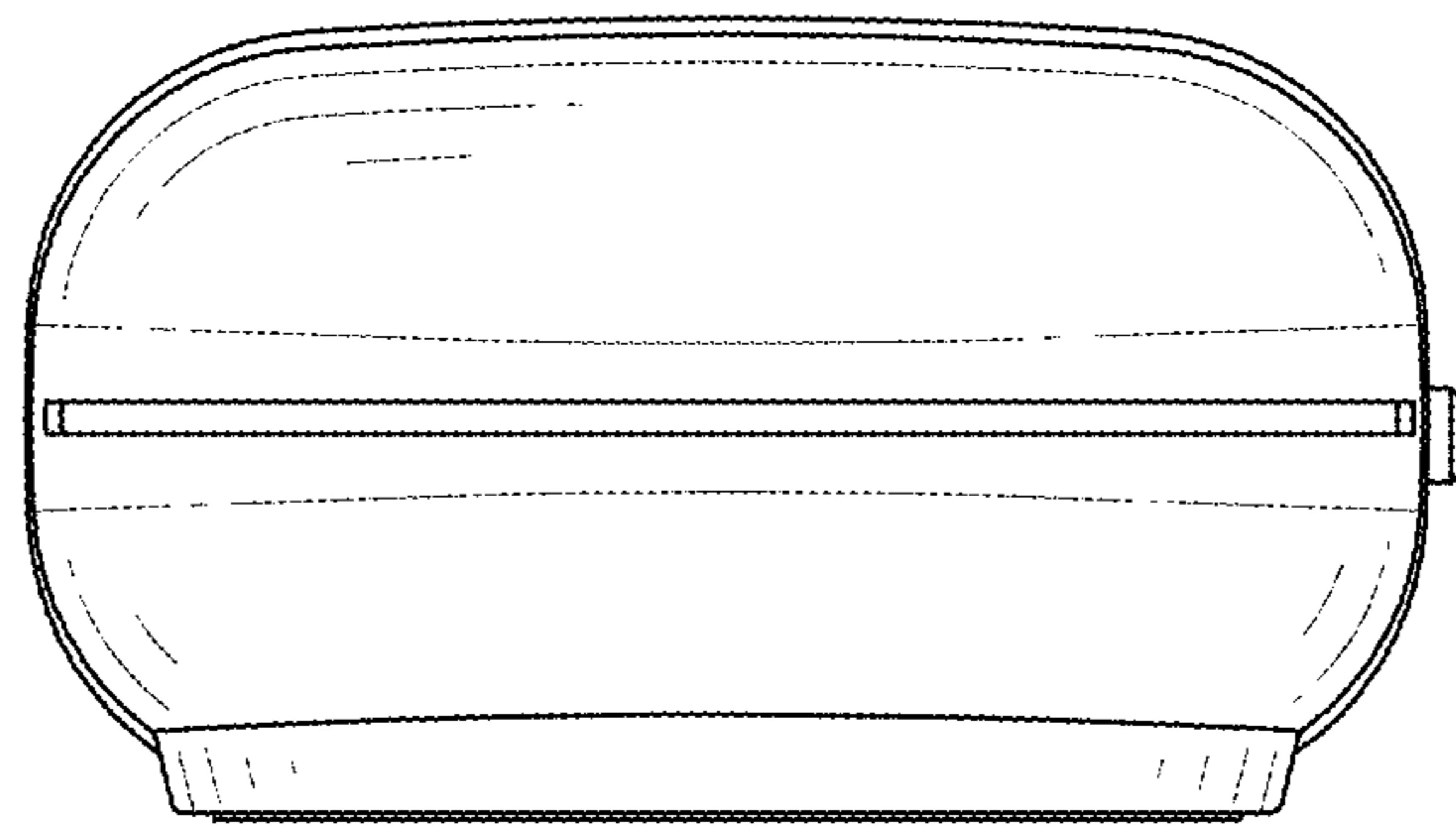


FIG. 6

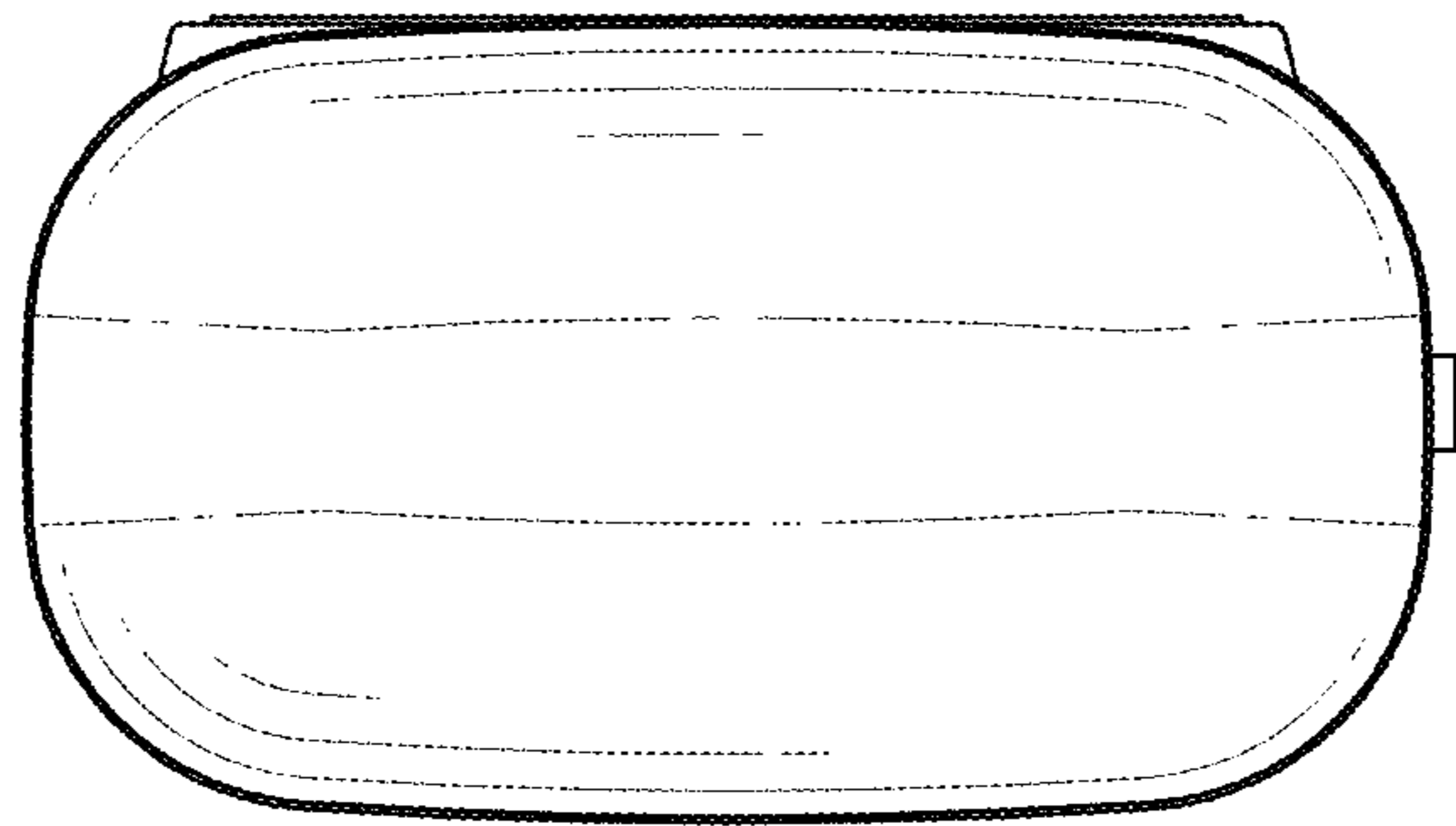


FIG. 7