



US00D822597S

(12) **United States Design Patent**
Wai Hung et al.

(10) **Patent No.:** **US D822,597 S**
(45) **Date of Patent:** **** Jul. 10, 2018**

(54) **CHARGER**

(71) Applicant: **Energizer Brands, LLC**, St. Louis, MO (US)

(72) Inventors: **Billy Liu Wai Hung**, Ma On Shan (HK); **Michel Guy**, Sai Ying Pun (HK)

(73) Assignee: **Energizer Brands, LLC**, St. Louis, MO (US)

(**) Term: **15 Years**

(21) Appl. No.: **29/601,438**

(22) Filed: **Apr. 21, 2017**

(51) **LOC (11) Cl.** **13-02**

(52) **U.S. Cl.**
USPC **D13/107**

(58) **Field of Classification Search**
USPC D13/107, 108, 109, 110, 118, 119, 184, D13/103; D14/251, 253, 432, 434, 224, D14/209.01, 216, 217
CPC Y02E 60/12; Y02T 90/14; Y02T 90/122; Y02T 90/128; Y02T 90/163; H02J 7/025; H02J 7/0042; H02J 7/0044; H02J 7/0045; H02J 7/0003; H02J 2001/008; H02J 3/32; H02J 3/008; H02J 7/0027; H02J 7/0013; H02J 7/0054; H02J 7/00; H01F 38/14; H01R 13/6675; H01M 2/1022; H01M 2/1055; H01M 10/44; H01M 10/46; H01M 10/425; B60L 11/182; B60L 11/1809; B60L 11/1861; B60R 16/03
See application file for complete search history.

(56) **References Cited**

U.S. PATENT DOCUMENTS

4,403,182 A 9/1983 Yeh
D278,702 S 5/1985 Chiodo et al.
D278,703 S 5/1985 Chiodo et al.
4,766,361 A * 8/1988 Pusateri H02J 7/0006
320/110
5,057,761 A 10/1991 Felegyhazi, Sr.

D322,060 S * 12/1991 Iino D13/107
D339,563 S 9/1993 Usami
D358,363 S 5/1995 Usami
D375,934 S 11/1996 Rosen et al.
D443,856 S 6/2001 Lehtovaara

(Continued)

Primary Examiner — Rosemary K Tarcza

Assistant Examiner — Christy M Nemeth

(74) *Attorney, Agent, or Firm* — Alston & Bird LLP

(57) **CLAIM**

The ornamental design for a charger, as shown and described.

DESCRIPTION

FIG. 1 is a top perspective view of a charger according to the first embodiment of the present design.

FIG. 2 is a bottom perspective view of the charger of FIG. 1.

FIG. 3 is a front view the charger of FIG. 1.

FIG. 4 is a back view of the charger of FIG. 1.

FIG. 5 is a left side view of the charger of FIG. 1.

FIG. 6 is a right side view of the charger of FIG. 1.

FIG. 7 is a top view of the charger of FIG. 1.

FIG. 8 is a bottom view of the charger of FIG. 1.

FIG. 9 is a top perspective view of a charger according to a second embodiment of the present design.

FIG. 10 is a bottom perspective view of the charger of FIG. 9.

FIG. 11 is a front view the charger of FIG. 9.

FIG. 12 is a back view of the charger of FIG. 9.

FIG. 13 is a left side view of the charger of FIG. 9.

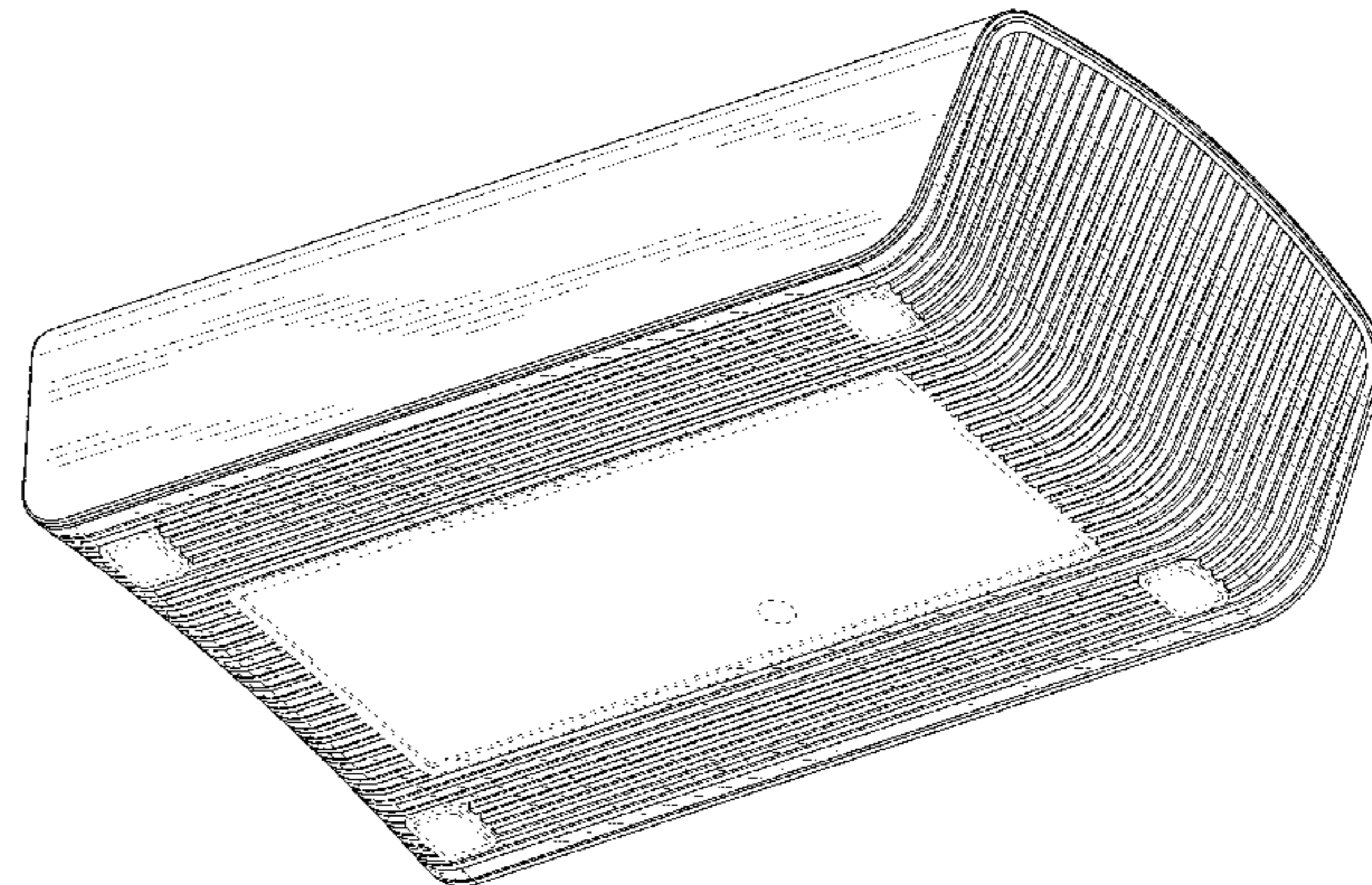
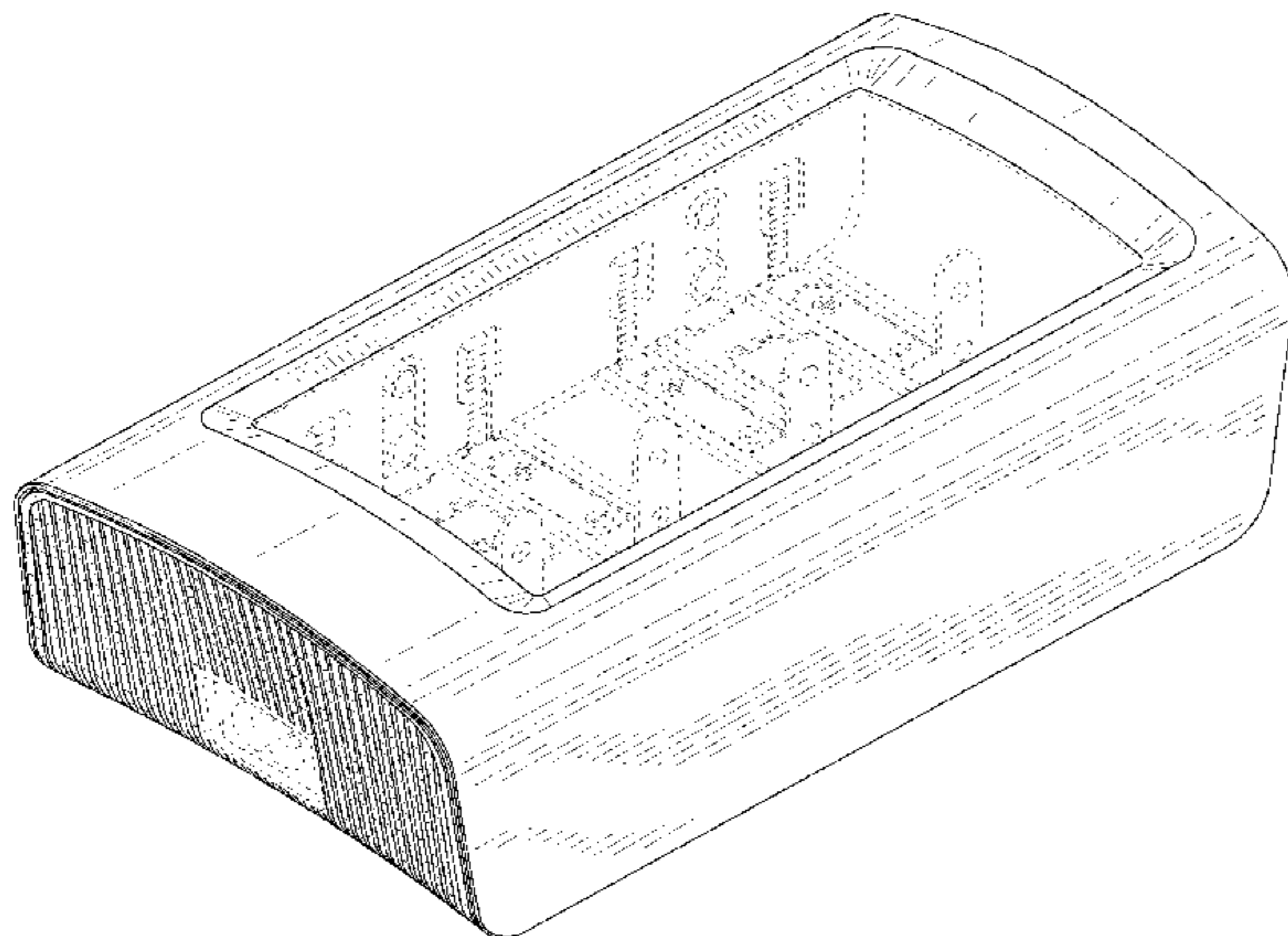
FIG. 14 is a right side view of the charger of FIG. 9.

FIG. 15 is a top view of the charger of FIG. 9; and,

FIG. 16 is a bottom view of the charger of FIG. 9.

The broken lines in the drawings are for the purpose of illustrating portions of the charger that form no part of the claimed design.

1 Claim, 16 Drawing Sheets



(56)

References Cited

U.S. PATENT DOCUMENTS

D454,837	S	3/2002	Ibuki et al.	
D478,557	S *	8/2003	Pfeiffer	D13/107
D540,742	S	4/2007	Bell	
D546,281	S	7/2007	Bell	
D559,177	S	1/2008	Ueda	
D564,960	S	3/2008	Sacco et al.	
D565,506	S	4/2008	Sacco et al.	
D574,321	S	8/2008	Osiecki et al.	
D617,268	S *	6/2010	Yen	D13/108
D623,129	S	9/2010	Kawakami et al.	
D626,916	S *	11/2010	Hine	D13/107
D650,327	S *	12/2011	Kingston	D13/107
D667,785	S *	9/2012	Ueda	D13/107
D709,826	S *	7/2014	Akana	D13/107
D718,710	S *	12/2014	Rabalais	D13/107
D731,412	S *	6/2015	Gao	D13/103
D735,128	S *	7/2015	Rabalais	D13/107
D743,331	S *	11/2015	Racine	D13/107
D799,423	S *	10/2017	Eliyahu	D13/108
2012/0201058	A1 *	8/2012	Harrison	H02J 7/0044 363/53
2012/0235641	A1 *	9/2012	Yang	H02J 7/0024 320/110

* cited by examiner

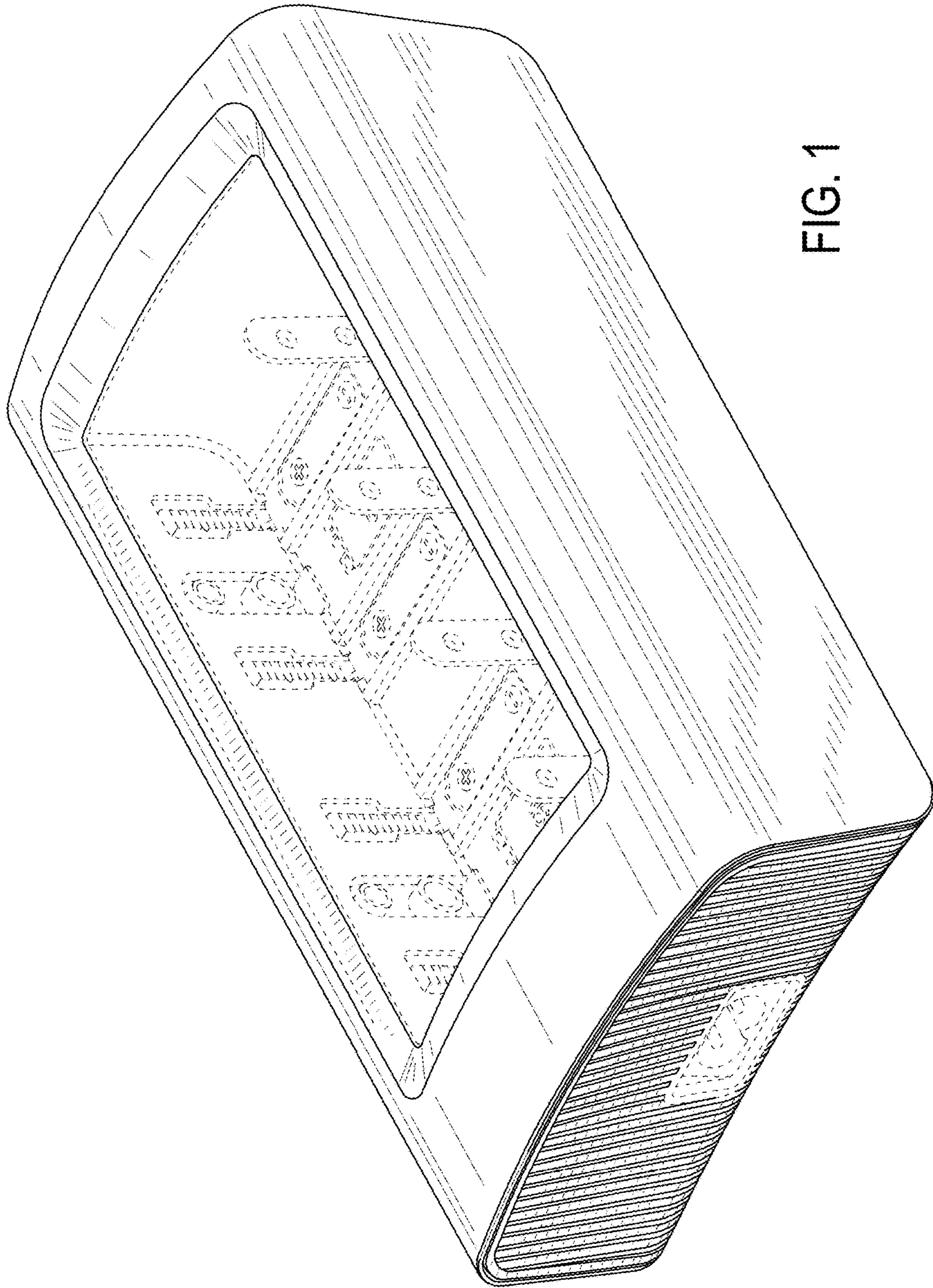


FIG. 1

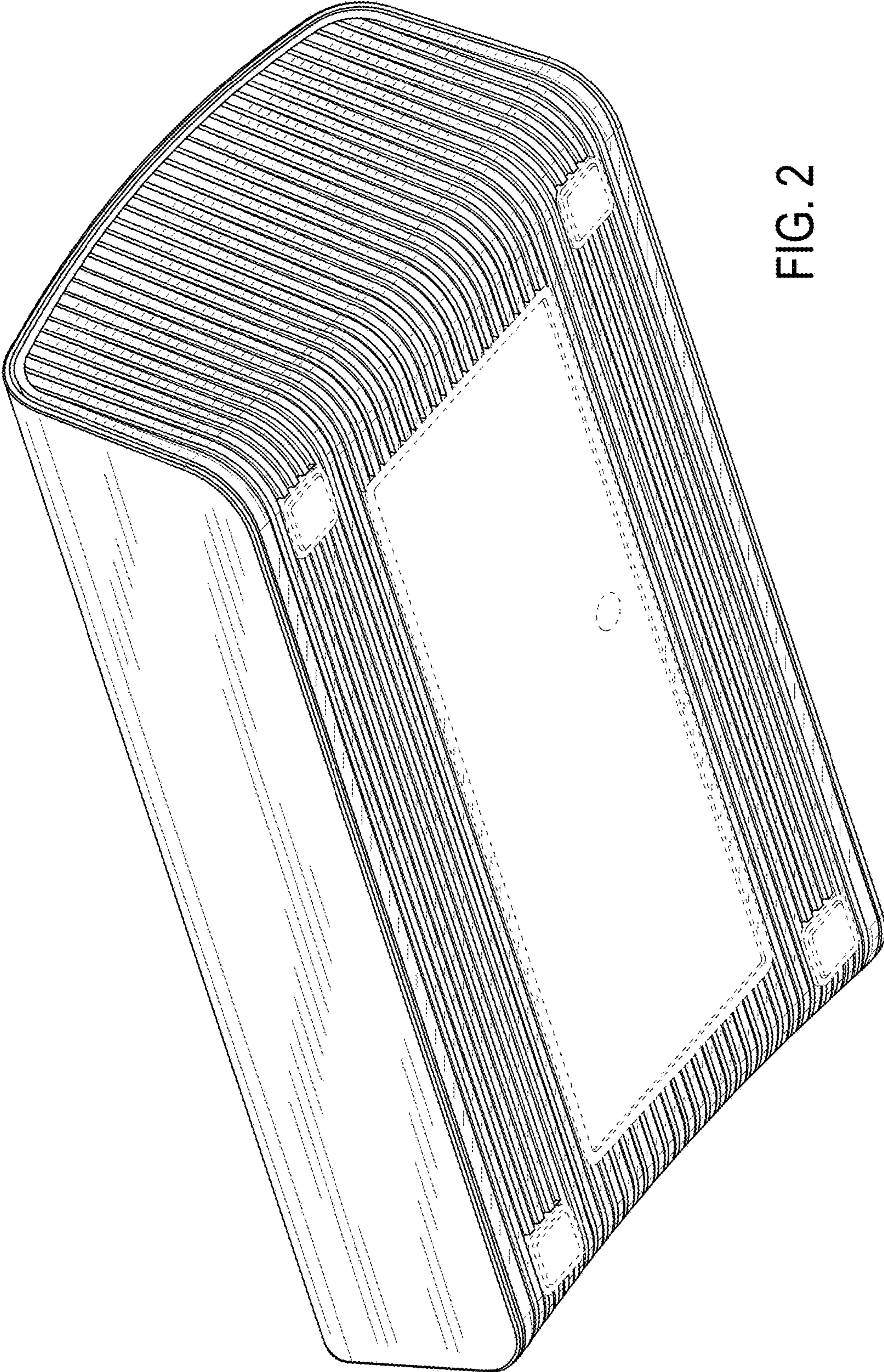


FIG. 2

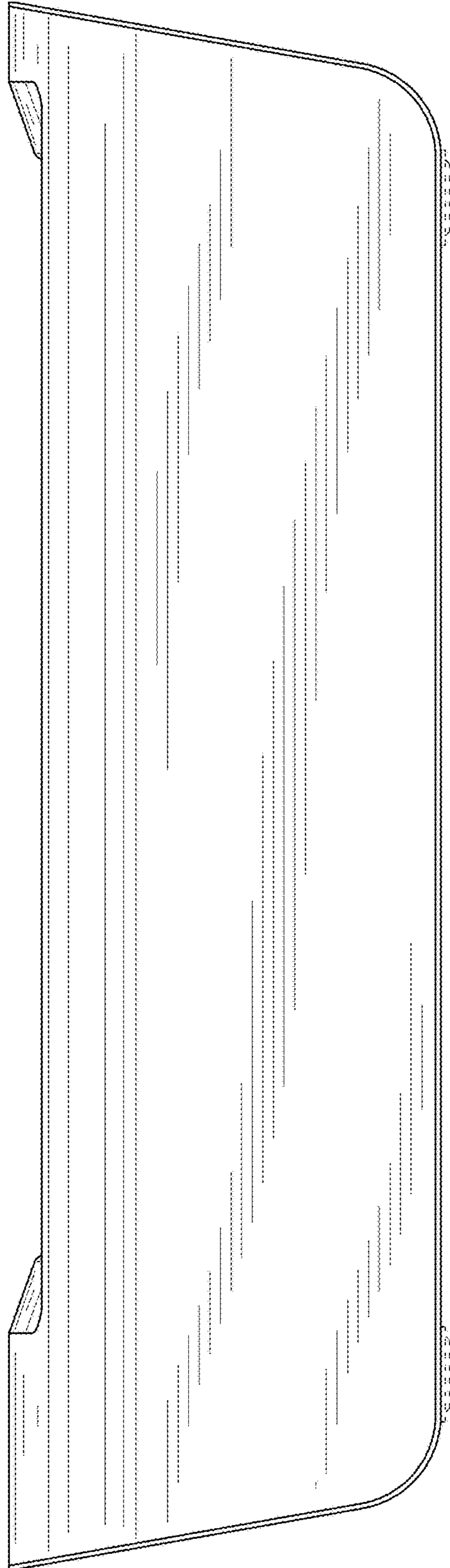


FIG. 3

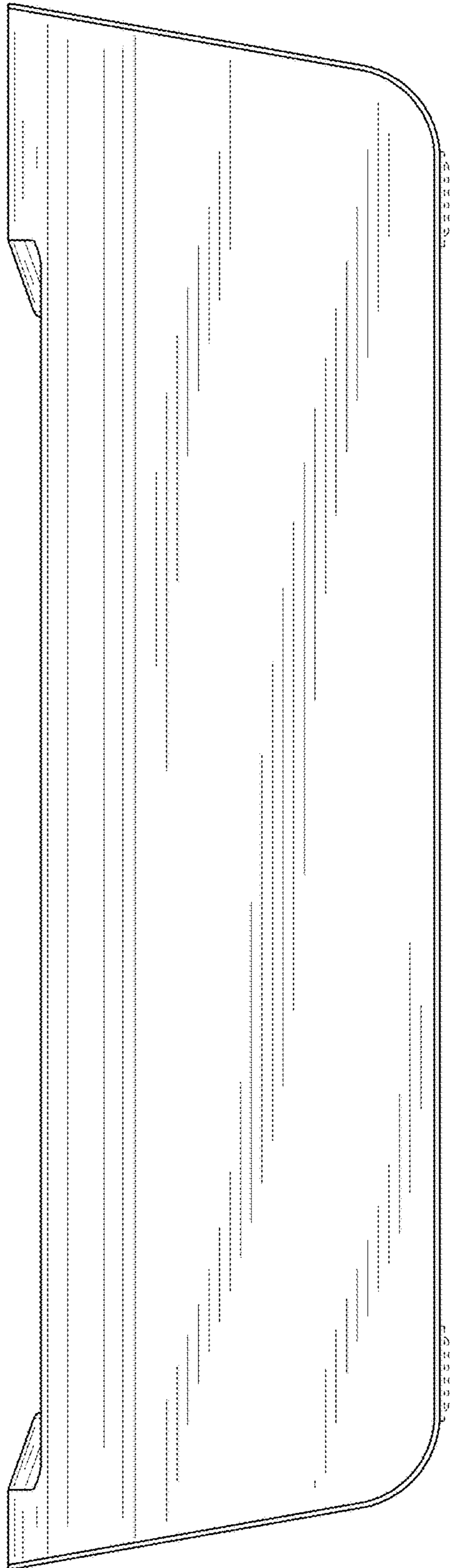


FIG. 4

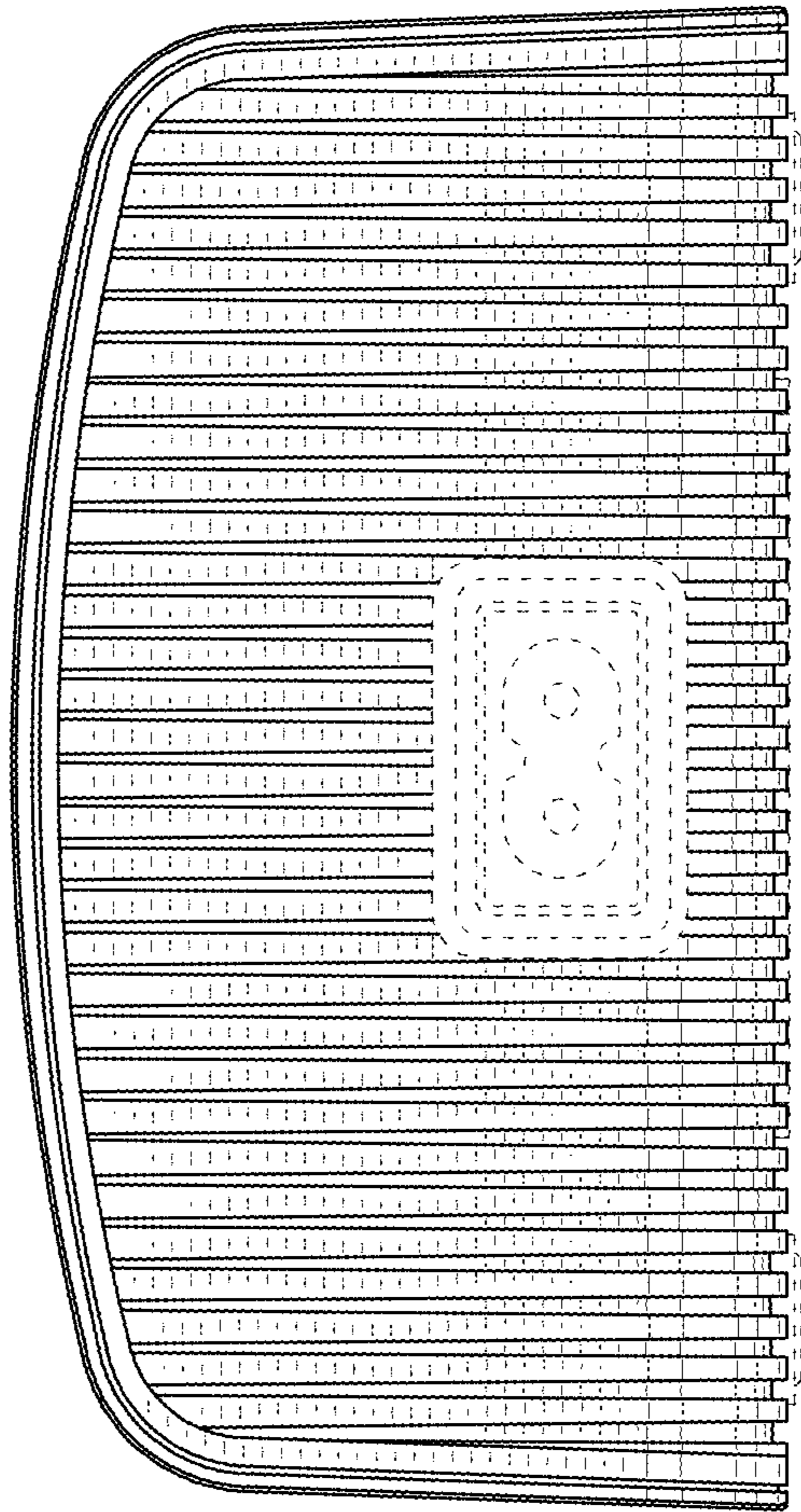


FIG. 5

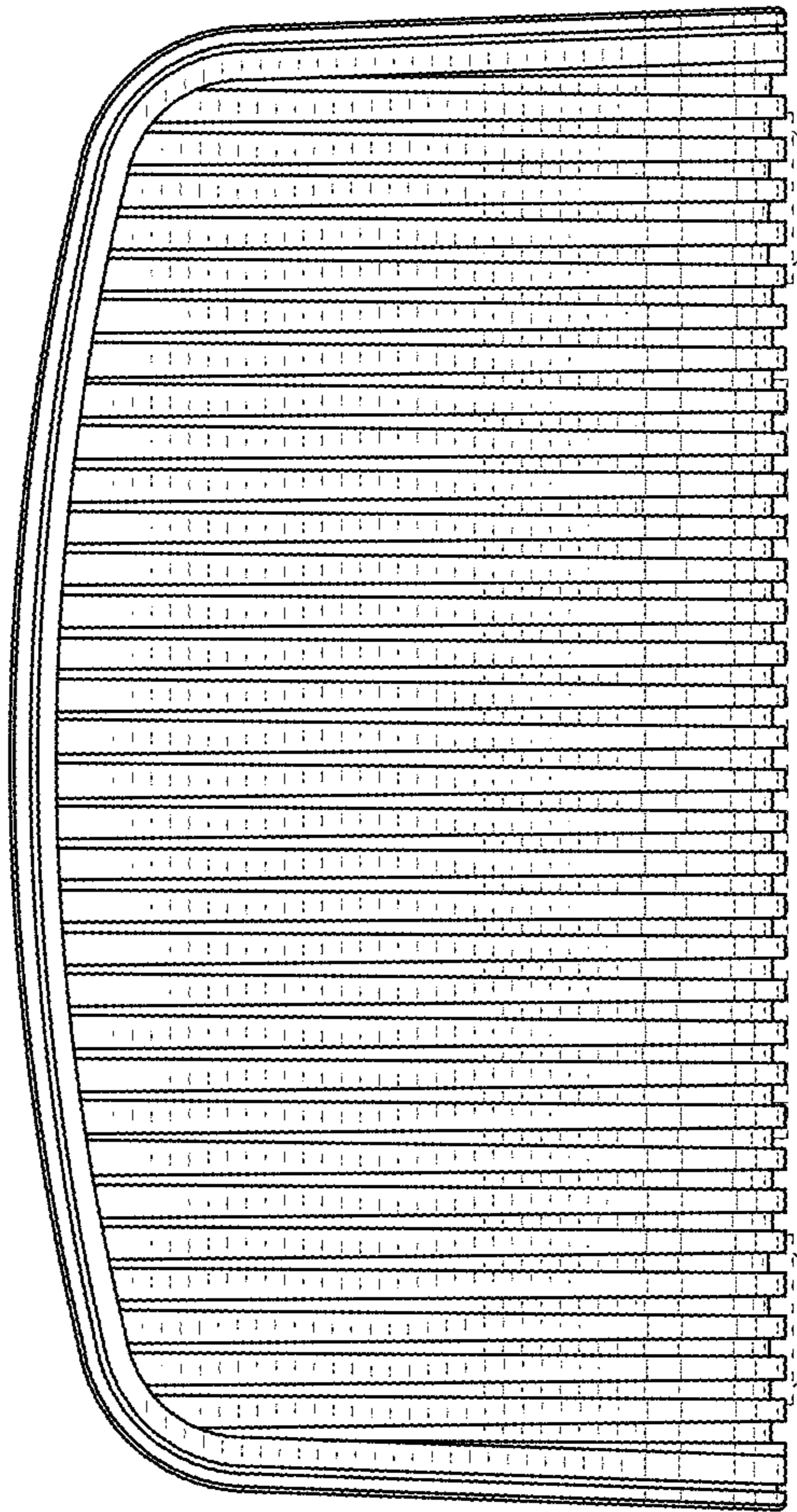


FIG. 6

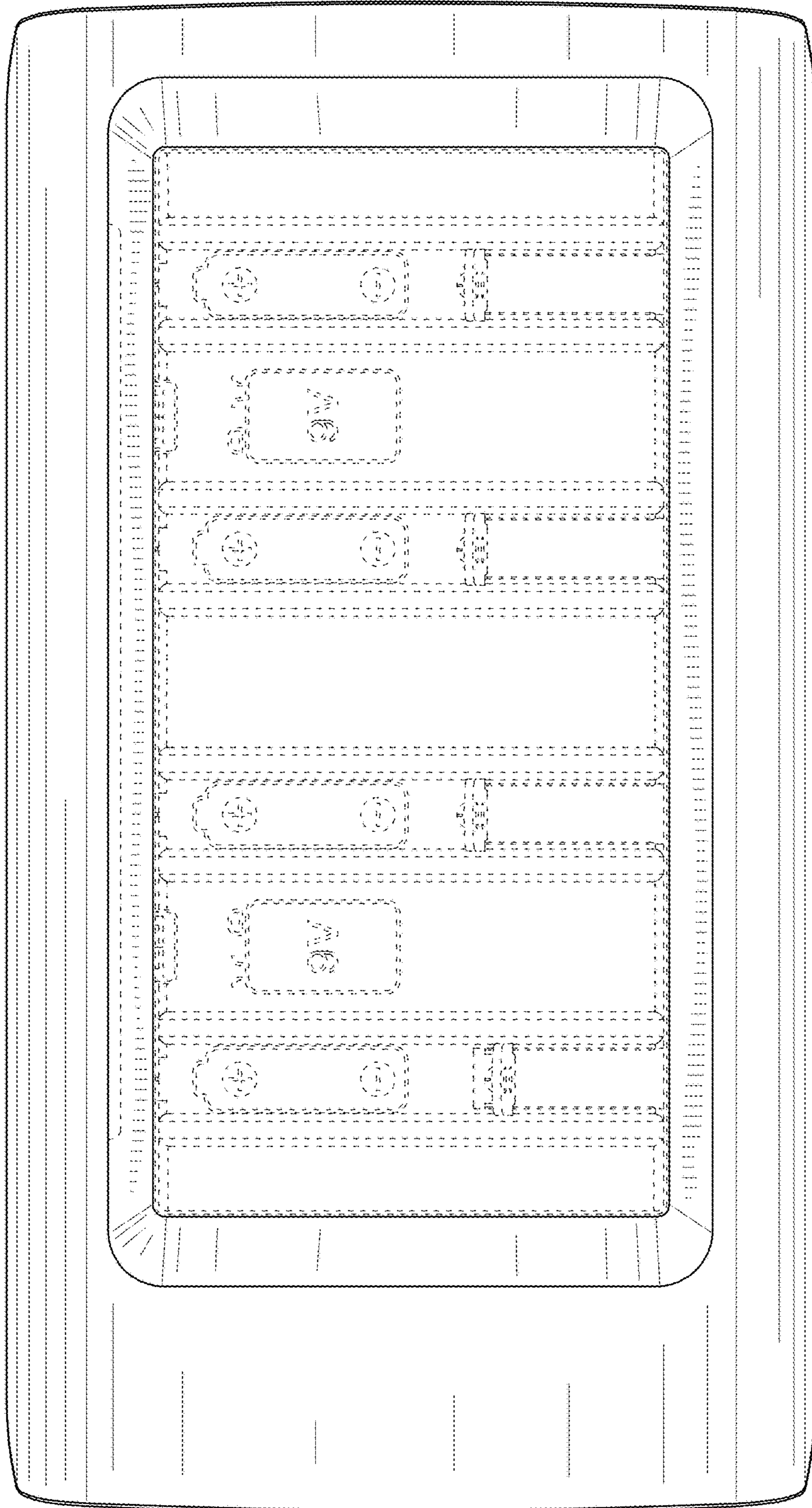


FIG. 7

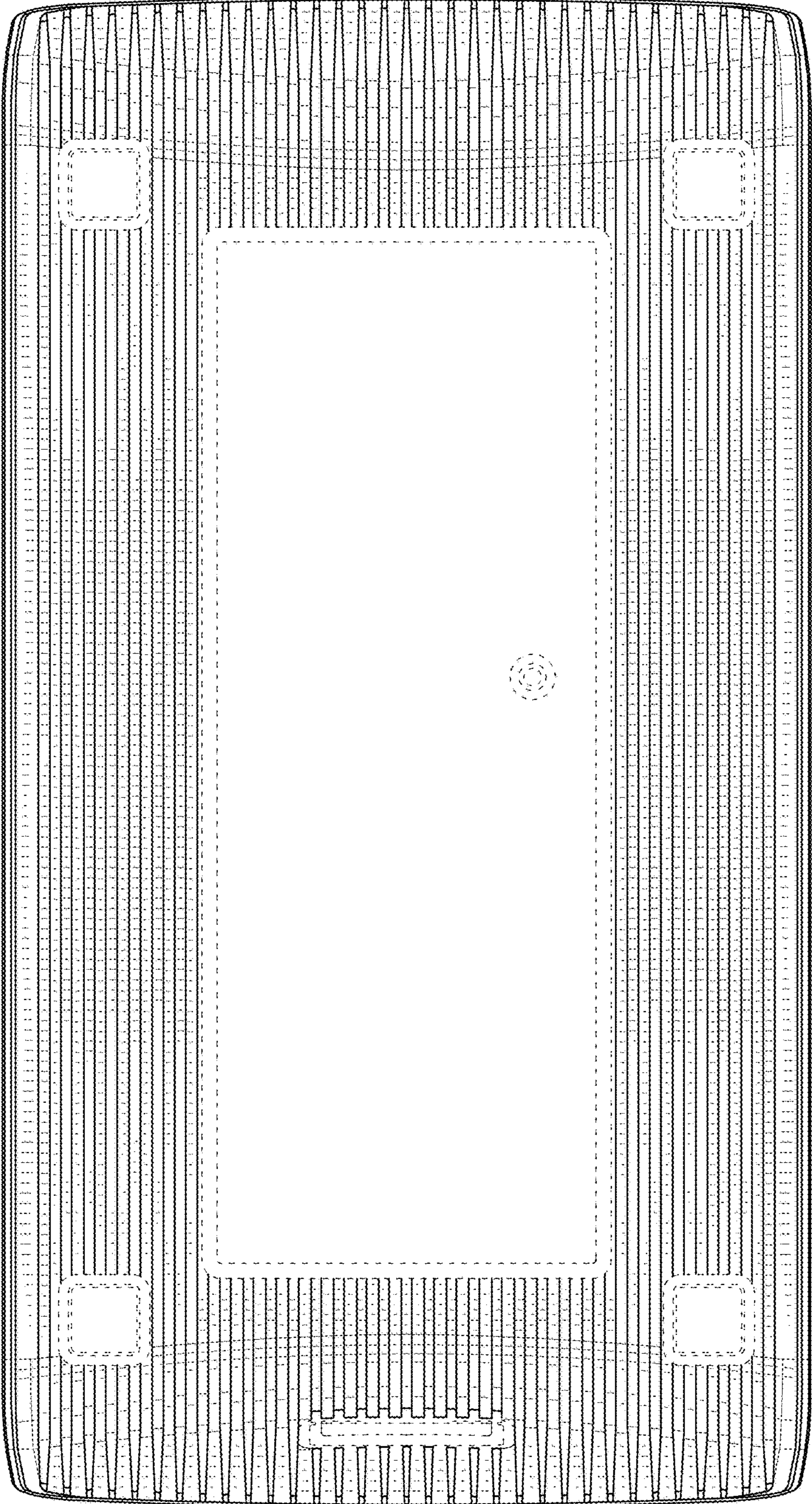


FIG. 8

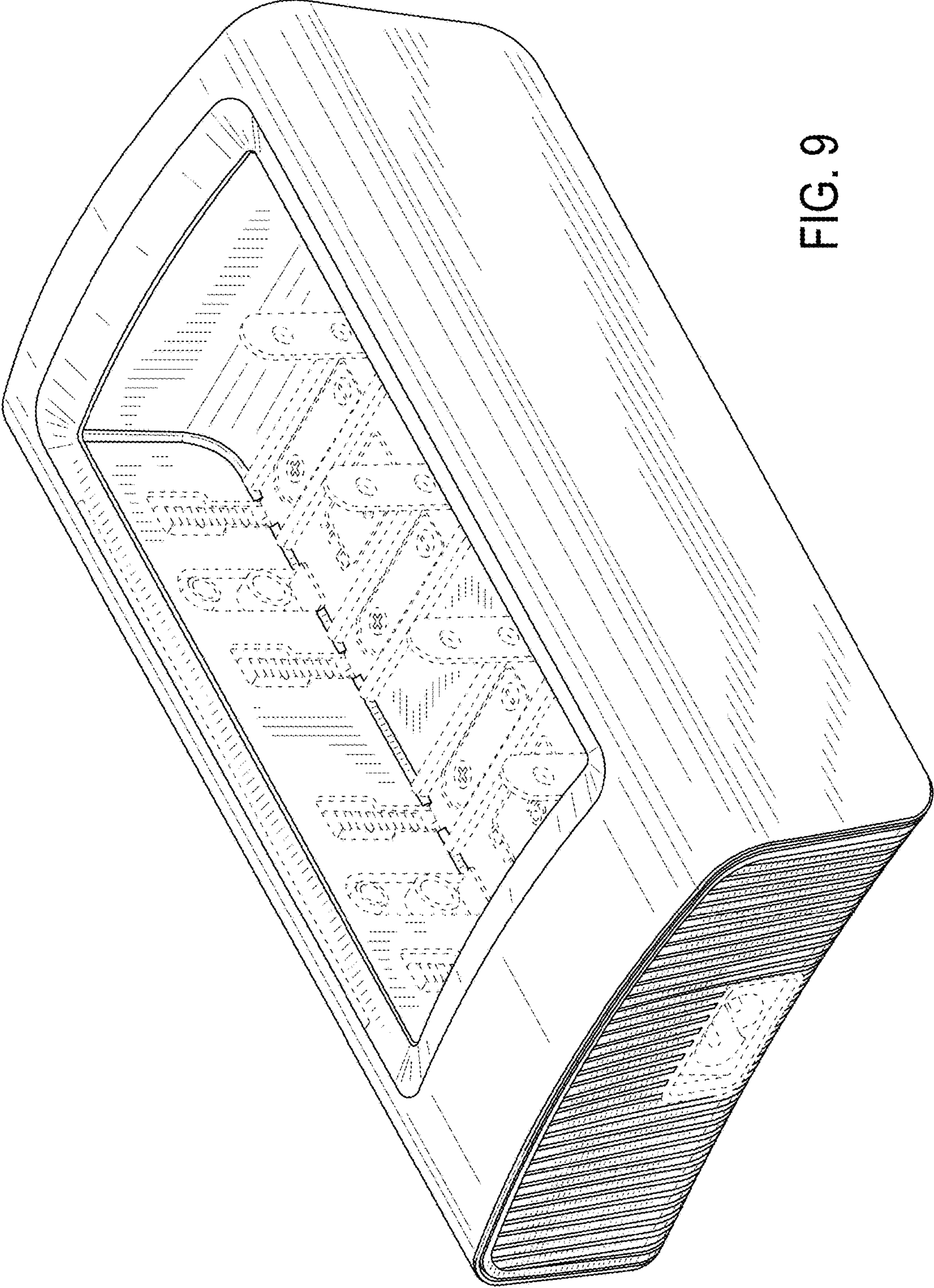


FIG. 9

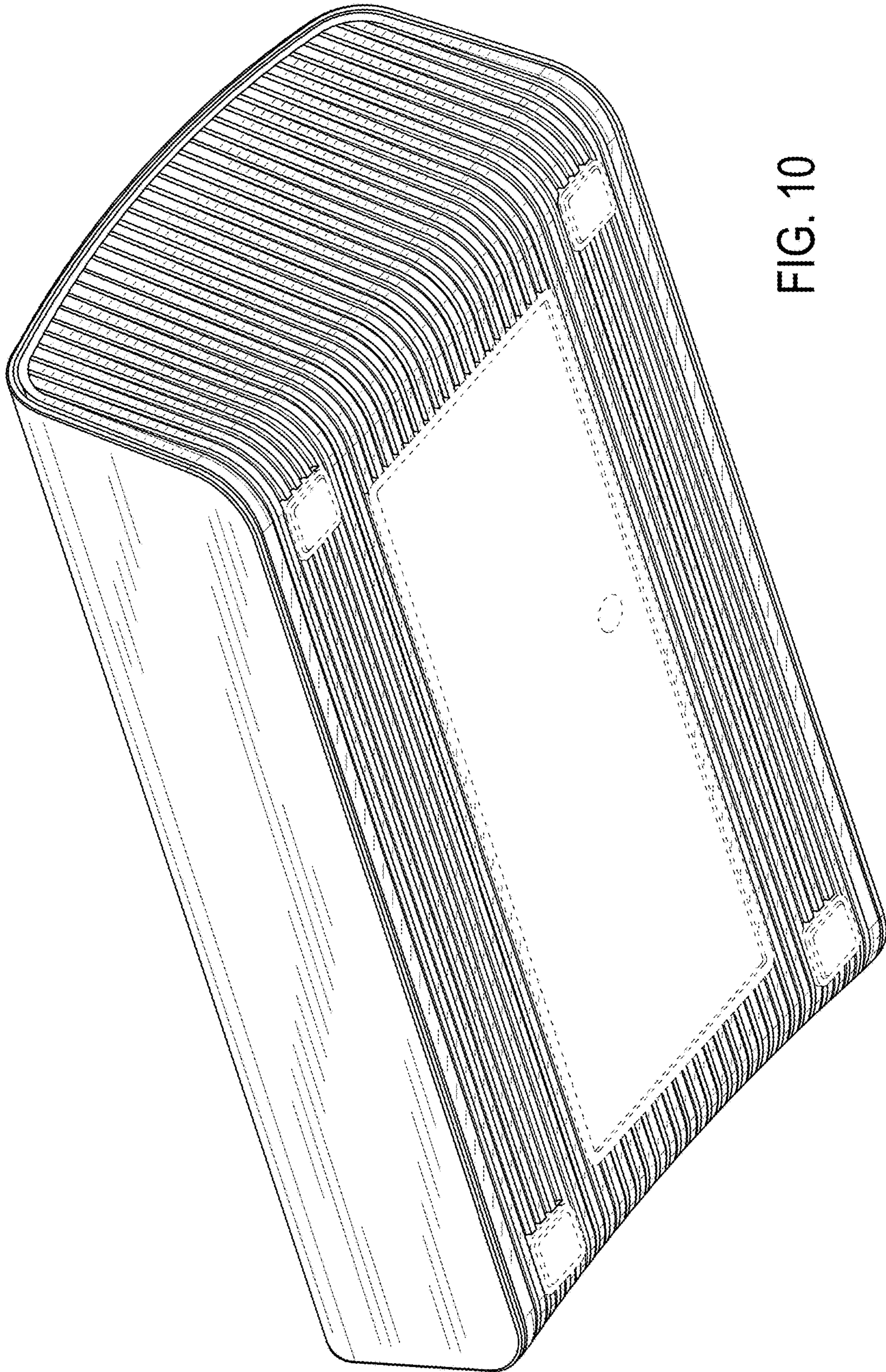


FIG. 10

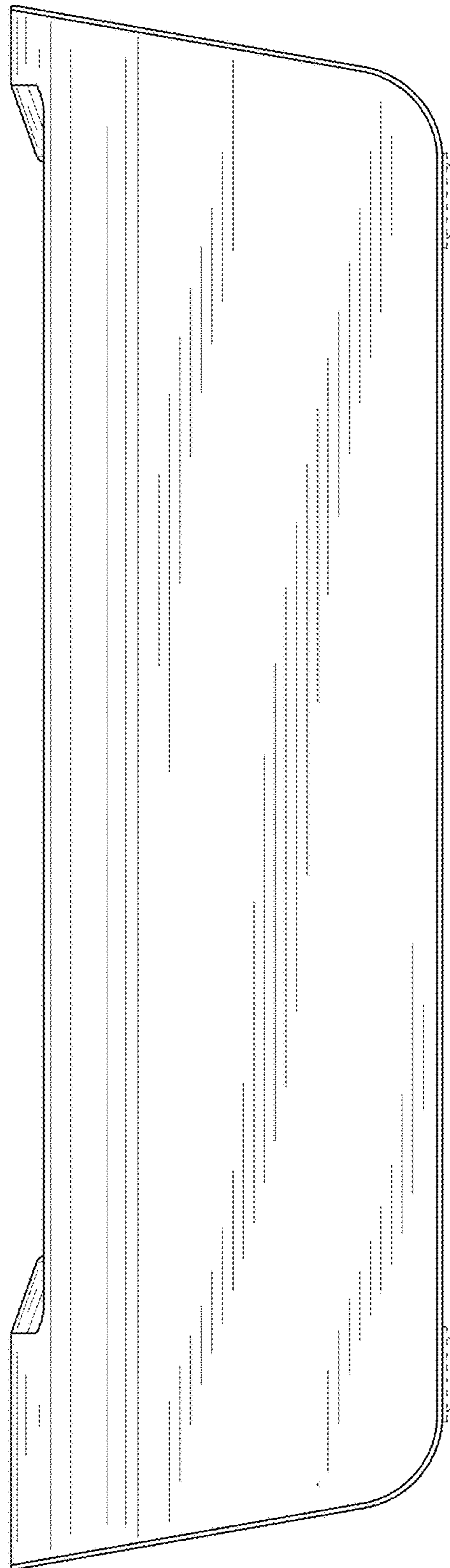


FIG. 11

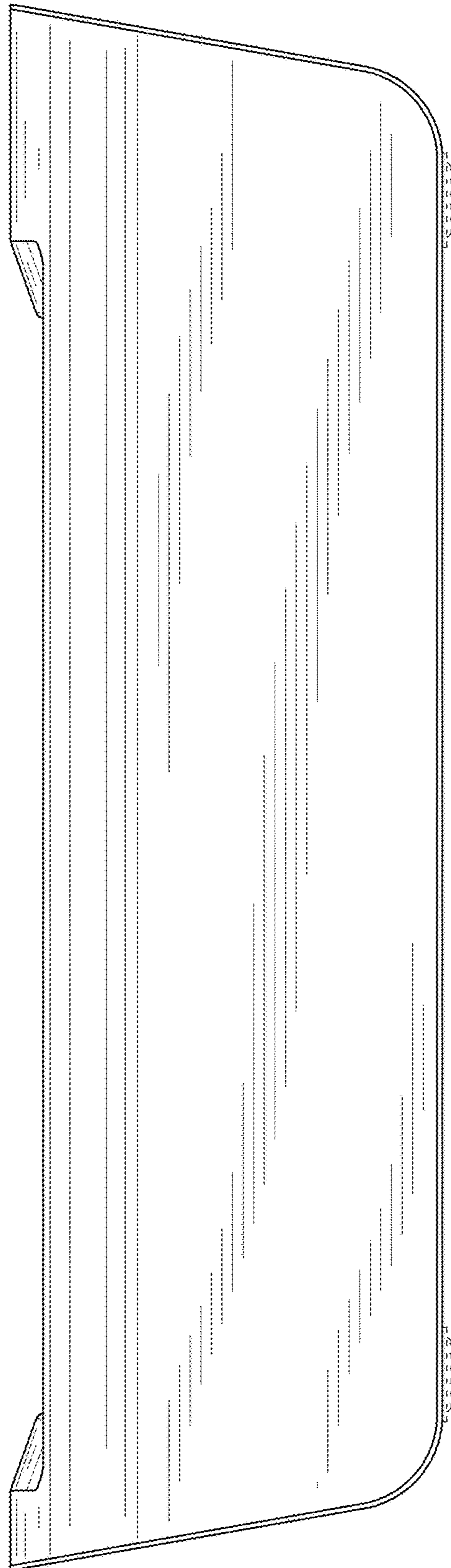


FIG. 12

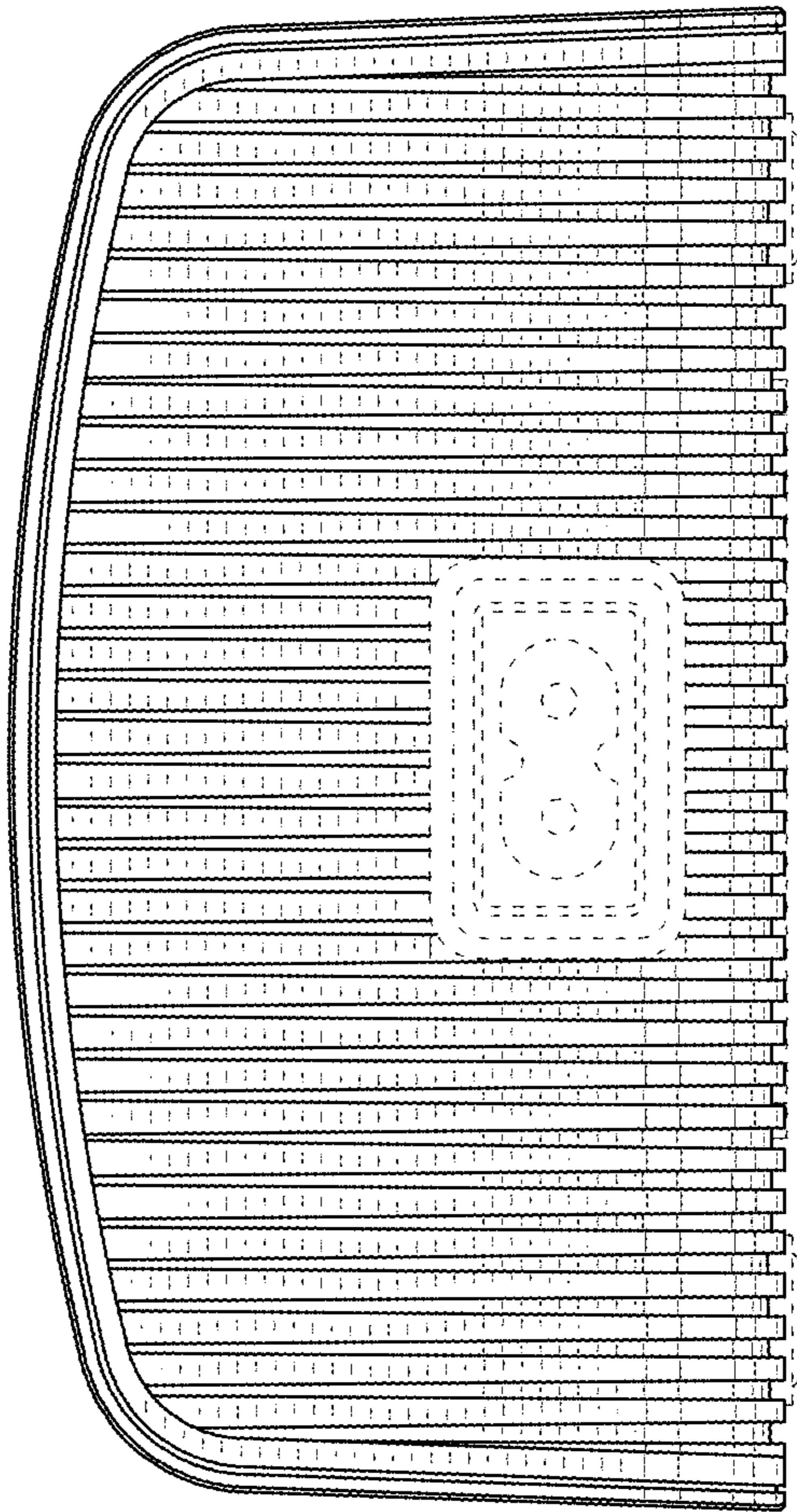


FIG. 13

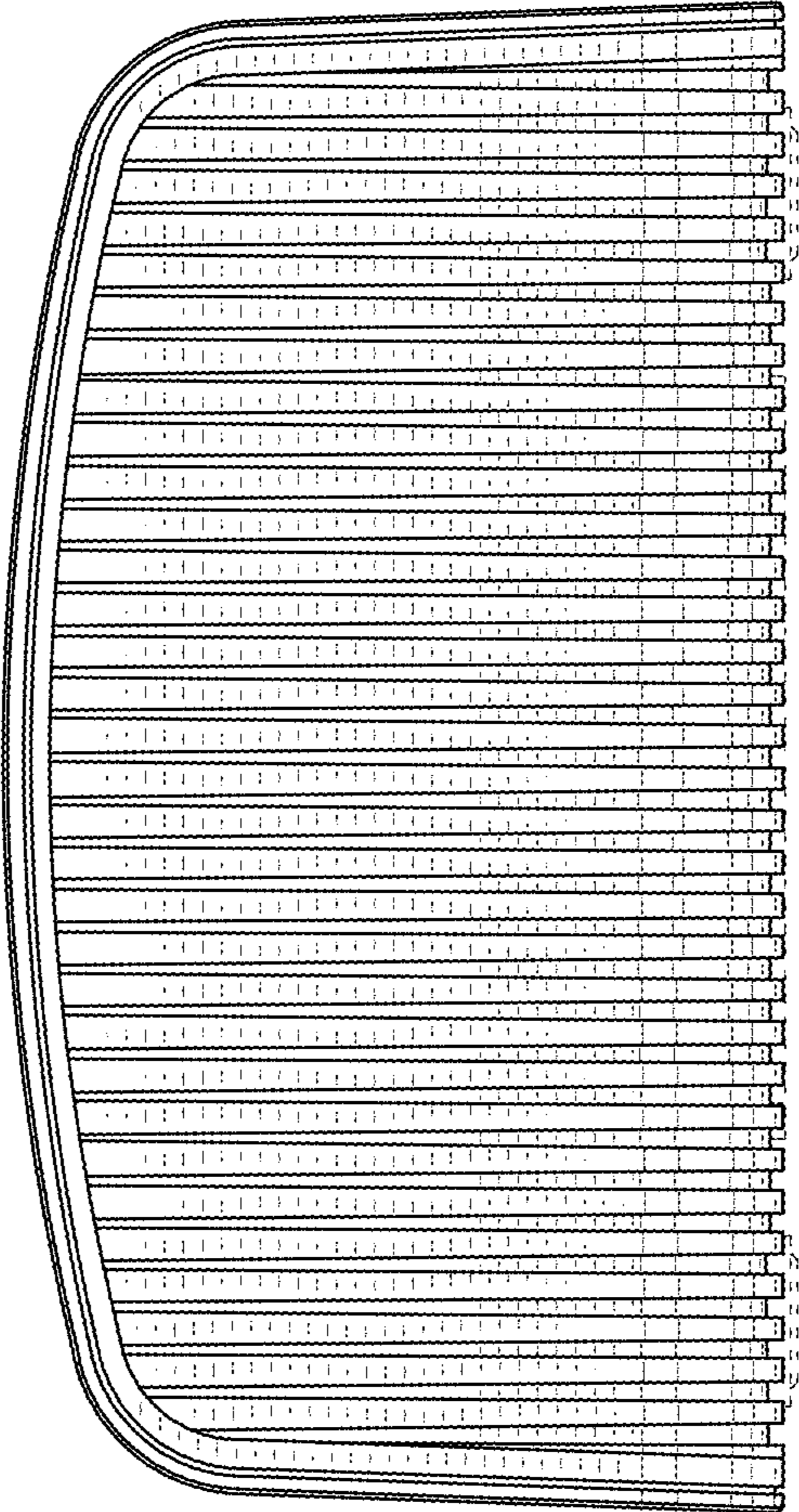


FIG. 14

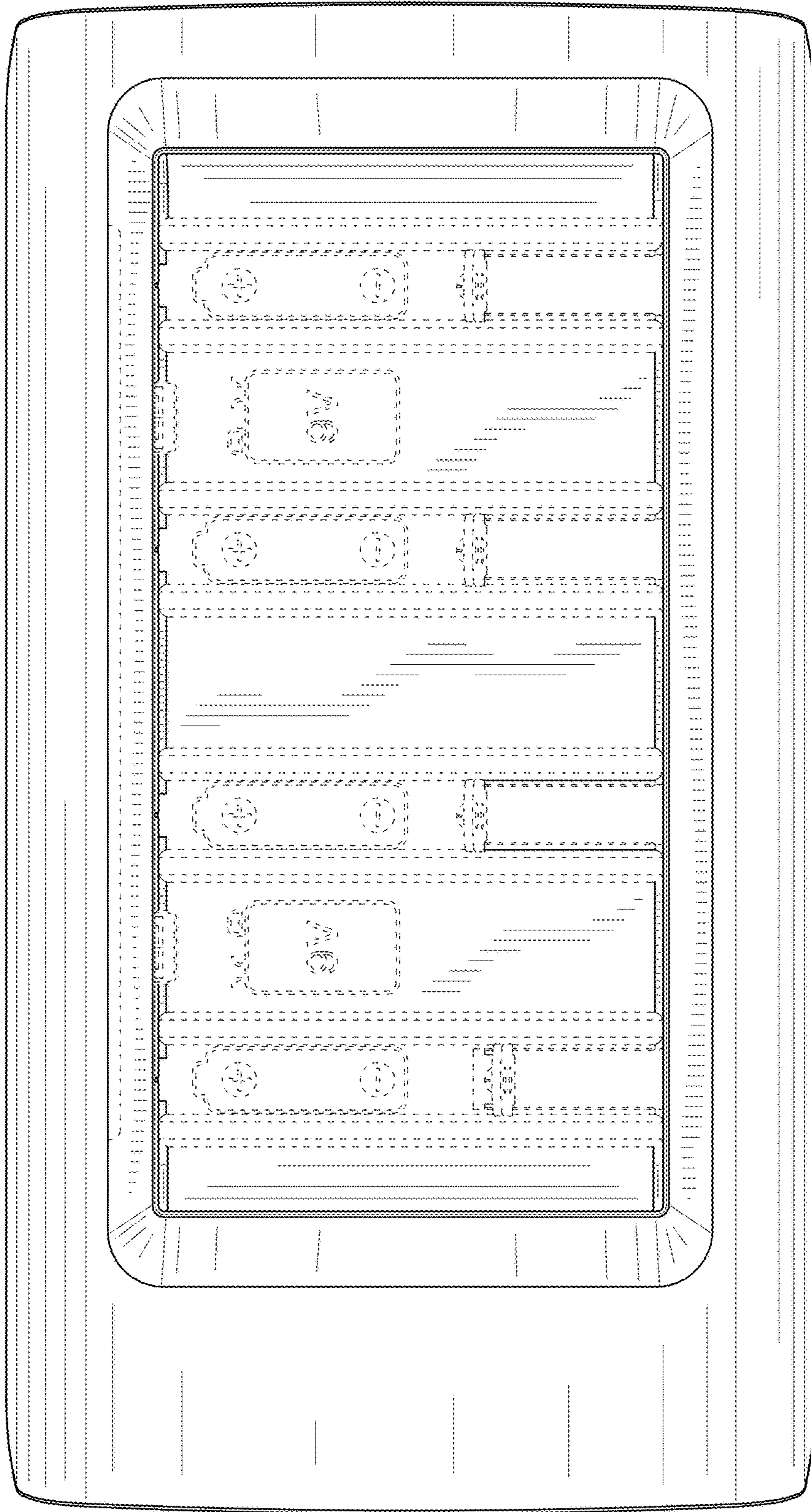


FIG. 15

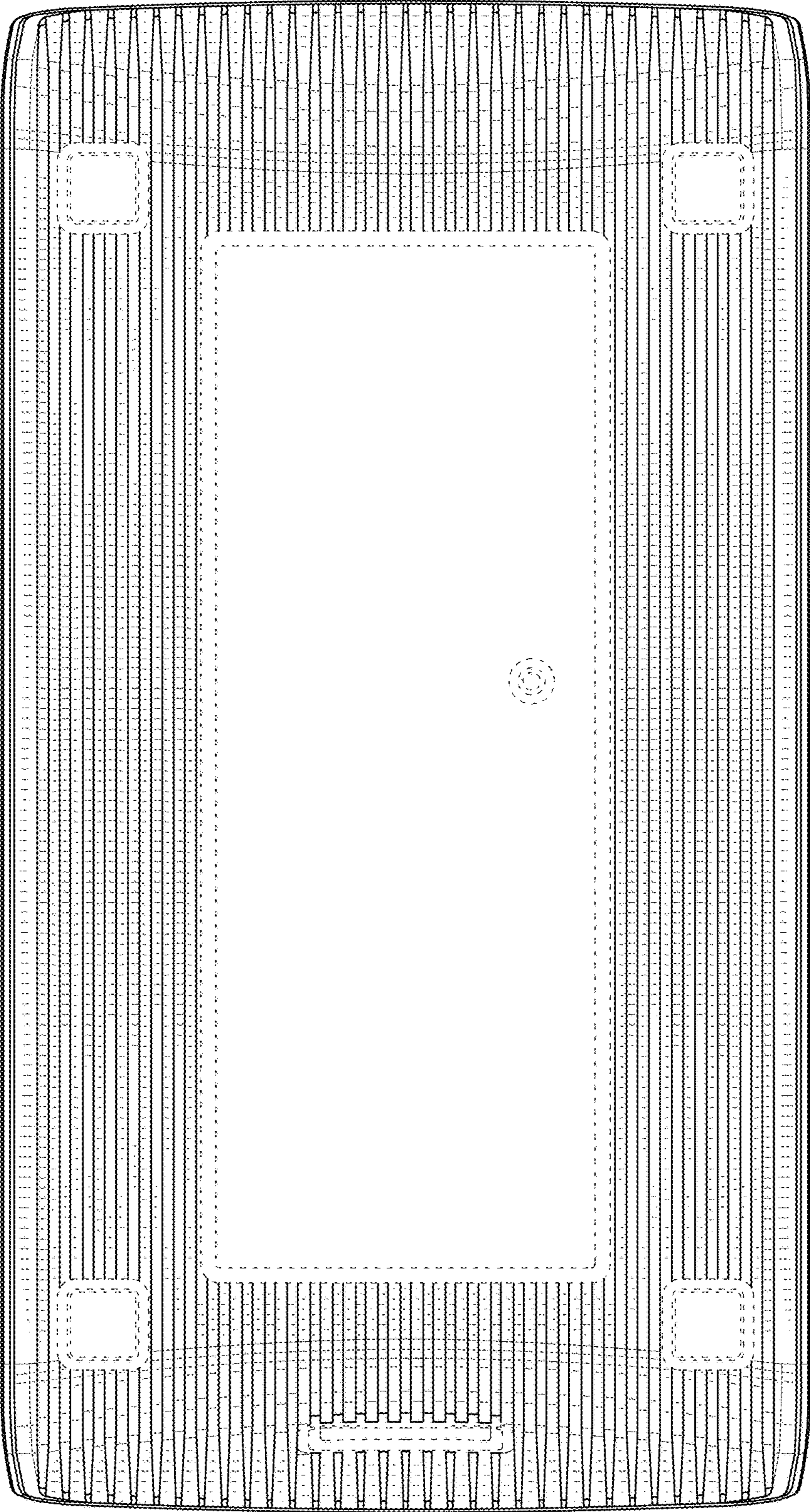


FIG. 16