



US00D822596S

(12) **United States Design Patent**
Roy-Mayhew

(10) **Patent No.:** **US D822,596 S**
(45) **Date of Patent:** **** Jul. 10, 2018**

(54) **CHARGING ADAPTER**

(71) Applicant: **Vorbeck Materials**, Jessup, MD (US)

(72) Inventor: **Joseph D Roy-Mayhew**, Baltimore, MD (US)

(73) Assignee: **Vorbeck Materials Corp.**, Jessup, MD (US)

(**) Term: **14 Years**

(21) Appl. No.: **29/514,327**

(22) Filed: **Jan. 11, 2015**

(51) **LOC (11) Cl.** **13-02**

(52) **U.S. Cl.**
USPC **D13/107**

(58) **Field of Classification Search**
USPC D13/102–110, 133, 154, 156, 118–121, D13/184, 199; 429/96–100, 163, 176
CPC Y02E 60/12; Y02E 60/122; Y02E 60/124; Y02E 60/50; H01M 2/02; H01M 2/022; H01M 2/0202; H01M 2/0207; H01M 2/0212; H01M 2/1061; H01M 2/1022; H01M 2/1055; H01M 2/1066; H01M 2/105; H01M 2/204; H01M 10/4257; H01M 10/0436; H01M 10/48
See application file for complete search history.

(56) **References Cited**

U.S. PATENT DOCUMENTS

D335,277 S *	5/1993	Hattori	D13/103
D395,282 S *	6/1998	Rudoy	D13/133
D407,687 S *	4/1999	Tashiro	D13/110
D408,784 S *	4/1999	Maeyama	D13/103
D417,861 S *	12/1999	Maeyama	D13/103
D435,827 S *	1/2001	Rausch	D13/103
D443,584 S *	6/2001	Breyton	D13/103
D519,922 S *	5/2006	Andre	D13/110

D546,277 S *	7/2007	Andre	D13/103
D559,193 S *	1/2008	Stavoe	D13/133
D561,093 S *	2/2008	Sween	D13/110
D561,094 S *	2/2008	Sween	D13/110
D606,936 S *	12/2009	Nakayama	D13/110
D621,860 S *	8/2010	Fukano	D13/107
D624,011 S *	9/2010	Bertagnole	D13/103
D631,835 S *	2/2011	Neidhart	D13/103
D635,507 S *	4/2011	Ueda	D13/103
D637,552 S *	5/2011	Inman	D13/103
D642,517 S *	8/2011	Inman	D13/103
D652,380 S *	1/2012	Chen	D13/110
D654,867 S *	2/2012	Huppe	D13/110
D662,473 S *	6/2012	Andre	D13/110
D663,266 S *	7/2012	Tien	D13/110
D686,995 S *	7/2013	Nikayin	D13/152
D694,176 S *	11/2013	Buetow	D13/103
D700,138 S *	2/2014	Walz	D13/103
D708,189 S *	7/2014	An	D13/108
D709,444 S *	7/2014	Ibuki	D13/103
D711,270 S *	8/2014	McLean	D10/100
D717,728 S *	11/2014	Krauss	D13/103
D724,013 S *	3/2015	Zsolcsak	D13/103
D737,763 S *	9/2015	Capriola	D13/110

(Continued)

Primary Examiner — Rosemary K Tarcza

(74) *Attorney, Agent, or Firm* — Trentice V. Bolar, Esq.

(57) **CLAIM**

I claim the ornamental design for a charging adapter, substantially as shown and described.

DESCRIPTION

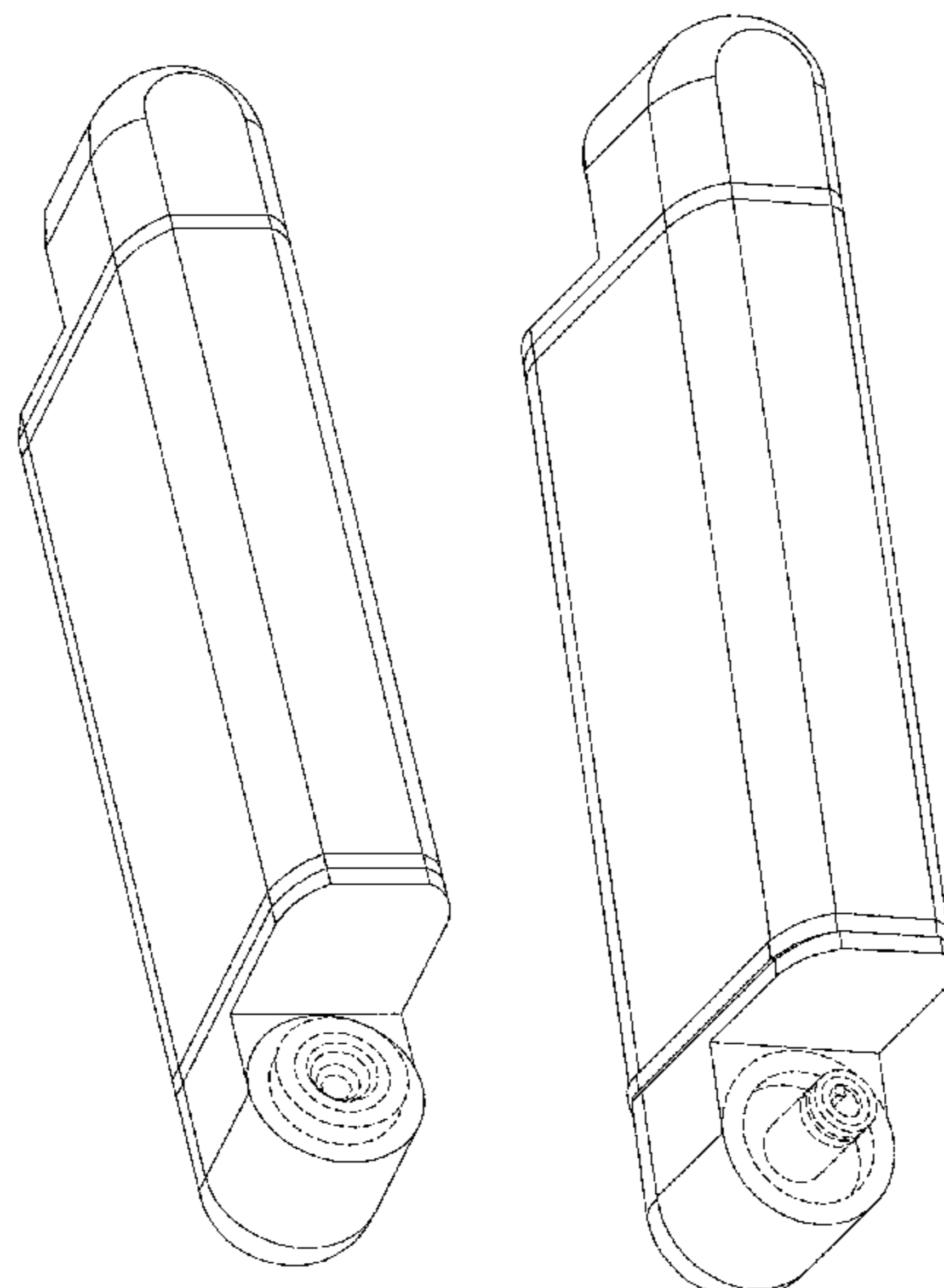
FIG. 1 is a left perspective view of a charging adapter, in accordance with the present design.

FIG. 2 is a right perspective view thereof; and,

FIG. 3 is a top view thereof.

The broken lines shown in the drawings are included for the purpose of illustrating unclaimed portions of the charging adapter and form no part of the claimed design.

1 Claim, 3 Drawing Sheets



(56)

References Cited

U.S. PATENT DOCUMENTS

D740,222 S	*	10/2015	Tang	D13/103
D754,602 S	*	4/2016	Capriola	D13/110
D760,645 S	*	7/2016	Chen	D13/103
D766,175 S	*	9/2016	Tsiopanos	D13/103

* cited by examiner

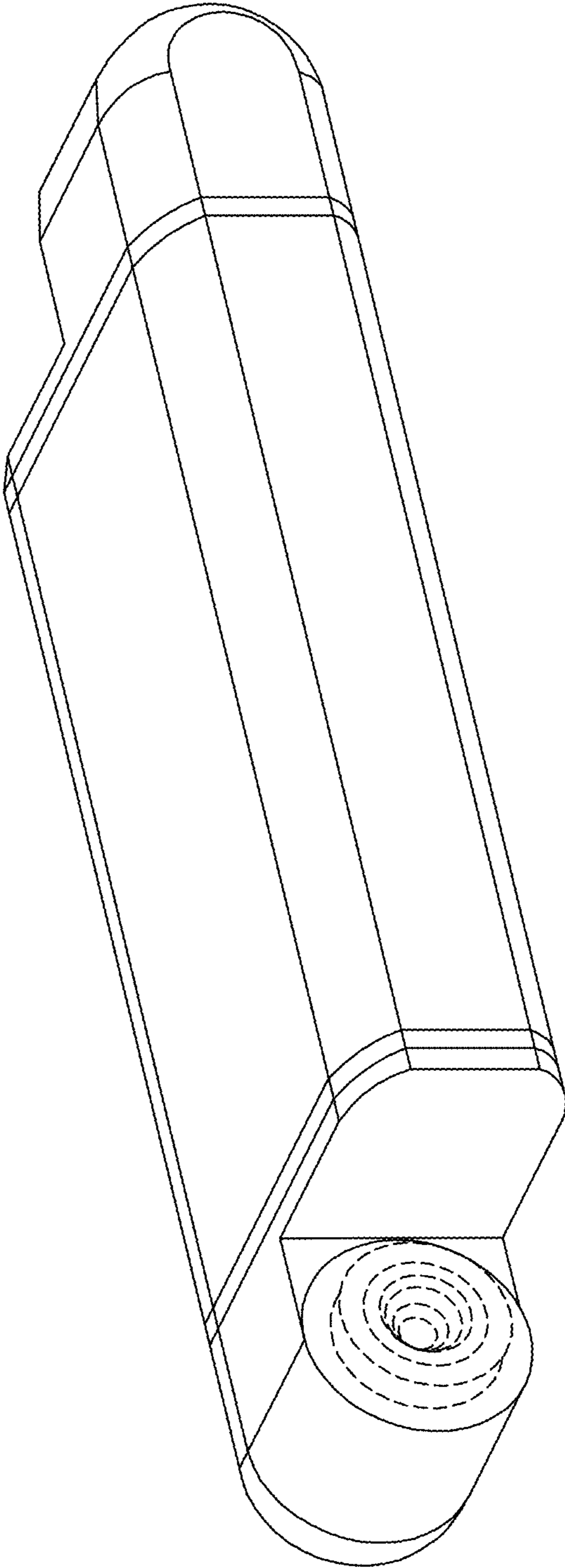


FIG. 1

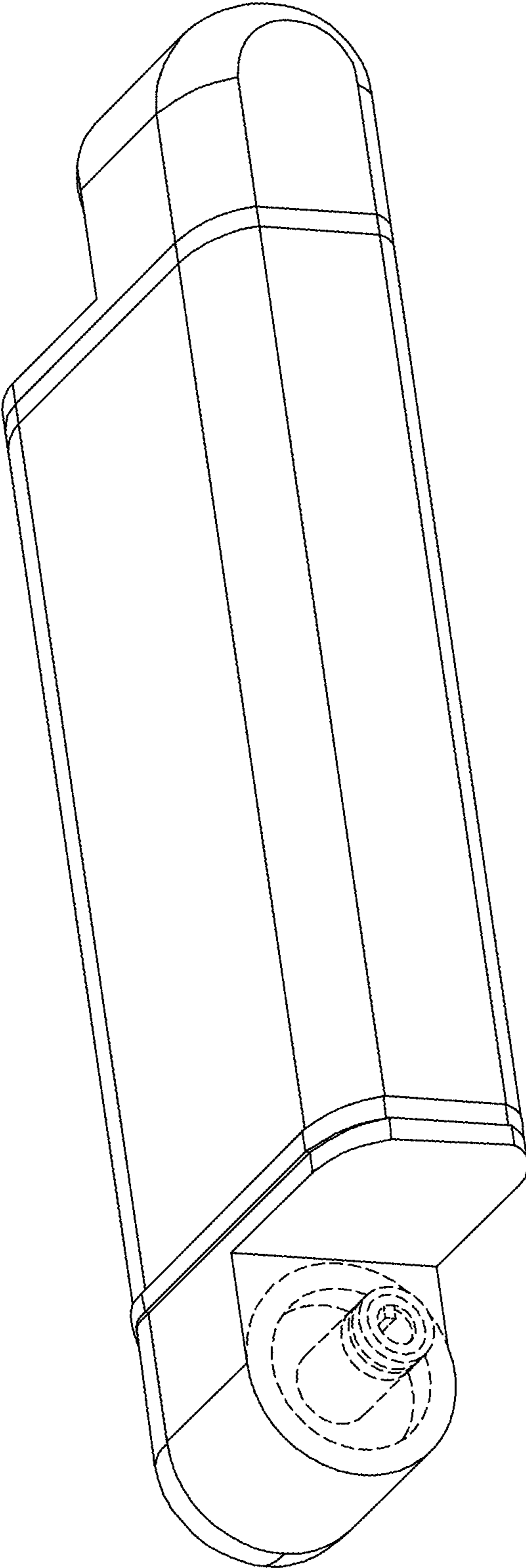


FIG. 2

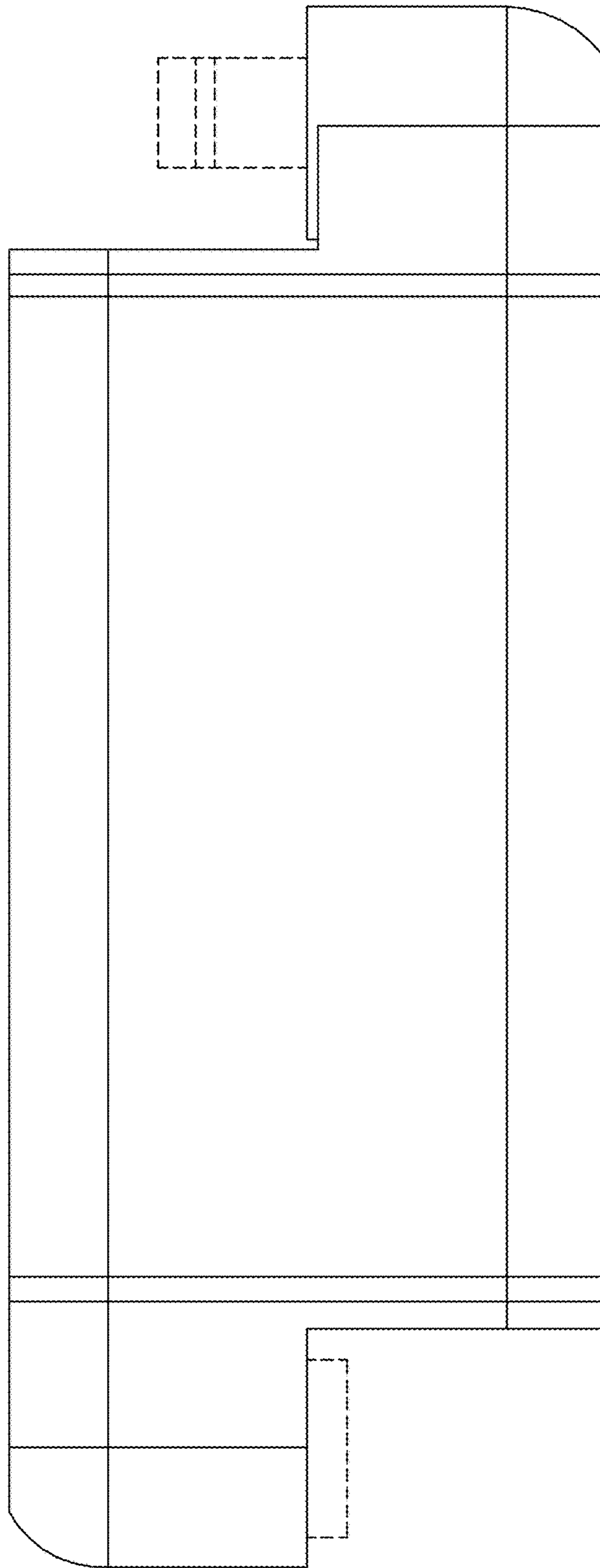


FIG. 3