



US00D822594S

(12) **United States Design Patent**
Corvese

(10) **Patent No.:** **US D822,594 S**
(45) **Date of Patent:** **** Jul. 10, 2018**

- (54) **BATTERY**
- (71) Applicant: **ZIH CORP.**, Lincolnshire, IL (US)
- (72) Inventor: **Matthew D. Corvese**, Warwick, RI (US)
- (73) Assignee: **ZIH Corp.**, Lincolnshire, IL (US)
- (**) Term: **15 Years**
- (21) Appl. No.: **29/560,976**
- (22) Filed: **Apr. 12, 2016**
- (51) **LOC (11) Cl.** **13-02**
- (52) **U.S. Cl.**
USPC **D13/103**
- (58) **Field of Classification Search**
USPC D13/102–106, 110, 118–119, 184
CPC Y02E 60/12; Y02E 60/122; Y02E 60/124;
Y02E 60/50; H01M 2/02; H01M 2/022;
H01M 2/0202; H01M 2/0207; H01M
2/0212; H01M 2/1061; H01M 2/1022;
H01M 2/1055; H01M 2/1066; H01M
2/105; H01M 2/204; H01M 2/1016;
H01M 2200/00; H01M 10/4257; H01M
10/0436; H01M 10/48; H01M 10/42
See application file for complete search history.

- (56) **References Cited**
U.S. PATENT DOCUMENTS
D427,563 S * 7/2000 Waldner D13/103
D507,523 S * 7/2005 Resch D13/103
D534,491 S 1/2007 Panebianco et al.
D538,225 S 3/2007 Lyman et al.
D538,226 S 3/2007 Lyman et al.
D557,204 S 12/2007 Panebianco et al.
D579,890 S * 11/2008 Lee D14/129
D584,683 S 1/2009 Preliasco et al.

- D592,131 S * 5/2009 Heinzen D13/103
- D642,517 S * 8/2011 Inman D13/103
- D685,729 S 7/2013 Lyman
- D686,570 S 7/2013 Hutnak
- D693,292 S * 11/2013 Salvi D13/103
- D699,675 S * 2/2014 Jacobs H04R 27/00
D13/110
- 8,865,339 B2 * 10/2014 Enari H01M 2/105
429/156
- D727,254 S * 4/2015 Kinoshita D13/103
- D751,499 S * 3/2016 Phillips D13/103
- D762,566 S * 8/2016 Tea D13/103
- D768,071 S * 10/2016 Kim D13/103
- D780,111 S * 2/2017 Clyne D13/103
- D785,561 S 5/2017 Lyman
- D795,801 S * 8/2017 Fletcher D13/103
- D802,528 S * 11/2017 Zhang D13/103

* cited by examiner

Primary Examiner — Rosemary K Tarcza
Assistant Examiner — Nathaniel D. Buckner

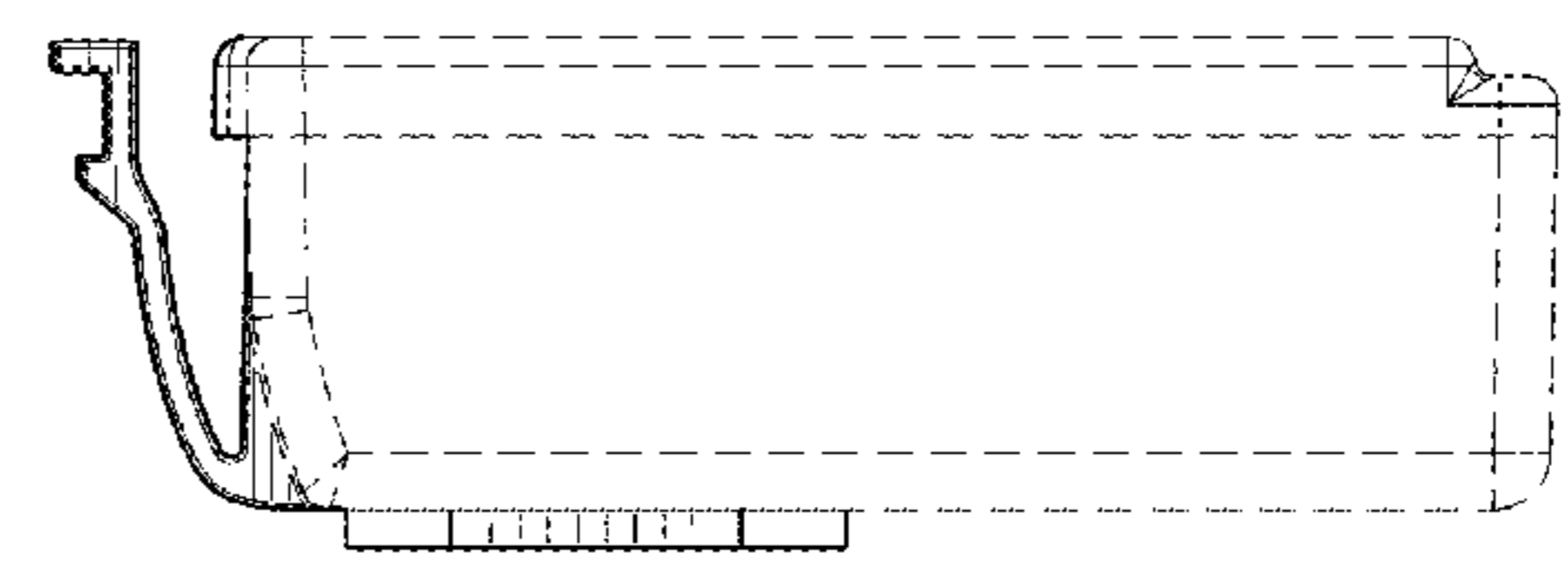
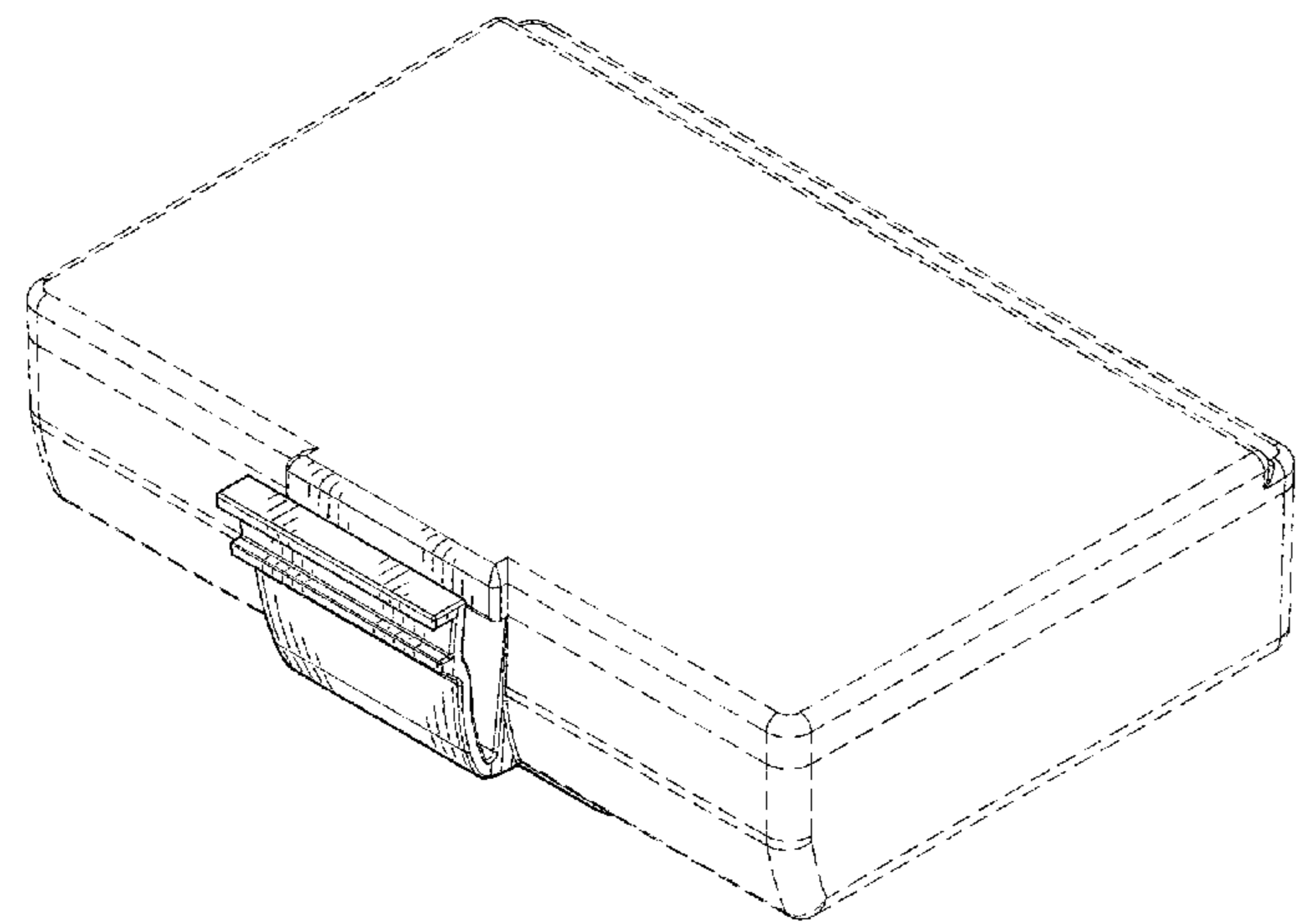
(57) **CLAIM**

I claim the ornamental design for a battery, as shown and described.

DESCRIPTION

FIG. 1 is a perspective view of a battery, showing my new design;
FIG. 2 is another perspective view thereof;
FIG. 3 is a top view thereof;
FIG. 4 is a bottom view thereof;
FIG. 5 is a front view thereof;
FIG. 6 is a back view thereof;
FIG. 7 is a first side view thereof; and,
FIG. 8 is a second side view thereof.
The broken lines in the figures depict portions of the article which form no part of the claimed design.

1 Claim, 6 Drawing Sheets



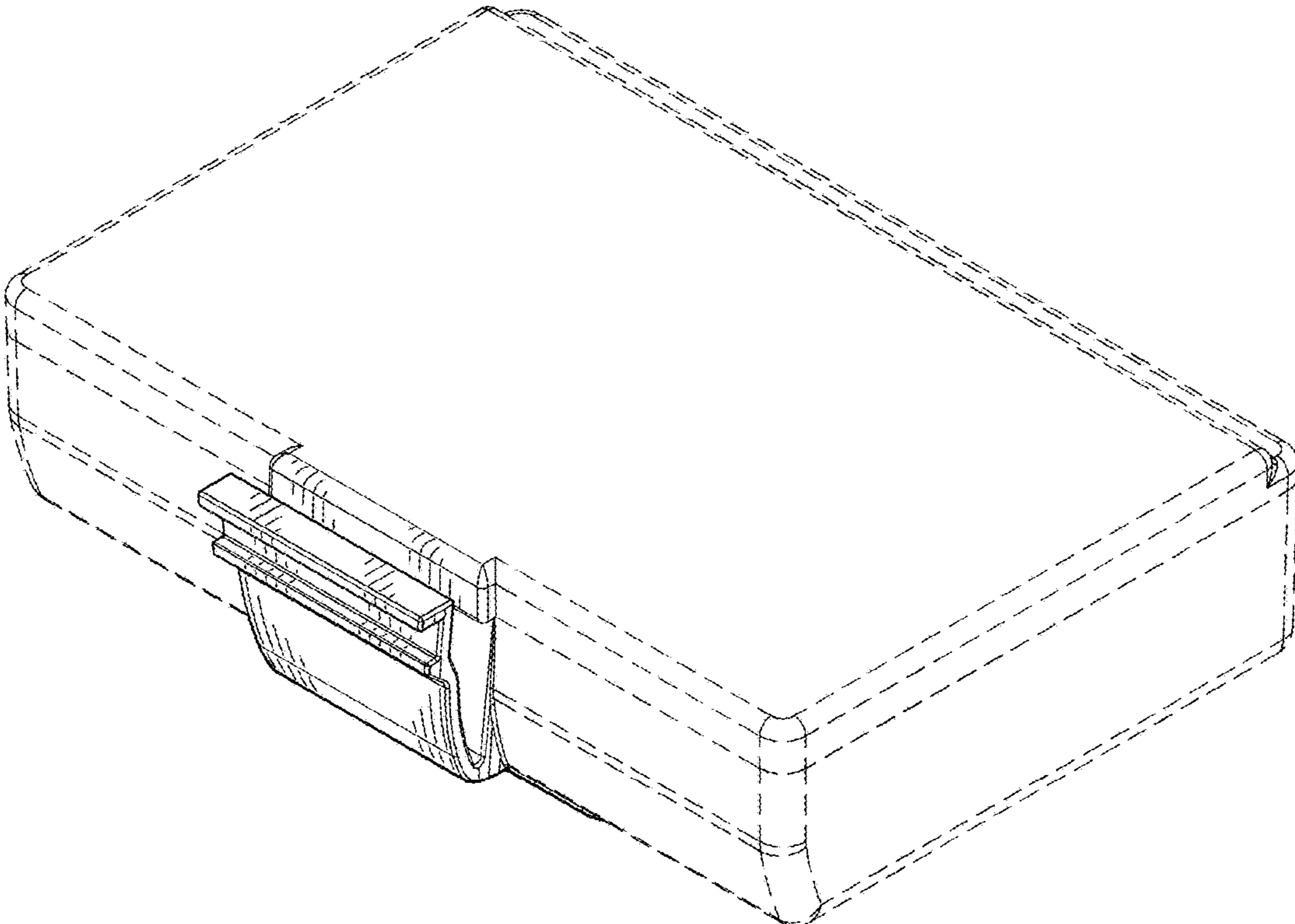


FIG. 1

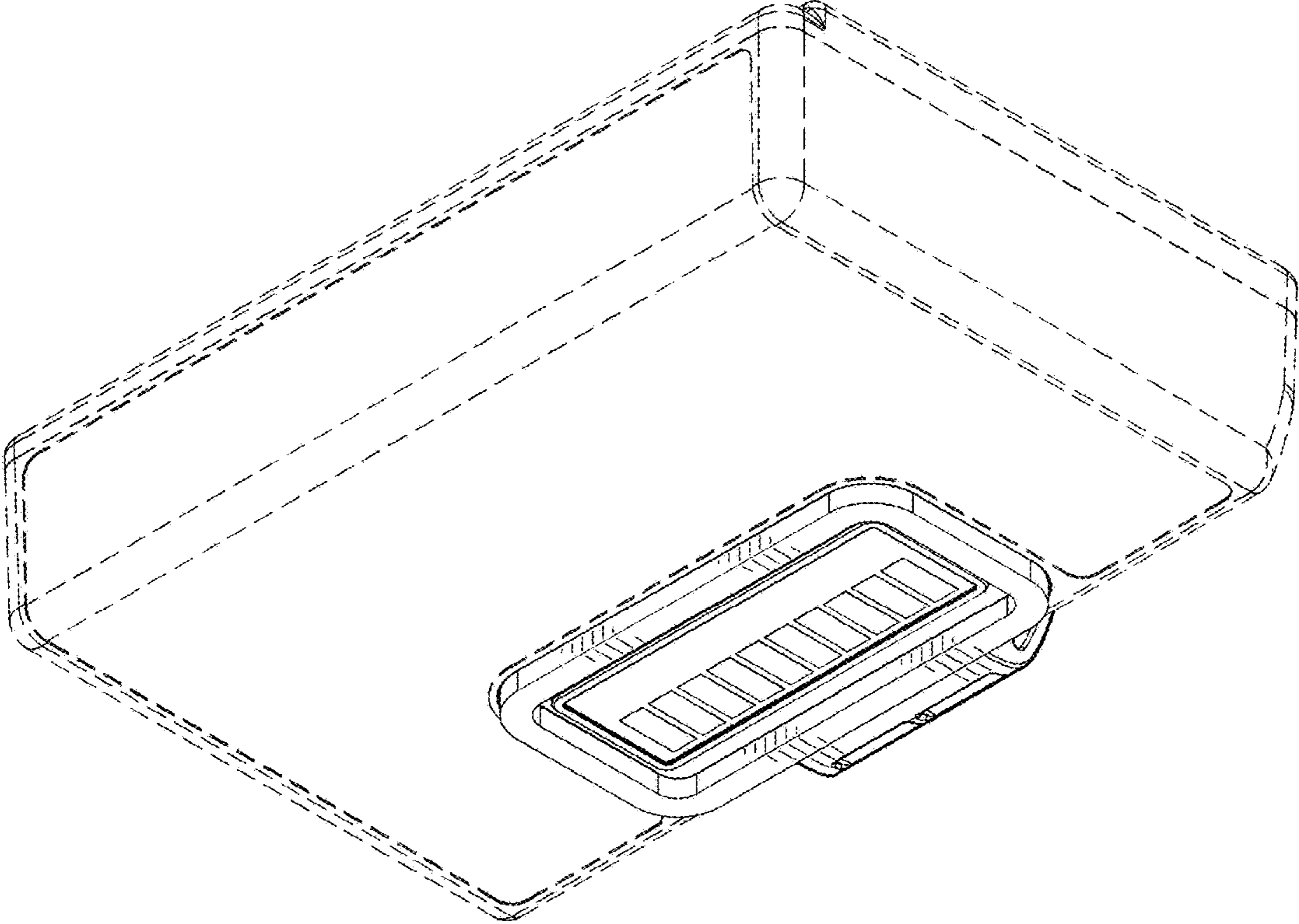


FIG. 2

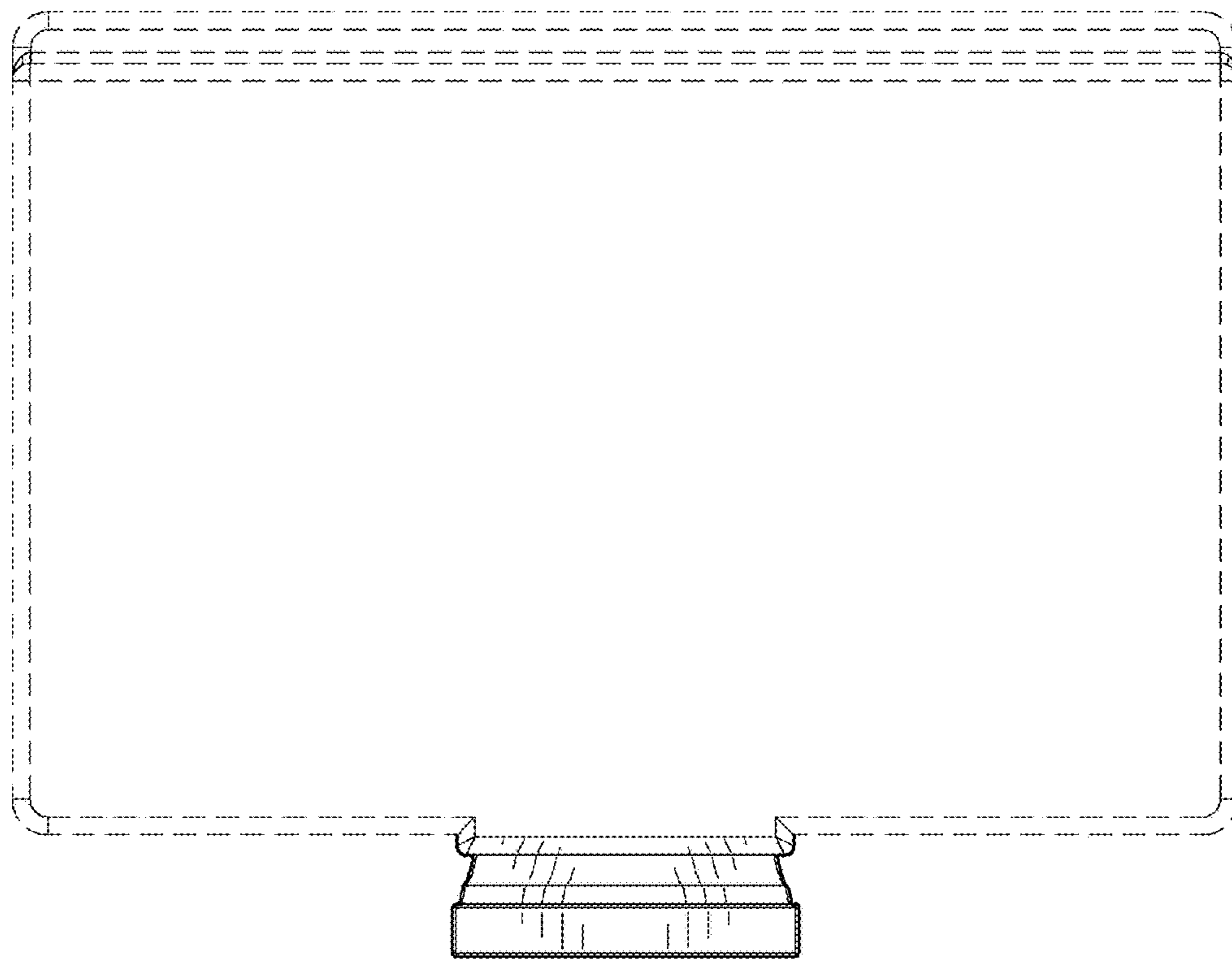


FIG. 3

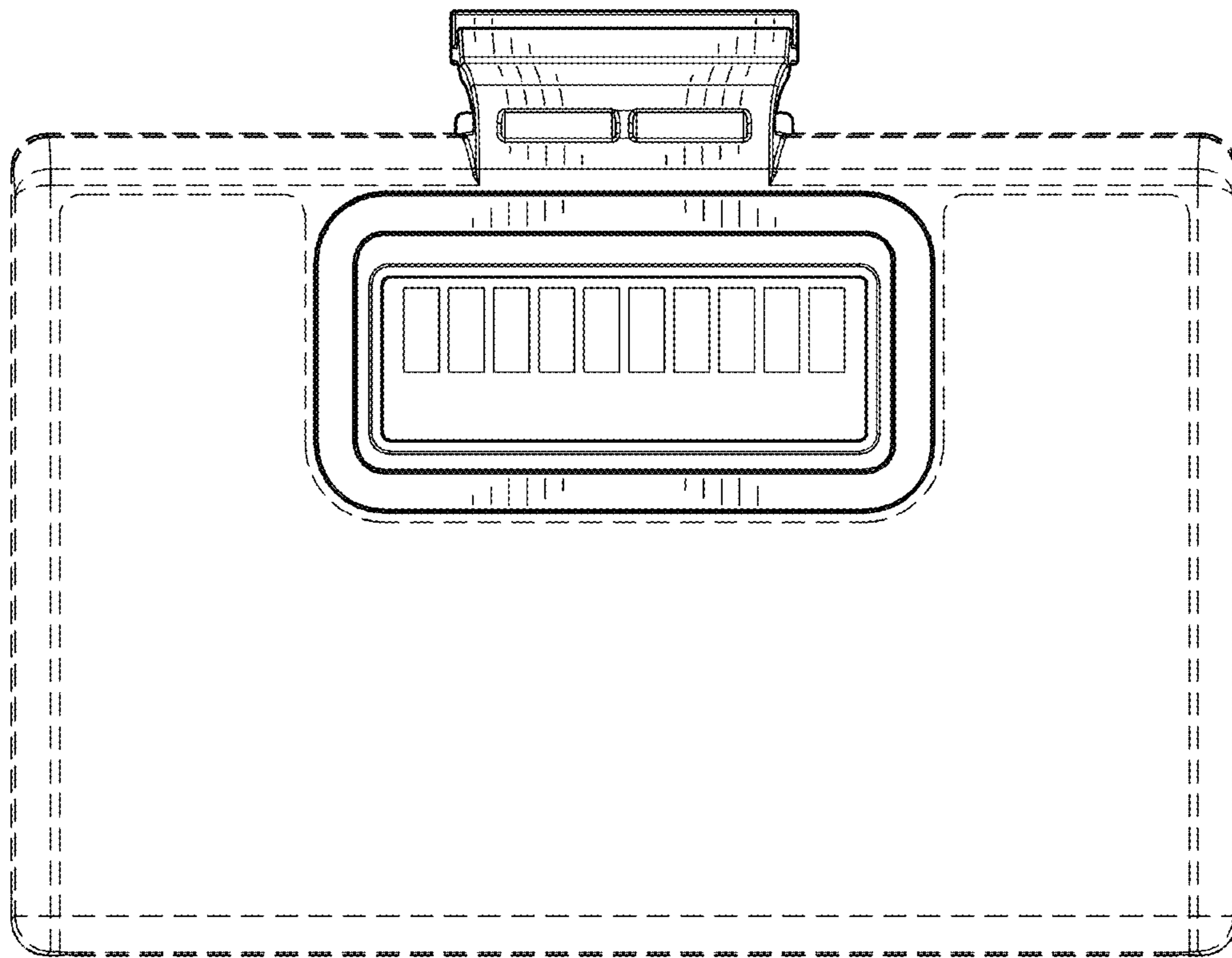


FIG. 4

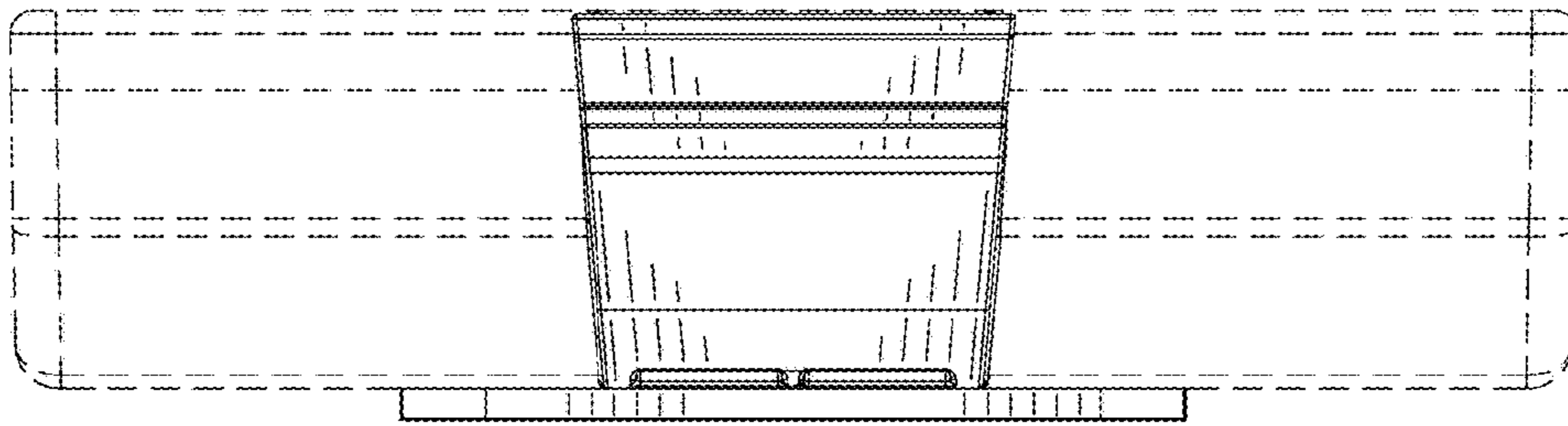


FIG. 5

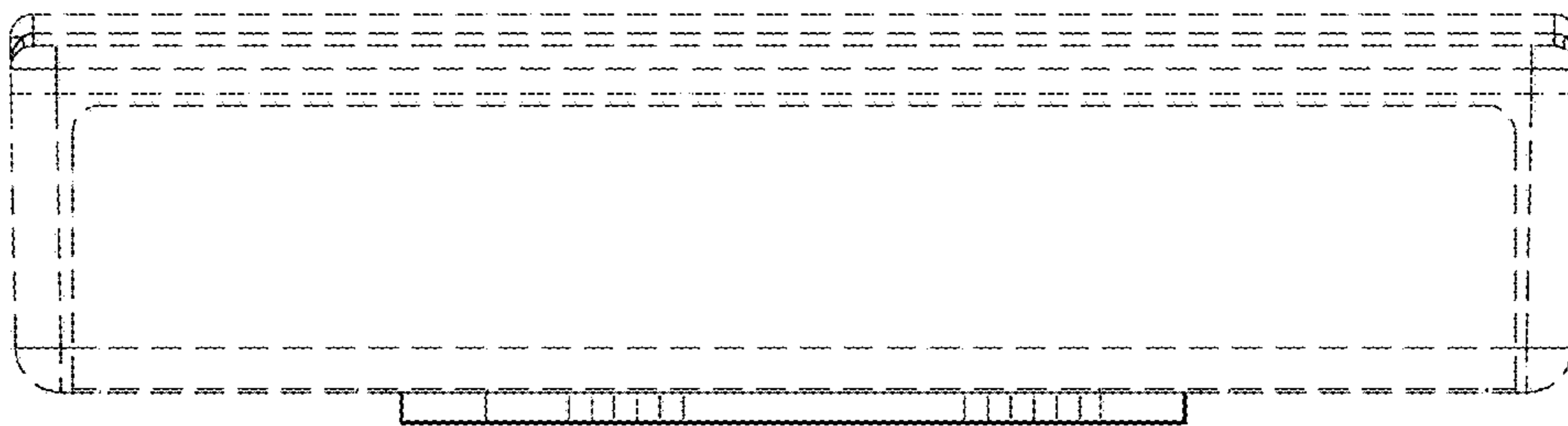


FIG. 6

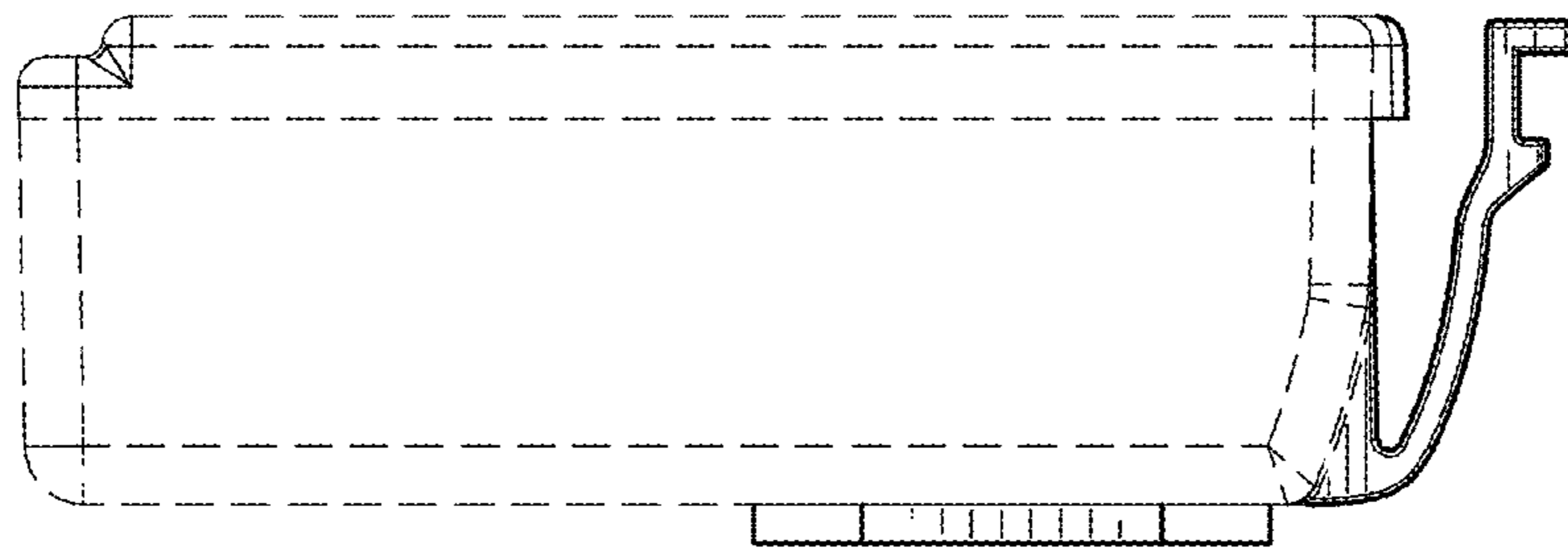


FIG. 7

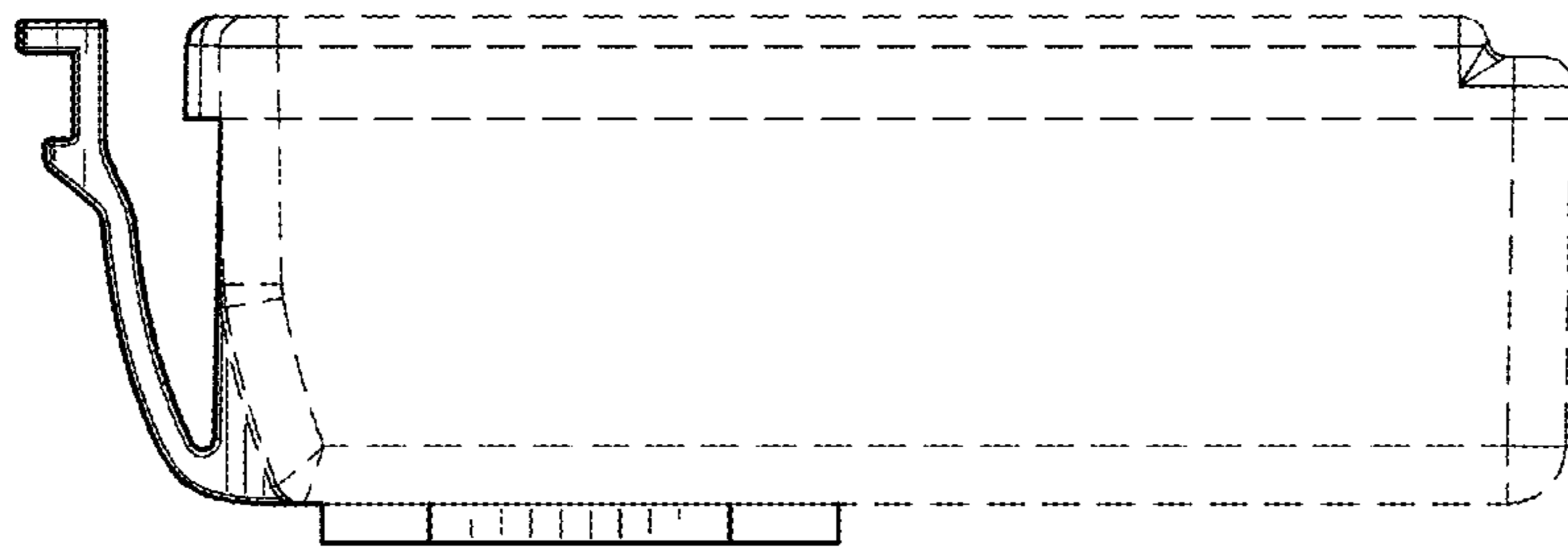


FIG. 8