



US00D822593S

(12) **United States Design Patent**
Trongone

(10) **Patent No.:** **US D822,593 S**
(45) **Date of Patent:** **** Jul. 10, 2018**

(54) **BATTERY**

(71) Applicant: **SYMBOL TECHNOLOGIES, LLC**,
Lincolnshire, IL (US)

(72) Inventor: **Eric Trongone**, West Babylon, NY
(US)

(73) Assignee: **Symbol Technologies, LLC**, Holtsville,
NY (US)

(**) Term: **15 Years**

(21) Appl. No.: **29/558,188**

(22) Filed: **Mar. 15, 2016**

(51) **LOC (11) Cl.** **13-02**

(52) **U.S. Cl.**
USPC **D13/103**

(58) **Field of Classification Search**
USPC D13/102-106, 110, 118-119, 184
CPC Y02E 60/12; Y02E 60/122; Y02E 60/124;
Y02E 60/50; H01M 2/02; H01M 2/022;
H01M 2/0202; H01M 2/0207; H01M
2/0212; H01M 2/1061; H01M 2/1022;
H01M 2/1055; H01M 2/1066; H01M
2/105; H01M 2/204; H01M 2/1016;
H01M 2200/00; H01M 10/4257; H01M
10/0436; H01M 10/48; H01M 10/42
See application file for complete search history.

(56) **References Cited**

U.S. PATENT DOCUMENTS

D335,277 S	5/1993	Hattori	
D363,055 S *	10/1995	Kobayashi	D13/103
6,302,536 B1	10/2001	Sarma et al.	
D484,851 S	1/2004	Voli	
D528,071 S *	9/2006	Croley	D13/103
D581,866 S	12/2008	Choi et al.	
D701,509 S	3/2014	DeGiovine et al.	
D716,729 S	11/2014	Kelly et al.	

D744,110 S	11/2015	Kubo et al.	
9,367,723 B1	6/2016	Drzymala et al.	
D766,175 S *	9/2016	Tsiopanos	D13/103
D768,068 S *	10/2016	Chen	D13/103
D772,455 S *	11/2016	Chen	D26/38
D800,379 S *	10/2017	Fang	D27/139
9,780,580 B1 *	10/2017	Drzymala	H02J 7/0027
2011/0039143 A1 *	2/2011	Bacon	H01M 2/30 429/100
2013/0196203 A1	8/2013	Wackwitz et al.	
2015/0180317 A1 *	6/2015	Chitsaz	H02K 1/32 310/68 D
2016/0268731 A1 *	9/2016	Ziegenfuss	H02J 7/0045
2017/0030109 A1 *	2/2017	Duncan	G07C 9/00309

OTHER PUBLICATIONS

Design U.S. Appl. No. 29/559,575, filed Mar. 30, 2016.
Design U.S. Appl. No. 29/560,984, filed Apr. 12, 2016.

* cited by examiner

Primary Examiner — Rosemary K Tarcza
Assistant Examiner — Nathaniel D. Buckner

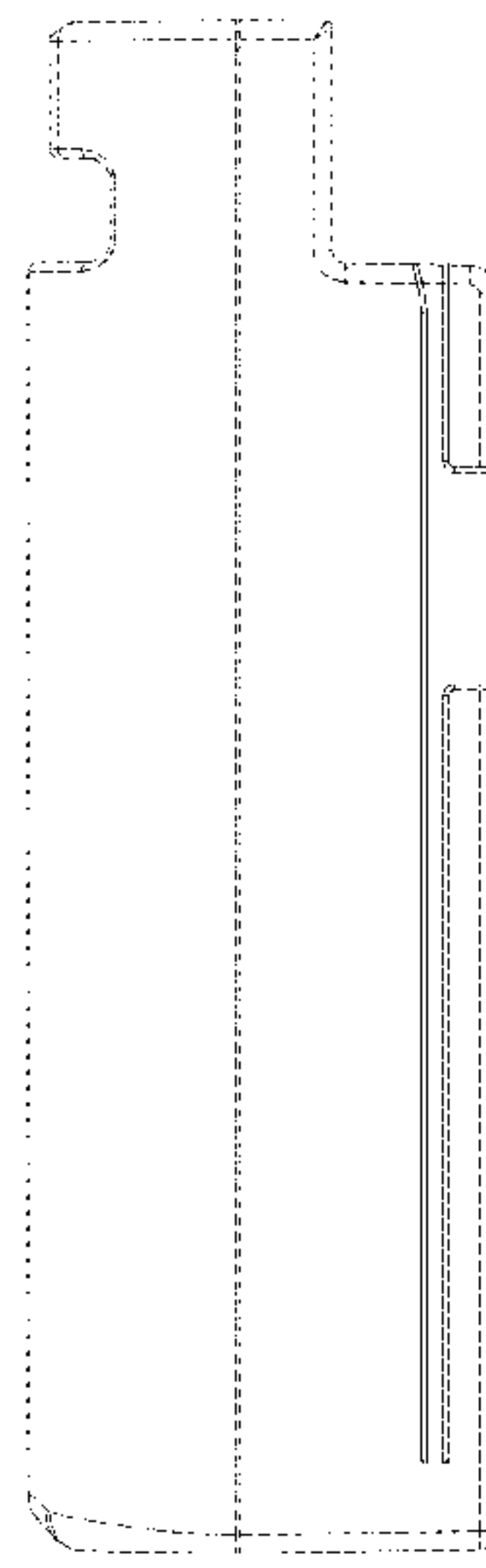
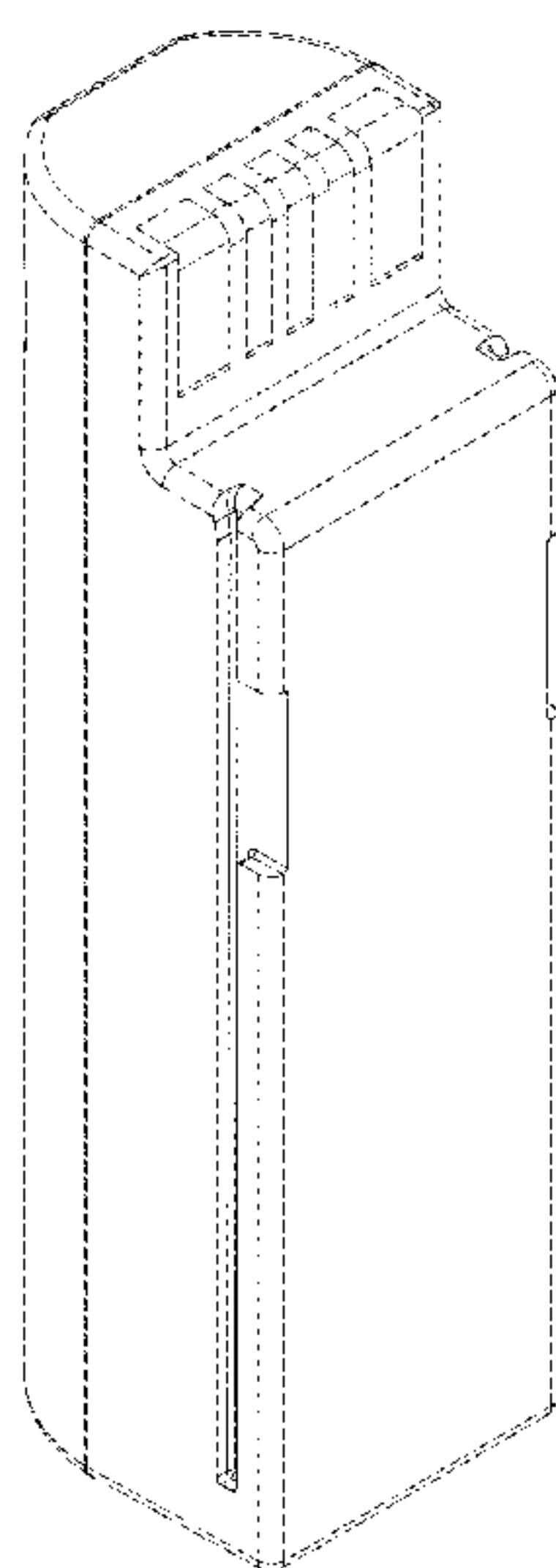
(57) **CLAIM**

The ornamental design for a battery, as shown and described.

DESCRIPTION

FIG. 1 is a top left perspective view of a battery showing my new design;
FIG. 2 is a bottom right perspective view thereof;
FIG. 3 is a left side elevation view thereof;
FIG. 4 is a right side elevation view thereof;
FIG. 5 is a top plan view thereof;
FIG. 6 is a bottom plan view thereof;
FIG. 7 is a front elevation view thereof; and,
FIG. 8 is a rear elevation view thereof.
The broken lines in the figures represent portions of the article which form no part of the claimed design.

1 Claim, 7 Drawing Sheets



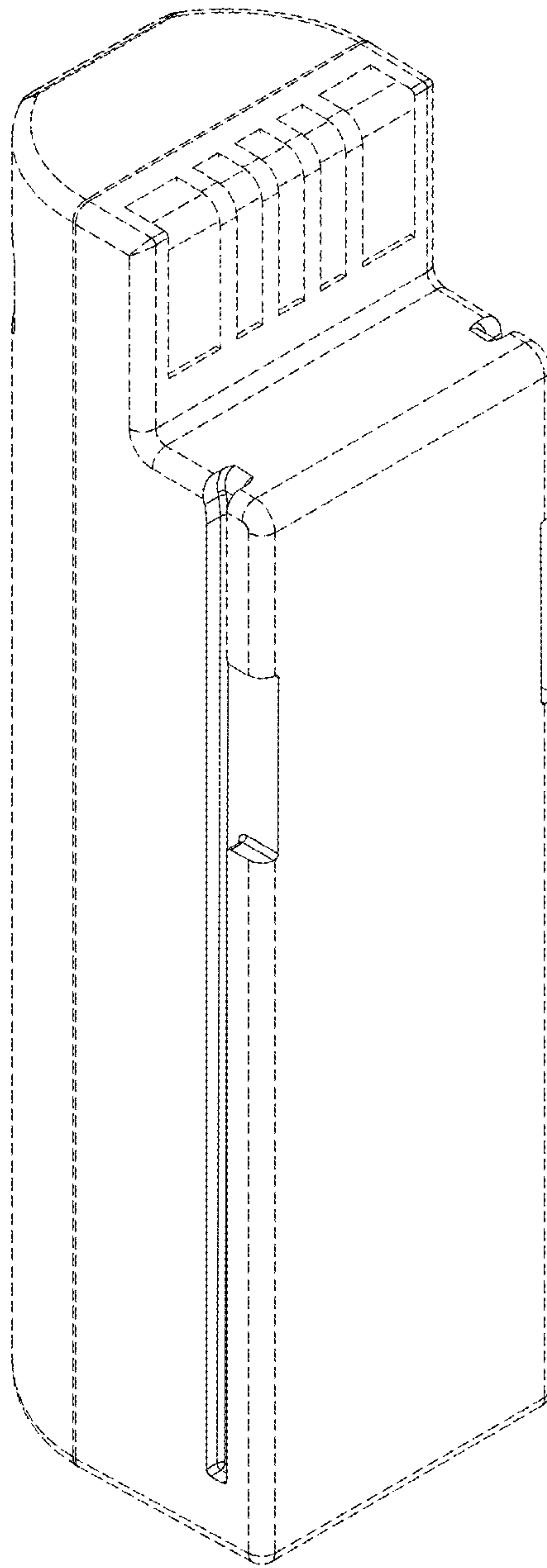


FIG. 1

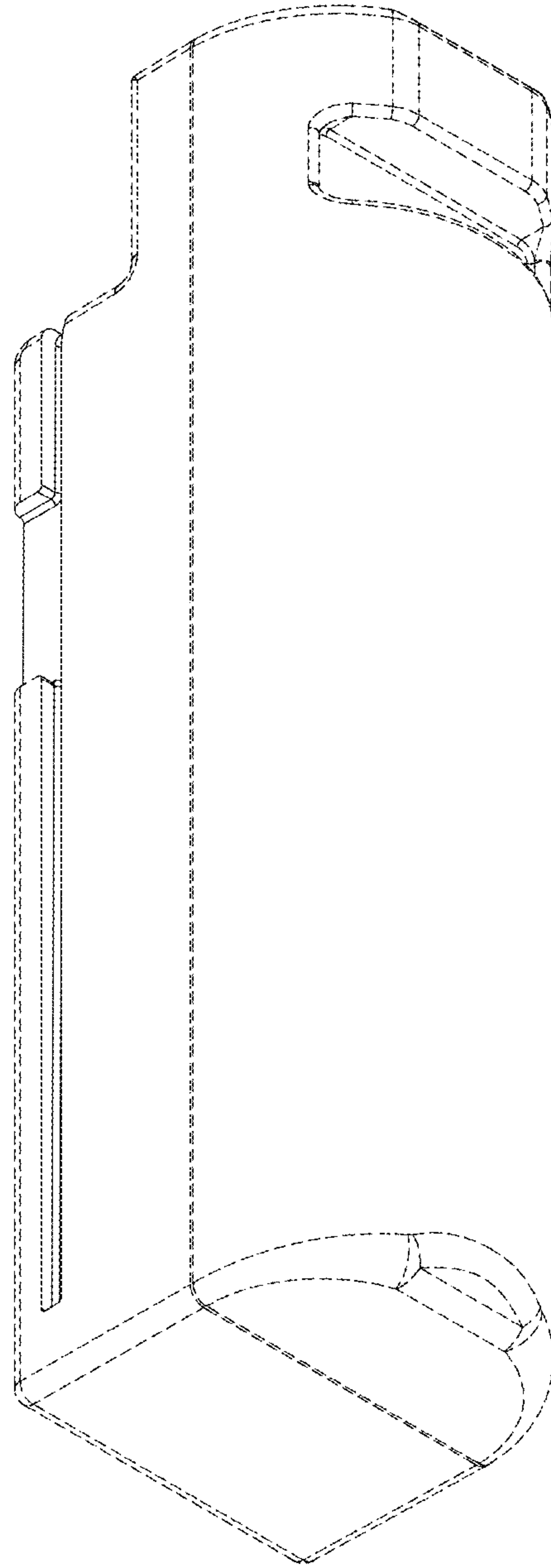


FIG. 2

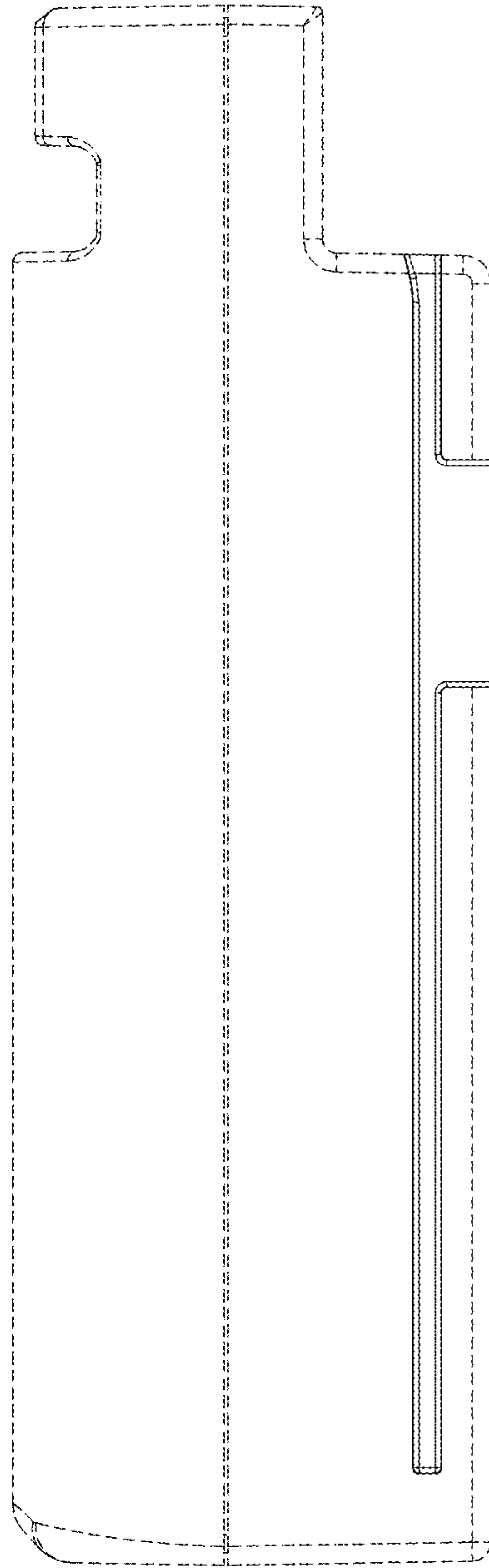


FIG. 3

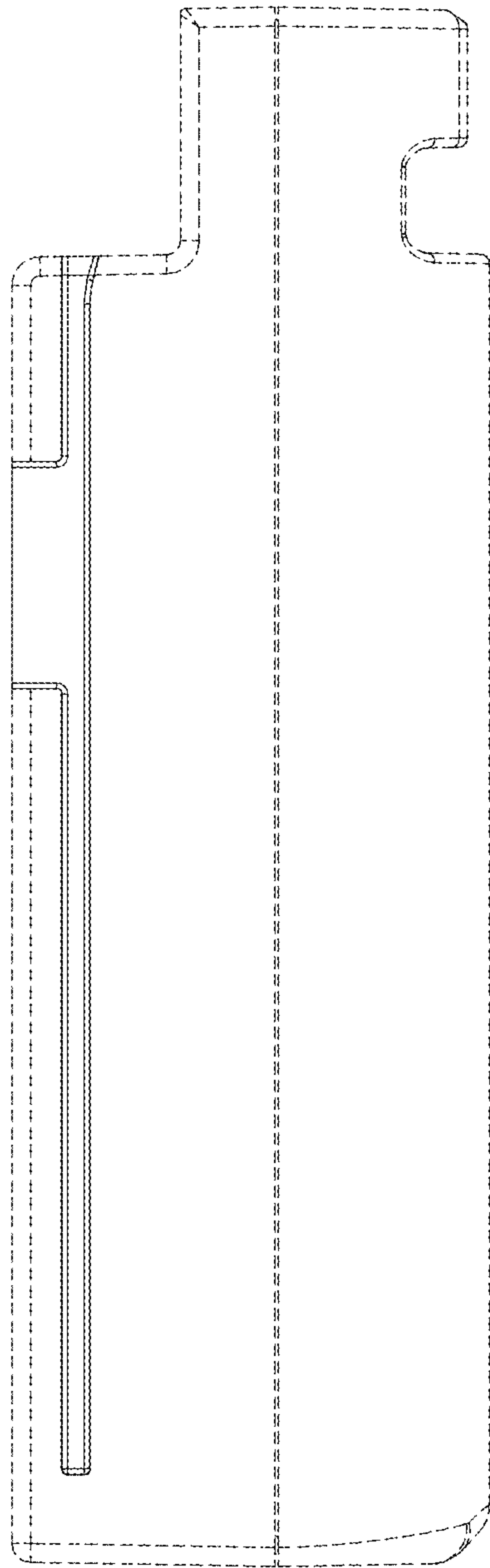


FIG. 4

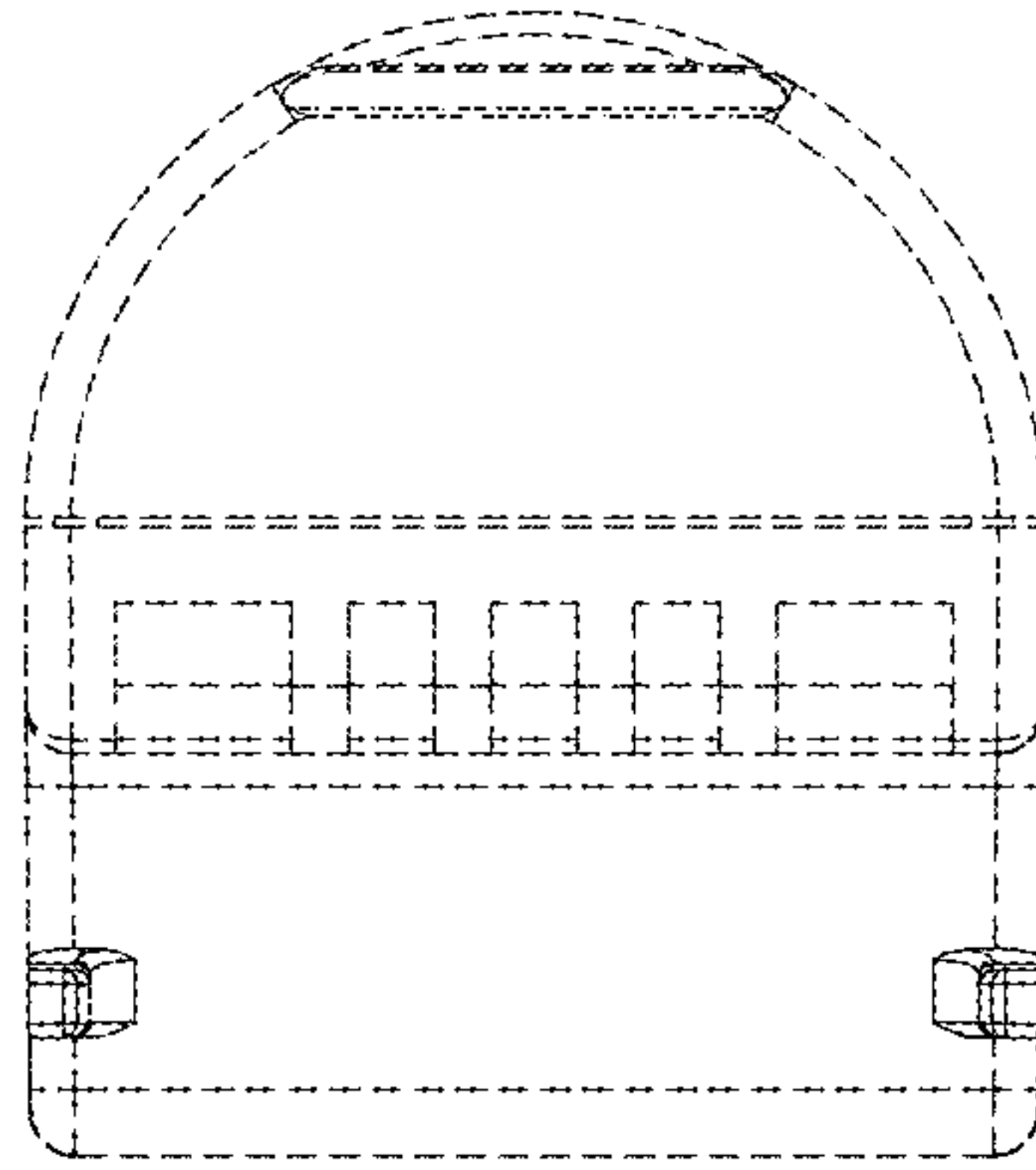


FIG. 5

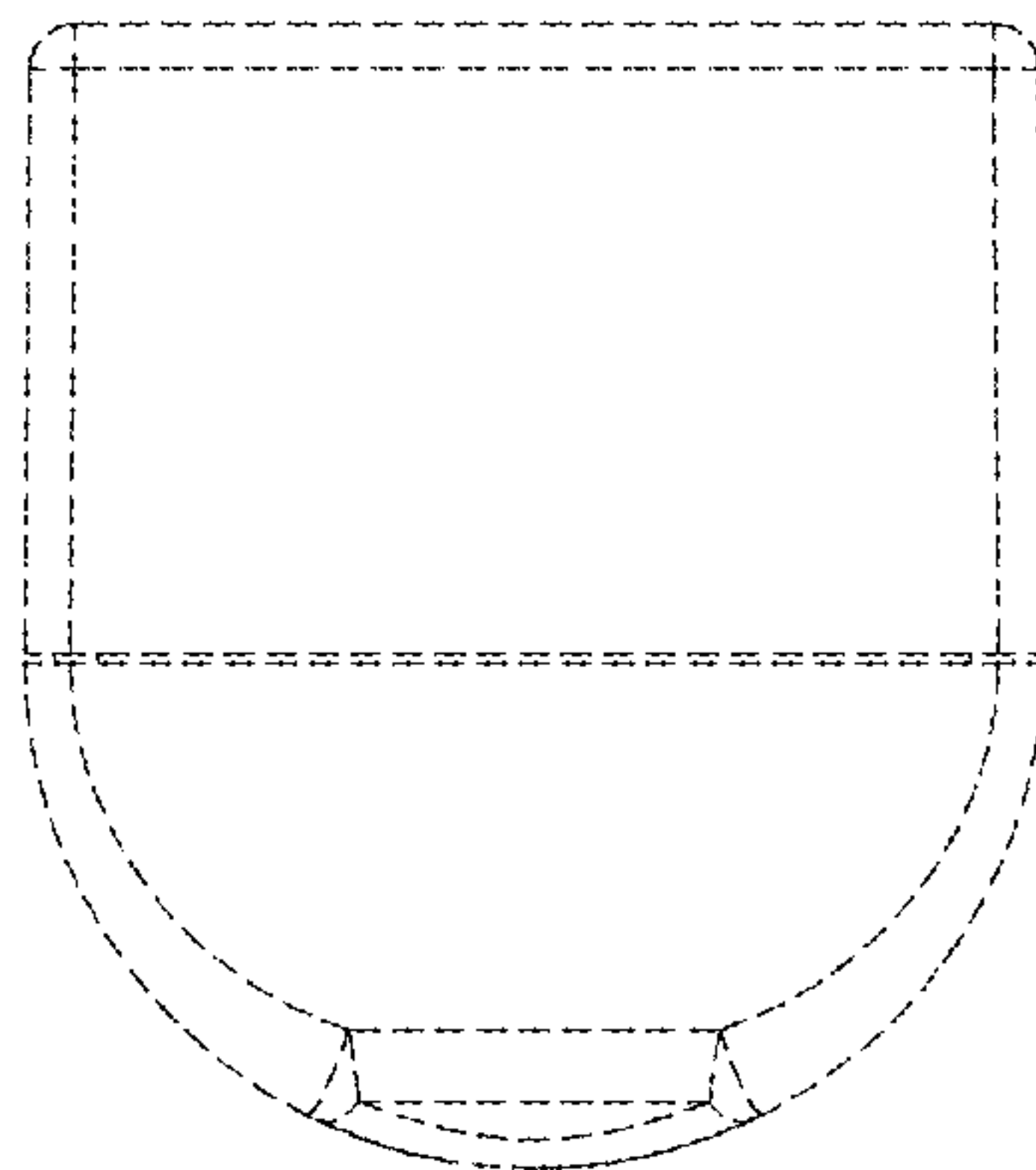


FIG. 6

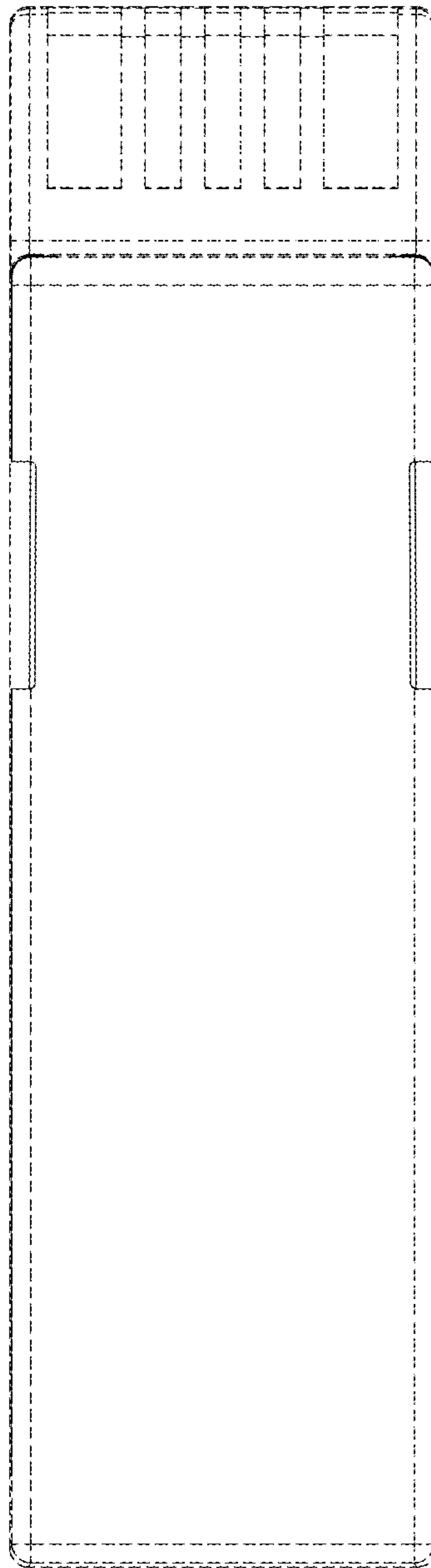


FIG. 7

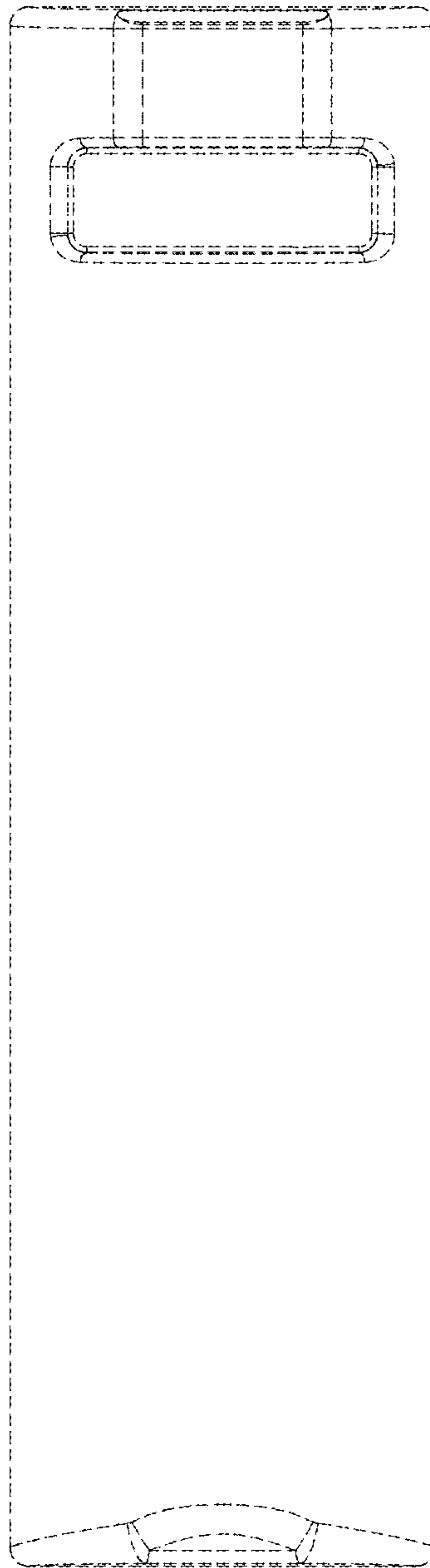


FIG. 8