



US00D822583S

(12) **United States Design Patent**
Leocadio et al.

(10) **Patent No.:** **US D822,583 S**

(45) **Date of Patent:** **** *Jul. 10, 2018**

(54) **TIRE**

(71) Applicant: **The Goodyear Tire & Rubber Company, Akron, OH (US)**

(72) Inventors: **Hans-Peter Guevara Leocadio**, North Ridgeville, OH (US); **William Thomas Adams**, North Canton, OH (US); **Karl Eric Sundkvist**, Akron, OH (US); **Michael Rockford Lane**, Cuyahoga Falls, OH (US); **Jonathan James Shondel**, Massillon, OH (US)

(73) Assignee: **The Goodyear Tire & Rubber Company, Akron, OH (US)**

(*) Notice: This patent is subject to a terminal disclaimer.

(**) Term: **15 Years**

(21) Appl. No.: **29/588,535**

(22) Filed: **Dec. 21, 2016**

(51) **LOC (11) Cl.** **12-15**

(52) **U.S. Cl.**
USPC **D12/521**

(58) **Field of Classification Search**
USPC D12/515, 516, 517, 518, 519, 520, 521, D12/522, 523, 531, 532, 900
See application file for complete search history.

(56) **References Cited**

U.S. PATENT DOCUMENTS

D325,365 S *	4/1992	Covert	D12/519
D365,789 S *	1/1996	Lassan	D12/519
D365,798 S *	1/1996	Scarpitti	D12/521
D421,942 S	3/2000	Fierro et al.	D12/146
D421,943 S	3/2000	Fierro et al.	D12/147

D422,246 S	4/2000	Fierro et al.	D12/146
D445,374 S	7/2001	Allison	D12/147
D490,769 S *	6/2004	Diensthuber	D12/531
D589,438 S	3/2009	Heinen et al.	D12/602
D599,274 S *	9/2009	Sakai	D12/515
D600,195 S	9/2009	Fontaine et al.	D12/564

(Continued)

Primary Examiner — Robert M. Spear

(74) *Attorney, Agent, or Firm* — Robert N. Lipsik

(57) **CLAIM**

The ornamental design for a tire, as shown and described.

DESCRIPTION

FIG. 1 is a right side perspective view of a tire showing our new design, it being understood that the pattern repeats uniformly throughout the circumference of the tread;

FIG. 2 is a left side perspective view thereof;

FIG. 3 is a front elevational view thereof;

FIG. 4 is a right side elevational view thereof;

FIG. 5 is a left side elevational view thereof;

FIG. 6 is an enlarged fragmentary front elevational view thereof;

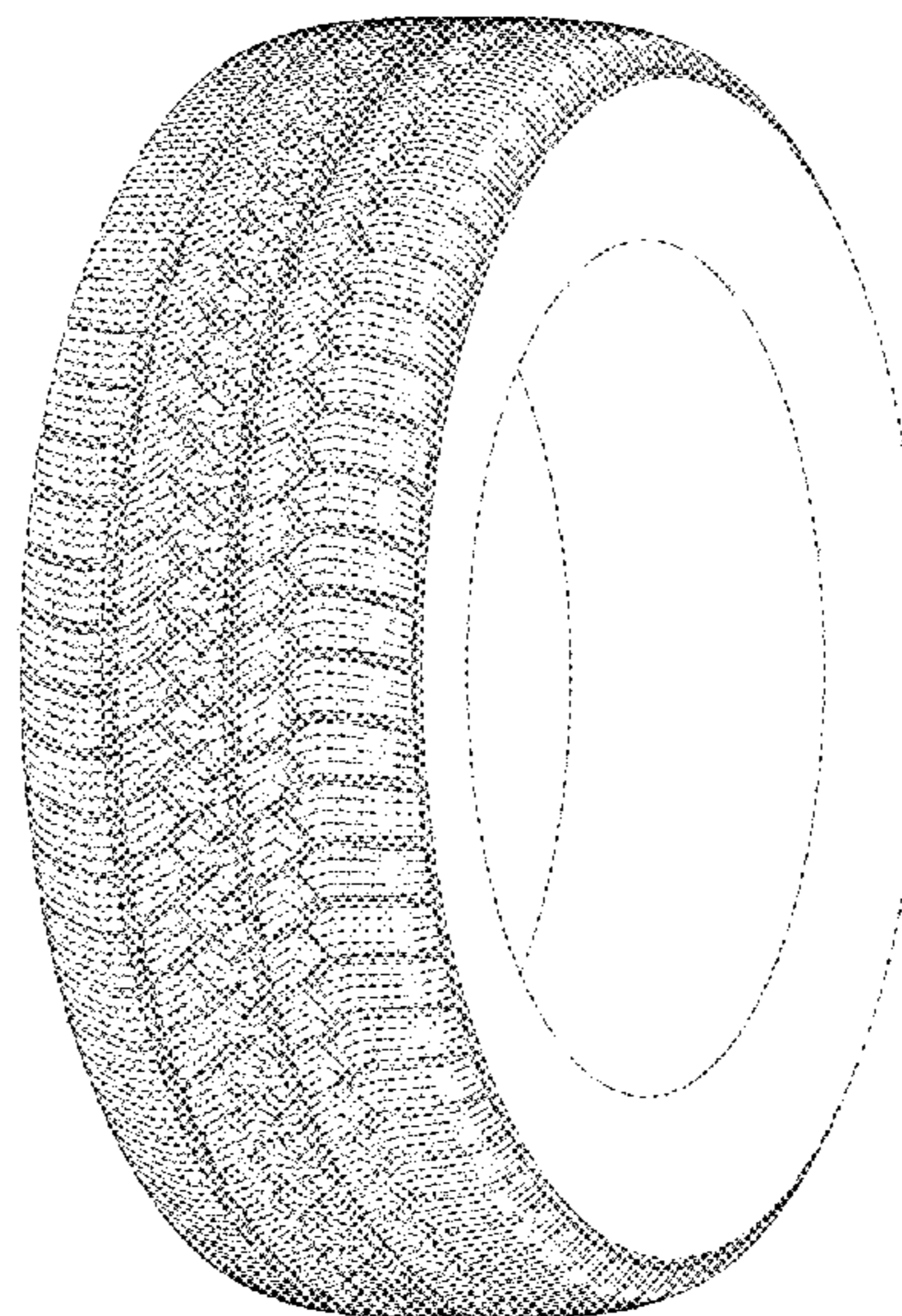
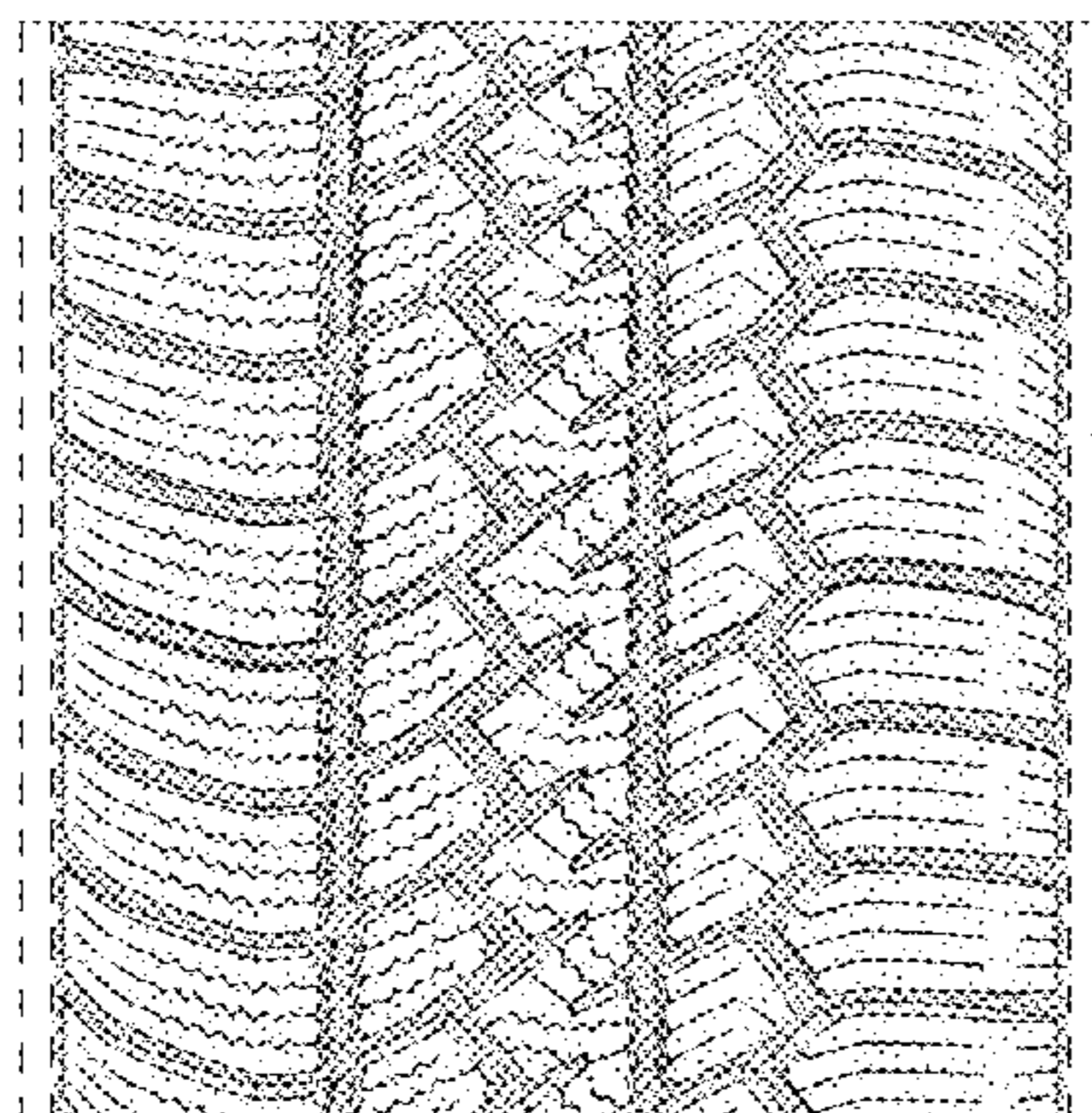
FIG. 7 is a right side perspective view of a second embodiment of a tire showing our new design, it being understood that the pattern repeats uniformly throughout the circumference of the tread;

FIG. 8 is a left side perspective view of a second embodiment; and,

FIG. 9 is a front elevational view of a second embodiment, it being understood that an enlarged fragmentary view thereof would be substantially identical to that shown in FIG. 6, with the exception of the inclusion of the sidewall in the claim.

In the drawings, the broken lines showing of the sidewall, inner bead and the peripheral boundary between the tire tread and the sidewall in FIGS. 1 through 6 depict environmental subject matter and form no part of the claimed design.

1 Claim, 9 Drawing Sheets



(56)

References Cited

U.S. PATENT DOCUMENTS

D601,946 S	10/2009	Fontaine et al.	D12/553
D603,323 S *	11/2009	Sakai	D12/515
D610,964 S	3/2010	Dixon et al.	D12/552
D626,496 S	11/2010	Fraenkel et al.	D12/516
D631,001 S	1/2011	Hughes et al.	D12/601
D674,743 S	1/2013	Uphouse et al.	D12/600
D687,367 S	8/2013	Kawasaki	D12/532
D696,621 S	12/2013	Harvey et al.	D12/516
D715,729 S	10/2014	Fontaine et al.	D12/566
D720,685 S	1/2015	Fontaine et al.	D12/565
D722,554 S	2/2015	Knispel et al.	D12/564
D733,643 S	7/2015	Oberlin et al.	D12/601
D737,757 S	9/2015	Oberlin et al.	D12/601
D742,302 S *	11/2015	Schimmoeller	D12/521
D754,058 S	4/2016	Caron et al.	D12/563
D786,777 S *	5/2017	Brayer	D12/521
D790,440 S *	6/2017	Schoeppner	D12/521

* cited by examiner

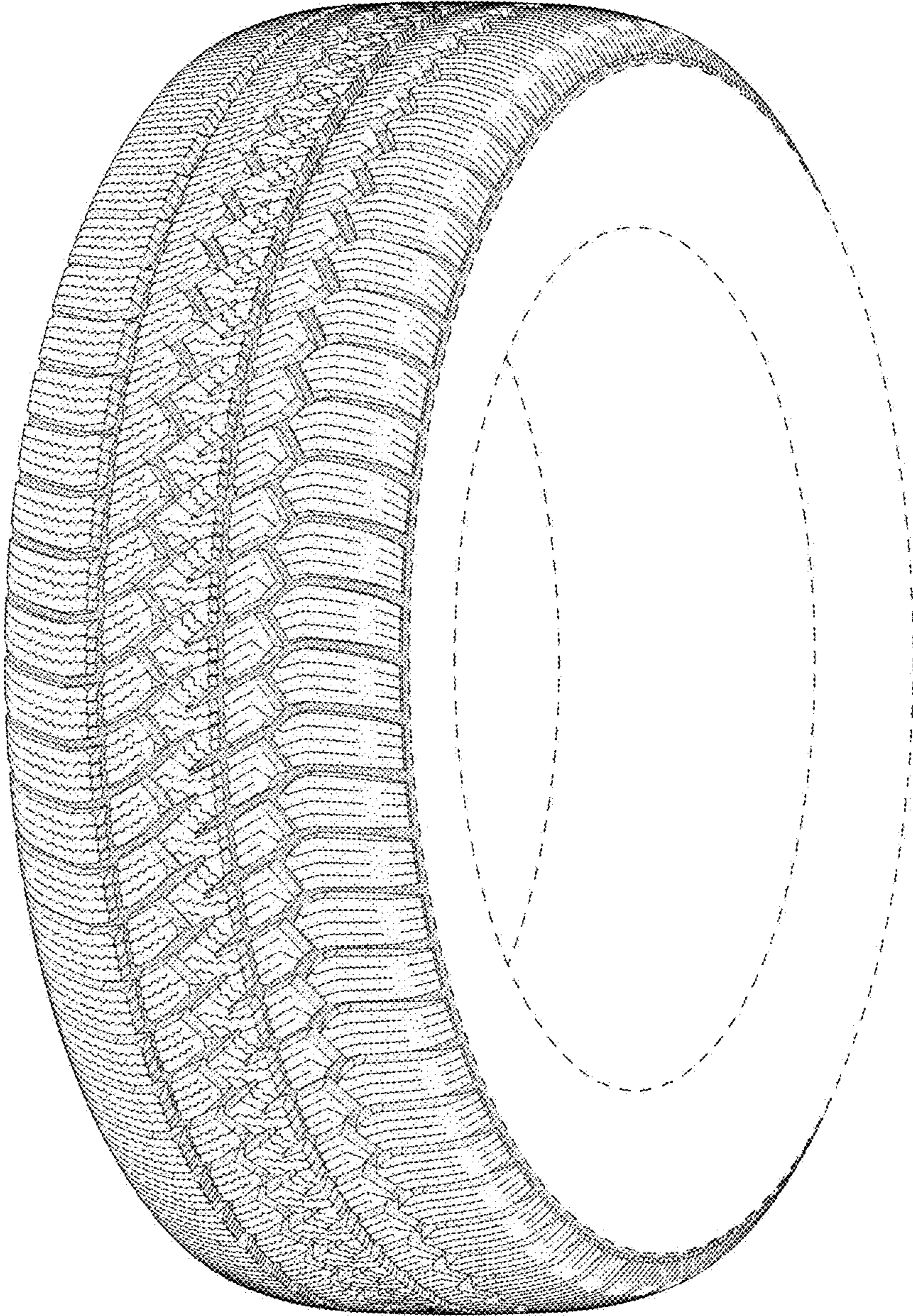


FIG - 1

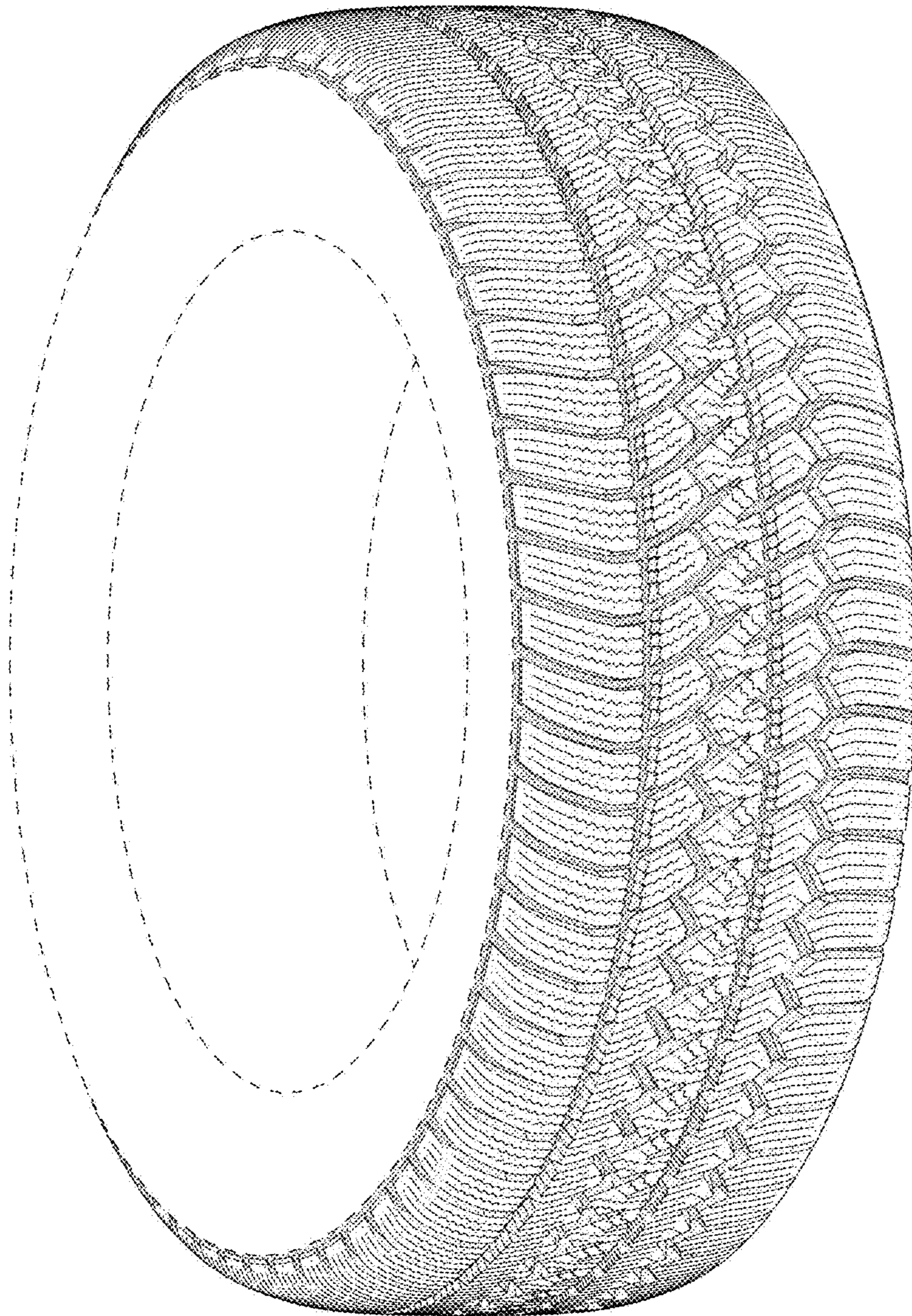


FIG - 2

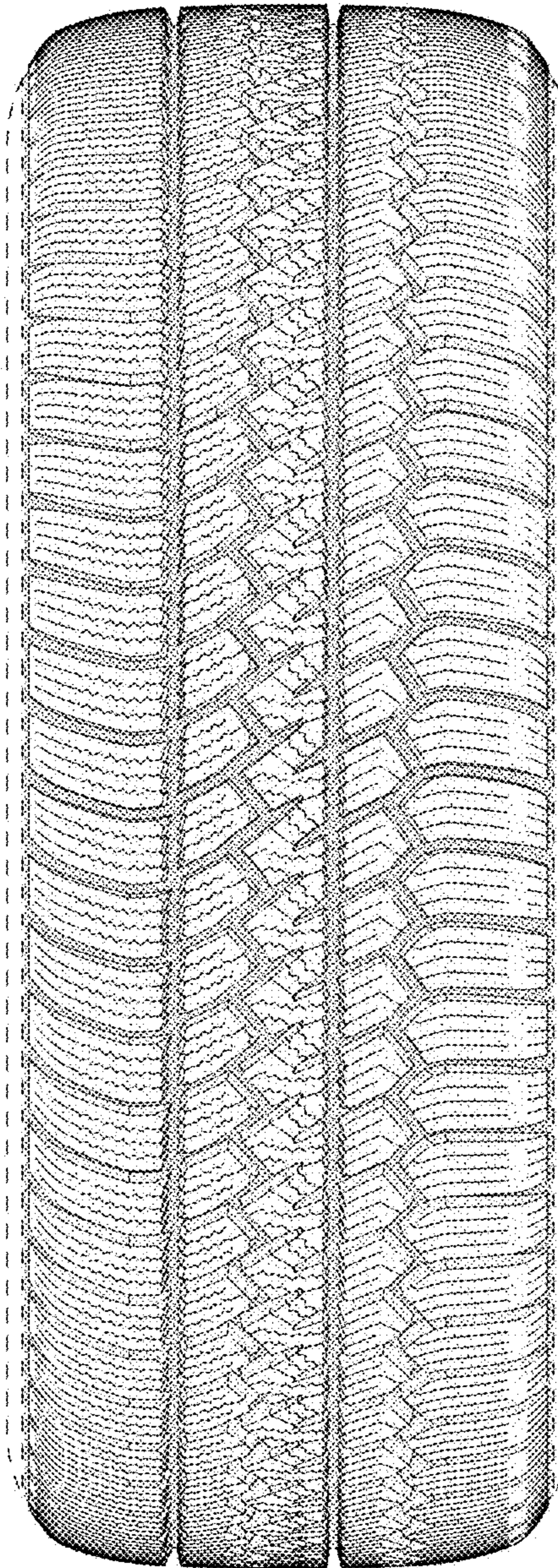


FIG - 3

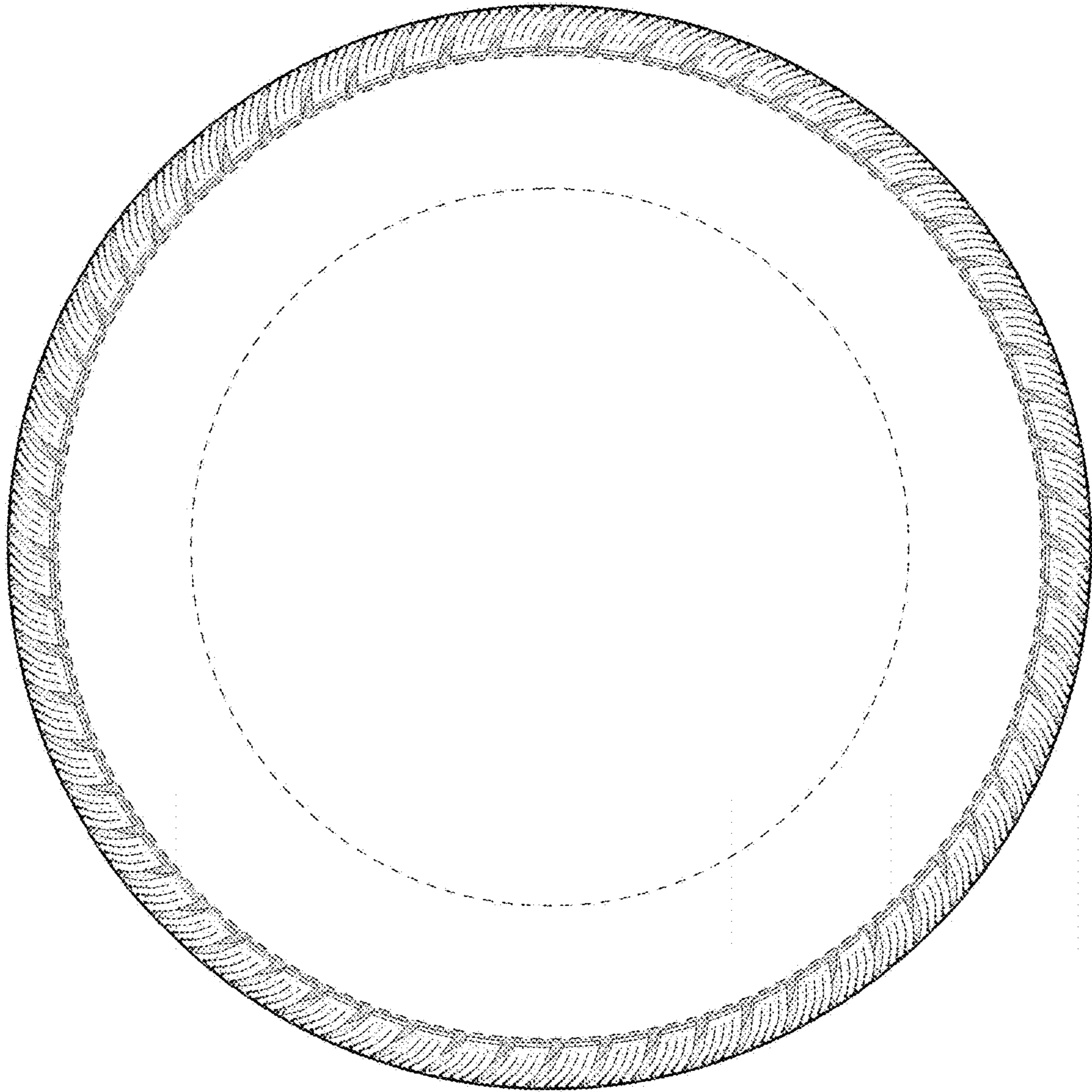


FIG - 4

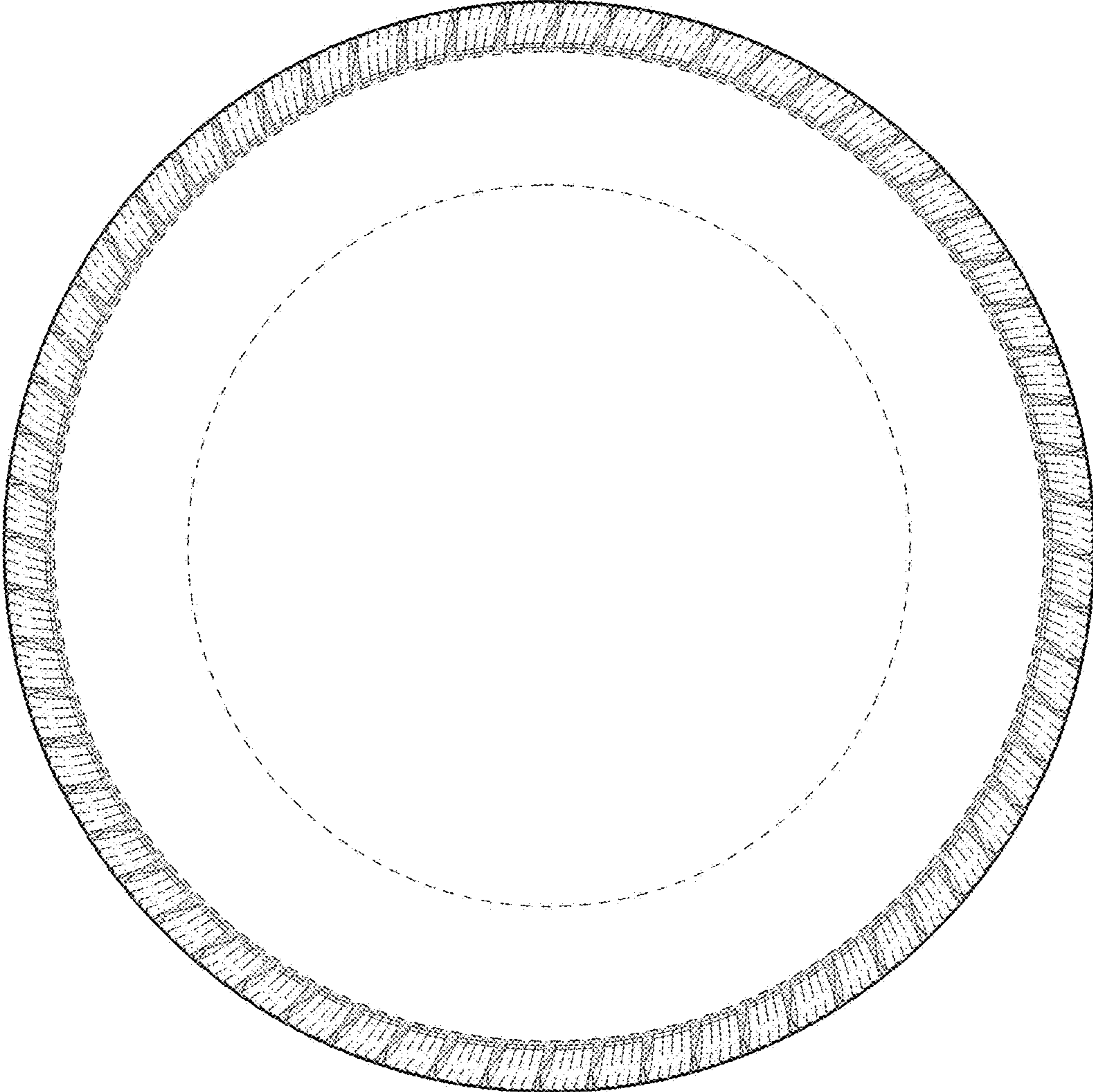


FIG - 5

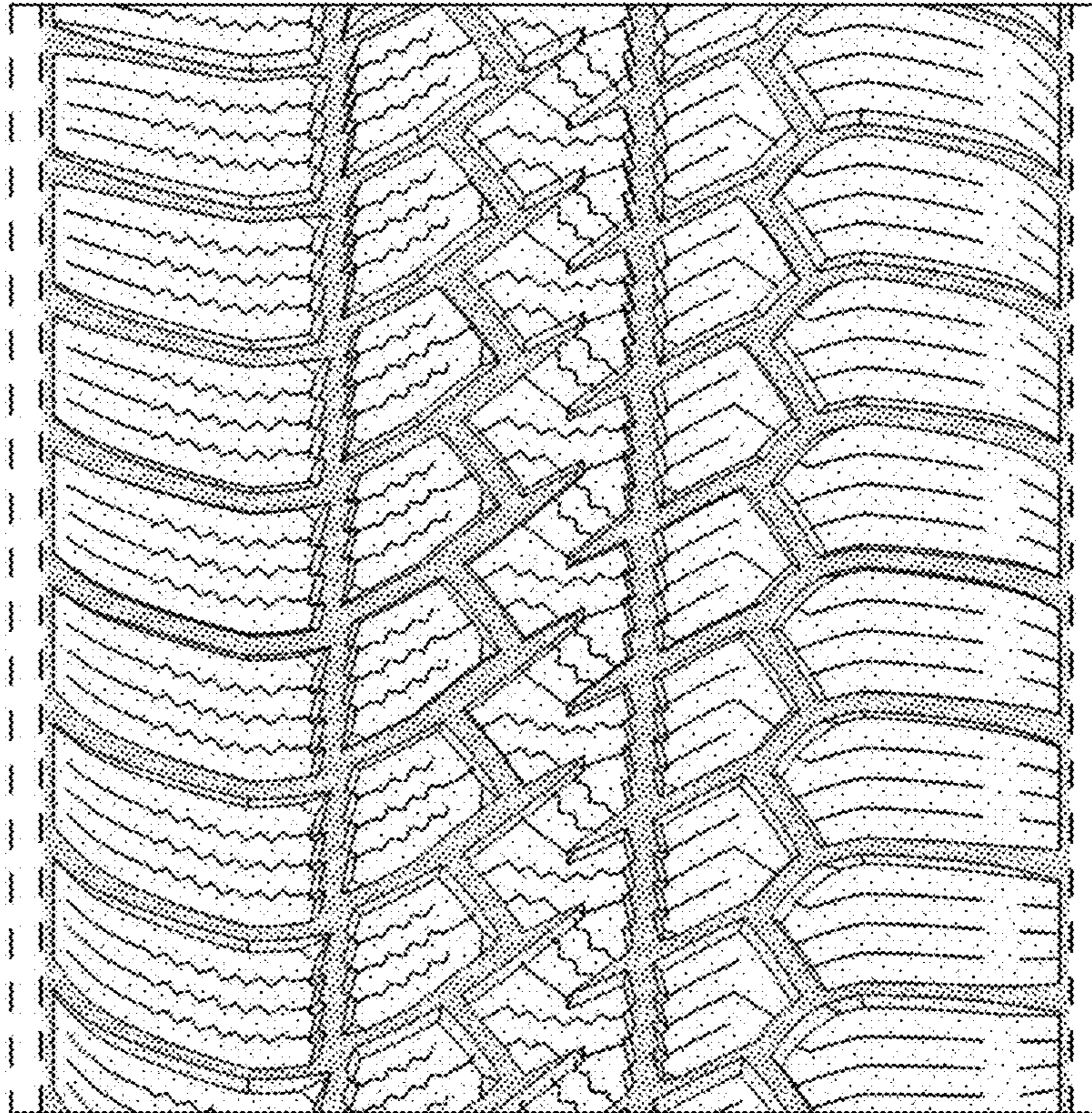


FIG - 6

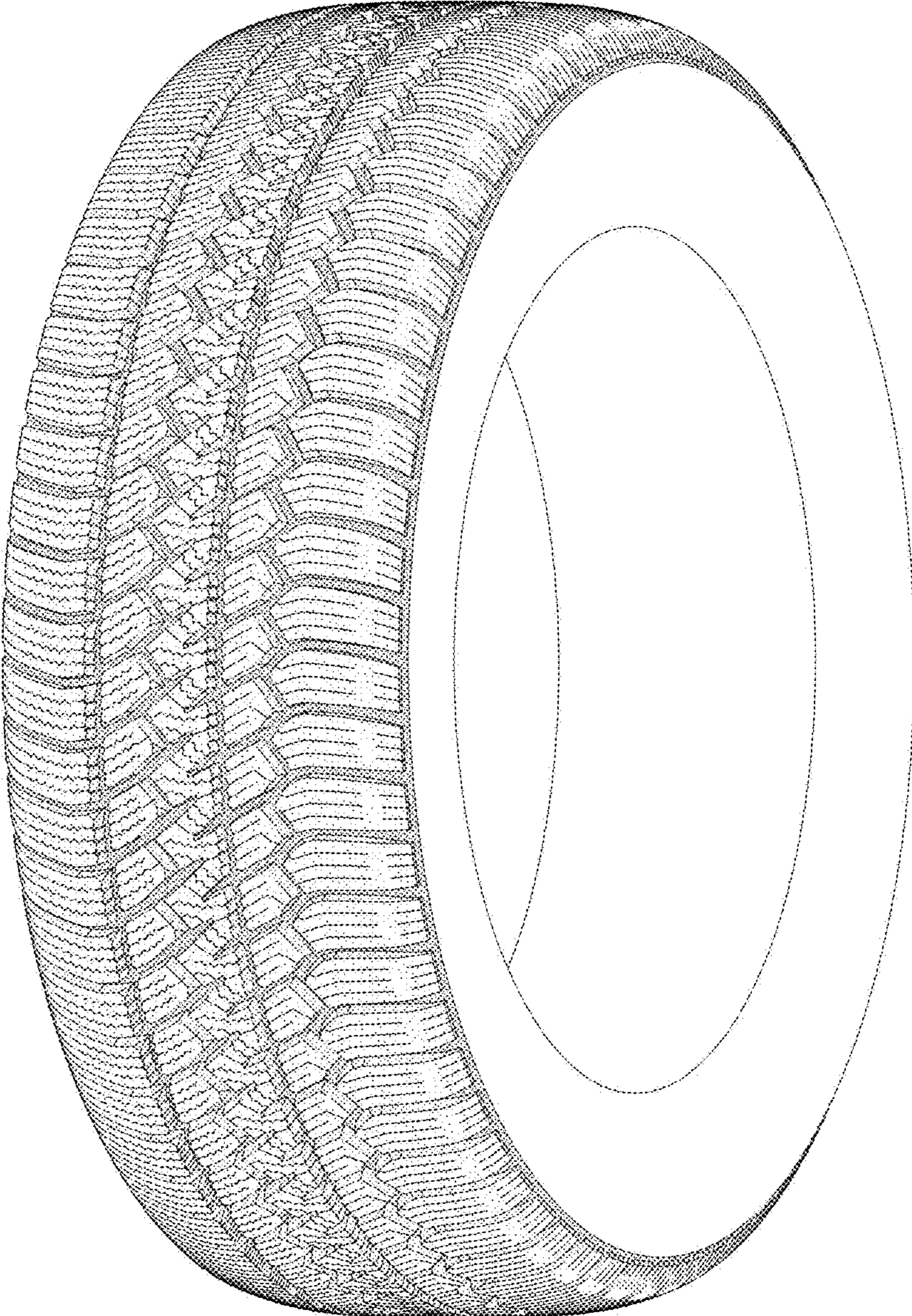


FIG - 7

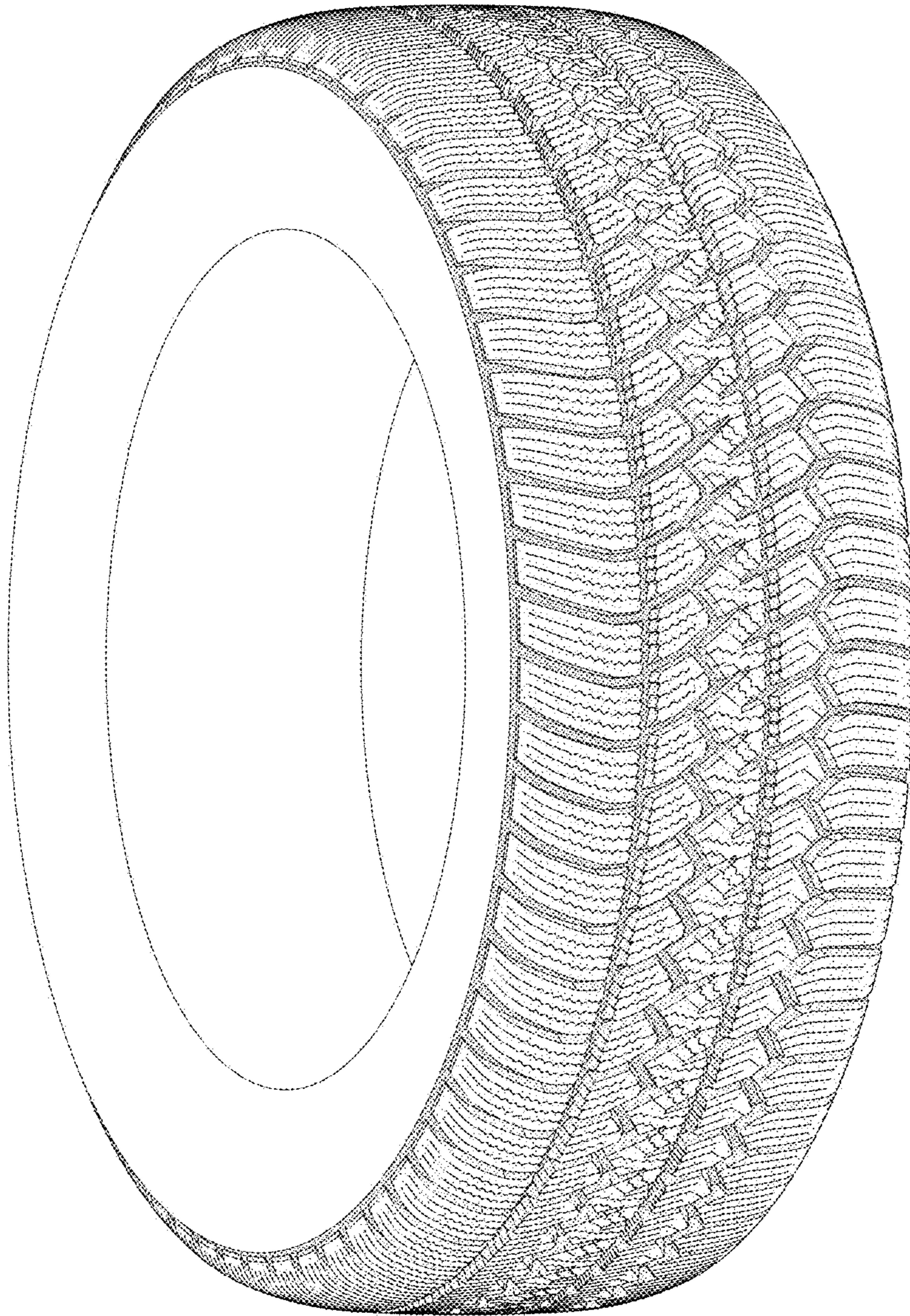


FIG - 8

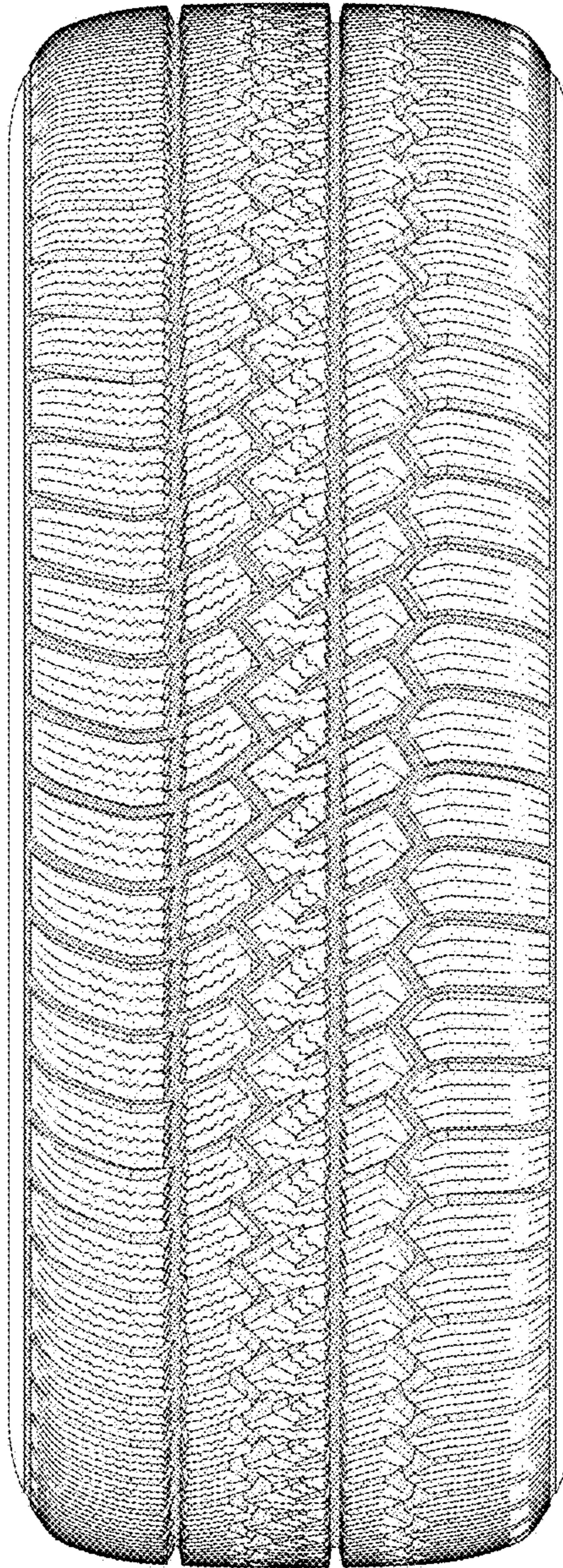


FIG - 9