



US00D822580S

(12) **United States Design Patent**  
**Eriksson et al.**

(10) **Patent No.:** **US D822,580 S**  
(45) **Date of Patent:** **\*\* Jul. 10, 2018**

- (54) **CARGO BOX**
- (71) Applicant: **Thule Sweden AB**, Hillerstorp (SE)
- (72) Inventors: **Henrik Eriksson**, Jönköping (SE); **Jan Adler**, Skillingaryd (SE); **Fredrik Fransson**, Värnamo (SE)
- (73) Assignee: **Thule Sweden AB**, Hillerstorp (SE)
- (\*\*) Term: **15 Years**
- (21) Appl. No.: **29/629,826**
- (22) Filed: **Dec. 15, 2017**

- D642,970 S 8/2011 Elder et al.
- D643,798 S 8/2011 Gruner
- D656,082 S 3/2012 Gruner
- D714,211 S 9/2014 Berrey
- D717,228 S \* 11/2014 Sagen ..... D12/413
- D717,719 S 11/2014 Sagen
- 8,905,279 B2 12/2014 Hubbard et al.
- D722,006 S 2/2015 Settelmayer et al.
- D724,520 S \* 3/2015 Gruner ..... D12/413
- D726,638 S \* 4/2015 Rupp ..... D12/413
- D739,336 S 9/2015 Berrey
- D746,217 S 12/2015 Gruner
- 9,290,131 B2 3/2016 Sautter et al.
- D773,378 S 12/2016 Sagen et al.
- D773,379 S 12/2016 Toyoshima et al.
- D774,442 S 12/2016 Adler et al.
- D786,771 S 5/2017 Eriksson et al.
- D806,638 S \* 1/2018 Adler ..... D12/413
- D806,639 S \* 1/2018 Eriksson ..... D12/413

**Related U.S. Application Data**

- (63) Continuation of application No. 29/600,604, filed on Apr. 13, 2017, now Pat. No. Des. 806,639, which is a continuation of application No. 29/558,286, filed on Mar. 16, 2016, now Pat. No. Des. 786,771.

- (51) **LOC (11) Cl.** ..... **12-16**
- (52) **U.S. Cl.**  
USPC ..... **D12/413**
- (58) **Field of Classification Search**  
USPC ..... D12/413, 406-412, 414, 414.1; D32/35, D32/58; D6/317-319, 513-514  
CPC .. B60R 9/00; B60R 9/04; B60R 9/055; B60R 9/052; B60R 9/058  
See application file for complete search history.

(56) **References Cited**

**U.S. PATENT DOCUMENTS**

- D297,629 S \* 9/1988 Breger ..... D12/413
- D297,630 S \* 9/1988 Breger ..... D12/413
- D297,631 S \* 9/1988 Breger ..... D12/413
- D593,928 S 6/2009 Gruner
- D626,495 S 11/2010 Kojoh
- D628,142 S 11/2010 Farber
- D630,157 S 1/2011 Farber

(Continued)

*Primary Examiner* — Katrina A Betton

(74) *Attorney, Agent, or Firm* — Sterne, Kessler, Goldstein & Fox P.L.L.C.

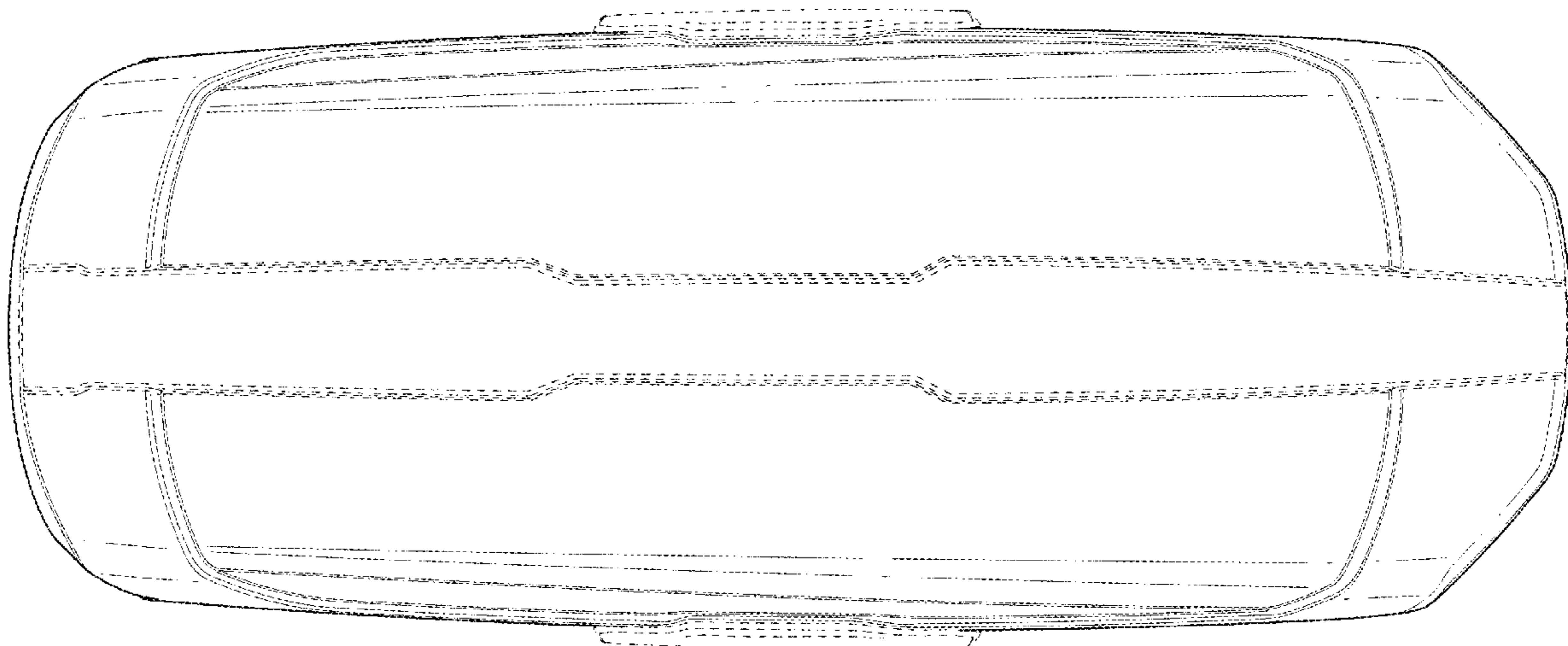
(57) **CLAIM**

The ornamental design for a cargo box, as shown and described.

**DESCRIPTION**

FIG. 1 is a top front perspective view of a cargo box showing the claimed design;  
 FIG. 2 is a bottom front perspective view thereof;  
 FIG. 3 is a front view thereof;  
 FIG. 4 is a rear view thereof;  
 FIG. 5 is a left side view thereof;  
 FIG. 6 is a right side view thereof;  
 FIG. 7 is a top view thereof; and,  
 FIG. 8 is a bottom view thereof.  
 The broken lines in the figures show portions of the cargo box that form no part of the claimed design.

**1 Claim, 6 Drawing Sheets**



(56)

**References Cited**

U.S. PATENT DOCUMENTS

2005/0145639 A1\* 7/2005 Viklund ..... B60R 9/055  
220/827  
2012/0111910 A1 5/2012 Sautter et al.  
2015/0224940 A1\* 8/2015 Clark ..... B60R 9/05  
224/316

\* cited by examiner

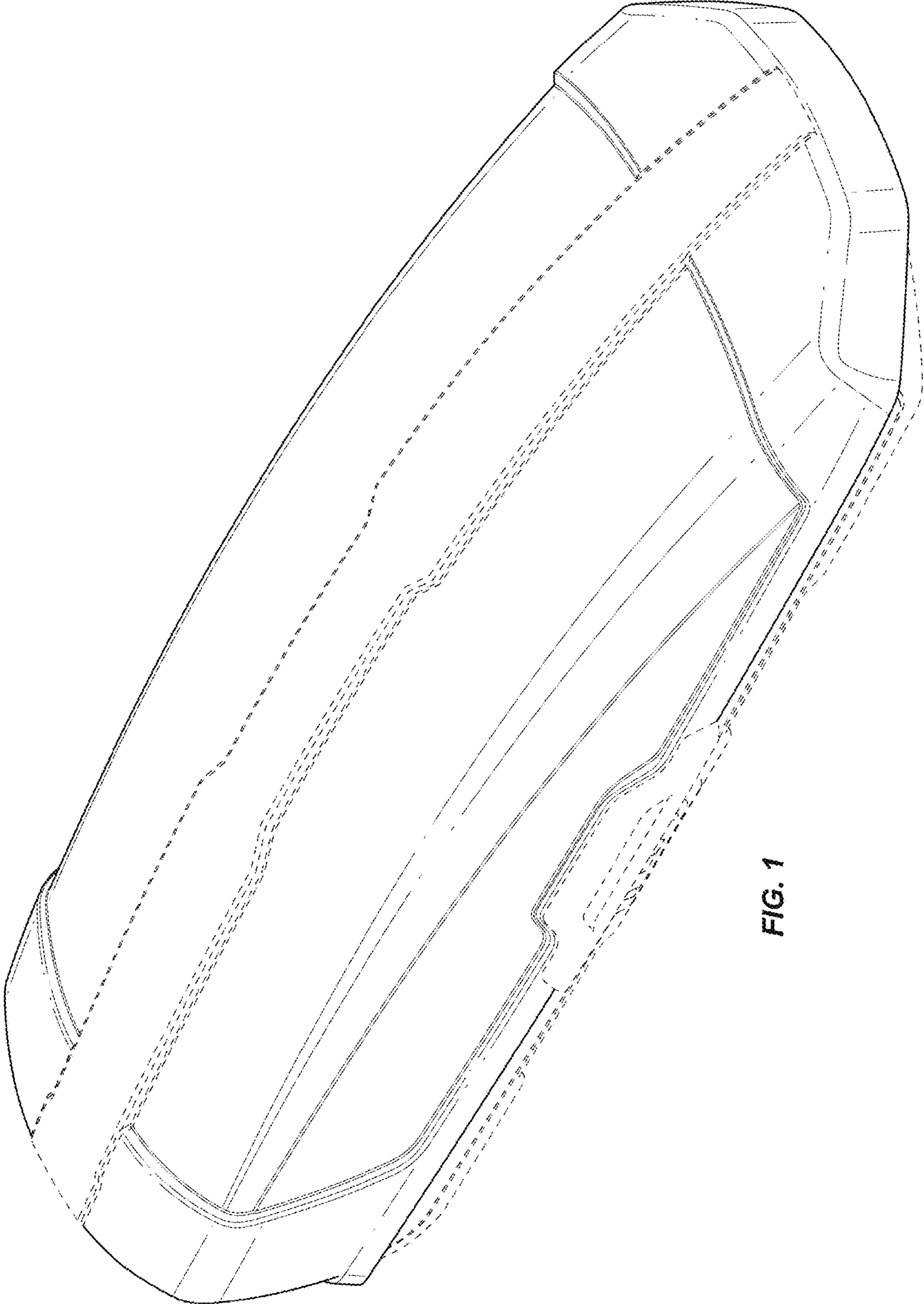


FIG. 1

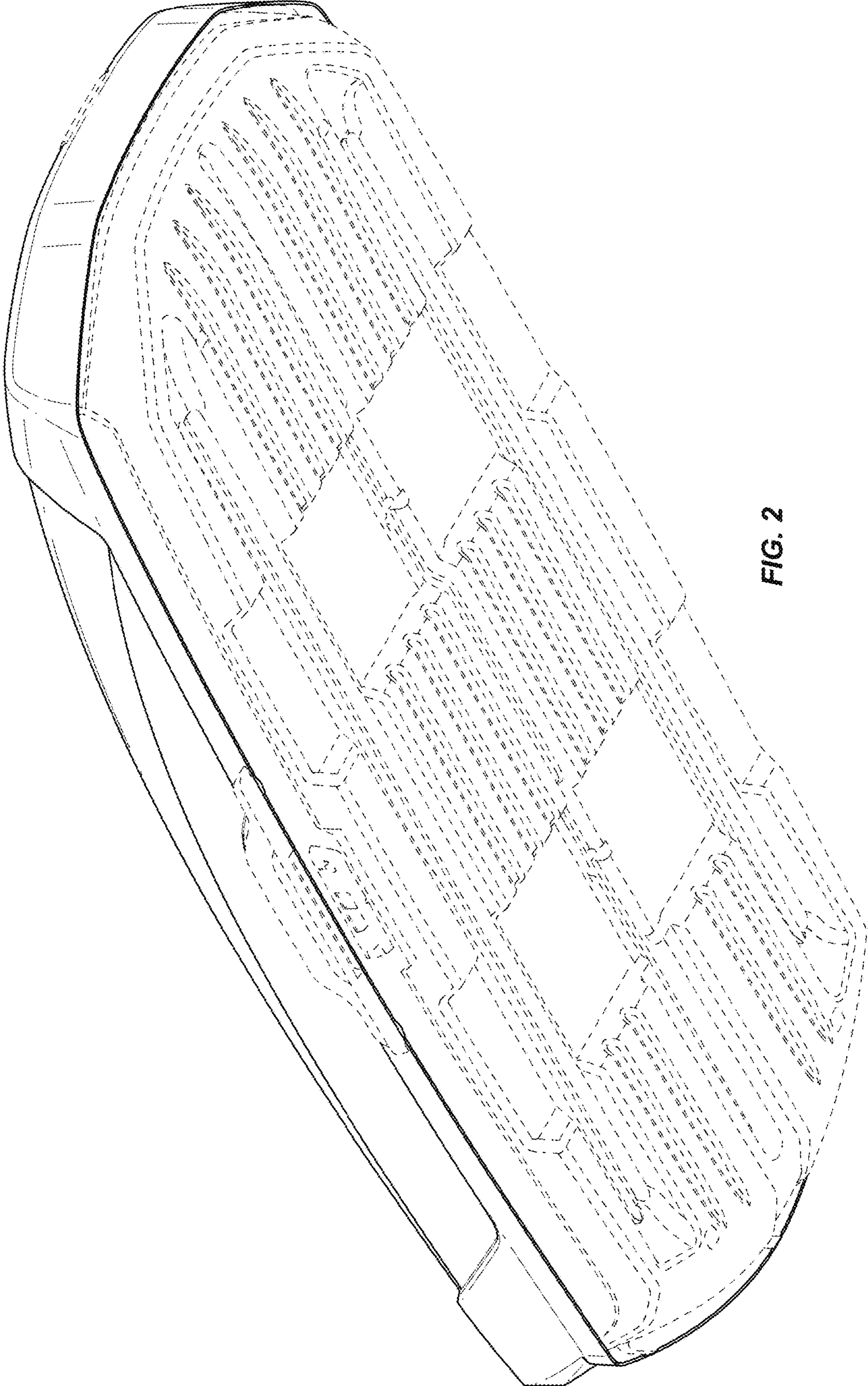


FIG. 2

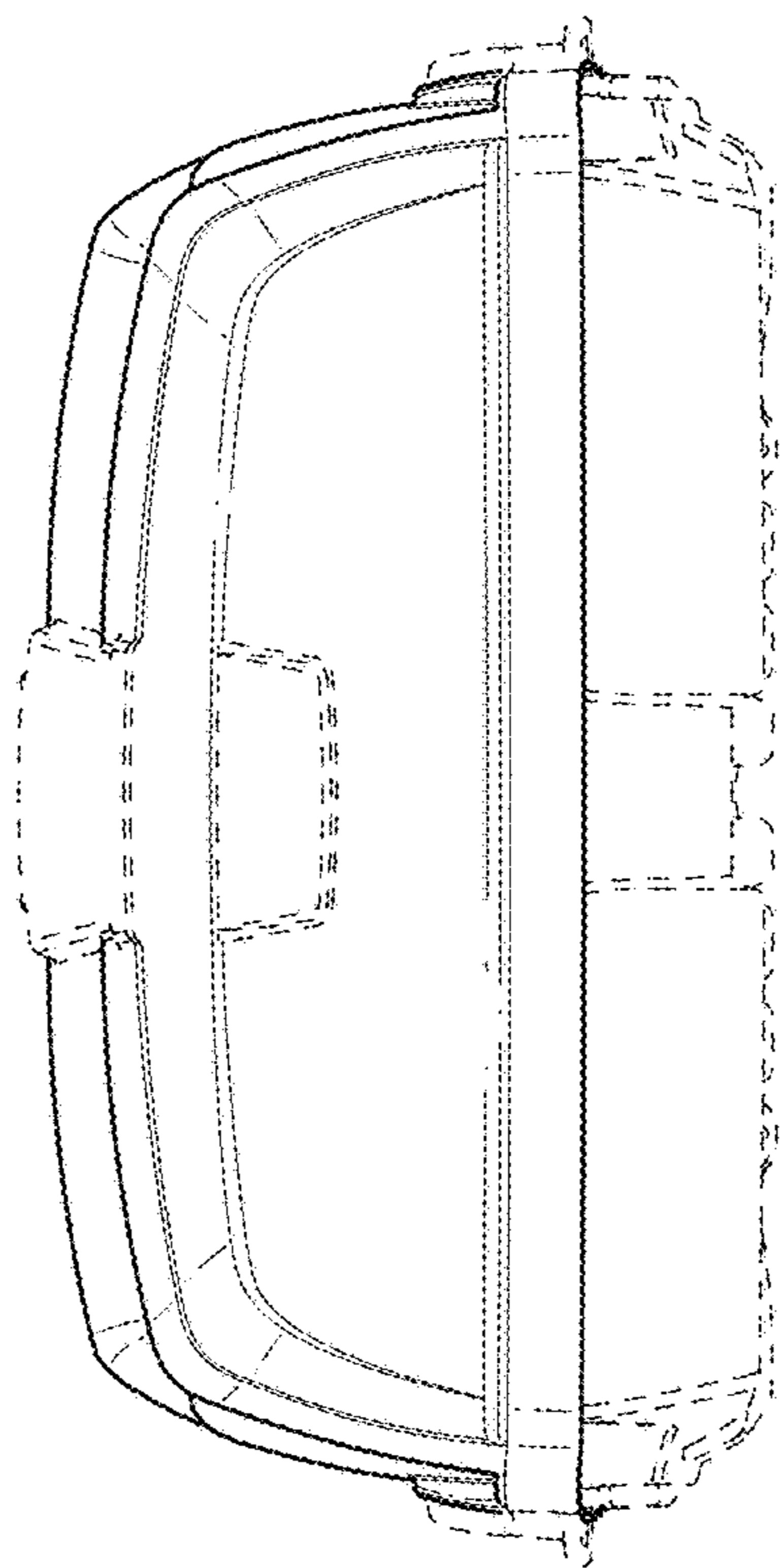


FIG. 4

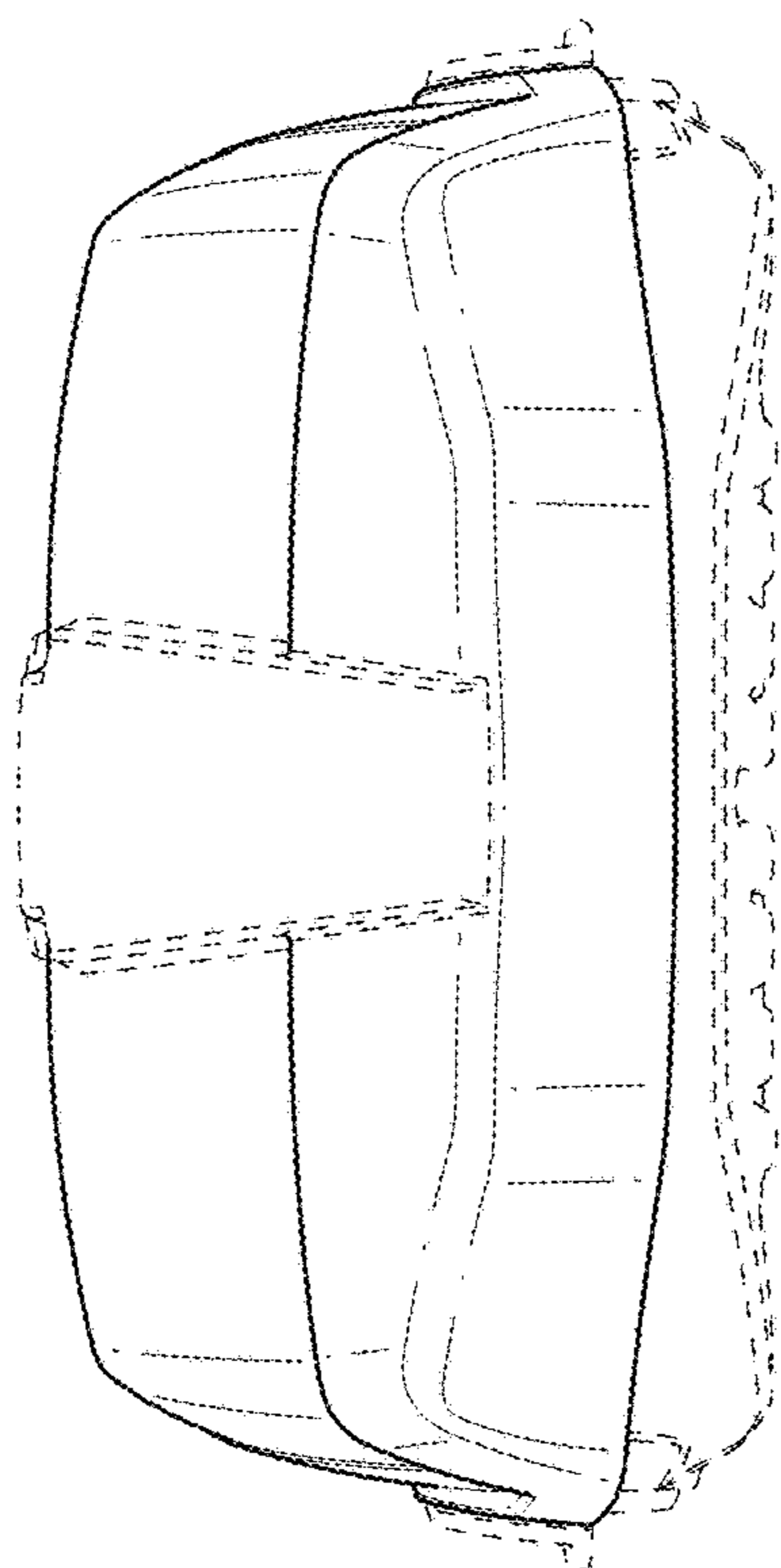


FIG. 3

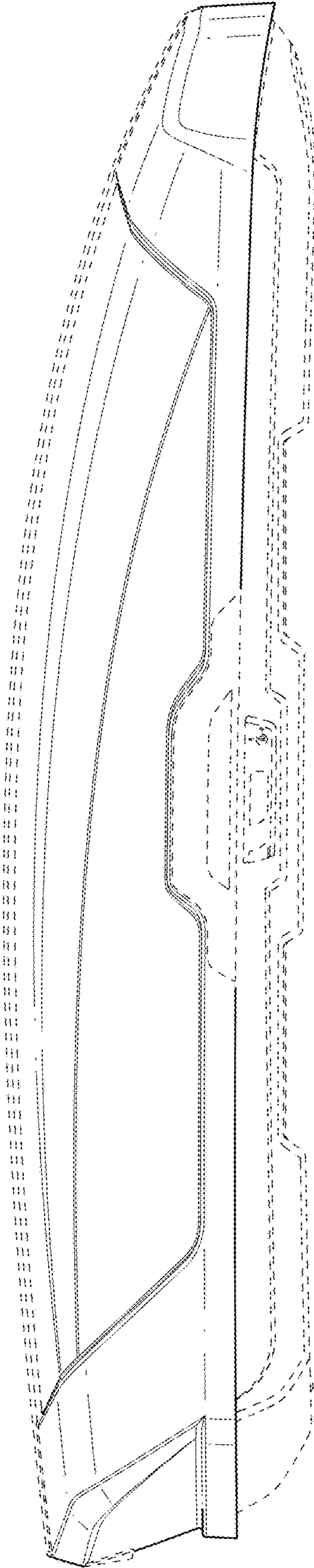


FIG. 5

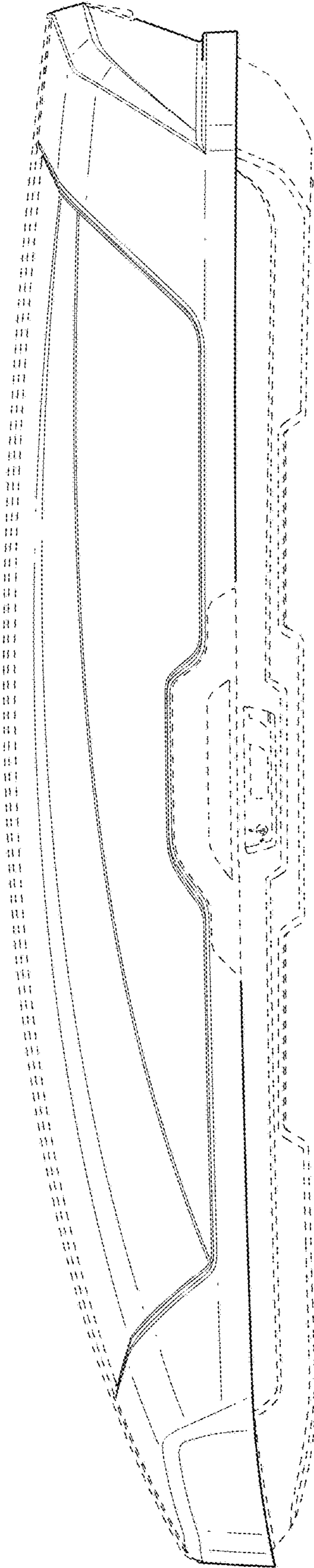


FIG. 6

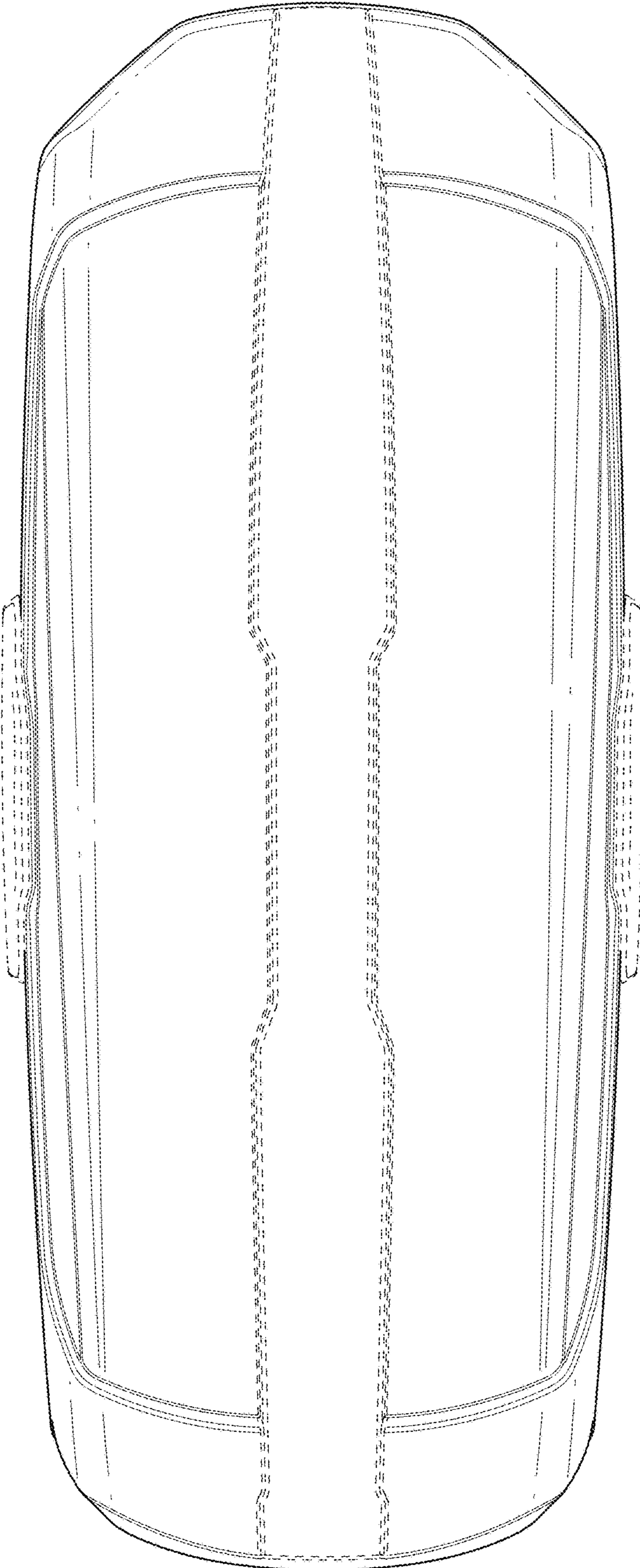


FIG. 7

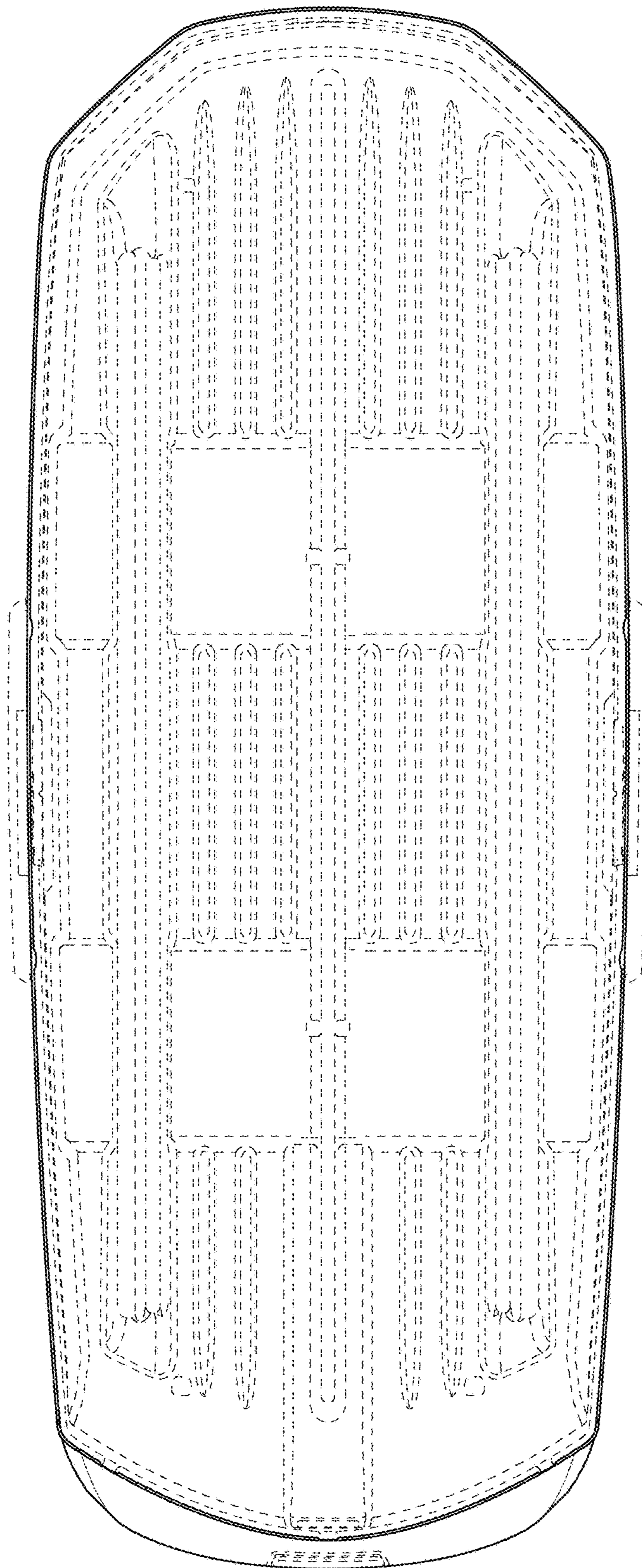


FIG. 8