



US00D822579S

(12) **United States Design Patent** (10) **Patent No.:** **US D822,579 S**
Lienhard et al. (45) **Date of Patent:** **** Jul. 10, 2018**

(54) **AIRCRAFT**

D461,159 S * 8/2002 Miralles D12/319
6,886,776 B2 * 5/2005 Wagner B64C 3/56

(71) Applicant: **AFS-DV VTOL Technologies Corporation**, Manassas, VA (US)

D543,248 S * 5/2007 Winston D21/450
(Continued)

(72) Inventors: **Jan D. Lienhard**, Manhattan Beach, CA (US); **Robert W. Parks**, San Jose, CA (US); **Francesco Giannini**, Falls Church, VA (US); **Diana Siegel**, Manassas, VA (US)

FOREIGN PATENT DOCUMENTS

DE 19745492 4/1999
DE 10241732 3/2004
(Continued)

(**) Term: **15 Years**

OTHER PUBLICATIONS

(21) Appl. No.: **29/601,557**

Aurora Unveils New eVTOL Aircraft at Uber Elevate Summit by Aurora Flight Sciences on Cision PR Newswire. dated Apr. 25, 201. found online [Jan. 30, 2018] <https://www.prnewswire.com/news-releases/aurora-unveils-new-evtol-aircraft-at-uber-elevate-summit-300445361.html>.*

(22) Filed: **Apr. 24, 2017**

(Continued)

(51) **LOC (11) Cl.** **12-07**

(52) **U.S. Cl.**
USPC **D12/328**

(58) **Field of Classification Search**
USPC D12/16.1, 319, 325, 326, 327, 328,
D12/329-345; D21/436, 441, 442, 443,
D21/444, 445-453

CPC B64C 39/024; B64C 2201/141; B64C
2201/00; B64C 2201/108

See application file for complete search history.

Primary Examiner — Brandon M Rosati
Assistant Examiner — Marissa J Cash
(74) *Attorney, Agent, or Firm* — Dunstan H. Barnes;
McAndrews, Held & Malloy, Ltd.; Eugene H. Nahm

(57) **CLAIM**

The ornamental design for an aircraft, as shown and described.

(56) **References Cited**

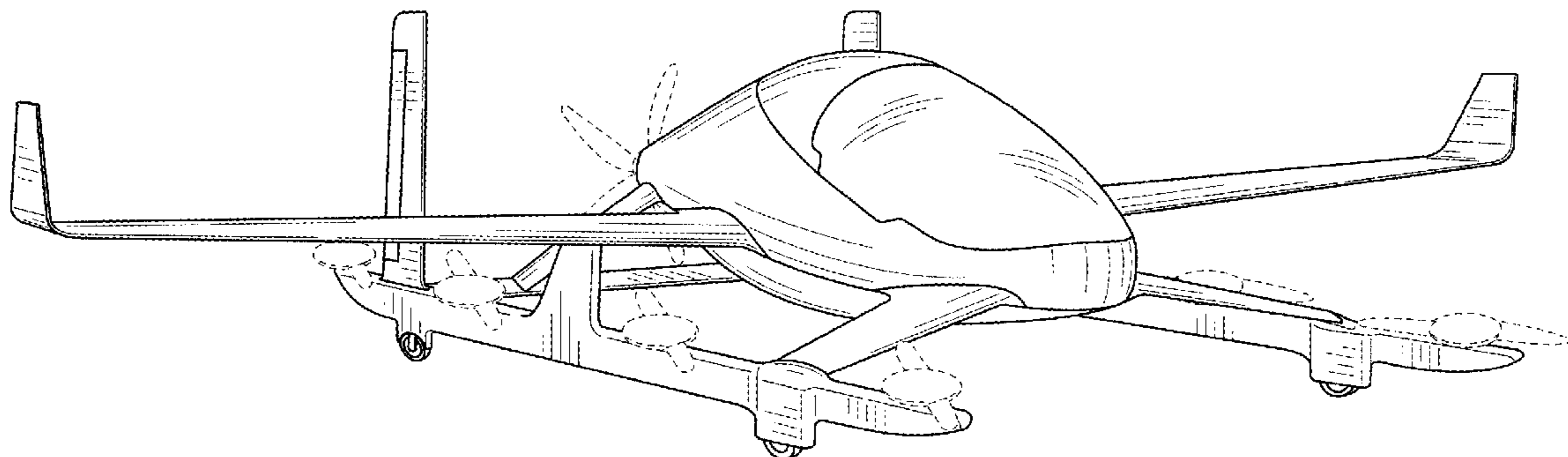
DESCRIPTION

U.S. PATENT DOCUMENTS

D134,426 S * 11/1942 McDonnell 244/13
D139,438 S * 11/1944 Hughes et al. 244/13
D140,113 S * 1/1945 Biasell 244/13
D180,890 S * 9/1957 Boyd D12/16.1
D190,004 S * 3/1961 Doak D12/330
3,260,476 A 7/1966 James
D239,274 S * 3/1976 Snyder D12/335
D277,976 S * 3/1985 Holloway D12/16.1
D292,393 S * 10/1987 Rutan D12/332
D326,255 S * 5/1992 Graham D12/319
6,293,491 B1 9/2001 Wobben
D454,109 S * 3/2002 Moshier D12/319

FIG. 1 is a front perspective view of an aircraft showing our new design;
FIG. 2 is a front elevation view thereof;
FIG. 3 is a rear elevation view thereof;
FIG. 4 is a right side elevation view thereof;
FIG. 5 is a left side elevation view thereof;
FIG. 6 is a top plan view thereof;
FIG. 7 is a bottom plan view thereof; and,
FIG. 8 is a bottom perspective view thereof.
The broken lines in the drawings illustrate portions of the aircraft that form no part of the claimed design.

1 Claim, 6 Drawing Sheets



(56)

References Cited

U.S. PATENT DOCUMENTS

D616,804 S * 6/2010 Manley D12/319
 7,857,254 B2 12/2010 Parks
 D634,257 S * 3/2011 Alexander D12/326
 D642,968 S * 8/2011 Zhao D12/344
 D649,506 S * 11/2011 Morelli D12/319
 D651,156 S * 12/2011 Gundlach D12/319
 D665,331 S * 8/2012 Sands D12/319
 8,393,564 B2 3/2013 Kroo
 D691,547 S * 10/2013 Hall D12/319
 D708,563 S * 7/2014 Colten D12/319
 9,120,560 B1 * 9/2015 Armer B64C 29/0008
 D741,247 S * 10/2015 Brody D12/326
 D743,868 S * 11/2015 Cummings D12/328
 9,475,579 B2 * 10/2016 Fredericks B64C 25/52
 9,505,484 B1 * 11/2016 Al-Sabah B64C 3/38
 9,682,774 B2 * 6/2017 Paduano B64C 27/52
 D799,402 S * 10/2017 Cummings D12/327
 2007/0018035 A1 * 1/2007 Saiz B64C 15/00
 244/12.3
 2012/0012692 A1 * 1/2012 Kroo B64C 29/0025
 244/6
 2012/0043413 A1 * 2/2012 Smith B64C 29/0033
 244/12.4

2013/0020429 A1 1/2013 Kroo
 2013/0062455 A1 3/2013 Lugg et al.
 2014/0339372 A1 * 11/2014 Dekel B64C 29/0033
 244/7 R
 2015/0136897 A1 5/2015 Seibel
 2016/0144956 A1 5/2016 Parks
 2016/0236774 A1 8/2016 Niedzballa

FOREIGN PATENT DOCUMENTS

DE 102012104783 12/2013
 FR 966032 9/1950
 KR 1020120060590 12/2013
 WO WO2006113877 10/2006

OTHER PUBLICATIONS

Ehang 184 autonomous aerial vehicle specs, downloaded from
<http://www.ehang.com/ehang184/specs/> on Jan. 15, 2017.
 Lyasoff, Rodin, Welcome to Vahana, Sep. 23, 2016, downloaded
 from <https://vahana.aero/welcometovahanaedfa689f2b75> on Apr.
 15, 2017.

* cited by examiner

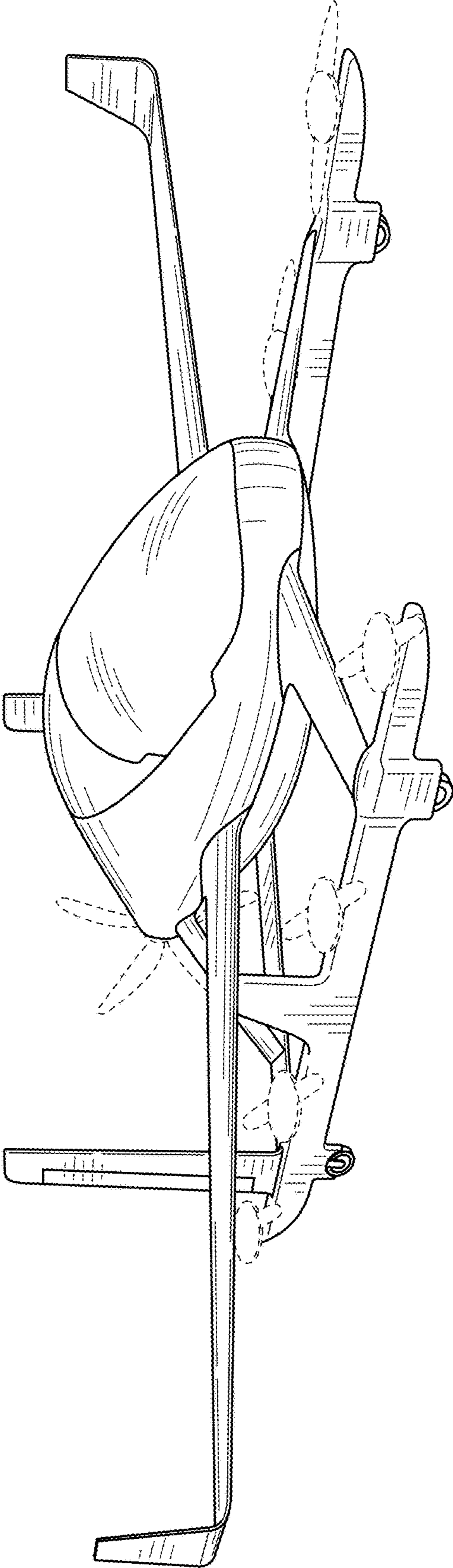


FIG. 1

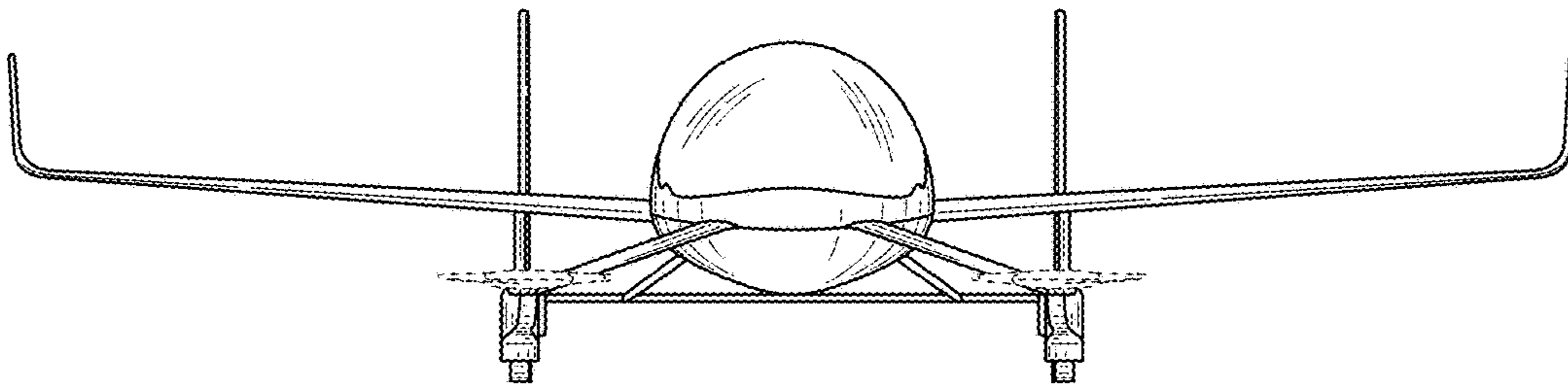


FIG. 2

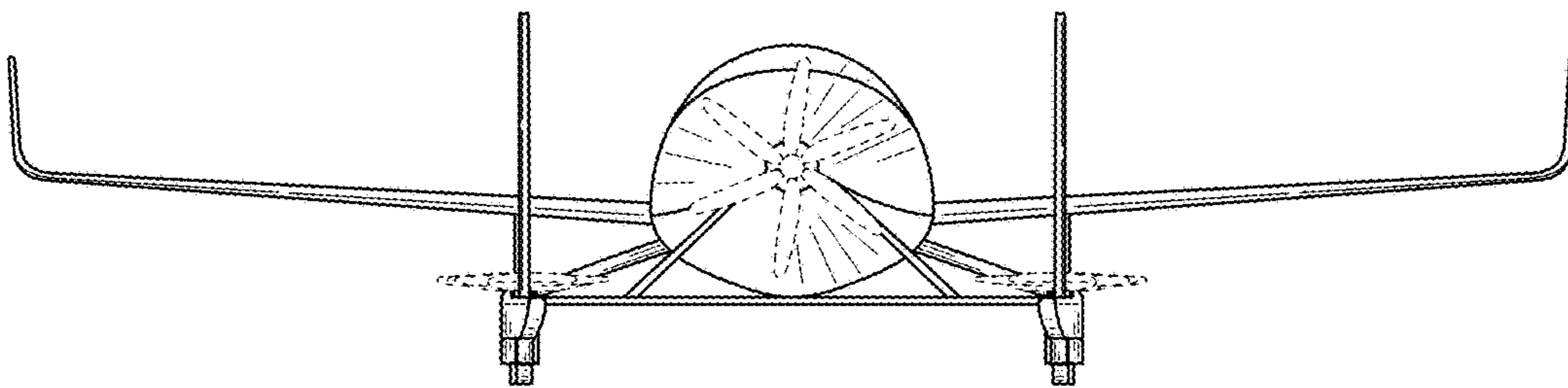


FIG. 3

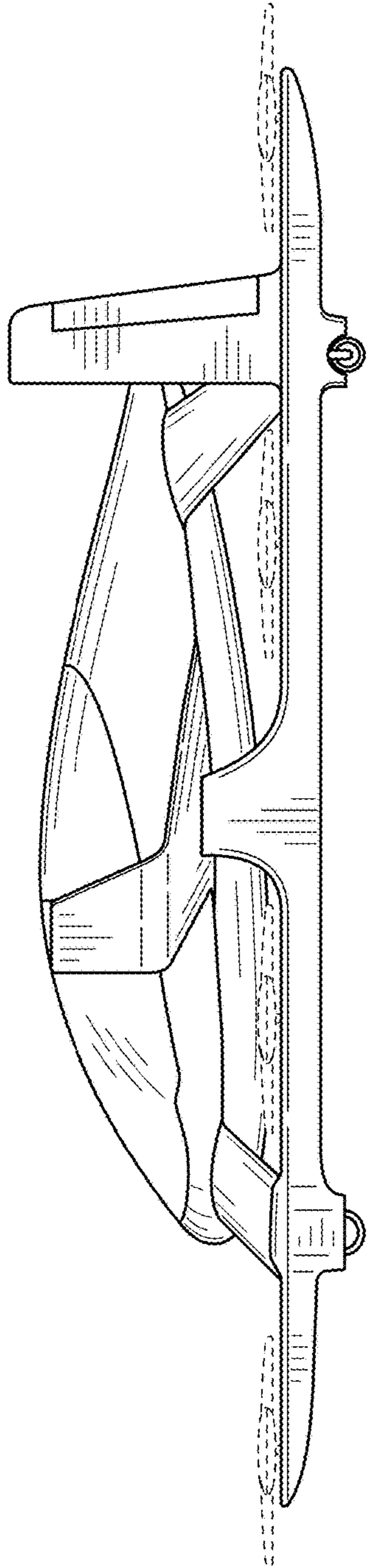


FIG. 4

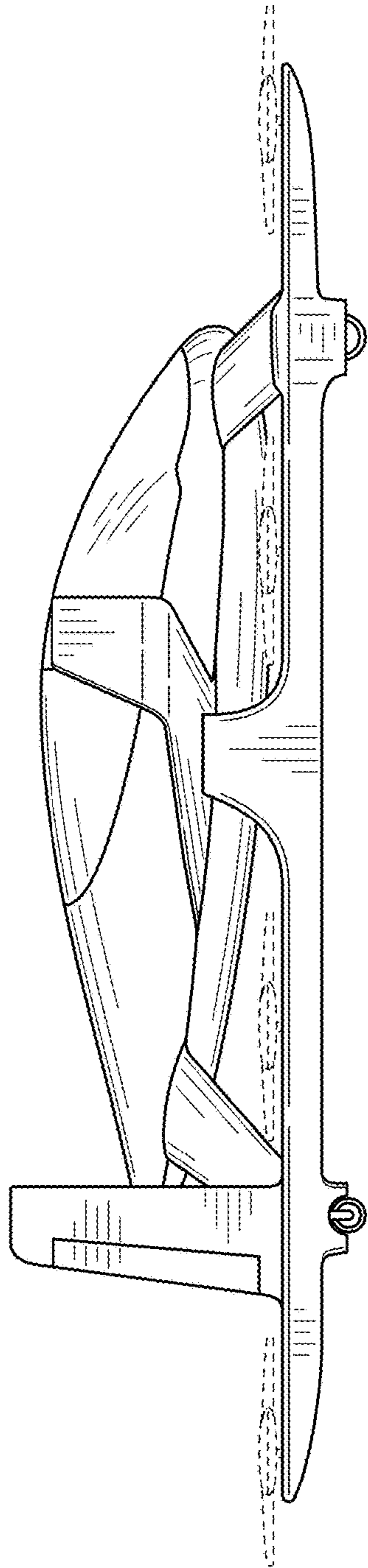


FIG. 5

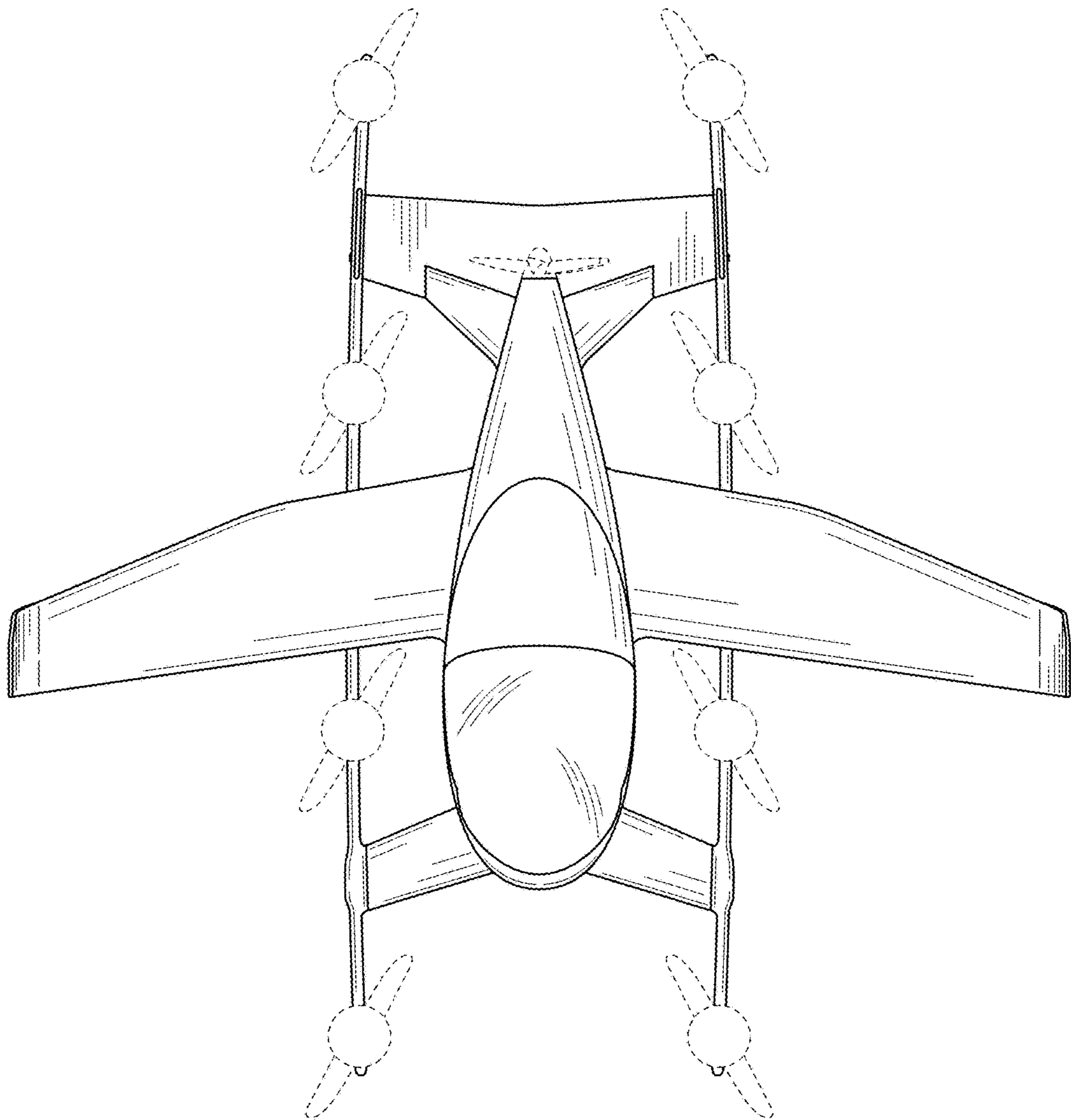


FIG. 6

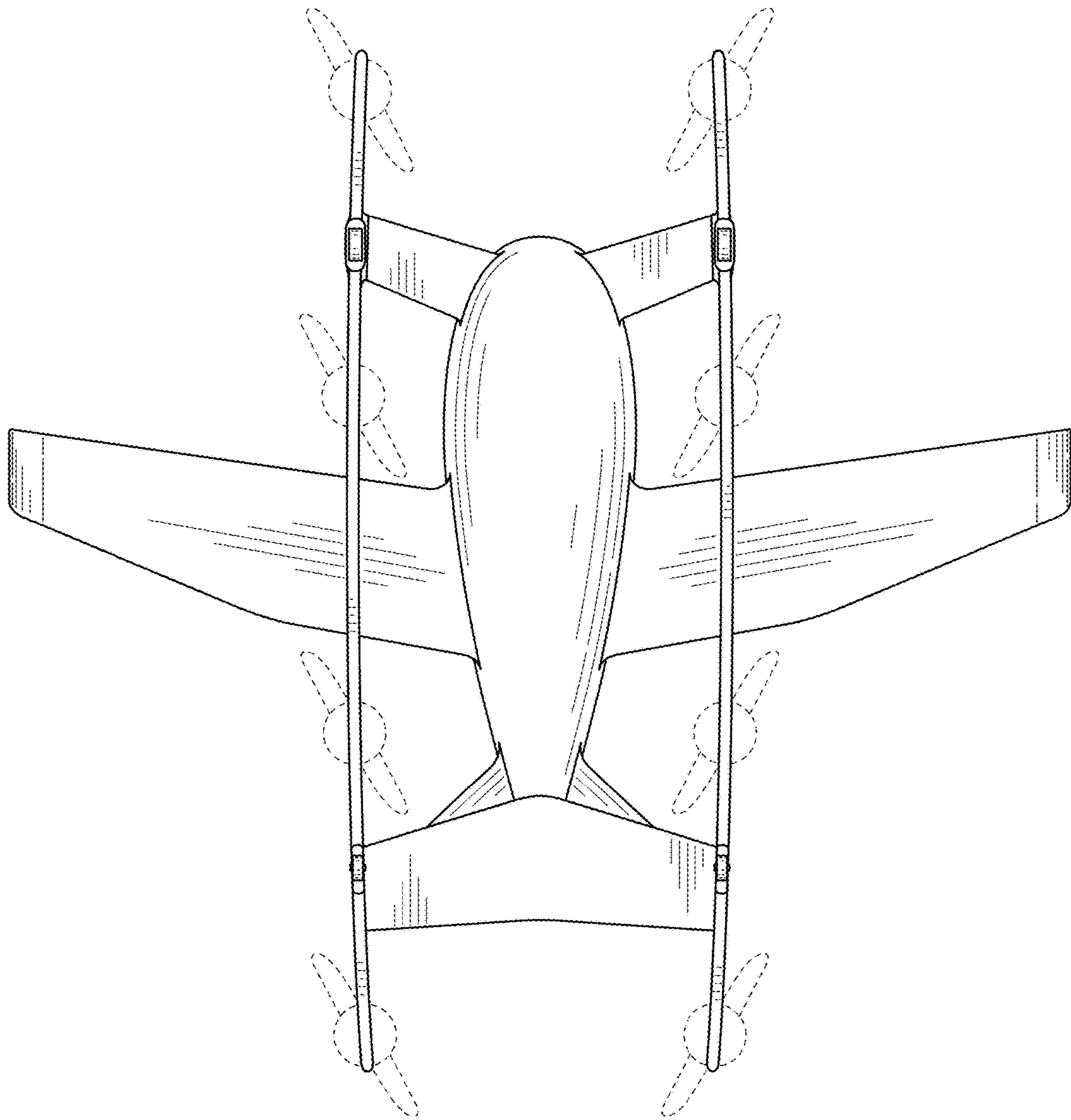


FIG. 7

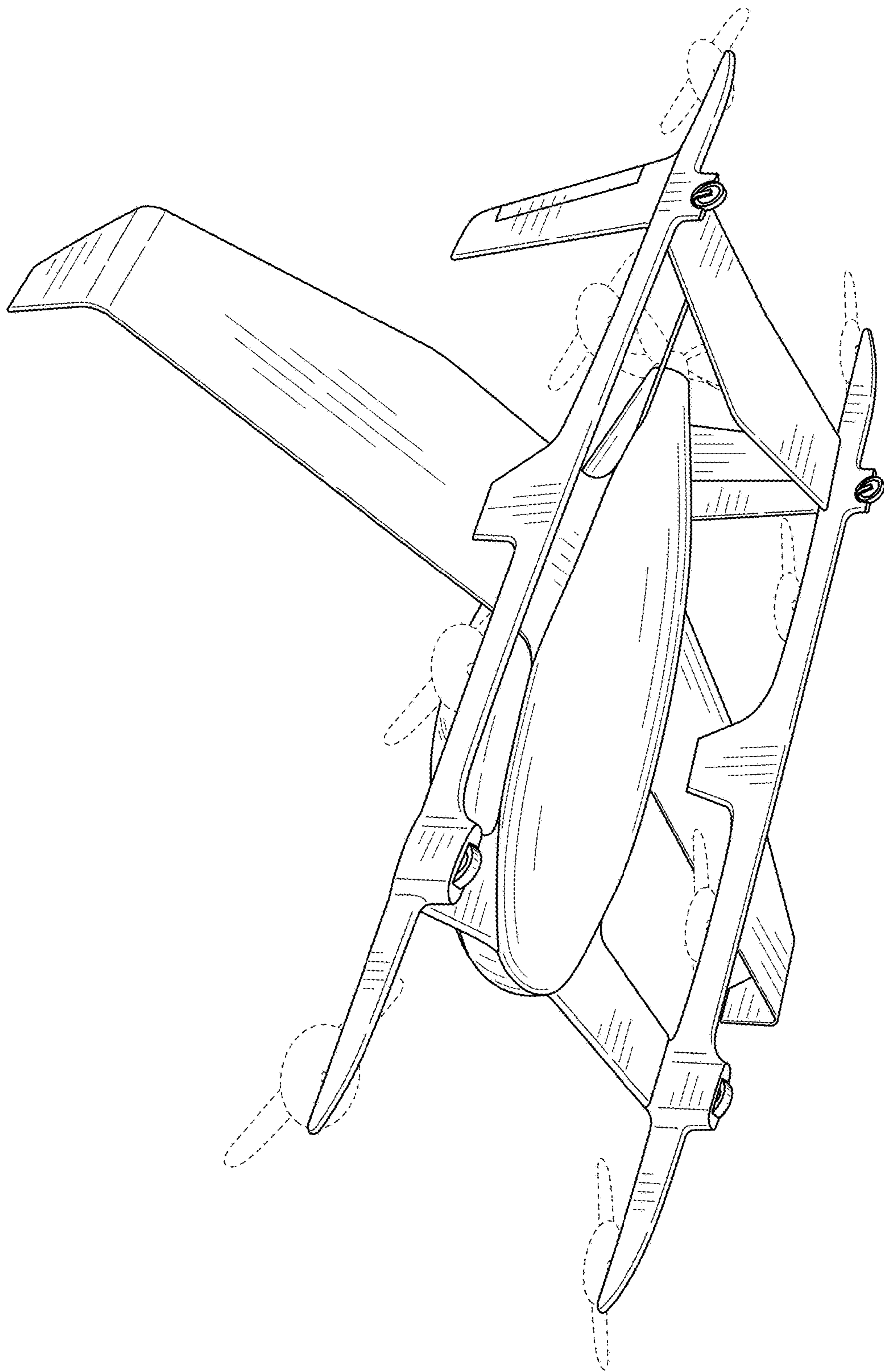


FIG. 8