



US00D822578S

(12) **United States Design Patent**
Crane

(10) **Patent No.:** **US D822,578 S**

(45) **Date of Patent:** **** Jul. 10, 2018**

- (54) **SAILBOAT**
- (71) Applicant: **Velum Limited**, Geneva (CH)
- (72) Inventor: **William Crane**, Norwalk, CT (US)
- (73) Assignee: **Velum Limited**, Geneva (CH)
- (**) Term: **15 Years**
- (21) Appl. No.: **29/564,454**
- (22) Filed: **May 13, 2016**
- (51) **LOC (11) Cl.** **12-06**
- (52) **U.S. Cl.**
USPC **D12/303**
- (58) **Field of Classification Search**
USPC D12/300, 302–306, 308, 310, 313–314,
D12/316–318, 190, 194, 400;
D21/506–507, 533, 542–545; D23/259,
D23/266; D25/119–123, 128
CPC .. B63B 1/121; B63B 1/12; B63B 1/20; B63B
1/042; B63B 1/14; B63B 1/24; B63B
1/125; B63B 1/04; B63B 7/04; B63B
35/731; B63B 35/73; B63B 35/71; B63B
35/00; B63B 39/06; B63B 15/0083;
B63G 8/001; B63G 8/08; B63G 8/00;
B63G 2008/004; B63G 2008/005; B63G
2008/002; B21D 22/025
See application file for complete search history.

- 3,345,969 A * 10/1967 Purvis B63H 9/10
114/102.21
 - D212,345 S * 10/1968 Best D12/303
 - D218,718 S * 9/1970 Pyle D12/303
 - D219,315 S * 11/1970 Mull D12/303
 - D223,518 S * 4/1972 Crealock D12/303
 - 3,788,257 A * 1/1974 Miller B63B 41/00
114/102.22
 - D237,372 S * 10/1975 Cornwell D12/304
 - D239,375 S * 3/1976 Henry D12/303
- (Continued)

FOREIGN PATENT DOCUMENTS

GB 2030946 A * 4/1980

OTHER PUBLICATIONS

Kama Yachts, posted at Sailinginfo4all.co.uk, no posting date given, site visited May 9, 2017, <https://www.sailinginfo4all.co.uk/boat-types/karma_yachts.htm>.*

(Continued)

Primary Examiner — Barbara Fox
Assistant Examiner — Messina L Smith
(74) *Attorney, Agent, or Firm* — Fay Sharpe LLP

(57) **CLAIM**

The ornamental design for a sailboat, as shown and described.

DESCRIPTION

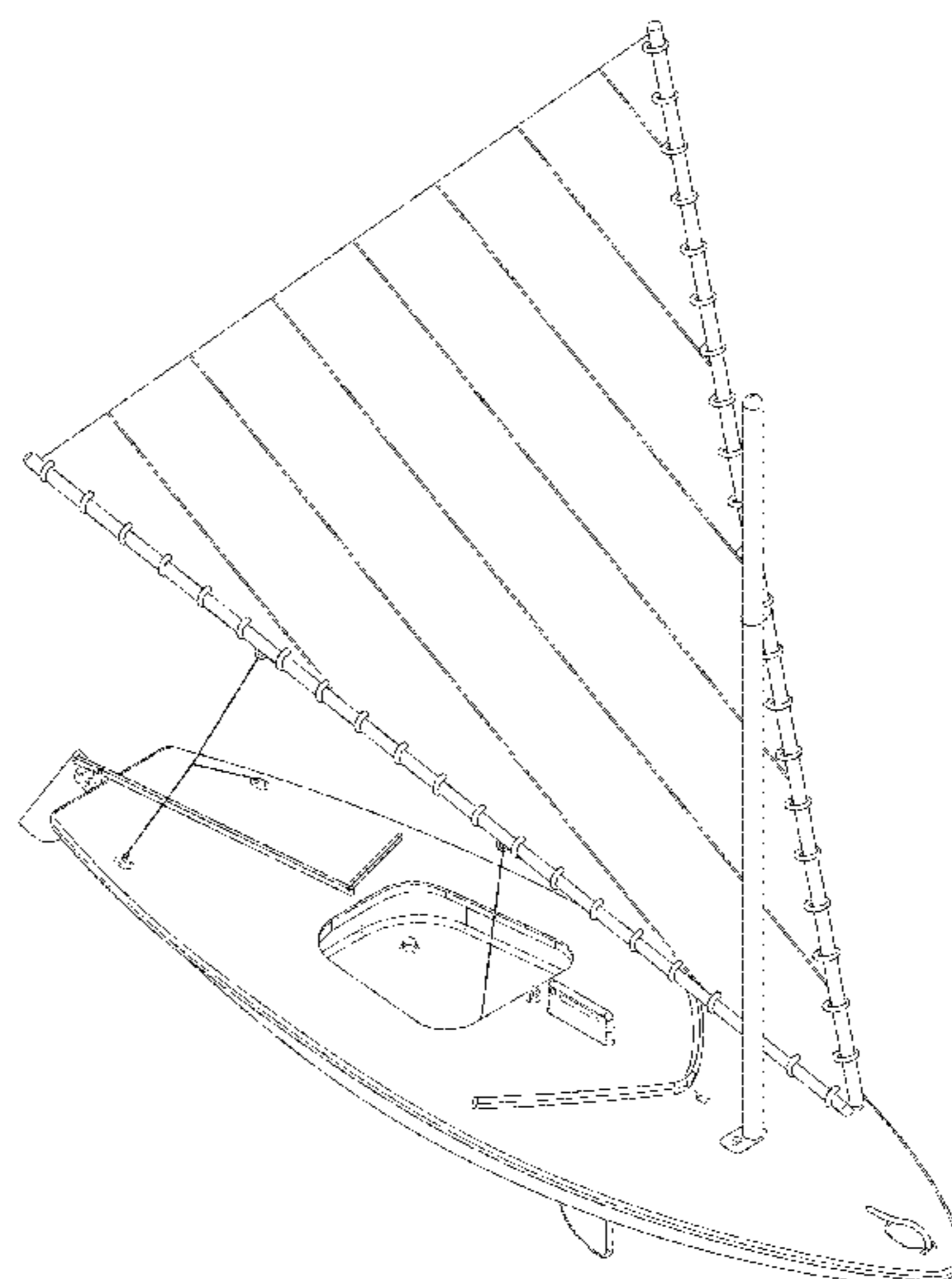
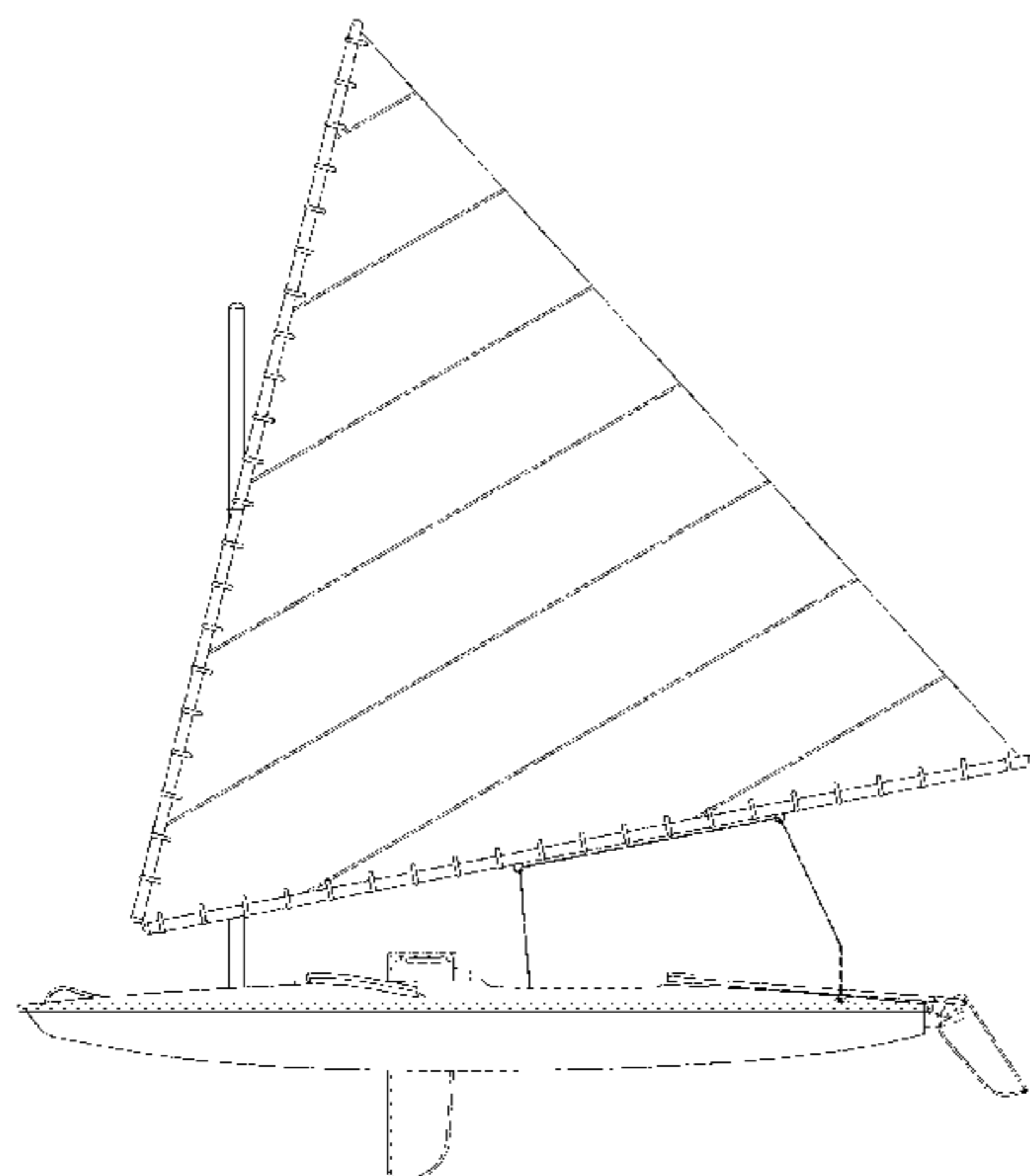
FIG. 1 is a front view of a sailboat, showing the new design; FIG. 2 is a rear view of the sailboat; FIG. 3 is a left side view of the sailboat; FIG. 4 is a right side view of the sailboat; FIG. 5 is a bottom view of the sailboat; FIG. 6 is a top view of the sailboat; FIG. 7 is a front top perspective view of the sailboat; and, FIG. 8 is a rear top perspective view of the sailboat.

1 Claim, 7 Drawing Sheets

(56) **References Cited**

U.S. PATENT DOCUMENTS

- 2,197,654 A * 4/1940 Beaudry B63H 9/1042
114/107
- D179,618 S * 1/1957 Wendt D12/303
- 3,054,372 A * 9/1962 Jones, Jr. B63B 35/73
114/140
- D198,609 S * 7/1964 Hamilton D12/303
- D199,550 S * 11/1964 Rowe D12/303
- 3,291,088 A * 12/1966 Klose B63B 35/71
114/138



(56)

References Cited

U.S. PATENT DOCUMENTS

D241,325 S * 9/1976 Crealock D12/303
 4,061,100 A * 12/1977 Muhlfeld B62B 15/001
 114/43
 4,190,980 A * 3/1980 Grycel A63H 23/02
 114/144 A
 4,377,124 A * 3/1983 Guigan B63B 41/00
 114/127
 D284,681 S * 7/1986 Sugihara D21/544
 4,694,769 A * 9/1987 Sowers B63B 15/02
 114/109
 D305,751 S * 1/1990 Roberson D12/303
 5,347,946 A * 9/1994 Puckett B63H 9/0614
 114/102.23
 5,431,121 A * 7/1995 Canepa B63B 41/00
 114/102.15
 D368,210 S * 3/1996 Arellano D12/303
 5,524,565 A * 6/1996 Lavin B63H 9/10
 114/219

6,932,010 B1 * 8/2005 Hoyt B63H 9/06
 114/39.21
 7,000,555 B1 * 2/2006 Buchner B63B 15/0083
 114/90
 2003/0064187 A1 * 4/2003 Blanchette B32B 1/08
 428/36.9
 2007/0199497 A1 * 8/2007 Bedell B63H 25/08
 114/144 R
 2015/0274266 A1 * 10/2015 Eveleth B63B 39/06
 114/39.24
 2015/0307175 A1 * 10/2015 Stone, Jr. B63H 16/12
 440/15

OTHER PUBLICATIONS

Stock Photo—sailing boat boats yacht boating sail sailing sails wind in your sea competition one man dingy Dingyi's, postes on Alamy. com, posted on Dec. 28, 2009, site visited May 9, 2017, <<http://www.alamy.com/stock-photo-sailing-boat-boats-yacht-boating-sail-sailing-sails-wind-in-your-sea-27590114.html>>.*

* cited by examiner

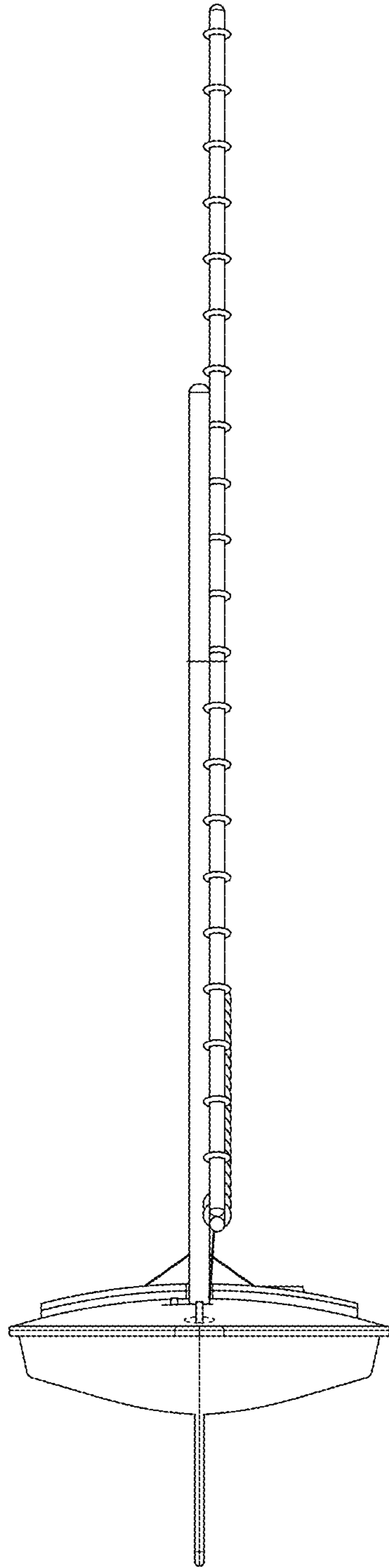


FIG. 1

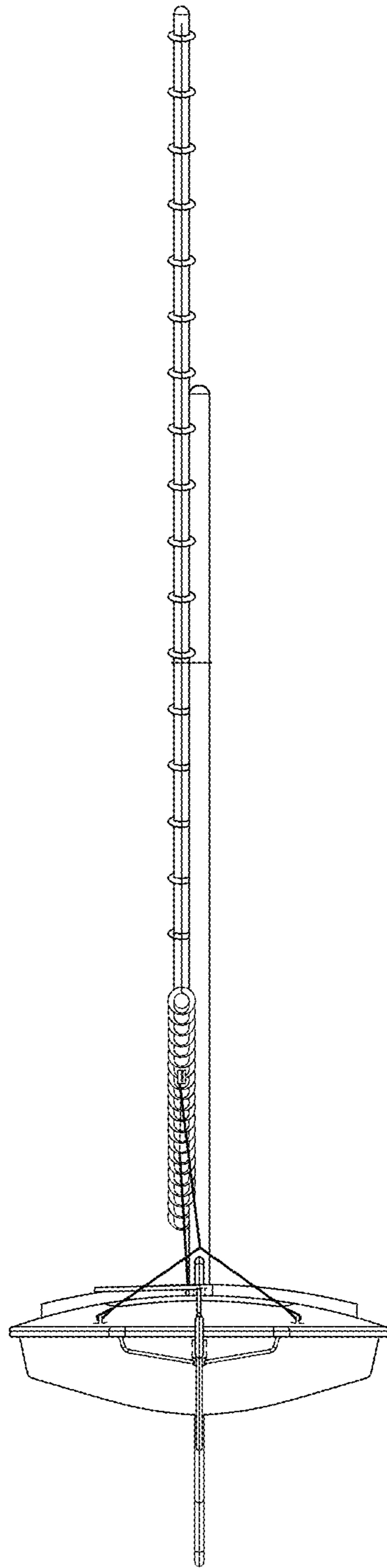


FIG. 2

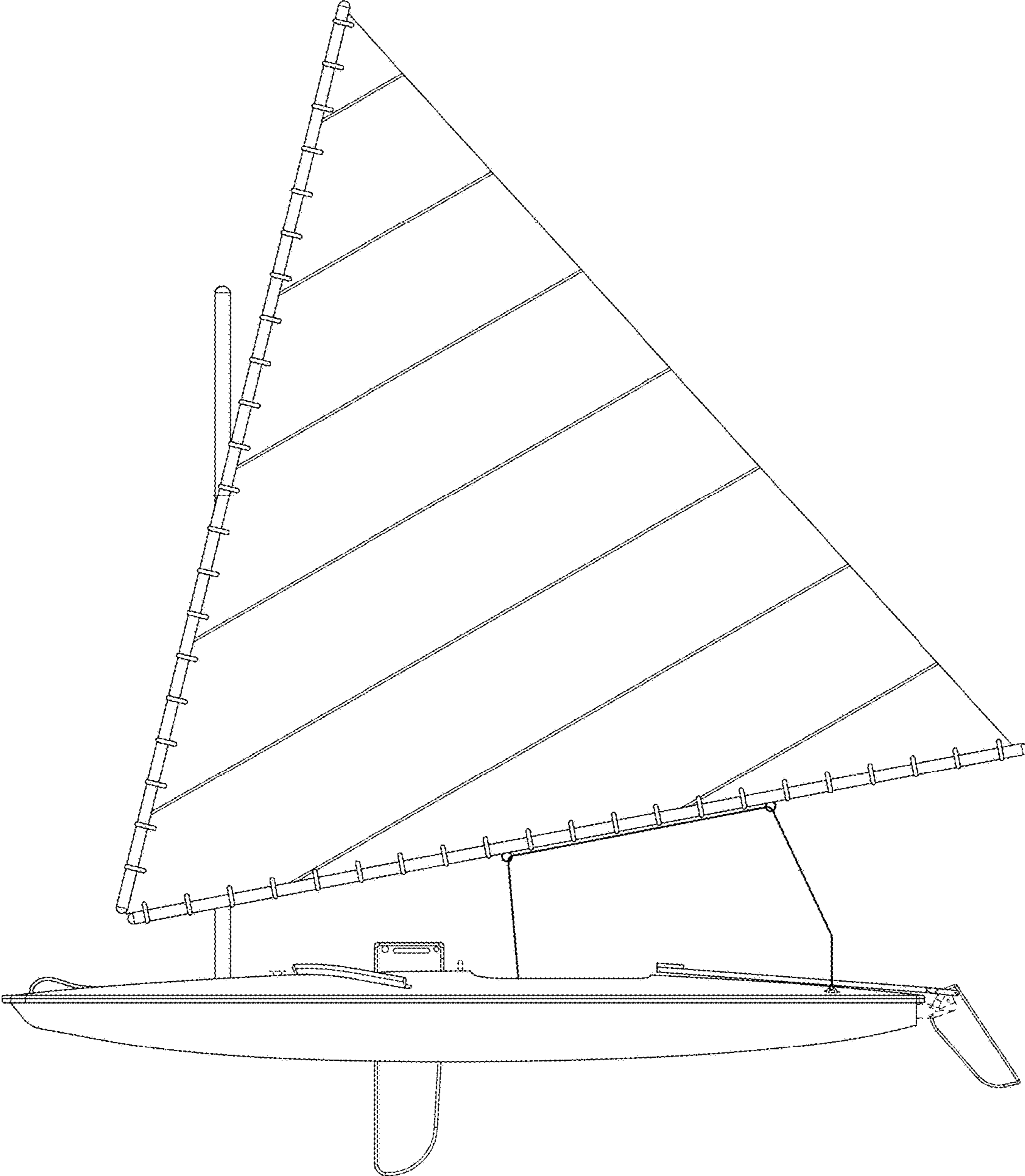


FIG. 3

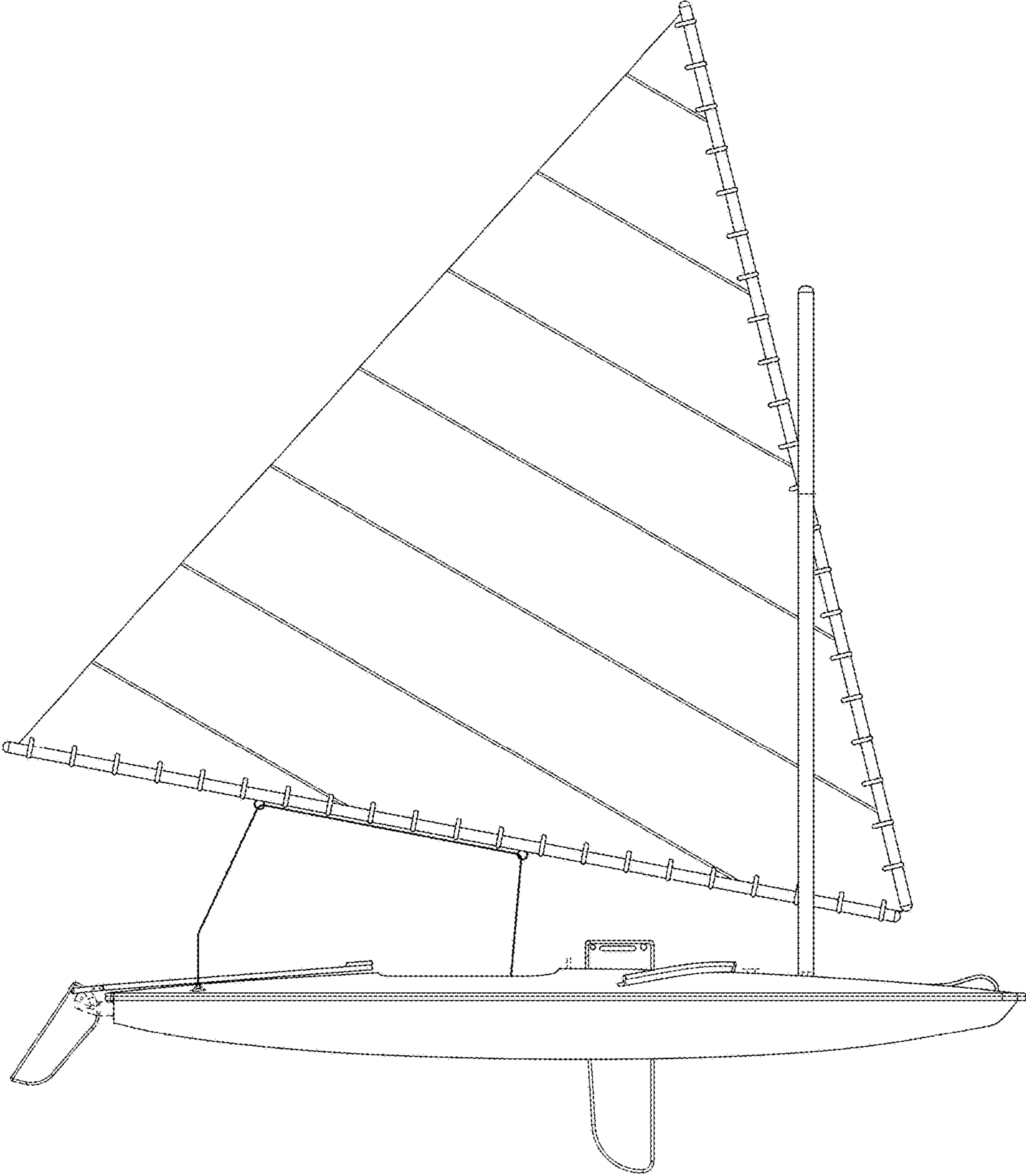


FIG. 4

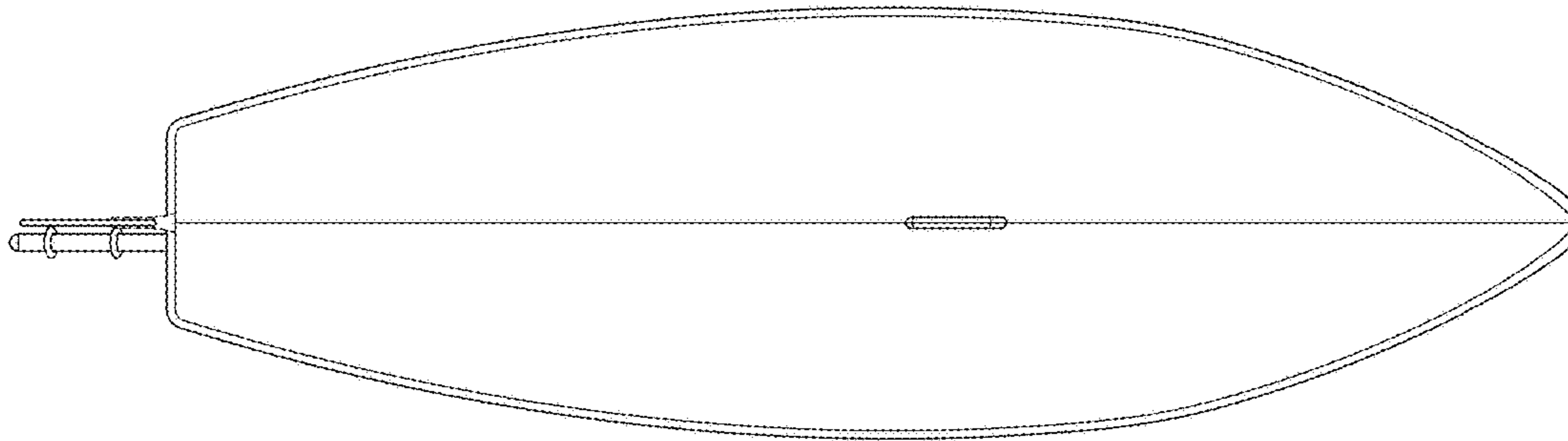


FIG. 5

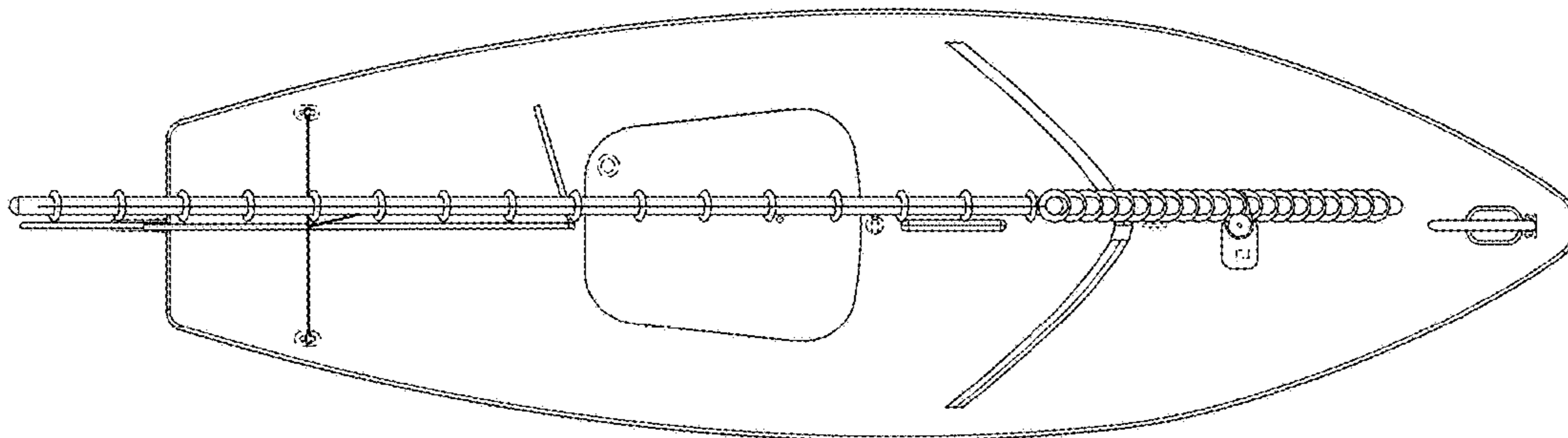


FIG. 6

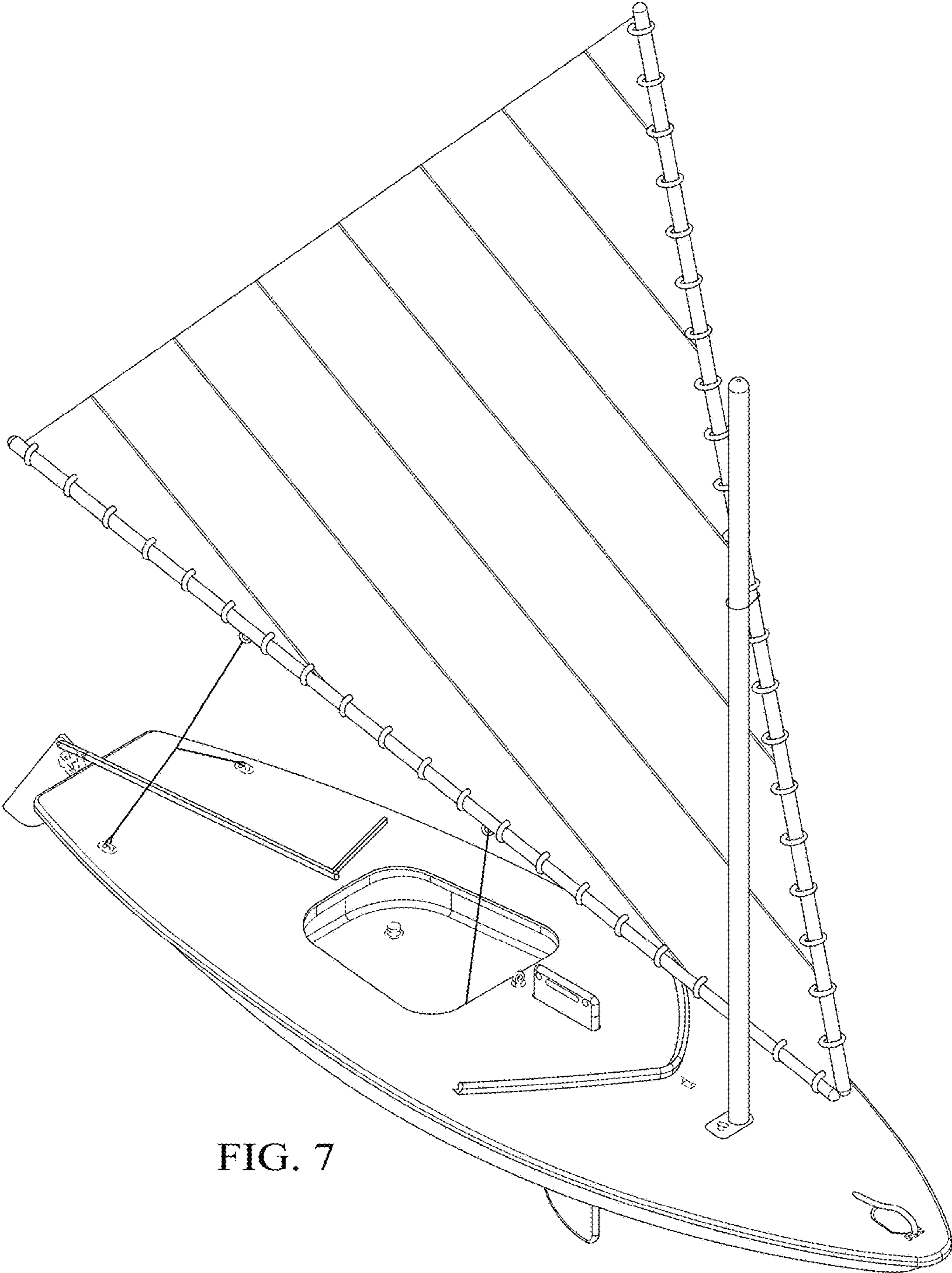


FIG. 7

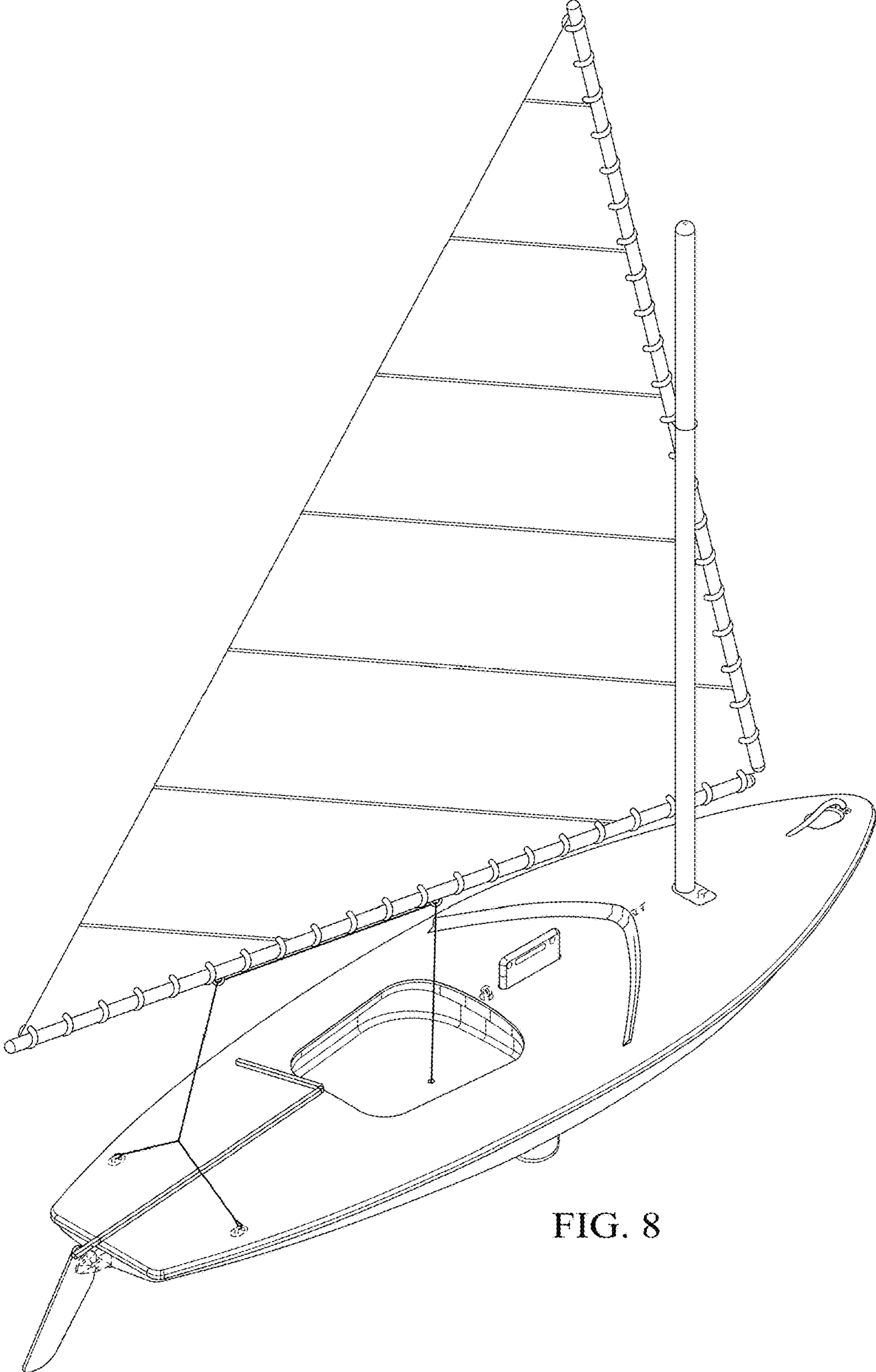


FIG. 8