



US00D822577S

(12) **United States Design Patent**
Yamamoto

(10) **Patent No.:** **US D822,577 S**
(45) **Date of Patent:** **** Jul. 10, 2018**

(54) **BOAT**
(71) Applicant: **Yamaha Hatsudoki Kabushiki Kaisha,**
Shizuoka-ken (JP)
(72) Inventor: **Higashi Yamamoto,** Kyoto-fu (JP)
(73) Assignee: **YAMAHA HATSUDOKI**
KABUSHIKI KAISHA (JP)
(**) Term: **15 Years**

D400,844 S * 11/1998 Lapointe D12/307
D482,648 S * 11/2003 Eck D12/300
6,925,957 B2 * 8/2005 Schultz B63B 15/00
114/253
D632,631 S * 2/2011 Quirin D12/300
D679,236 S * 4/2013 Gros D12/300
D691,546 S * 10/2013 Yamamoto D12/300
D692,365 S * 10/2013 Yamamoto D12/300
8,555,802 B2 * 10/2013 Oswell B63B 35/816
114/343
D751,969 S * 3/2016 Yamamoto D12/300
2003/0183150 A1 * 10/2003 Eck B63B 3/48
114/363

(21) Appl. No.: **29/555,998**
(22) Filed: **Feb. 26, 2016**
(51) **LOC (11) Cl.** **12-06**
(52) **U.S. Cl.**
USPC **D12/300**
(58) **Field of Classification Search**
USPC D12/300, 302, 303, 304, 307, 310–314,
D12/316, 317; 114/39.11–39.15,
114/39.21–39.32, 61.1, 61.2, 61.32,
114/61.33, 62, 355–358, 271, 273, 283,
114/288–292, 343, 363; 440/27, 35
CPC B63B 17/00; B63B 17/02; B63B 35/81;
B63B 35/816; B62B 21/04
See application file for complete search history.

* cited by examiner

Primary Examiner — Cynthia M Chin
(74) *Attorney, Agent, or Firm* — Ostrolenk Faber LLP

(57) **CLAIM**

The ornamental design for a boat, as shown and described.

DESCRIPTION

FIG. 1 is a first perspective view of a boat;
FIG. 2 is a second perspective view thereof;
FIG. 3 is a front view thereof;
FIG. 4 is a rear view thereof;
FIG. 5 is a left side view thereof;
FIG. 6 is a right side view thereof;
FIG. 7 is a top view thereof; and,
FIG. 8 is a bottom view thereof.
The broken lines illustrate portions of the article that form no part of the claimed design.

(56) **References Cited**
U.S. PATENT DOCUMENTS

D349,878 S * 8/1994 Wenstadt D12/313
D395,273 S * 6/1998 Maki D12/300

1 Claim, 8 Drawing Sheets

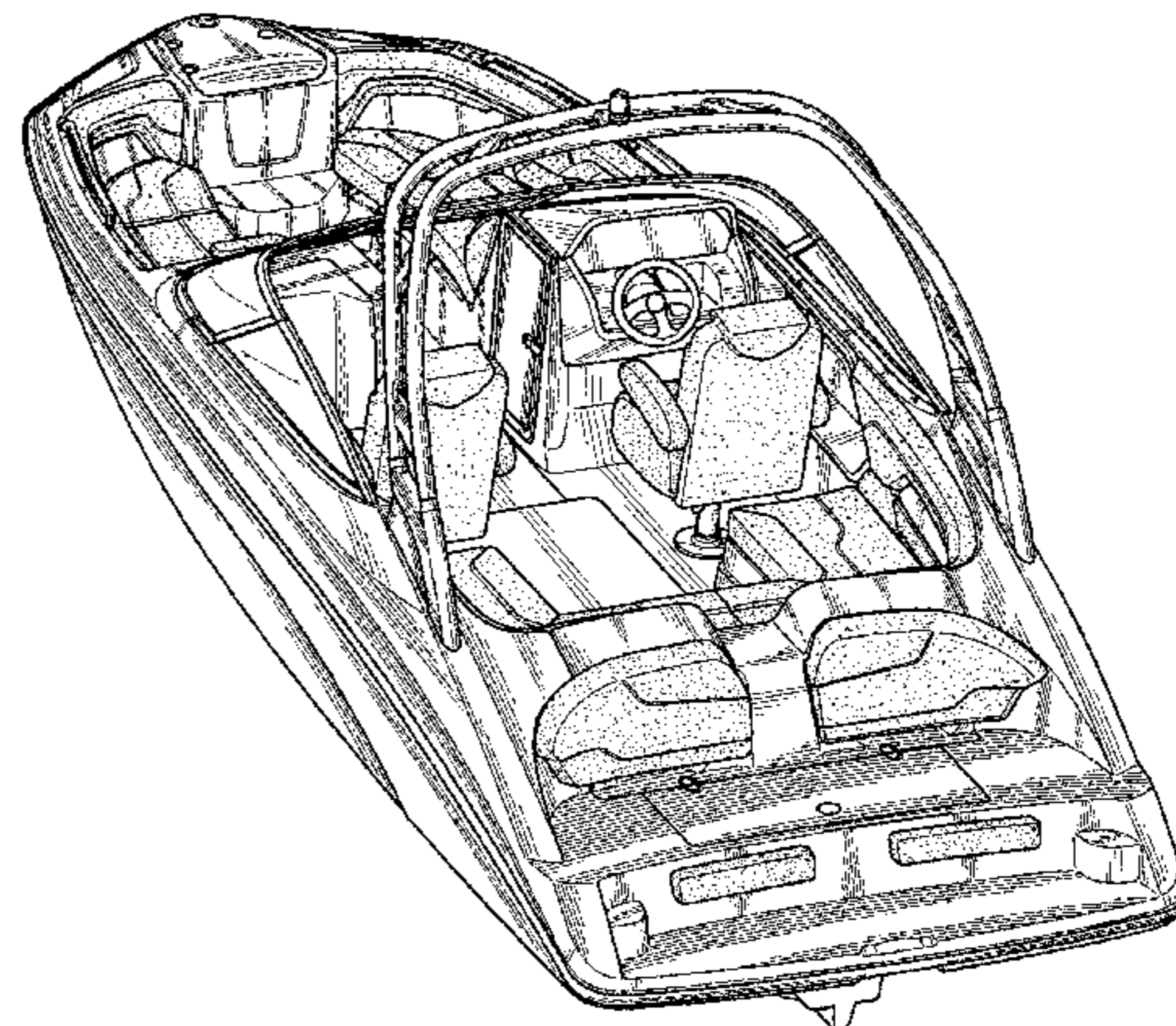
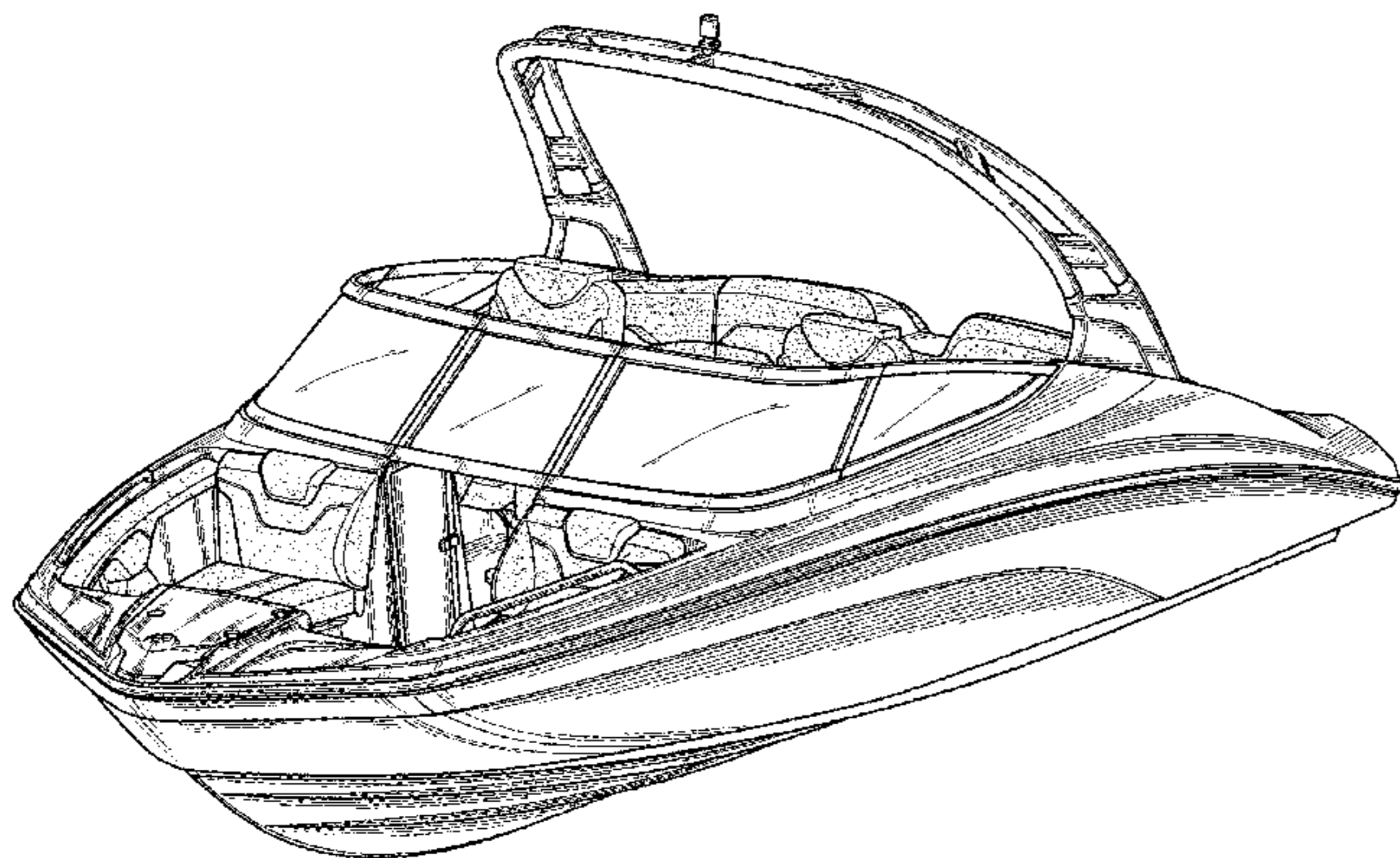


FIG. 1

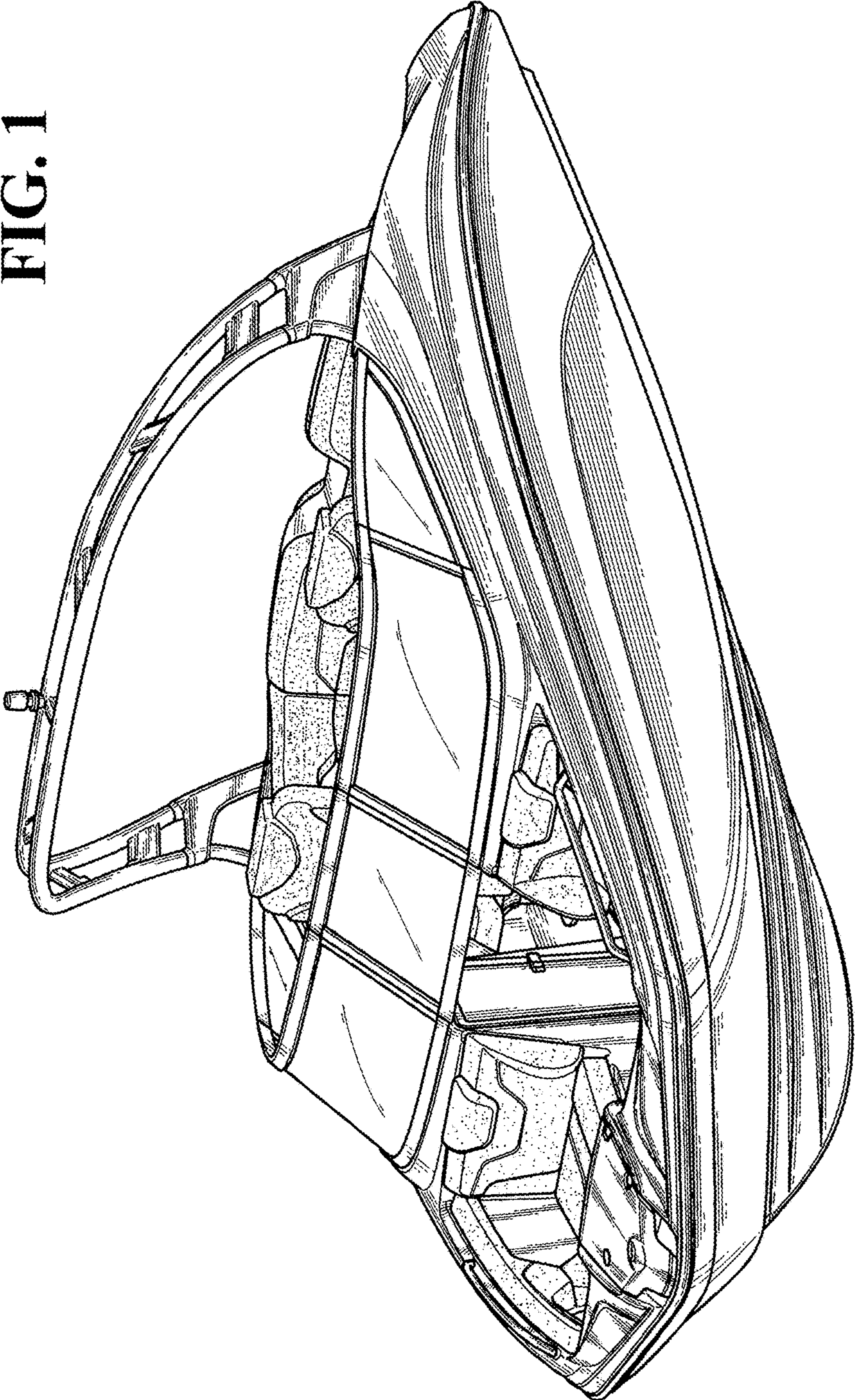


FIG. 2

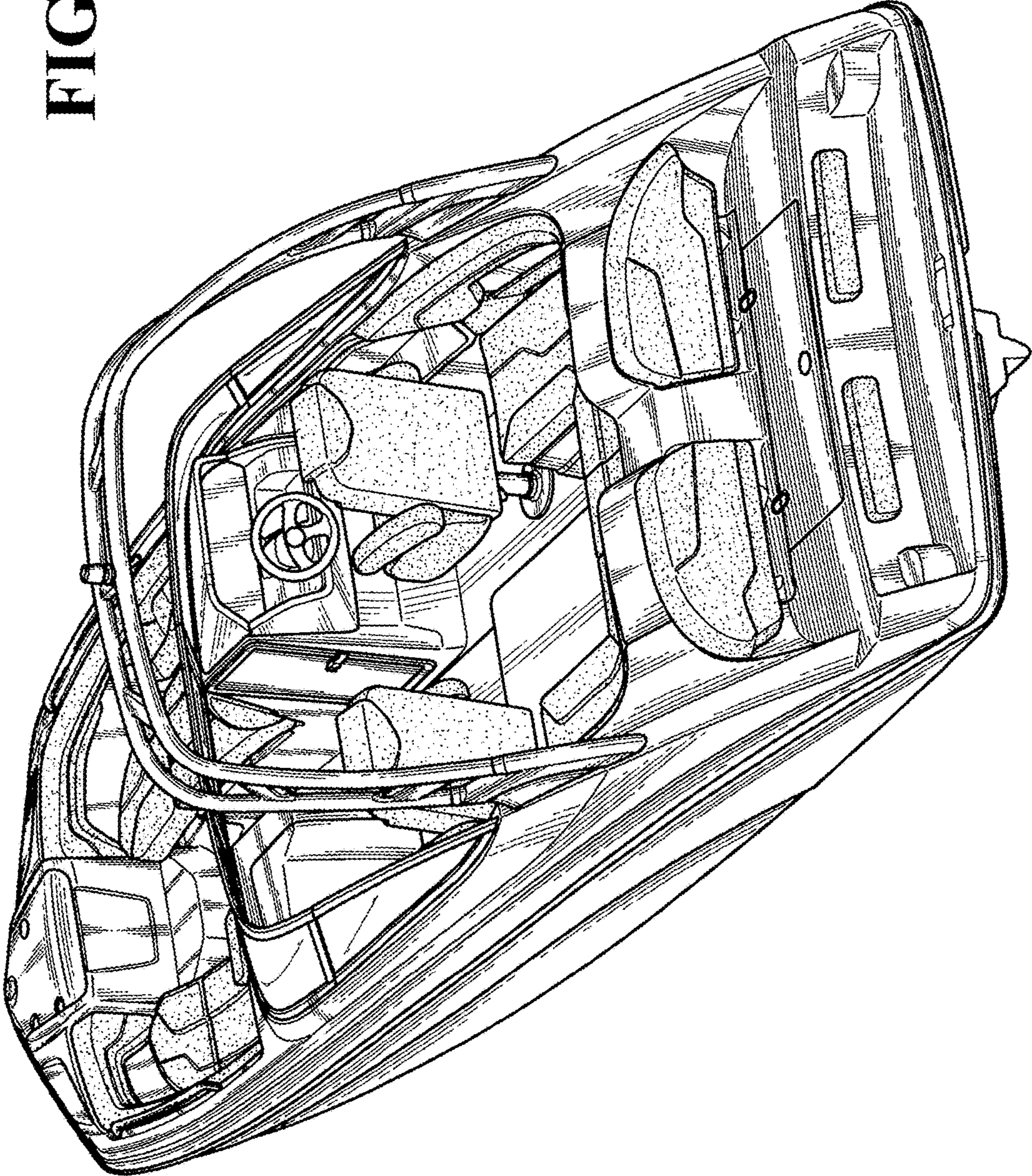
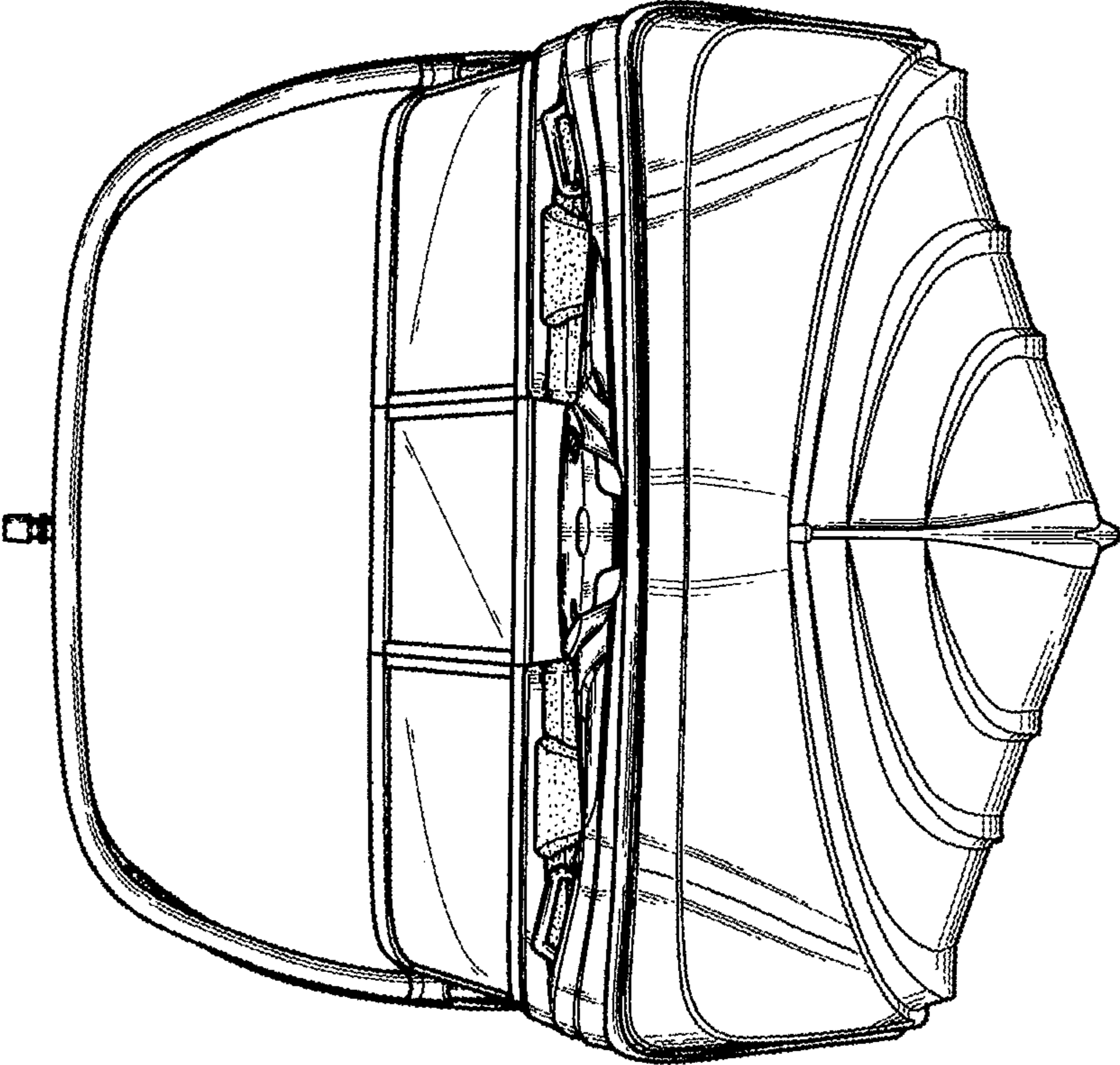


FIG. 3



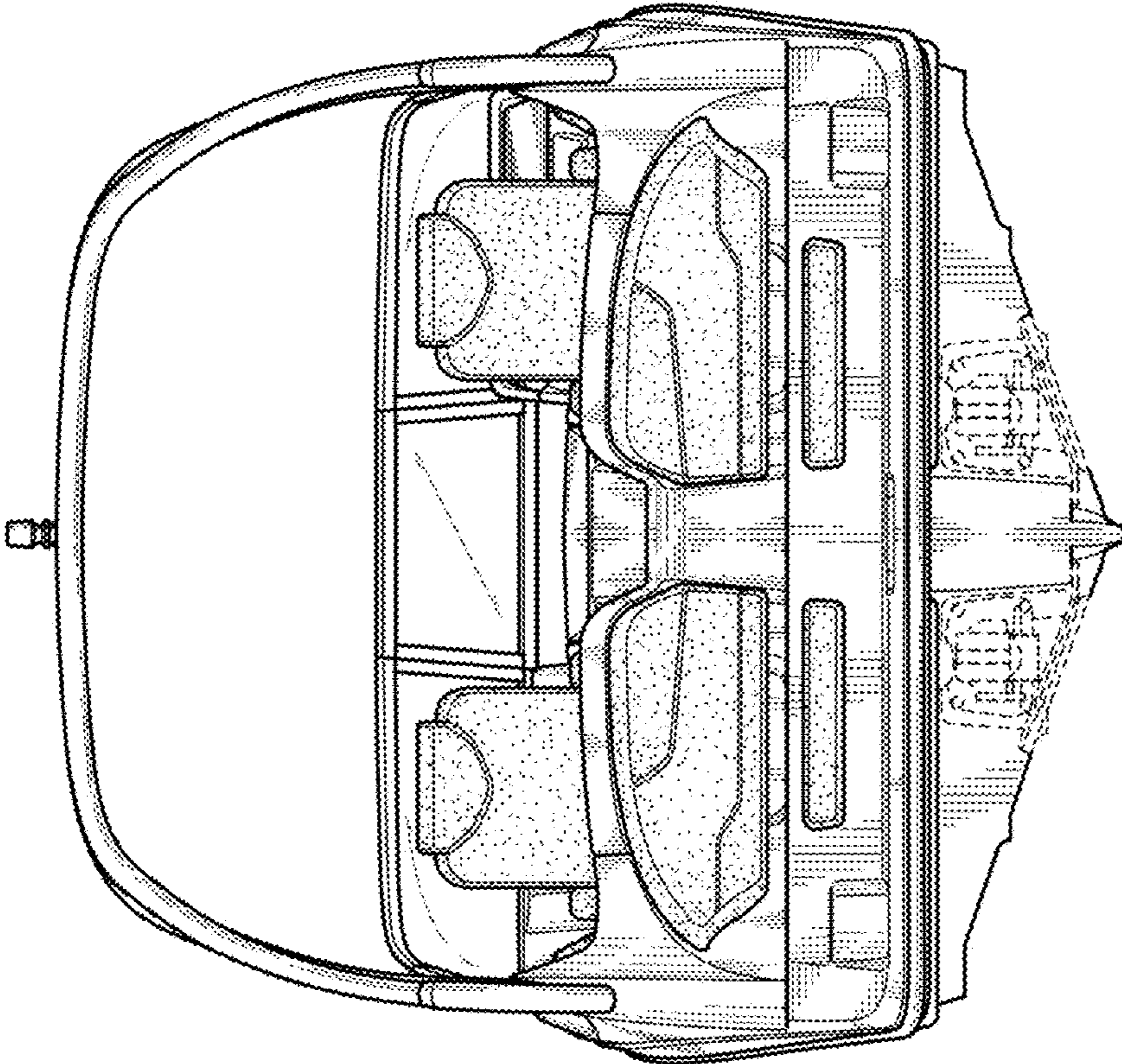


Fig.4

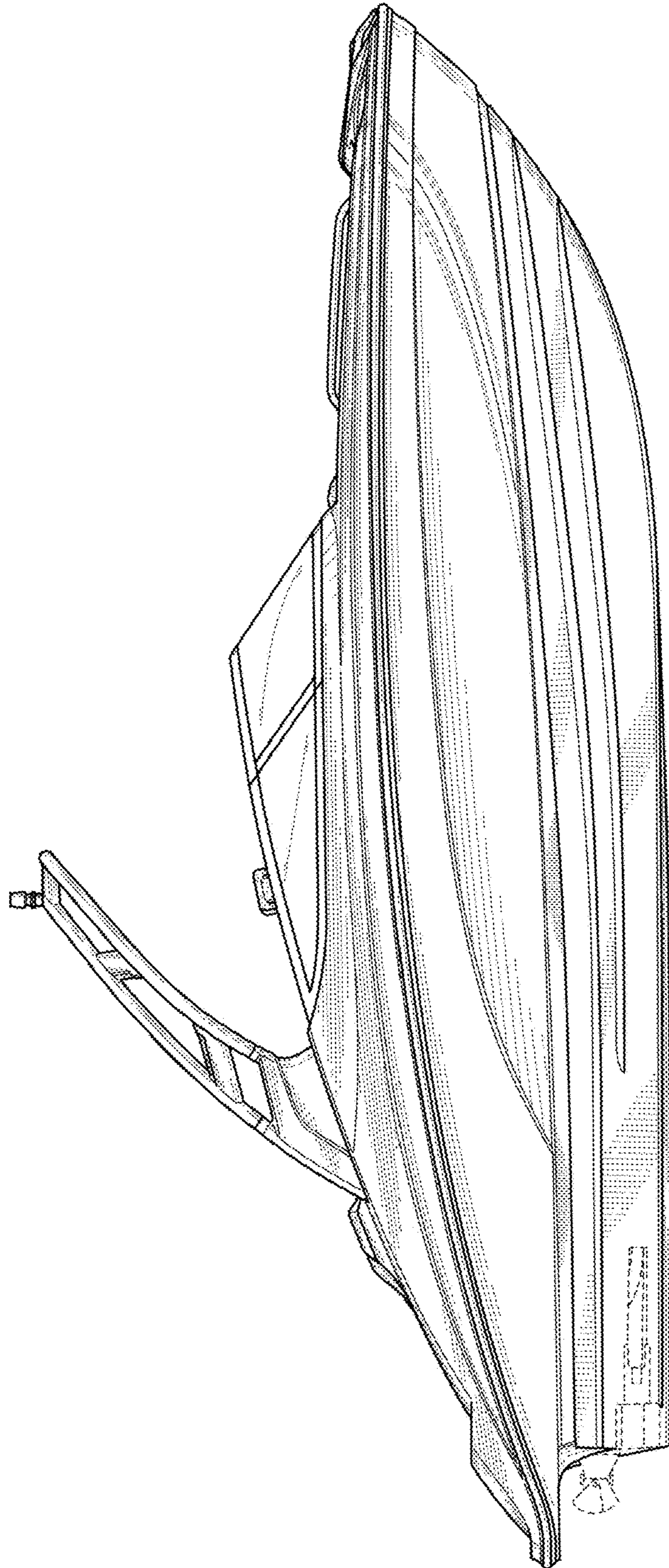


Fig.5

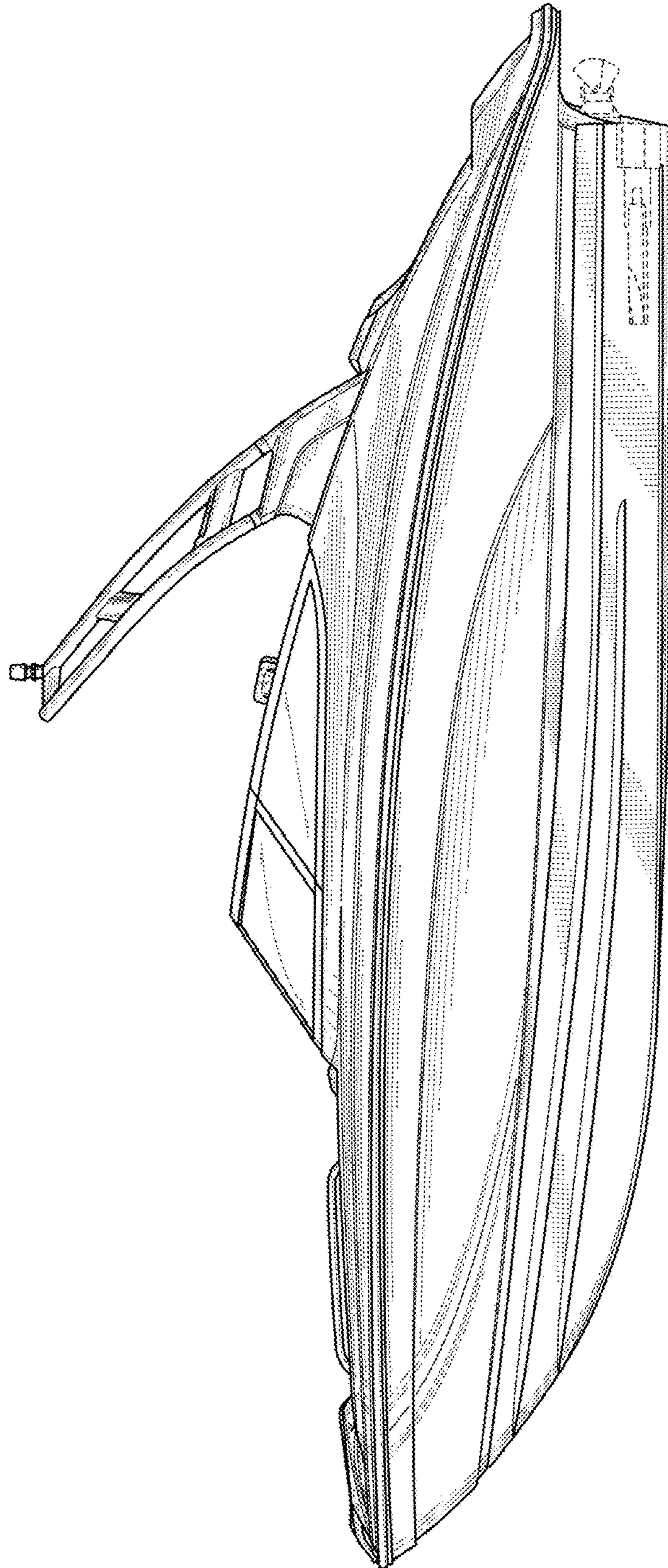
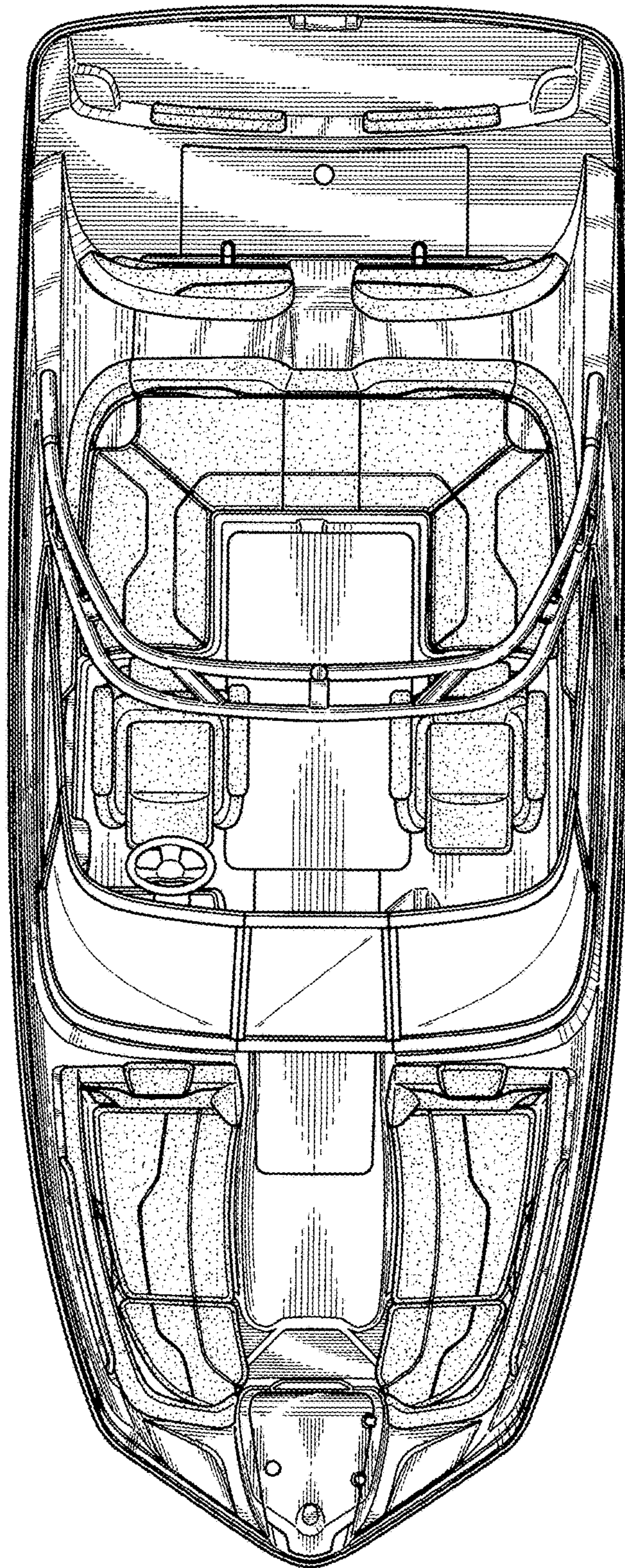


Fig.6

FIG. 7



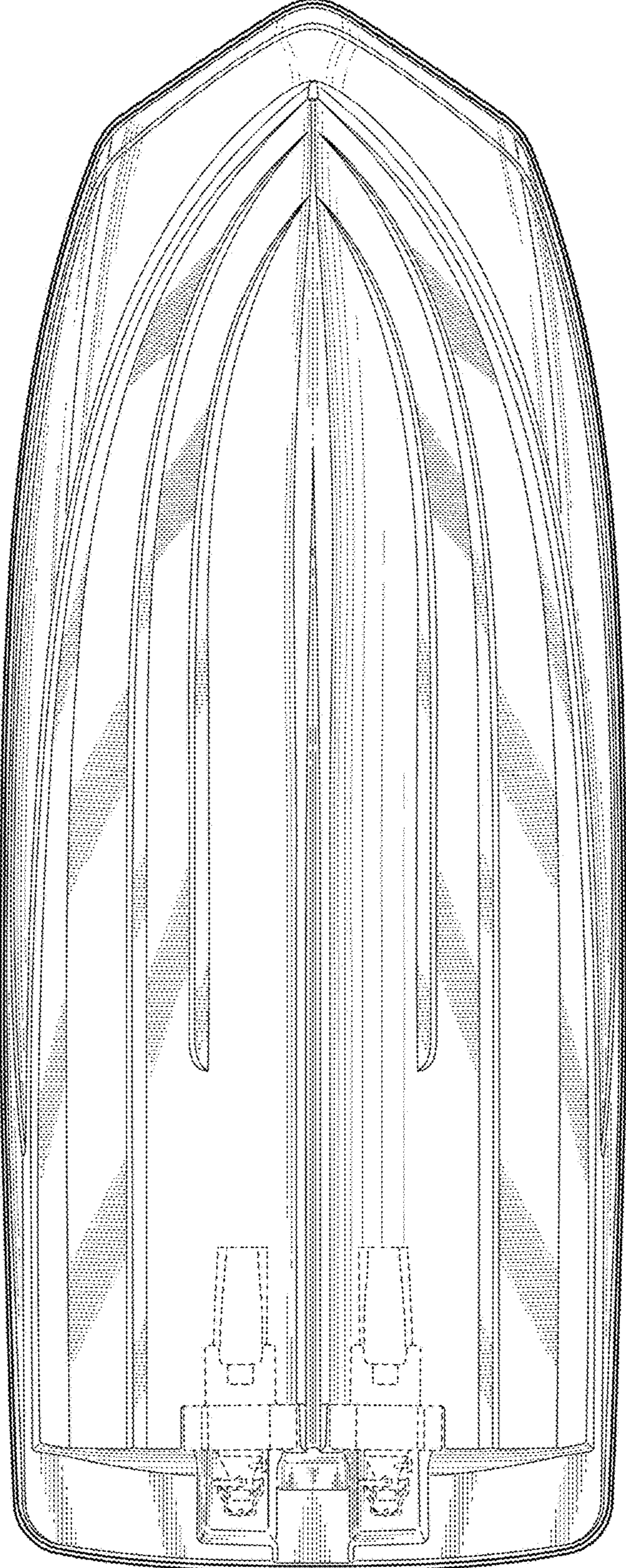


Fig. 8