



US00D822576S

(12) **United States Design Patent** (10) **Patent No.:** **US D822,576 S**
Austin (45) **Date of Patent:** **** Jul. 10, 2018**

(54) **WHEEL**
(71) Applicant: **Jaguar Land Rover Limited**, Whitley,
Coventry (GB)
(72) Inventor: **Robin Austin**, Coventry (GB)
(73) Assignee: **Jaguar Land Rover Limited**, Whitley,
Coventry (GB)
(**) Term: **15 Years**
(21) Appl. No.: **29/591,147**
(22) Filed: **Jan. 17, 2017**
(30) **Foreign Application Priority Data**

Aug. 18, 2016 (EM) 003345347-0003

(51) **LOC (11) Cl.** **12-16**
(52) **U.S. Cl.**
USPC **D12/211**
(58) **Field of Classification Search**
USPC D12/400, 204-213, 217
CPC B60B 7/00; B60B 7/02; B60B 7/04; B60B
7/01; B60B 7/06; B60B 3/02; B60B 3/04;
B60B 3/06; B60B 3/10; B60B 1/00;
B60B 1/08; B60B 1/10; B60B 1/12
See application file for complete search history.

(56) **References Cited**

U.S. PATENT DOCUMENTS

D500,726 S * 1/2005 Hettler D12/211
D647,449 S * 10/2011 Gotschke D12/209
D696,177 S * 12/2013 Juergens D12/209
D720,276 S * 12/2014 Morgenstern D12/211
D726,628 S * 4/2015 Kong D12/211
D734,238 S * 7/2015 Baum D12/211
D735,105 S * 7/2015 Baum D12/209
D740,734 S * 10/2015 Wheel D12/209

D745,842 S * 12/2015 Wheel D12/209
D758,275 S * 6/2016 Patel D12/209
D762,545 S * 8/2016 Hodges D12/209
D765,004 S * 8/2016 Holstein D12/211
D765,005 S * 8/2016 Garbas D12/211
D765,573 S * 9/2016 Johnson D12/211
D777,075 S * 1/2017 Rueckheim D12/211
D777,077 S * 1/2017 Bjerke D12/211
D781,205 S * 3/2017 O'Neill D12/211
D784,889 S * 4/2017 Peat D12/209
D784,896 S * 4/2017 Tovey D12/211
D786,767 S * 5/2017 Bjerke D12/209
D787,415 S * 5/2017 Juergens D12/211
D788,011 S * 5/2017 Mielke D12/211
D788,678 S * 6/2017 Svensson D12/211
D789,270 S * 6/2017 Hodges D12/209
D790,429 S * 6/2017 Juergens D12/211
D791,034 S * 7/2017 Rueckheim D12/209
D791,048 S * 7/2017 Valencia Pollex D12/211
D792,315 S * 7/2017 Mielke D12/211

(Continued)

Primary Examiner — Susan Bennett Hattan

Assistant Examiner — Marie D. Fast Horse

(74) *Attorney, Agent, or Firm* — Wood Herron & Evans
LLP

(57) **CLAIM**

The ornamental design for a wheel, as shown and described.

DESCRIPTION

FIG. 1 is a front left perspective view of a wheel for a vehicle according to the present invention.

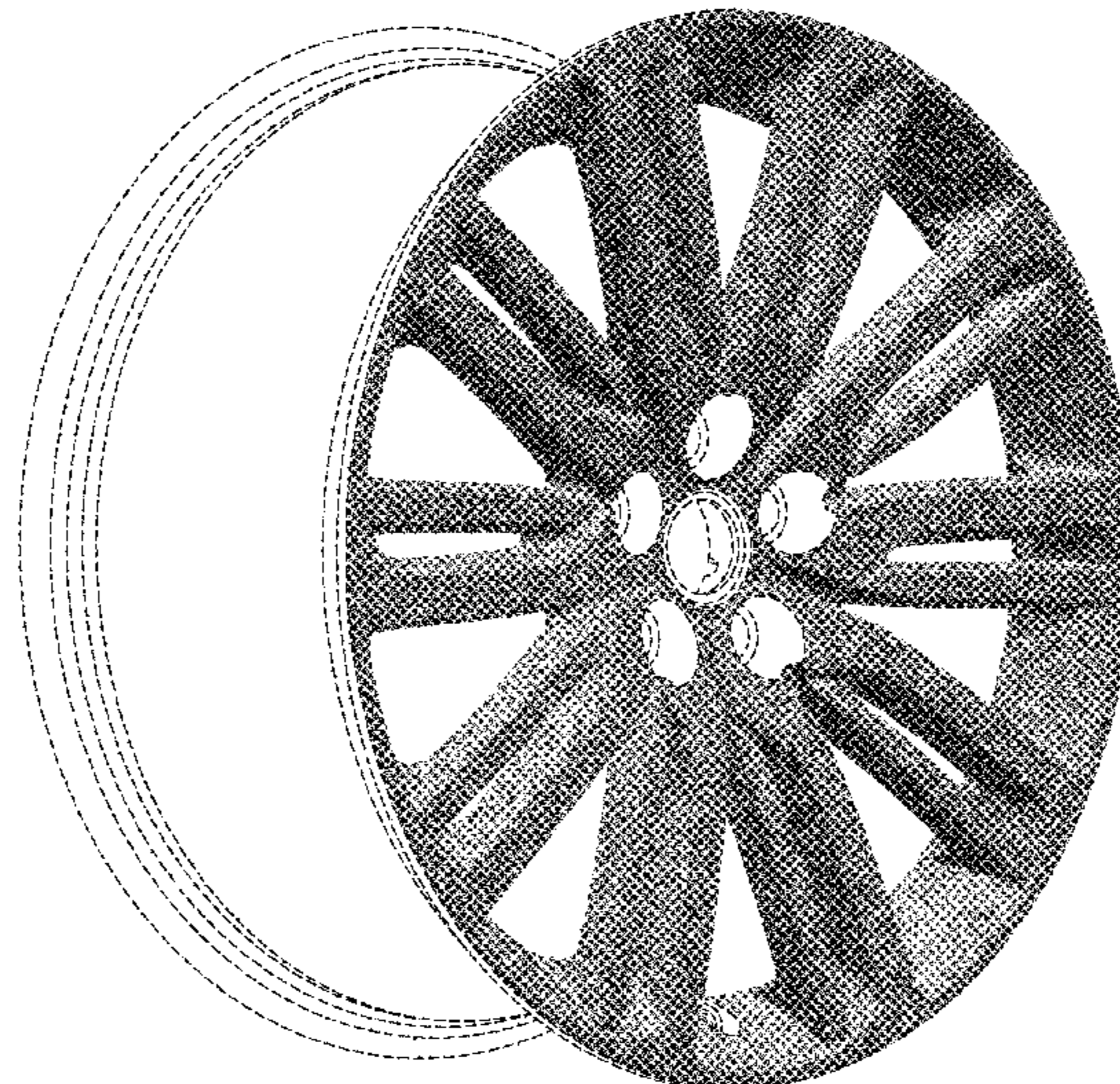
FIG. 2 is a front right perspective view thereof.

FIG. 3 is a front view thereof; and,

FIG. 4 is a left side view thereof, the right side being a mirror image thereof.

The broken line showing of the rear portion of the wheel, the bolt holes, the center hole, and the valve stem hole is included for the purpose of illustrating environment and forms no part of the claimed design.

1 Claim, 3 Drawing Sheets



(56)

References Cited

U.S. PATENT DOCUMENTS

D793,942	S *	8/2017	Factor	D12/211
D794,531	S *	8/2017	Zhao	D12/211
D795,148	S *	8/2017	Ariga	D12/209
D795,153	S *	8/2017	Peat	D12/211
D796,410	S *	9/2017	Churchill	D12/211
D798,788	S *	10/2017	Valencia Pollex	D12/211
D799,395	S *	10/2017	Chung	D12/209
D799,396	S *	10/2017	Song	D12/211
D806,632	S *	1/2018	Peat	D12/211
D806,633	S *	1/2018	Setter	D12/211
2016/0023509	A1 *	1/2016	Chenault	B60B 1/08 301/65

* cited by examiner

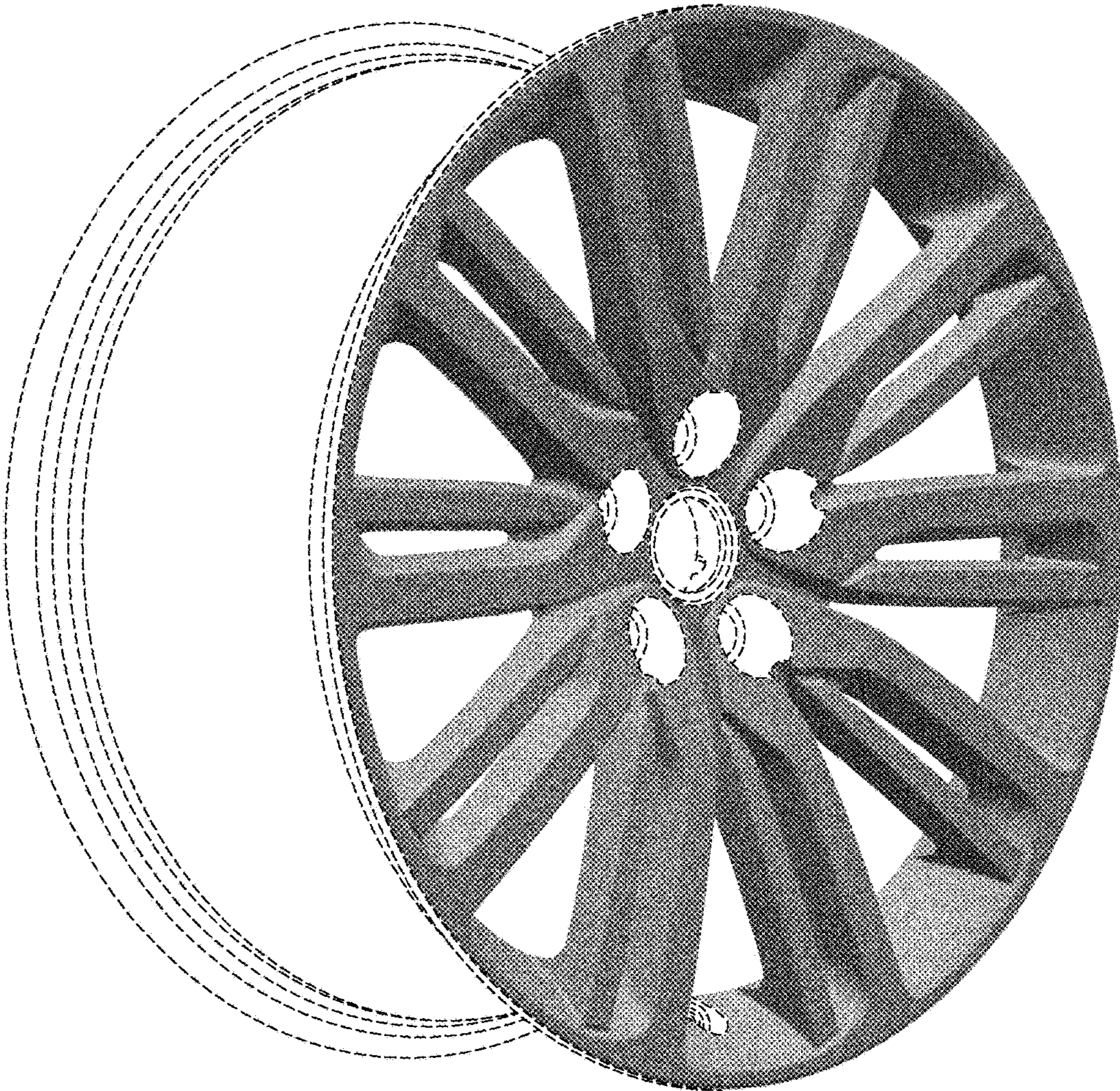


FIG. 1

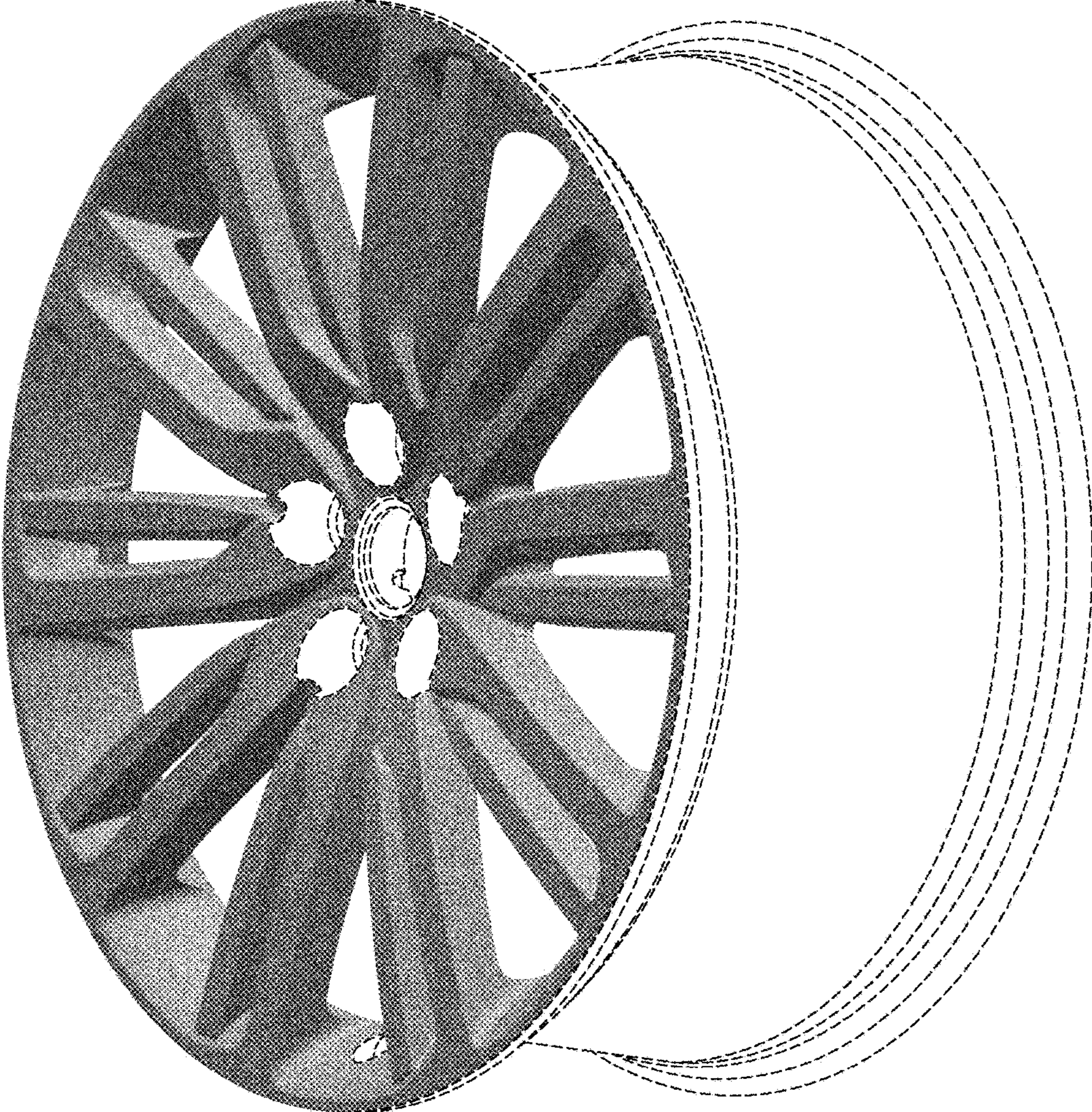


FIG. 2

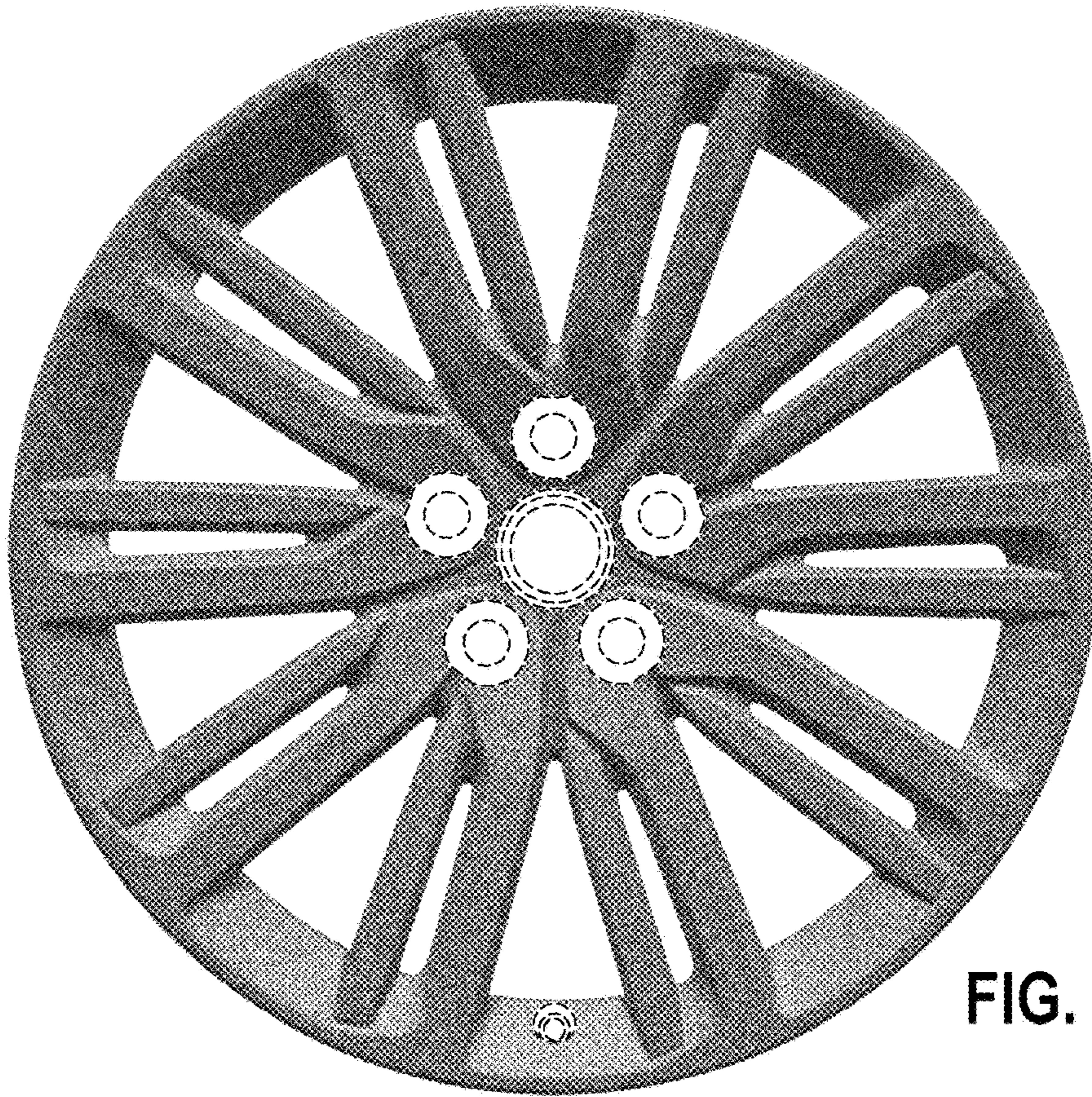


FIG. 3

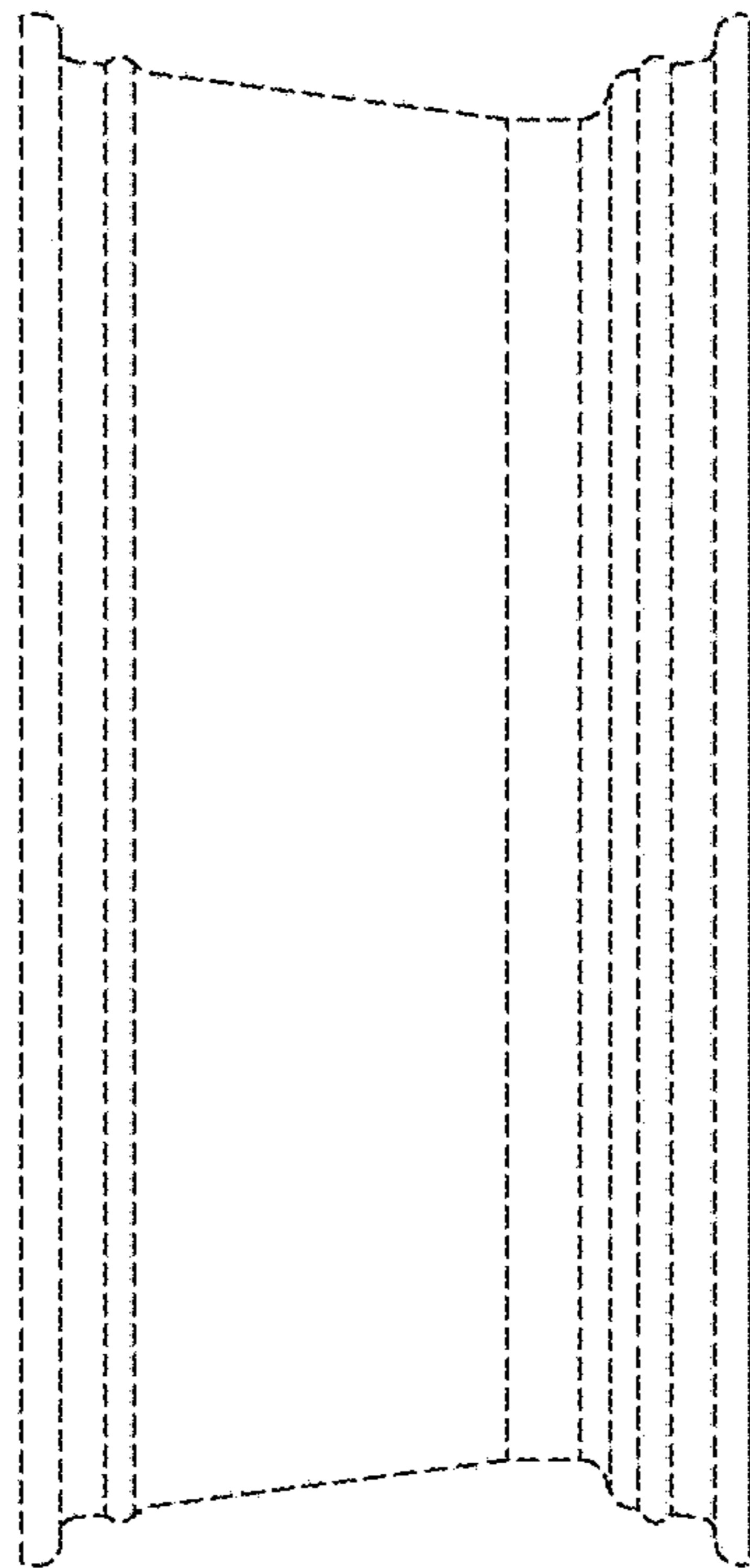


FIG. 4