



US00D822575S

(12) **United States Design Patent**
Chung

(10) **Patent No.:** **US D822,575 S**
(45) **Date of Patent:** **** Jul. 10, 2018**

- (54) **WHEEL**
- (71) Applicant: **Wheel Pros, LLC**, Greenwood Village, CO (US)
- (72) Inventor: **Suny Chung**, Anaheim, CA (US)
- (**) Term: **15 Years**
- (21) Appl. No.: **29/608,072**
- (22) Filed: **Jun. 19, 2017**
- (51) **LOC (11) Cl.** **12-16**
- (52) **U.S. Cl.**
USPC **D12/209**
- (58) **Field of Classification Search**
USPC D12/204–213; D21/533, 561, 563
CPC B60B 7/00; B60B 7/02; B60B 7/04; B60B 7/06; B60B 3/02; B60B 3/04; B60B 3/06; B60B 3/10; B60B 1/00; B60B 1/08; B60B 1/10; B60B 1/12
See application file for complete search history.

D492,925 S	7/2004	Fitzgerald	
D496,317 S	9/2004	Kataoka	
D499,684 S	12/2004	Cheng	
D502,438 S	3/2005	Weld	
D504,859 S	5/2005	Sulahian	
D505,374 S	* 5/2005	Aleman	D12/209
D510,307 S	* 10/2005	Howes	D12/209
D513,486 S	1/2006	Rivera	
D519,433 S	4/2006	Finn et al.	
D523,797 S	* 6/2006	Gallert	D12/209
D524,220 S	7/2006	Scheu	
D528,495 S	9/2006	Truebsbach	
D535,601 S	1/2007	Beigel et al.	
D538,726 S	3/2007	Wright	
D538,727 S	3/2007	Wright	
D542,209 S	5/2007	Pfeiffer	
D549,148 S	* 8/2007	Buschmann	D12/209
D550,600 S	9/2007	Celik	
D552,525 S	10/2007	Celik	
D553,068 S	10/2007	Celik	
D569,777 S	5/2008	Chung	
D576,093 S	9/2008	Chung	
D576,936 S	9/2008	Imai	
D577,650 S	9/2008	Chung	
D578,457 S	10/2008	Guidry	
D579,845 S	11/2008	Chung	

(Continued)

(56) **References Cited**
U.S. PATENT DOCUMENTS

D273,102 S	3/1984	Woodward	
D291,796 S	9/1987	Reid	
D361,975 S	9/1995	Weld	
5,676,430 A	10/1997	Wright et al.	
D391,216 S	* 2/1998	Bollmann	D12/209
D408,775 S	4/1999	Shikado	
D453,492 S	* 2/2002	Laengerer	D12/209
D453,724 S	2/2002	Hodges	
D455,698 S	4/2002	Chung	
D464,010 S	10/2002	Chung	
D467,212 S	12/2002	Noriega	
D470,094 S	2/2003	van Hooydonk	
D478,542 S	8/2003	Sulahian	
D480,036 S	9/2003	Laengerer	
D482,996 S	12/2003	Sulahian	

Primary Examiner — Sheryl L Lane
Assistant Examiner — Calvin E Vansant
(74) *Attorney, Agent, or Firm* — Eric Hanscom

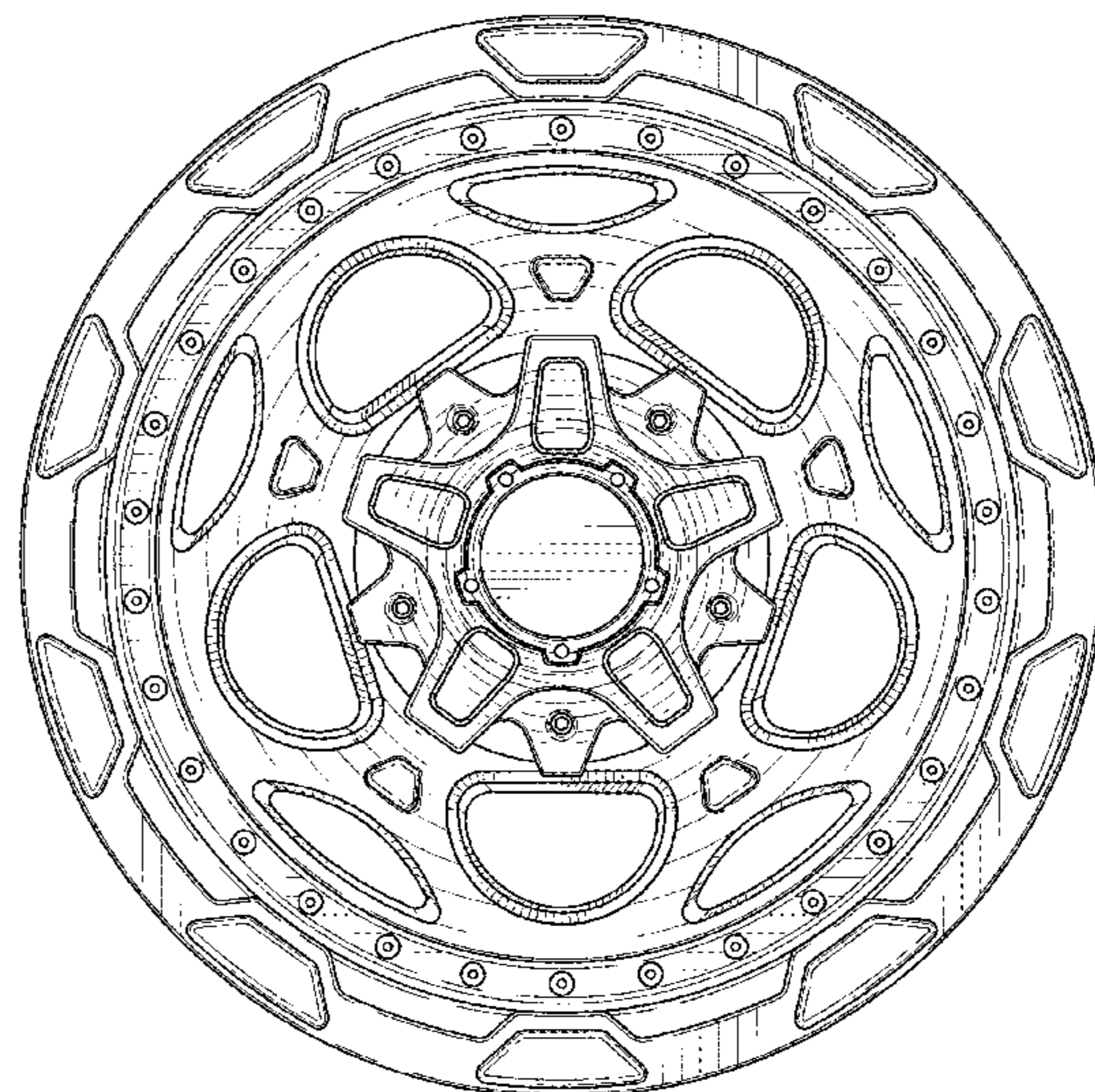
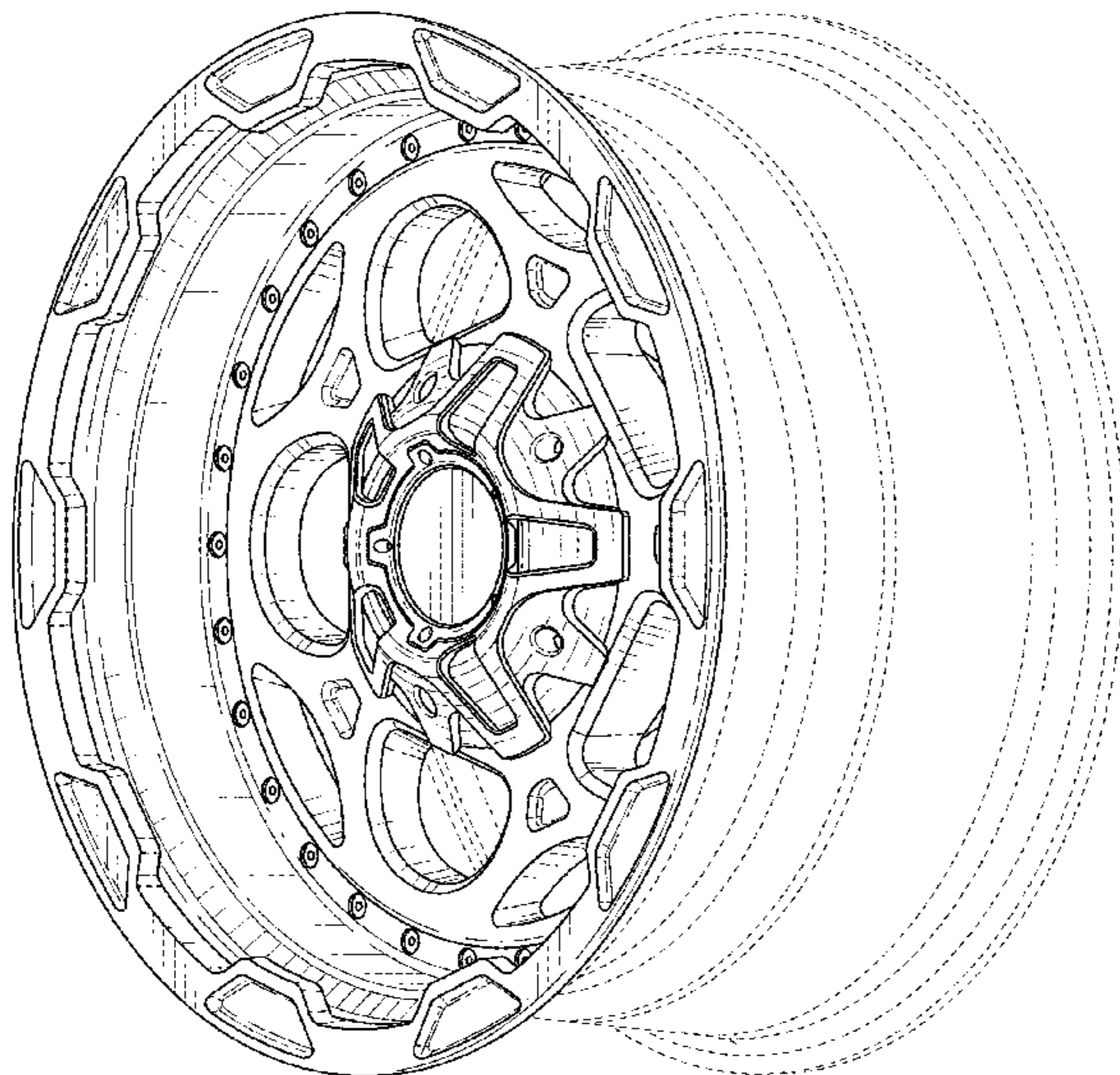
(57) **CLAIM**

The ornamental design for a wheel, as shown and described.

DESCRIPTION

FIG. 1 is a perspective view of a wheel showing my new design; and, FIG. 2 is a front view thereof. The broken lines depict portions of the wheel that form no part of the claim.

1 Claim, 2 Drawing Sheets



(56)

References Cited

U.S. PATENT DOCUMENTS

D582,827 S	12/2008	Musser		D713,316 S	9/2014	Song et al.	
D582,831 S	12/2008	Musser		D714,207 S	9/2014	Kim	
D583,290 S	12/2008	Wang		D714,705 S	10/2014	Kong	
D585,801 S	2/2009	Wang		D714,706 S	10/2014	Chung	
D596,099 S	7/2009	Chung		D715,211 S	10/2014	Gotschke	
D598,357 S	8/2009	Chung		D717,709 S	11/2014	Valencia Pollex	
D599,266 S	9/2009	Bierenbreier		D719,893 S	* 12/2014	Kim	D12/211
D612,316 S	3/2010	Sanschagrin et al.		D726,628 S	4/2015	Kong	
D613,659 S	4/2010	Cortes		D726,630 S	4/2015	Kong	
D617,723 S	6/2010	Zhao		D731,946 S	6/2015	Chung	
D619,073 S	7/2010	Groom		D733,027 S	6/2015	Chung	
D620,864 S	8/2010	Groom		D735,104 S	7/2015	Hodges	
D620,873 S	8/2010	Groom		D739,803 S	9/2015	Miansian	
D623,109 S	9/2010	Markefka		D742,293 S	11/2015	Chung	
D625,235 S	10/2010	Nissl		D748,556 S	2/2016	Valencia Pollex	
D627,697 S	11/2010	Wang		D749,030 S	2/2016	Zhao	
D635,903 S	4/2011	Zhang		D750,003 S	2/2016	Ahmad	
D638,767 S	5/2011	Groom		9,266,386 B2	2/2016	Wang	
D651,150 S	12/2011	Blewer		D751,017 S	* 3/2016	Chung	D12/209
D651,151 S	12/2011	Blewer		D753,046 S	4/2016	Liffick	
D654,007 S	2/2012	Nissl		D753,569 S	* 4/2016	Chung	D12/209
D654,420 S	2/2012	Guay et al.		D755,693 S	* 5/2016	Lee	D12/209
D660,771 S	5/2012	Mueller-Stolz		D755,694 S	5/2016	Valencia Pollex	
D666,960 S	9/2012	Chung		D756,282 S	* 5/2016	Zhao	D12/209
D669,009 S	10/2012	Chung		D756,287 S	5/2016	Koglin	
D680,938 S	4/2013	Hale, Jr.		D756,882 S	5/2016	Tirado	
D682,762 S	* 5/2013	Hale, Jr.	D12/209	D764,373 S	8/2016	Valencia Pollex	
D684,516 S	6/2013	Bennion		D765,002 S	* 8/2016	Hoste	D12/209
D686,961 S	* 7/2013	Chung	D12/209	D766,805 S	9/2016	Chung	
D695,193 S	12/2013	Kong		D769,166 S	10/2016	Juergens	
D698,298 S	1/2014	Cortes		D769,785 S	10/2016	Wells	
D698,300 S	1/2014	Chung		D770,960 S	11/2016	Svensson	
D702,172 S	4/2014	Chung		D775,578 S	1/2017	Johnson	
D704,116 S	* 5/2014	Chung	D12/209	D780,655 S	3/2017	Trim	
D704,117 S	* 5/2014	Chung	D12/209	D781,201 S	* 3/2017	Ninov	D12/209
D704,617 S	5/2014	Chung		D787,407 S	* 5/2017	Chung	D12/211
D706,197 S	6/2014	Chung		D787,412 S	* 5/2017	Alfonso	D12/211
D707,167 S	6/2014	Chung		D792,308 S	* 7/2017	Guo	D12/209
D709,020 S	7/2014	Chung		D793,318 S	* 8/2017	Guo	D12/209
D711,304 S	8/2014	Chung		D800,630 S	* 10/2017	Tran	D12/209
D712,330 S	* 9/2014	Chung	D12/209	D803,133 S	* 11/2017	Bucher	D12/209
				D803,763 S	* 11/2017	Sempek	D12/409
				D805,455 S	* 12/2017	Kong	D12/209

* cited by examiner

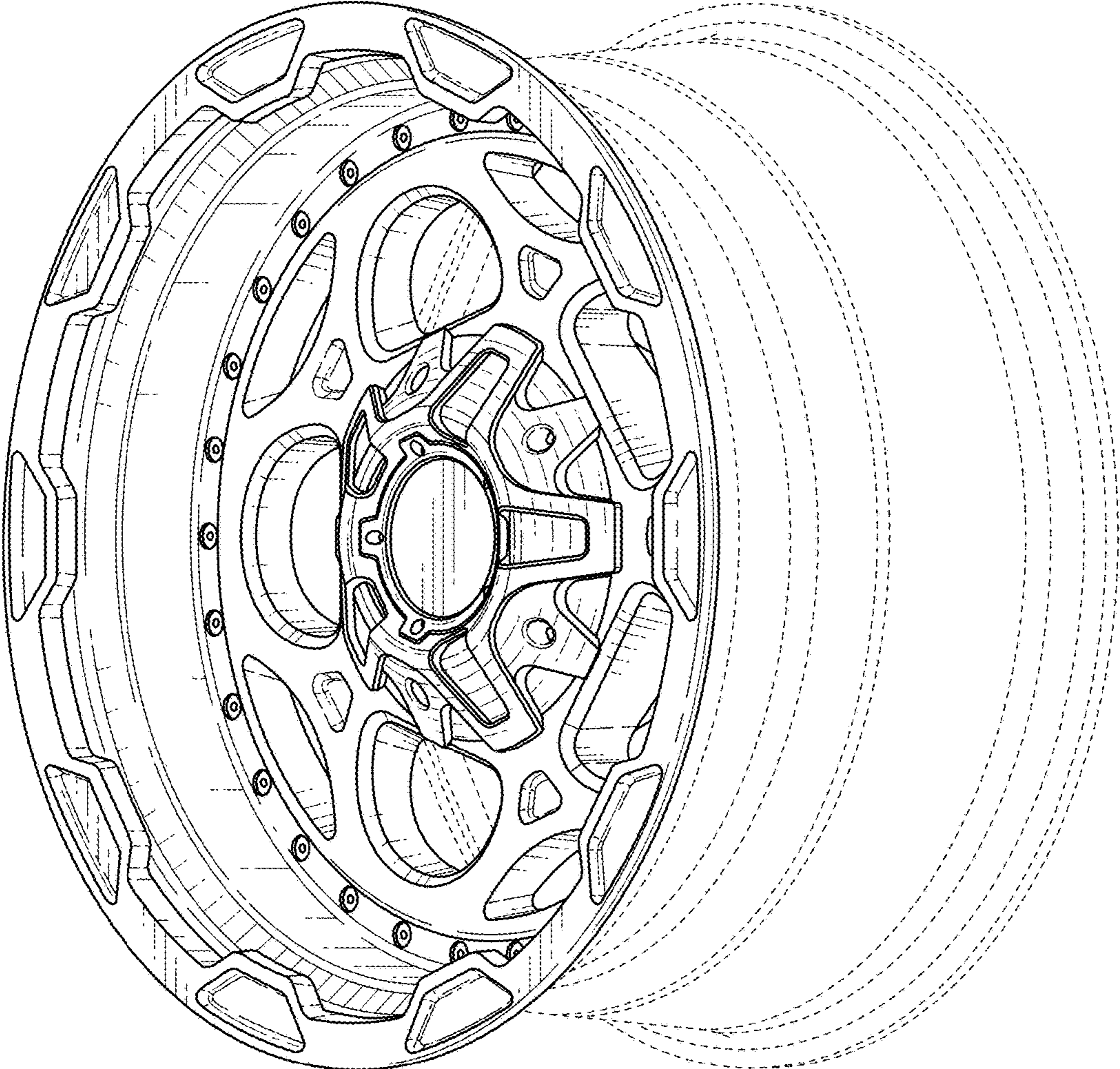


FIG. 1

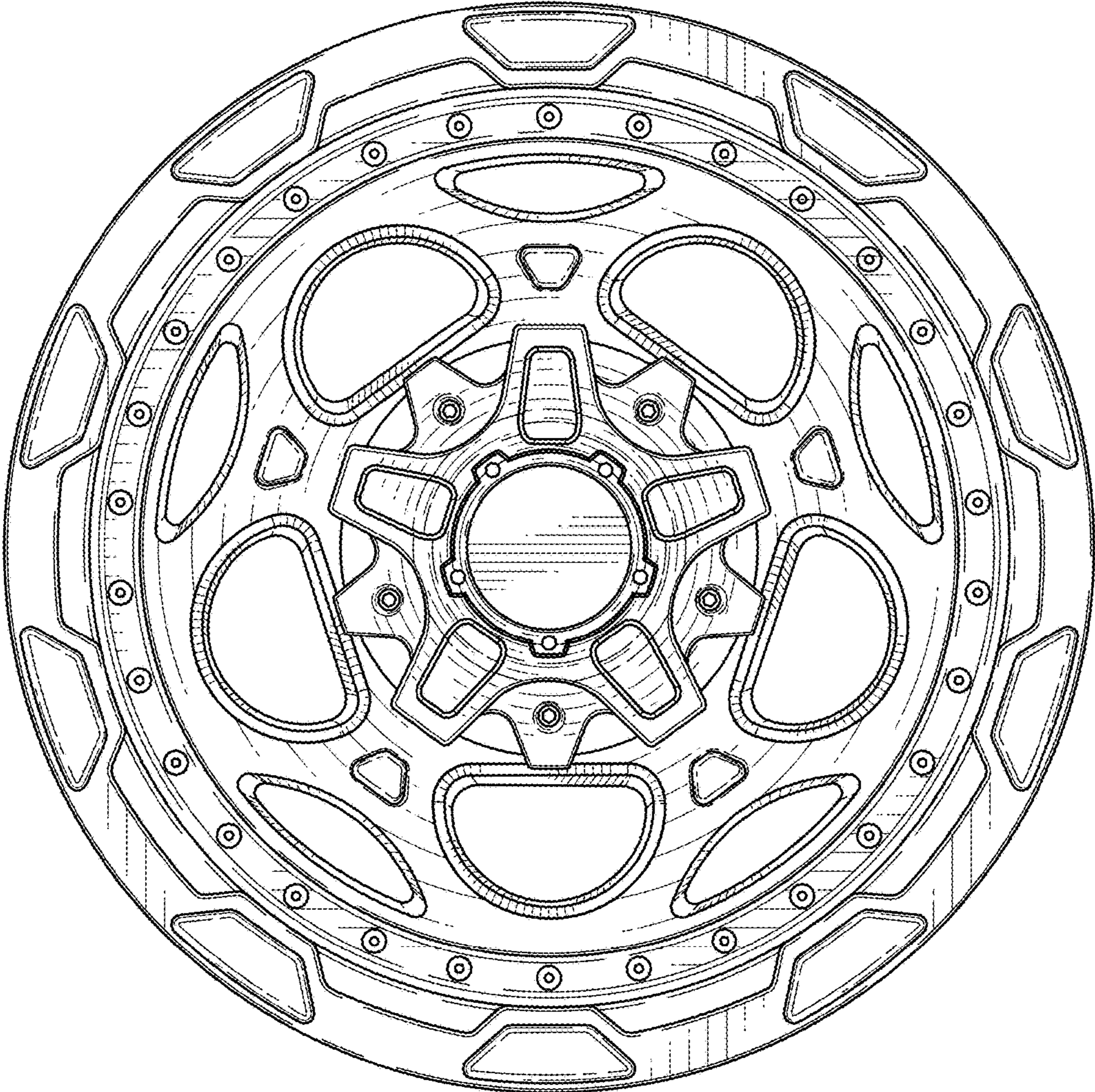


FIG. 2