



US00D822572S

(12) **United States Design Patent**  
**Smith**

(10) **Patent No.:** **US D822,572 S**  
(45) **Date of Patent:** **\*\* Jul. 10, 2018**

- (54) **WHEEL**
- (71) Applicant: **Jaguar Land Rover Limited**, Whitley, Coventry (GB)
- (72) Inventor: **Luke Smith**, Coventry (GB)
- (73) Assignee: **Jaguar Land Rover Limited**, Whitley, Coventry (GB)
- (\*\*) Term: **15 Years**
- (21) Appl. No.: **29/596,379**
- (22) Filed: **Mar. 8, 2017**

|              |         |            |       |         |
|--------------|---------|------------|-------|---------|
| D626,052 S * | 10/2010 | Majdandzic | ..... | D12/209 |
| D656,443 S * | 3/2012  | Fetherston | ..... | D12/209 |
| D673,096 S * | 12/2012 | Platto     | ..... | D12/209 |
| D697,004 S * | 1/2014  | Pollmann   | ..... | D12/209 |
| D713,314 S * | 9/2014  | Platto     | ..... | D12/209 |
| D735,630 S * | 8/2015  | Swaneger   | ..... | D12/209 |
| D753,043 S * | 4/2016  | Pollmann   | ..... | D12/209 |
| D766,153 S * | 9/2016  | Wheel      | ..... | D12/209 |
| D783,494 S * | 4/2017  | Macey      | ..... | D12/209 |
| D784,233 S * | 4/2017  | Hejtmanek  | ..... | D12/209 |
| D788,675 S * | 6/2017  | Kippes     | ..... | D12/209 |
| D792,316 S * | 7/2017  | Groth      | ..... | D12/211 |
| D793,937 S * | 8/2017  | Buck       | ..... | D12/209 |
| D797,634 S * | 9/2017  | Baccari    | ..... | D12/209 |
| D797,635 S * | 9/2017  | Rueckheim  | ..... | D12/209 |
| D801,250 S * | 10/2017 | Chung      | ..... | D12/209 |
| D805,988 S * | 12/2017 | Buck       | ..... | D12/209 |
| D808,323 S * | 1/2018  | Buck       | ..... | D12/209 |

(30) **Foreign Application Priority Data**

Sep. 16, 2016 (EM) ..... 003381656-0001

(51) **LOC (11) Cl.** ..... **12-16**

(52) **U.S. Cl.**  
USPC ..... **D12/209**

(58) **Field of Classification Search**  
USPC ..... D12/204-213; D21/563  
CPC .... B60B 7/00; B60B 7/02; B60B 7/04; B60B 7/06; B60B 3/02; B60B 3/04; B60B 3/06; B60B 3/10; B60B 1/00; B60B 1/08; B60B 1/10; B60B 1/12  
See application file for complete search history.

(56) **References Cited**

**U.S. PATENT DOCUMENTS**

|              |        |          |       |         |
|--------------|--------|----------|-------|---------|
| D517,968 S * | 3/2006 | Morioka  | ..... | D12/209 |
| D560,585 S * | 1/2008 | Blasi    | ..... | D12/209 |
| D617,243 S * | 6/2010 | Juergens | ..... | D12/209 |

\* cited by examiner

*Primary Examiner* — Sheryl Lane

*Assistant Examiner* — Calvin E Vansant

(74) *Attorney, Agent, or Firm* — Wood Herron & Evans LLP

(57) **CLAIM**

The ornamental design for a wheel, as shown and described.

**DESCRIPTION**

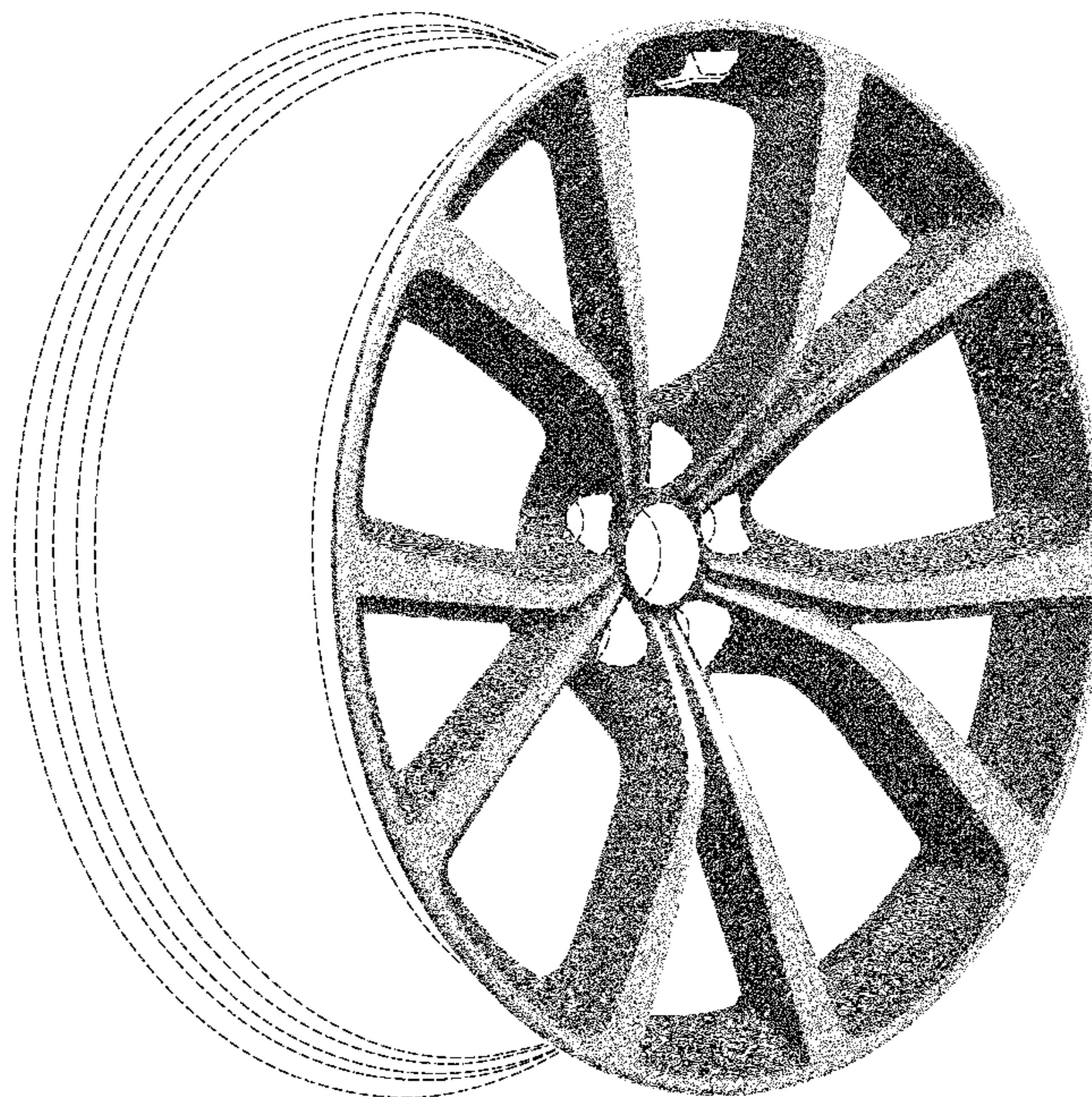
FIG. 1 is a front left perspective view of a wheel for a vehicle according to the present invention.

FIG. 2 is a front view thereof; and,

FIG. 3 is a left side view thereof, the right side being a mirror image thereof.

The broken lines depict portions of the wheel that form no part of the claim.

**1 Claim, 2 Drawing Sheets**



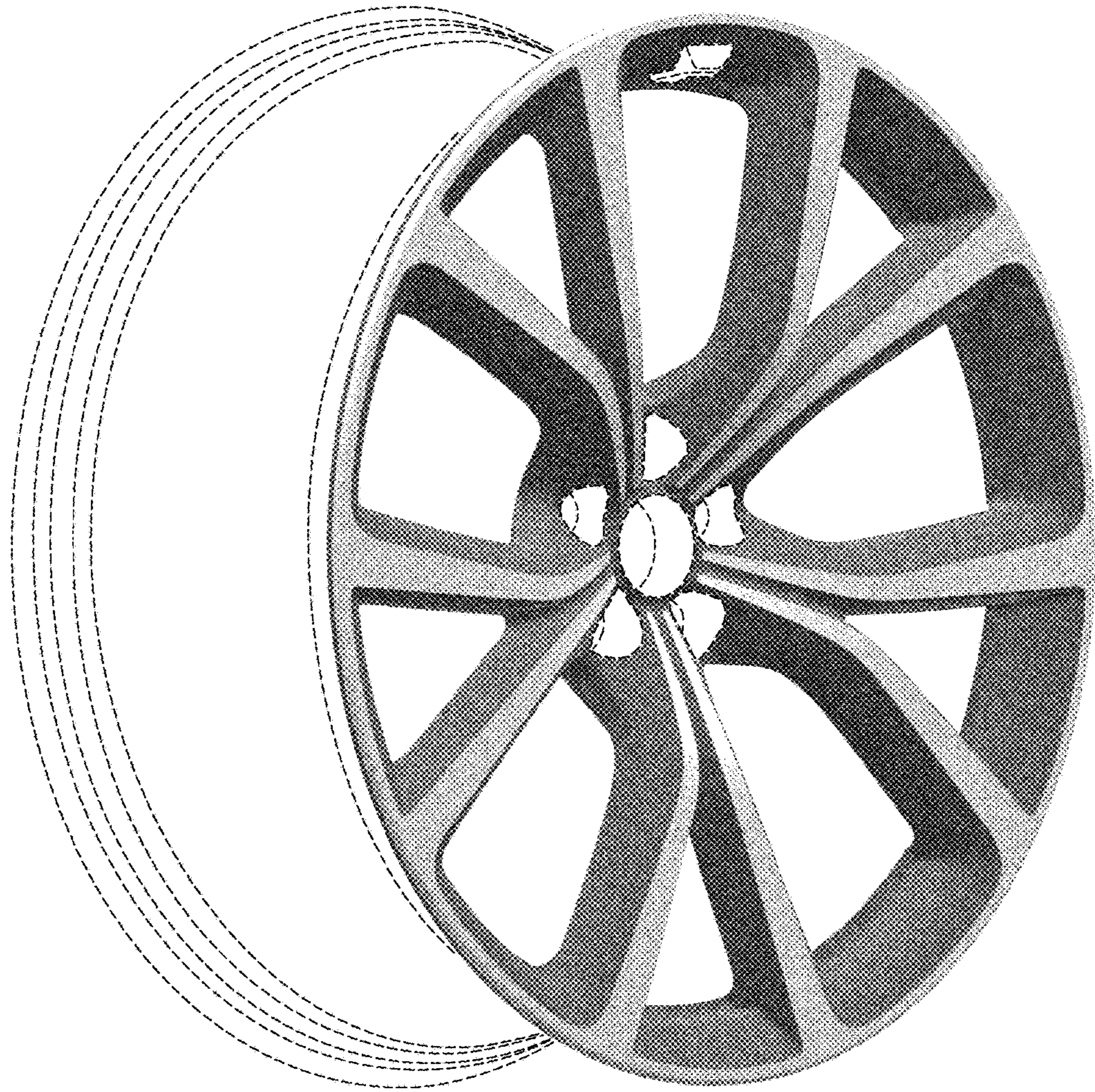


FIG. 1

