



US00D822569S

(12) **United States Design Patent** (10) **Patent No.:** **US D822,569 S**  
**Choi et al.** (45) **Date of Patent:** **\*\* Jul. 10, 2018**

(54) **DOOR FOR VEHICLES**

(71) Applicant: **HYUNDAI MOTOR COMPANY,**  
Seoul (KR)

(72) Inventors: **Seung-II Choi,** Seoul (KR); **Jun-Ho Kim,** Uiwang-si (KR)

(\*\*) Term: **15 Years**

(21) Appl. No.: **35/502,532**

(22) Filed: **Jan. 5, 2017**

(80) **Hague Agreement Data**

Int. Filing Date: **Jan. 5, 2017**

Int. Reg. No.: **DM/094832**

Int. Reg. Date: **Jan. 5, 2017**

Int. Reg. Pub. Date: **Mar. 3, 2017**

(30) **Foreign Application Priority Data**

Oct. 10, 2016 (KR) ..... 30-2016-0049299

(51) **LOC (11) Cl.** ..... **12-16**

(52) **U.S. Cl.**  
USPC ..... **D12/196**

(58) **Field of Classification Search**  
USPC ..... D12/90-92, 181, 184, 196, 400  
CPC ..... B60J 5/04; B60J 5/0401; B60J 5/0412;  
B60R 13/04; B60R 19/54; B62D 24/00;  
B62D 25/00; B62D 25/02; B62D 25/04;  
B62D 25/18; B62D 25/184  
See application file for complete search history.

(56) **References Cited**

U.S. PATENT DOCUMENTS

D686,553 S *	7/2013	Kwon .....	D12/196
D770,955 S *	11/2016	Bae .....	D12/196
D772,758 S *	11/2016	Frascella .....	D12/92
D779,407 S *	2/2017	Bae .....	D12/196
D784,888 S *	4/2017	Lim .....	D12/196
D785,530 S *	5/2017	Kyung .....	D12/196
D797,630 S *	9/2017	Faghihzadeh .....	D12/196
D801,247 S *	10/2017	Lee .....	D12/196
D803,122 S *	11/2017	Granlund .....	D12/196

\* cited by examiner

*Primary Examiner* — Michael A. Pratt

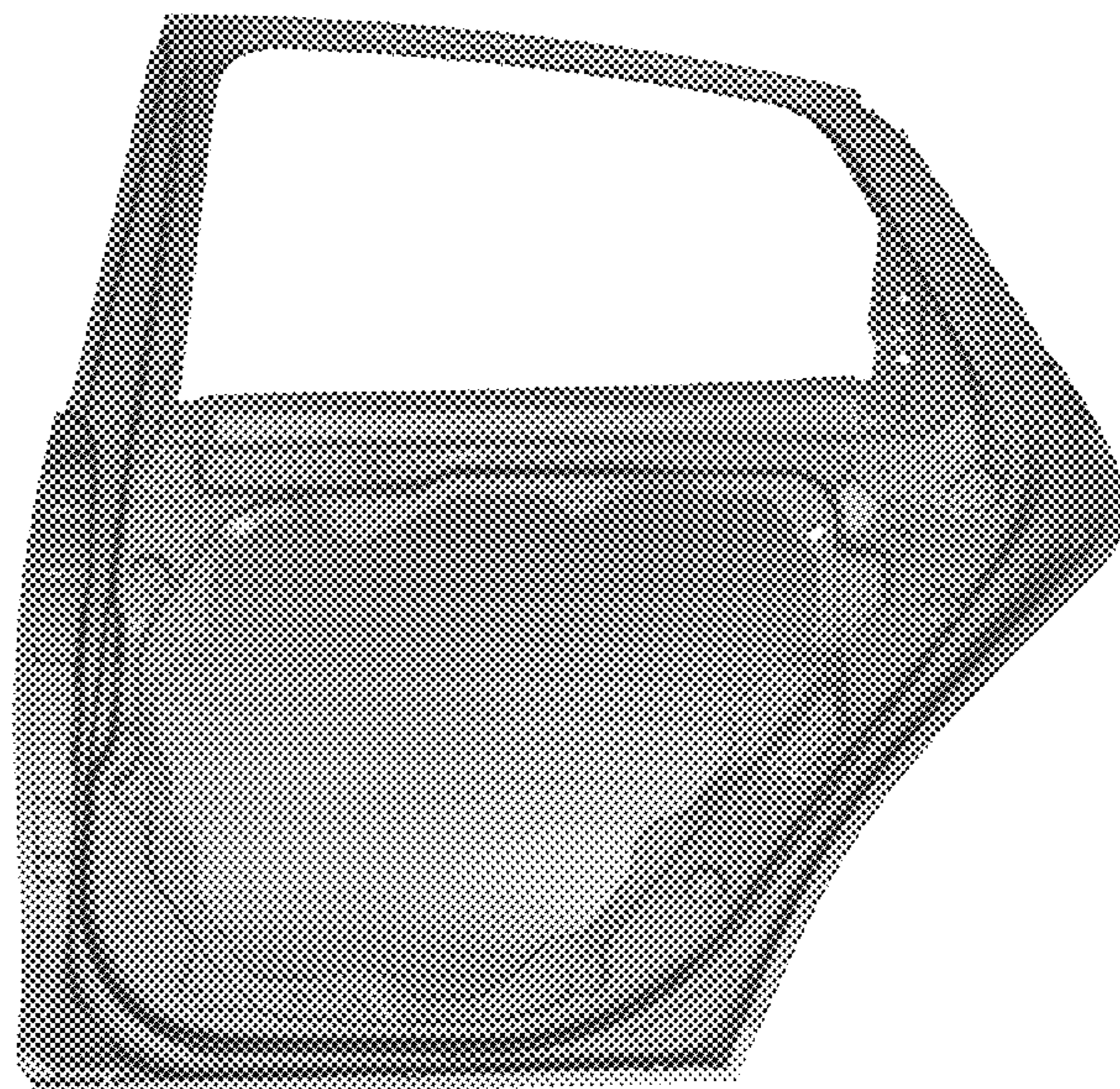
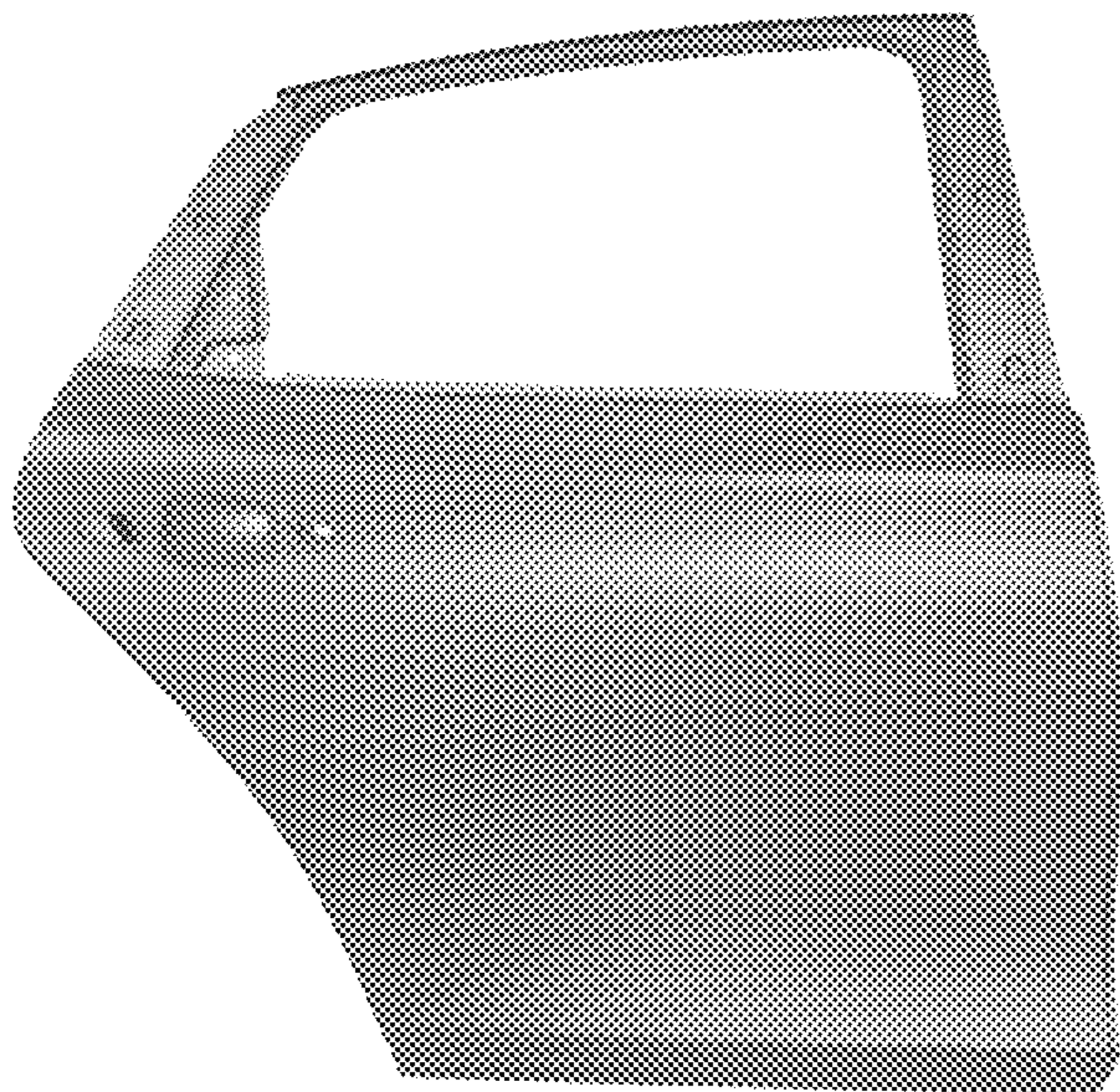
(57) **CLAIM**

The ornamental design for a door for vehicles, as shown and described.

**DESCRIPTION**

- 1. Door for vehicles
- 1.1 : Perspective
- 1.2 : Front
- 1.3 : Back
- 1.4 : Left
- 1.5 : Right
- 1.6 : Top
- 1.7 : Bottom

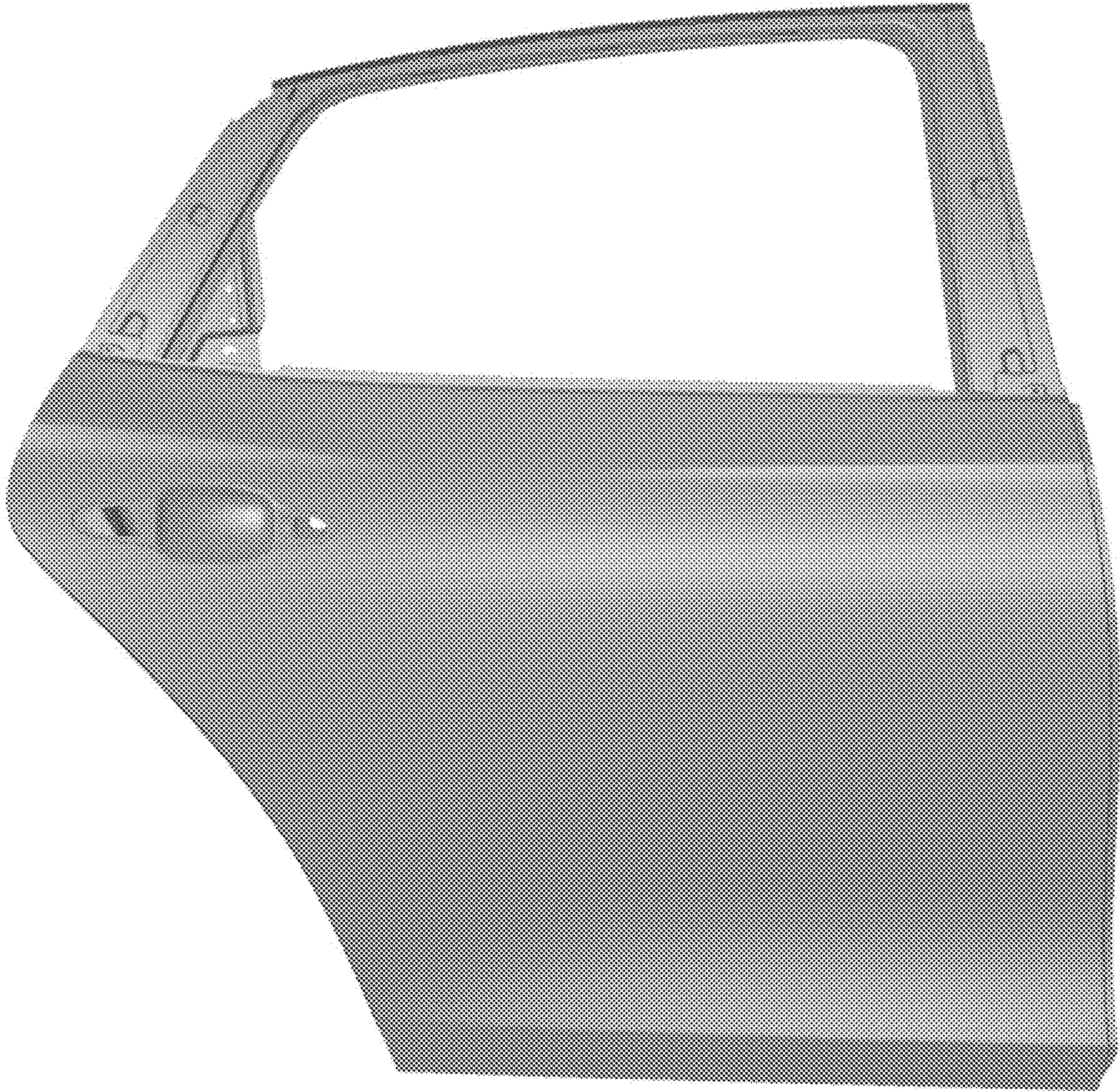
**1 Claim, 7 Drawing Sheets**



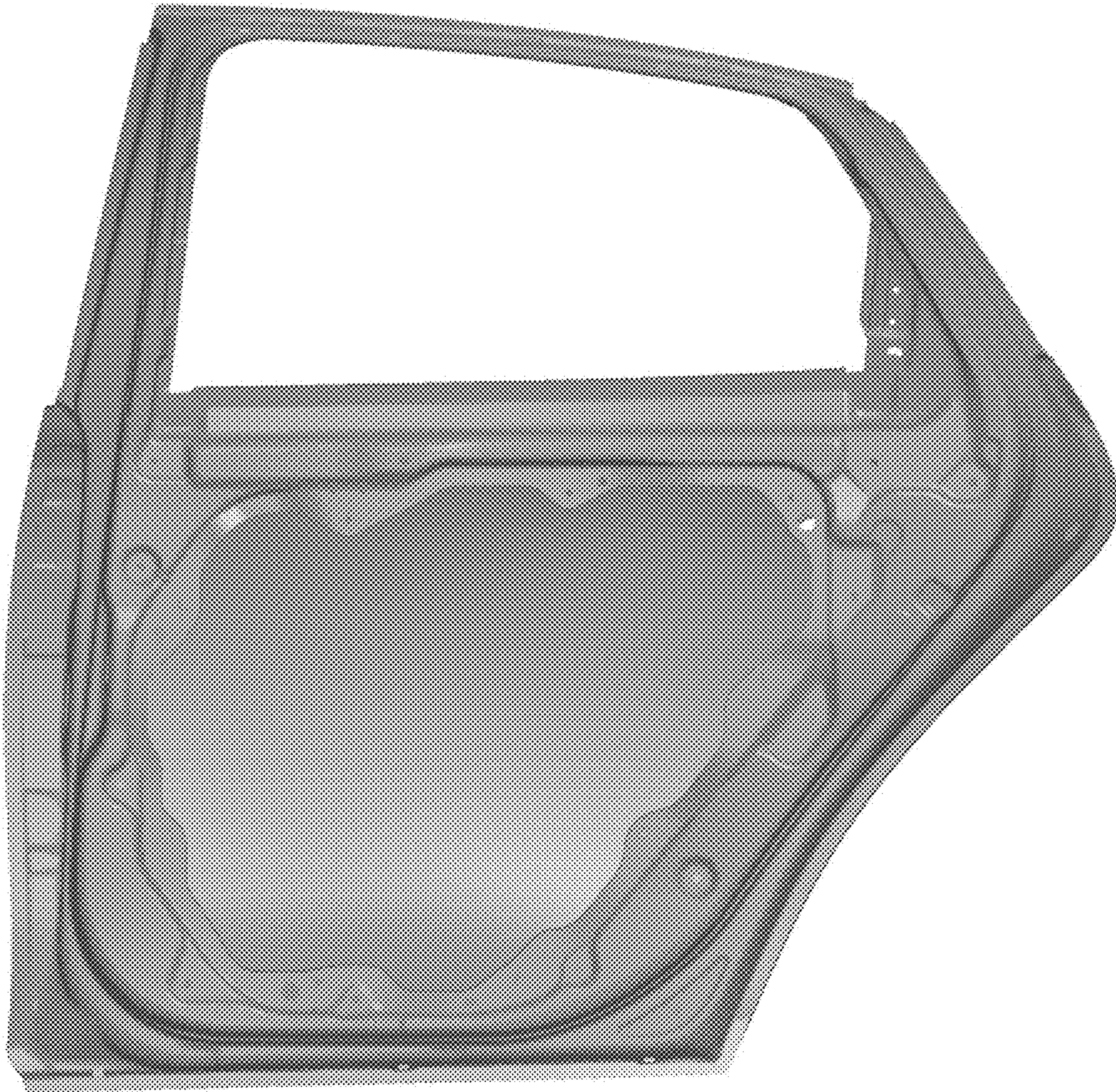
1.1



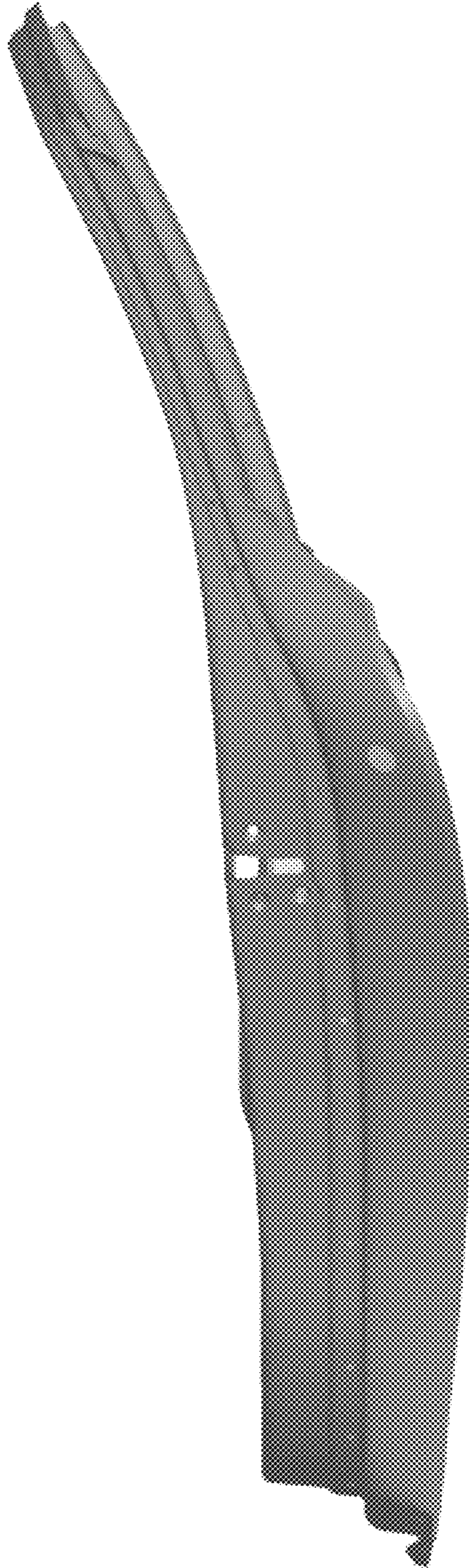
1.2



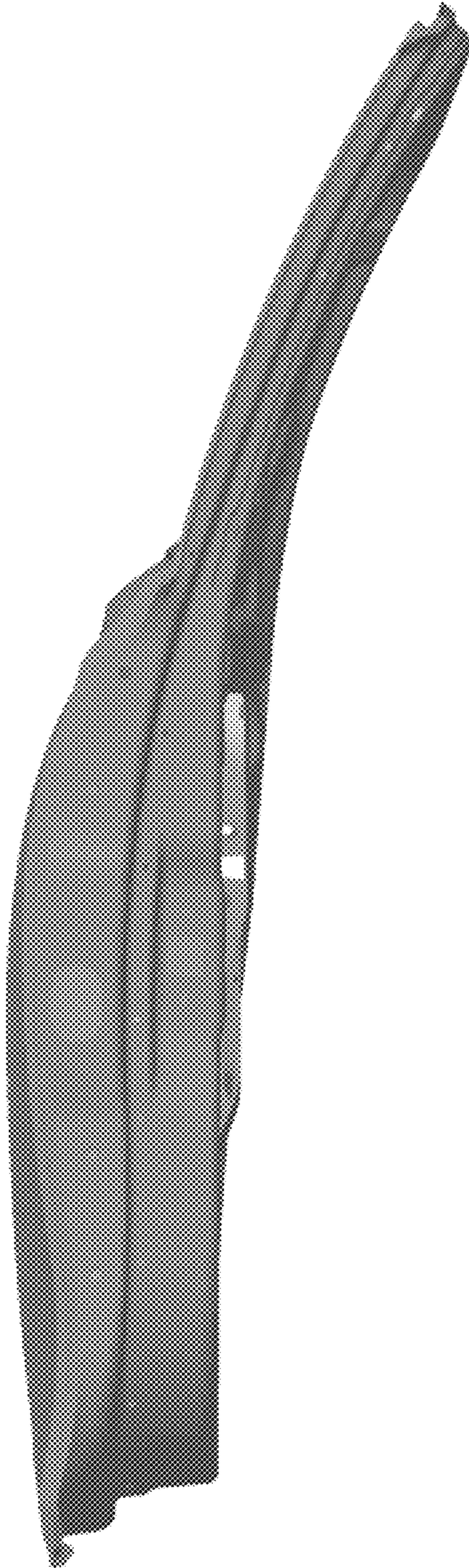
1.3



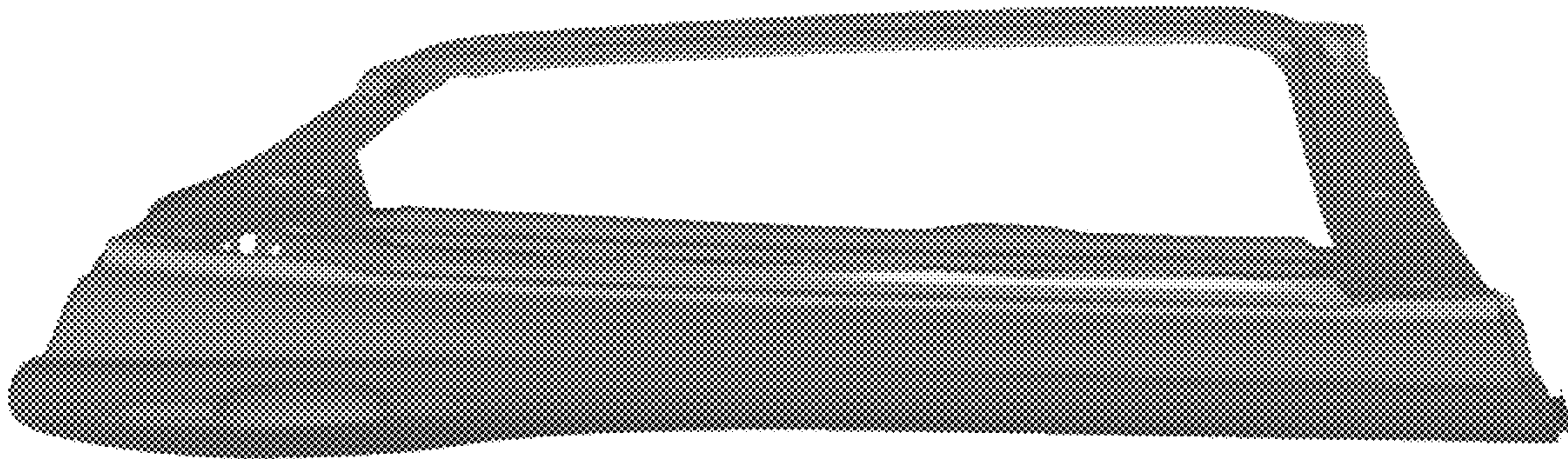
1.4



1.5



1.6



1.7

