



US00D822567S

(12) **United States Design Patent**  
**Simm**

(10) **Patent No.:** **US D822,567 S**

(45) **Date of Patent:** **\*\* Jul. 10, 2018**

- (54) **DOOR FOR A VEHICLE**
- (71) Applicant: **Bayerische Motoren Werke Aktiengesellschaft, Munich (DE)**
- (72) Inventor: **Sebastian Simm, Munich (DE)**
- (73) Assignee: **Bayerische Motoren Werke Aktiengesellschaft, Munich (DE)**

D720,257 S *	12/2014	Suga .....	D12/91
D763,156 S *	8/2016	Jo .....	D12/196
D776,593 S *	1/2017	Schneider .....	D12/196
D779,407 S *	2/2017	Bae .....	D12/196
D784,888 S *	4/2017	Lim .....	D12/196
D785,530 S *	5/2017	Kyung .....	D12/196
D786,763 S *	5/2017	Park .....	D12/196
D787,402 S *	5/2017	Luk .....	D12/196
9,649,915 B2 *	5/2017	Inai .....	B60J 1/17
D801,247 S *	10/2017	Lee .....	D12/196
D803,122 S *	11/2017	Granlund .....	D12/196

(\*\*) Term: **15 Years**

(21) Appl. No.: **29/594,689**

(22) Filed: **Feb. 22, 2017**

(30) **Foreign Application Priority Data**

Aug. 23, 2016 (DE) ..... 40 2016 101 022

(51) **LOC (11) Cl.** ..... **12-16**

(52) **U.S. Cl.**  
USPC ..... **D12/196**

(58) **Field of Classification Search**  
USPC ..... D12/86, 88, 90, 91, 92, 196, 400;  
280/727, 847, 848; 296/181.1, 181.5,  
296/146.5; D21/424, 433, 434  
CPC ..... B60J 5/04; B60J 5/0412; B60J 1/17; B60J  
5/0401; B62D 25/00  
See application file for complete search history.

(56) **References Cited**

**U.S. PATENT DOCUMENTS**

D580,331 S *	11/2008	Gueler .....	D12/196
D678,154 S *	3/2013	Musk .....	296/146.9
D699,654 S *	2/2014	Okue .....	D12/196
D701,809 S *	4/2014	Hildebrand .....	D12/196

**FOREIGN PATENT DOCUMENTS**

WO WO DM/073061 8/2010

\* cited by examiner

*Primary Examiner* — Ian Simmons

*Assistant Examiner* — Yolanda Robinson

(74) *Attorney, Agent, or Firm* — Crowell & Moring LLP

(57) **CLAIM**

The ornamental design for a door for a vehicle, as shown and described.

**DESCRIPTION**

FIG. 1 is a front view of a door for a vehicle according to the design;  
FIG. 2 is a left perspective view thereof;  
FIG. 3 is a right perspective view thereof;  
FIG. 4 is a left side view thereof;  
FIG. 5 is a right side view thereof;  
FIG. 6 is a top view thereof;  
FIG. 7 is a bottom view thereof; and,  
FIG. 8 is a rear view thereof.

**1 Claim, 8 Drawing Sheets**

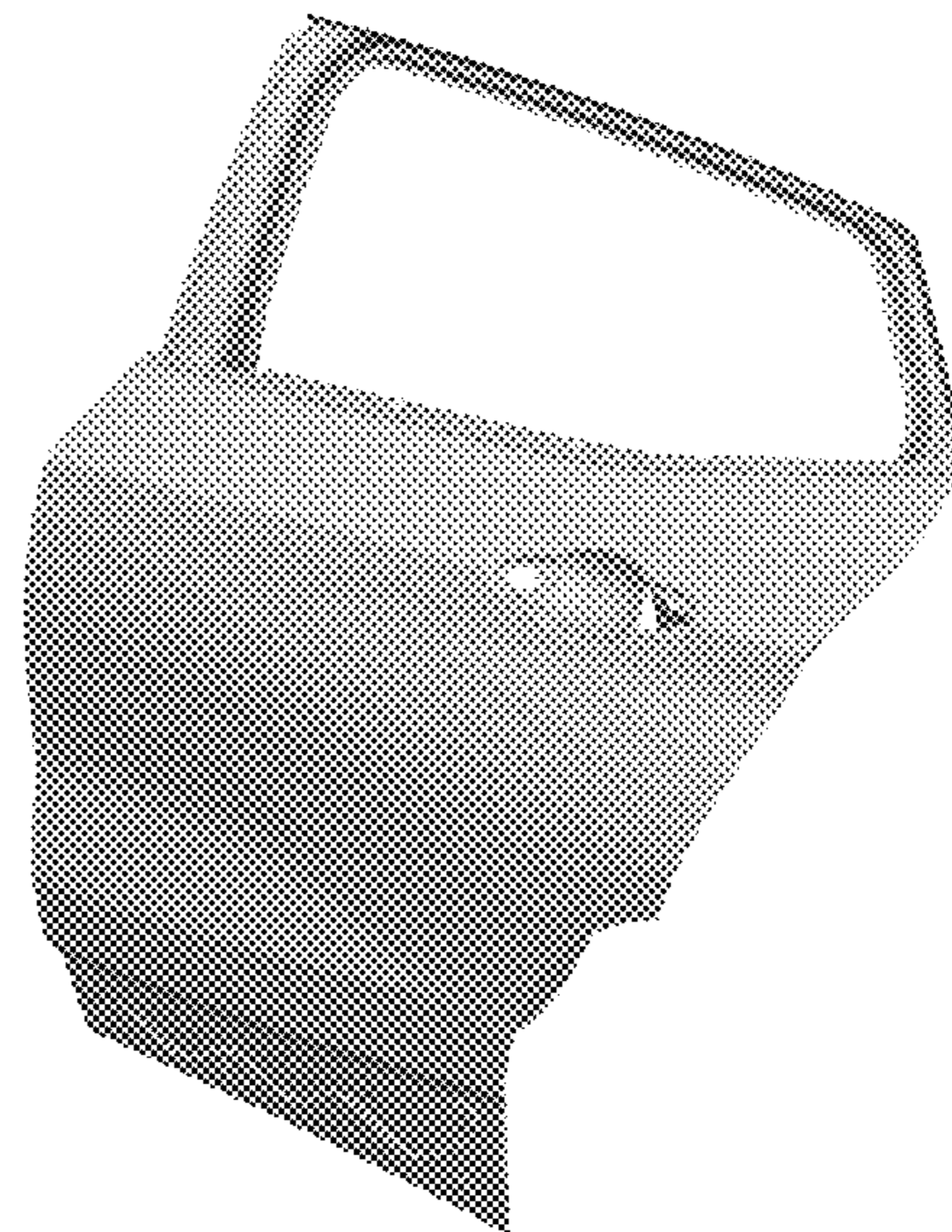




Fig. 1



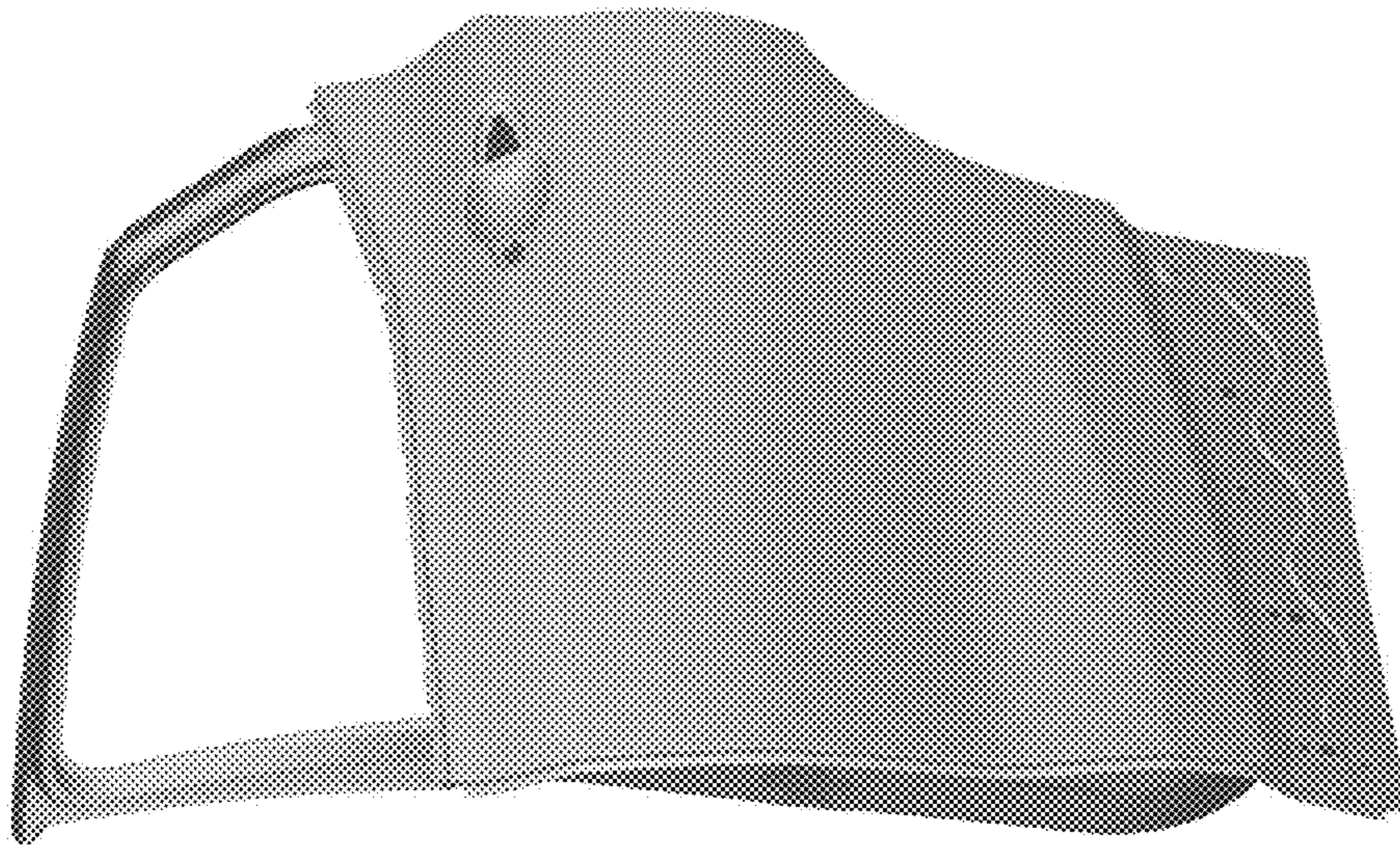


Fig. 2

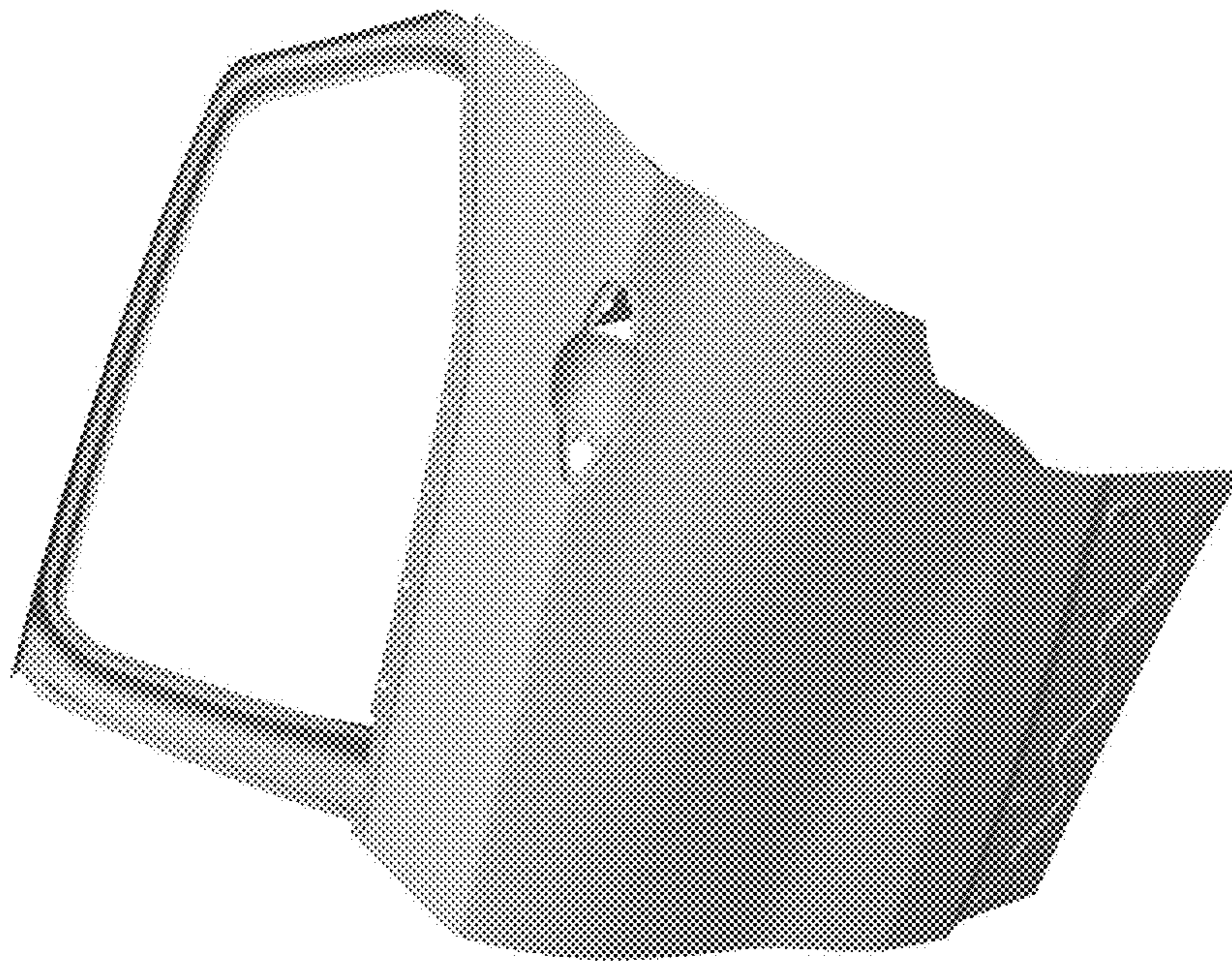


Fig. 3



Fig. 4

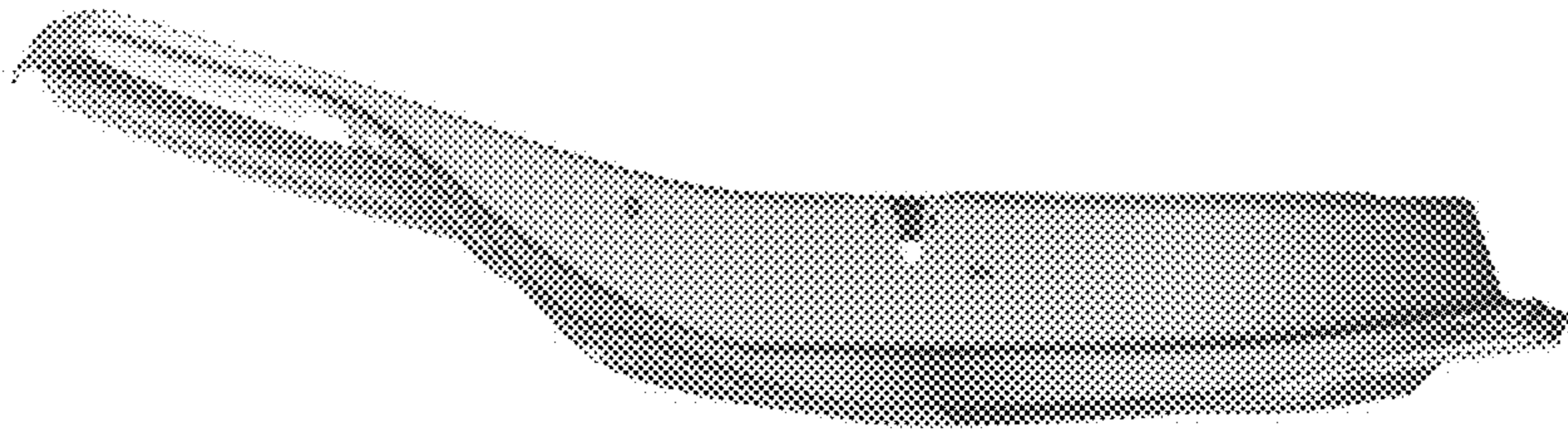


Fig. 5



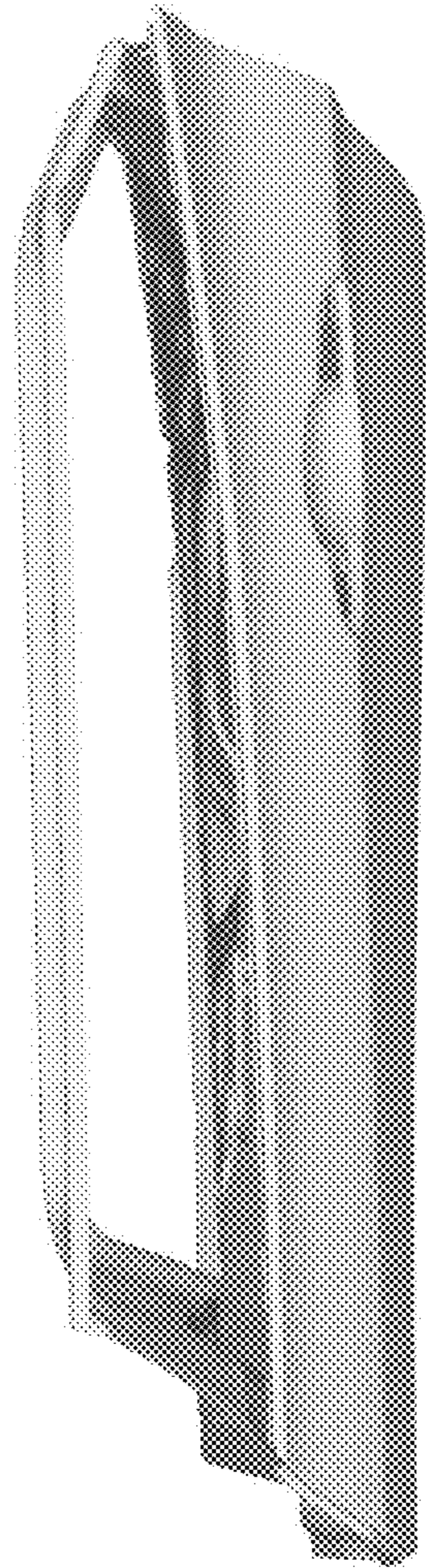


Fig. 6

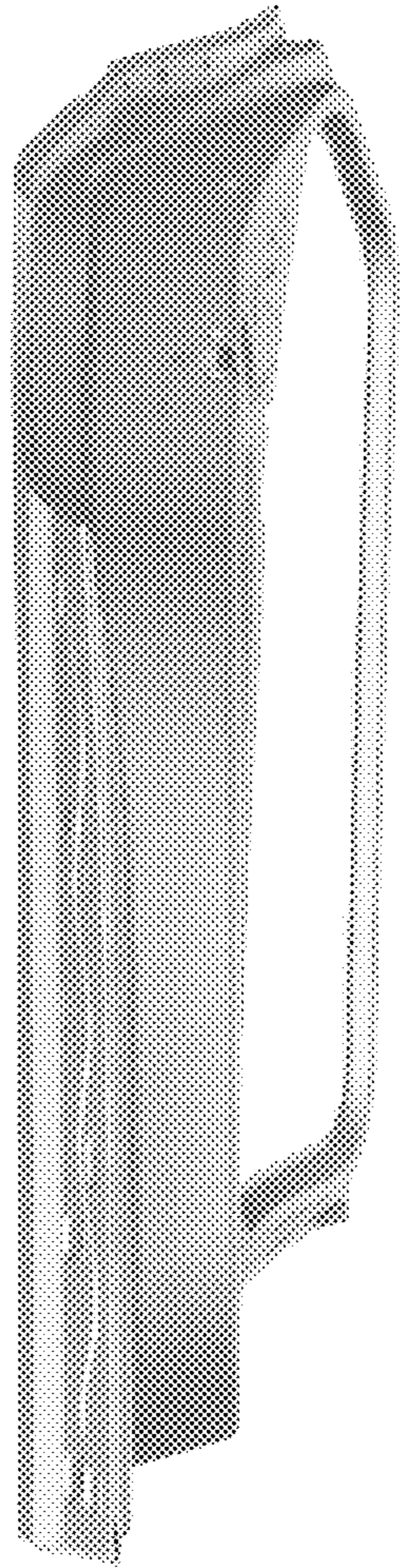


Fig. 7



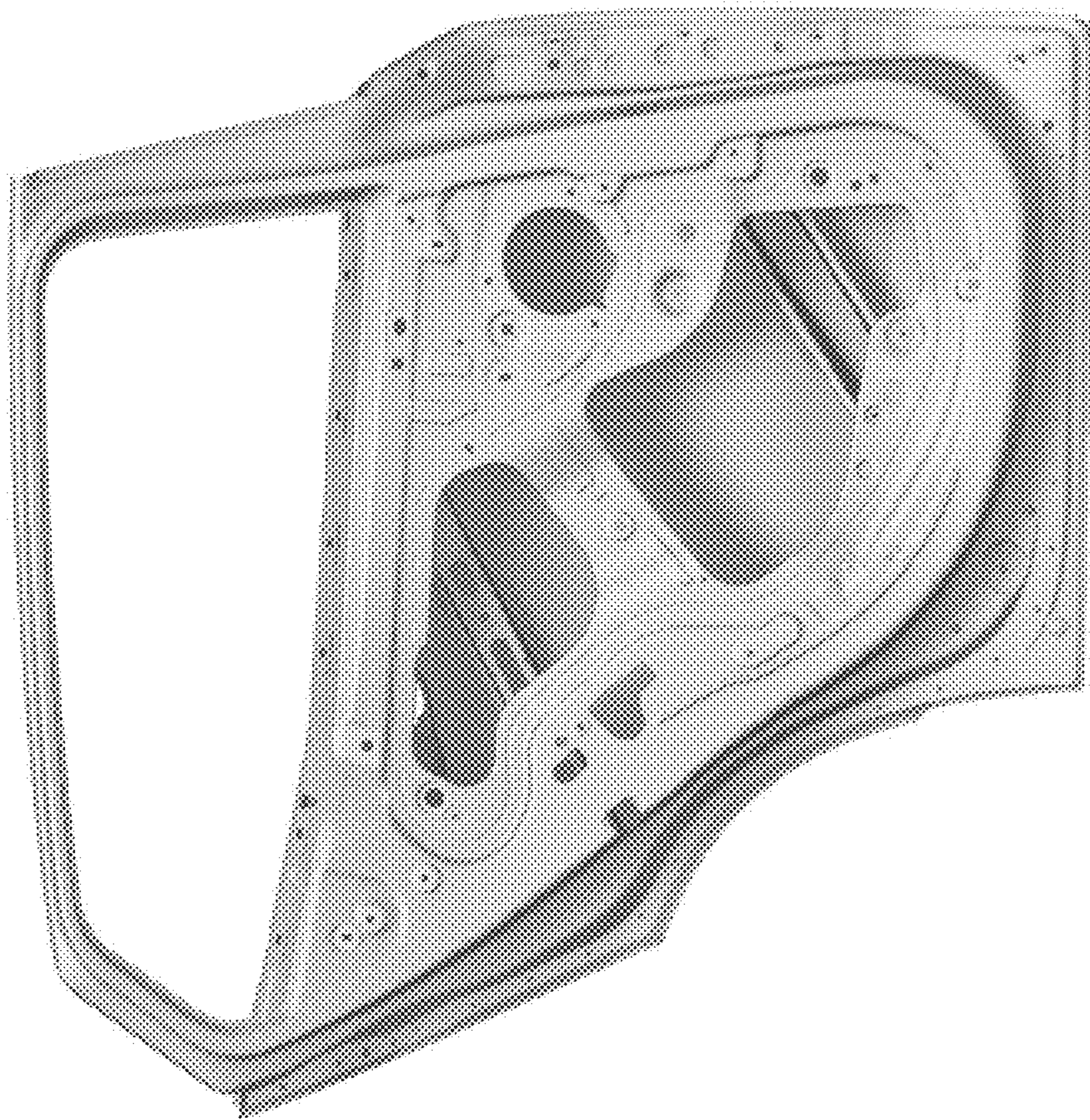


Fig. 8