



US00D822566S

(12) **United States Design Patent**
Parnell

(10) **Patent No.:** **US D822,566 S**
(45) **Date of Patent:** **** Jul. 10, 2018**

(54) **ATTACHABLE EXTERNAL VEHICLE SIGN**

9,916,779 B1 * 3/2018 Parnell G09F 13/0413
2007/0258262 A1 11/2007 Hanyon
2016/0207478 A1 7/2016 Georgiadis

(71) Applicant: **Sherry Parnell**, Brandywine, MD (US)

(72) Inventor: **Sherry Parnell**, Brandywine, MD (US)

(**) Term: **15 Years**

(21) Appl. No.: **29/616,632**

(22) Filed: **Sep. 7, 2017**

(51) **LOC (11) Cl.** **12-16**

(52) **U.S. Cl.**
USPC **D12/193**

(58) **Field of Classification Search**
USPC D12/193; D6/300, 301, 302, 310, 311,
D6/312, 313, 314; D20/13
CPC B60R 13/10; B60R 13/105; B60R 19/24;
B60R 19/52

See application file for complete search history.

(56) **References Cited**

U.S. PATENT DOCUMENTS

D245,497 S *	8/1977	Ritch	D12/193
5,027,537 A	7/1991	Freeman		
D370,450 S *	6/1996	Doan	D12/193
D412,876 S *	8/1999	Crecelius	D12/193
6,324,778 B1 *	12/2001	Gall	B60R 13/10 40/200
6,796,060 B1	9/2004	Meester		
D566,024 S *	4/2008	Pacleb	D12/193
D599,726 S *	9/2009	Pacleb	D12/193
8,544,198 B2	10/2013	Iverson		
9,015,972 B1	4/2015	Morgan		
9,141,973 B2	9/2015	Mendoza		
9,483,777 B2	11/2016	Sarangi		
D773,365 S *	12/2016	Starke	D12/193
9,586,538 B2 *	3/2017	Fontayne	B60R 13/105
D802,506 S *	11/2017	Bargen	D12/193
D813,129 S *	3/2018	Hoffheinz	D12/193

FOREIGN PATENT DOCUMENTS

WO WO2011013113 2/2011

* cited by examiner

Primary Examiner — George D. Kirschbaum

Assistant Examiner — Natasha Vujcic

(74) *Attorney, Agent, or Firm* — Goldstein Law Offices, P.C.

(57) **CLAIM**

The ornamental design for an attachable external vehicle sign, as shown and described.

DESCRIPTION

FIG. 1 is a perspective view of the attachable external vehicle sign, shown with environment.

FIG. 2 is a front elevational view of the attachable external vehicle sign, shown with environment.

FIG. 3 is a rear elevational view of the attachable external vehicle sign.

FIG. 4 is a right side elevational view thereof.

FIG. 5 is a left side elevational view thereof.

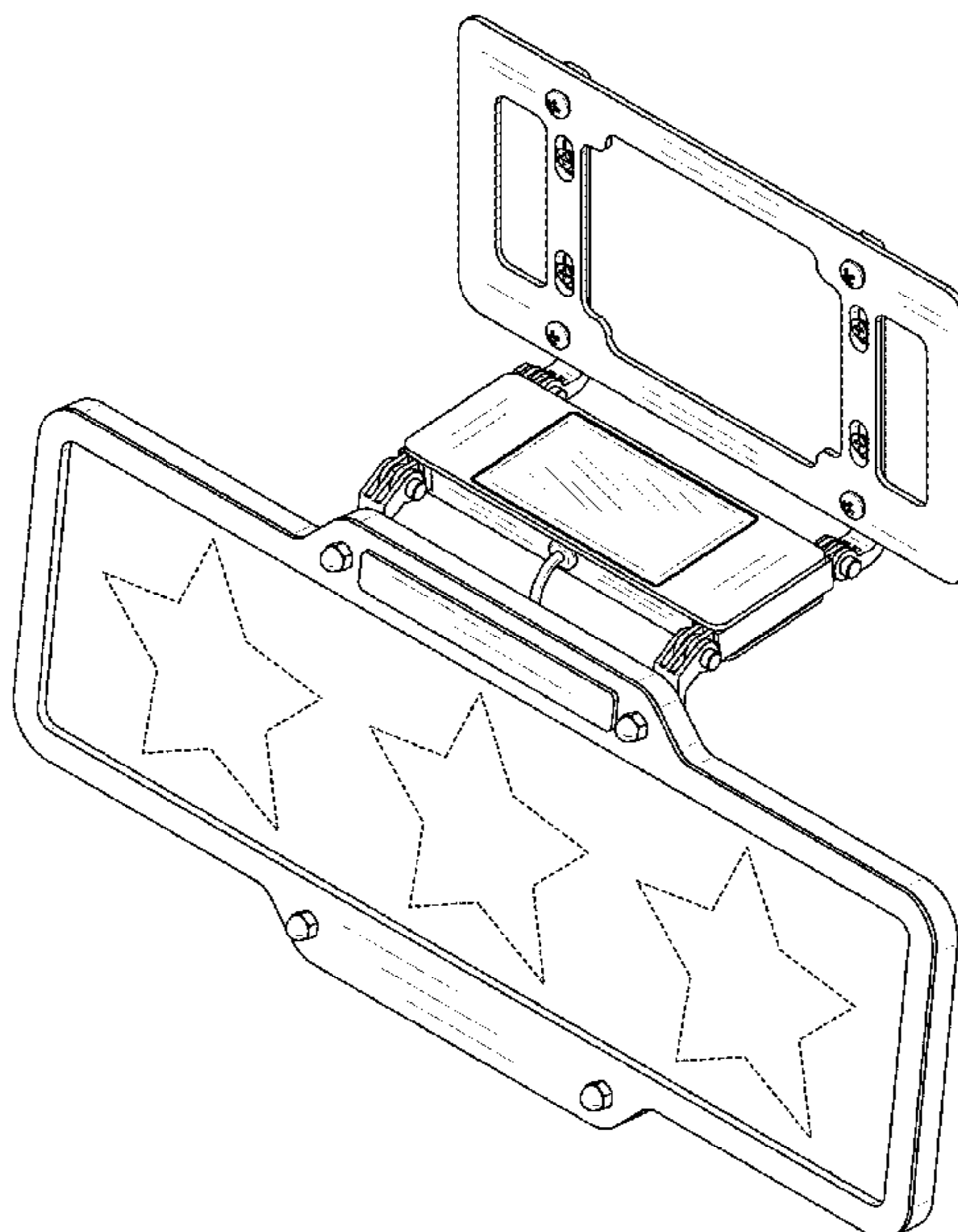
FIG. 6 is a top plan view of the attachable external vehicle sign, with environment.

FIG. 7 is a bottom plan view of the attachable external vehicle sign; and,

FIG. 8 is a second perspective view of the attachable external vehicle sign, shown with environment.

The broken lines showing in FIGS. 1, 2, 6, and 8, are for the purpose of illustrating the environment of the article only and form no part of the claimed design.

1 Claim, 5 Drawing Sheets



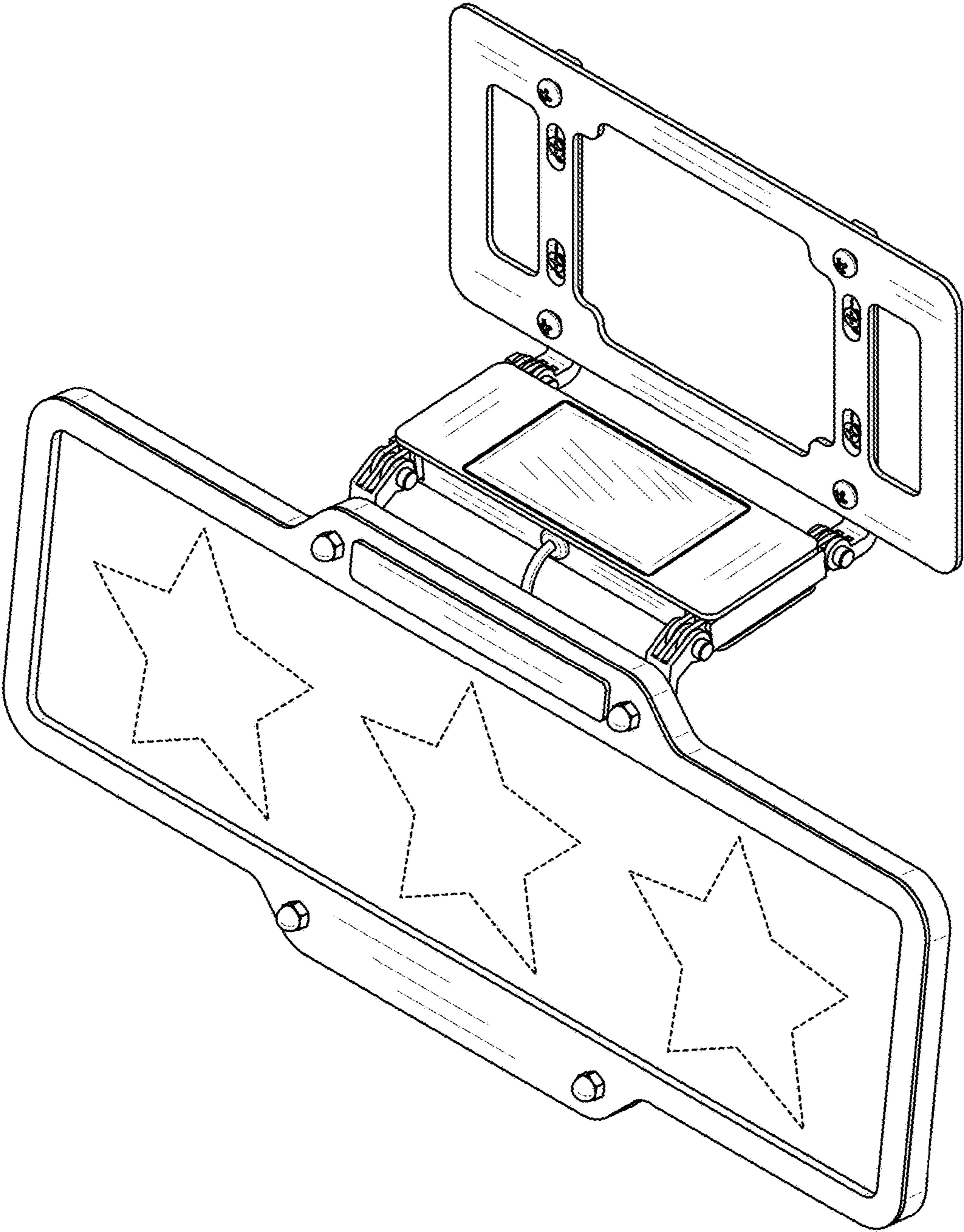


FIG. 1

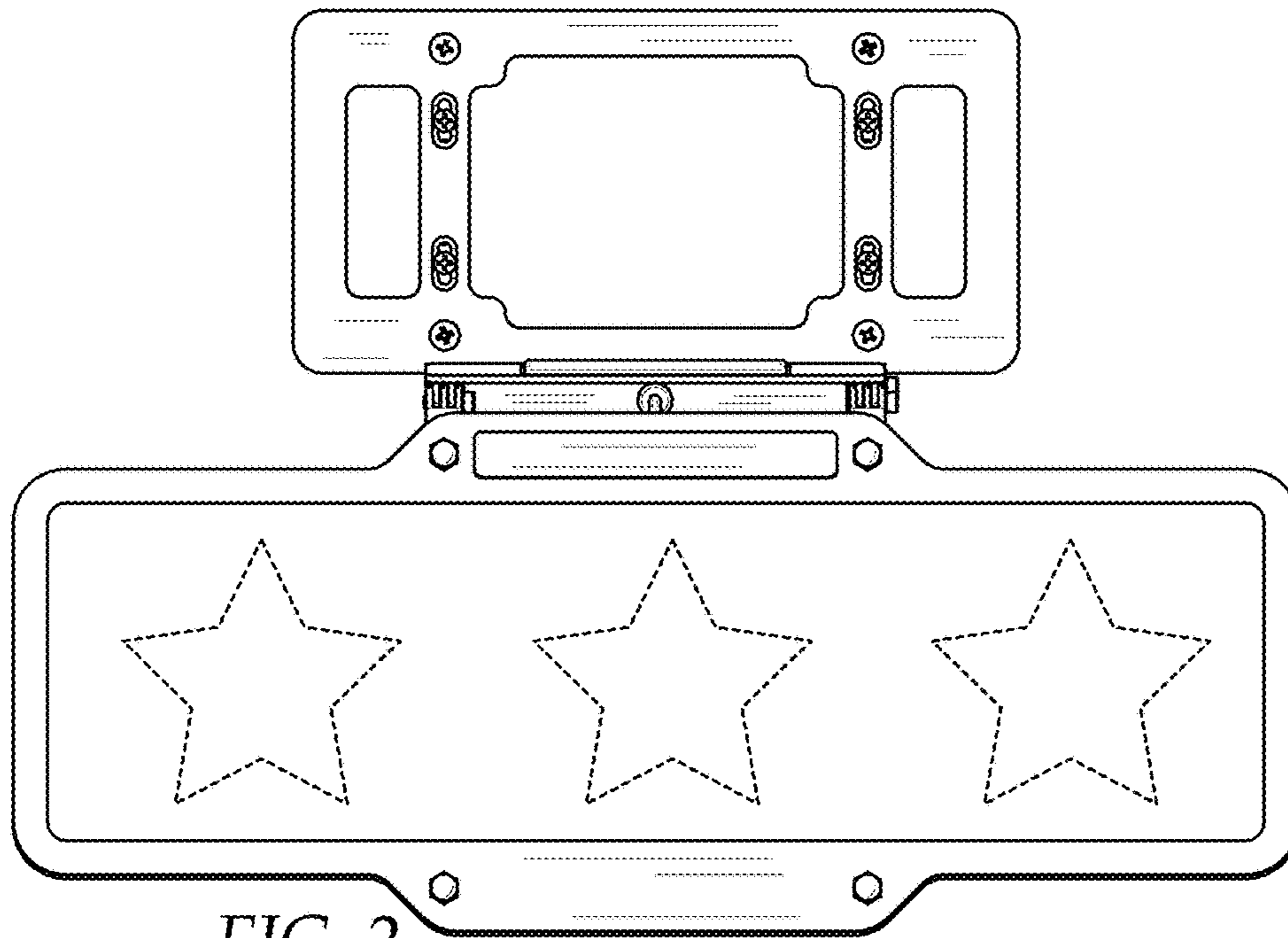


FIG. 2

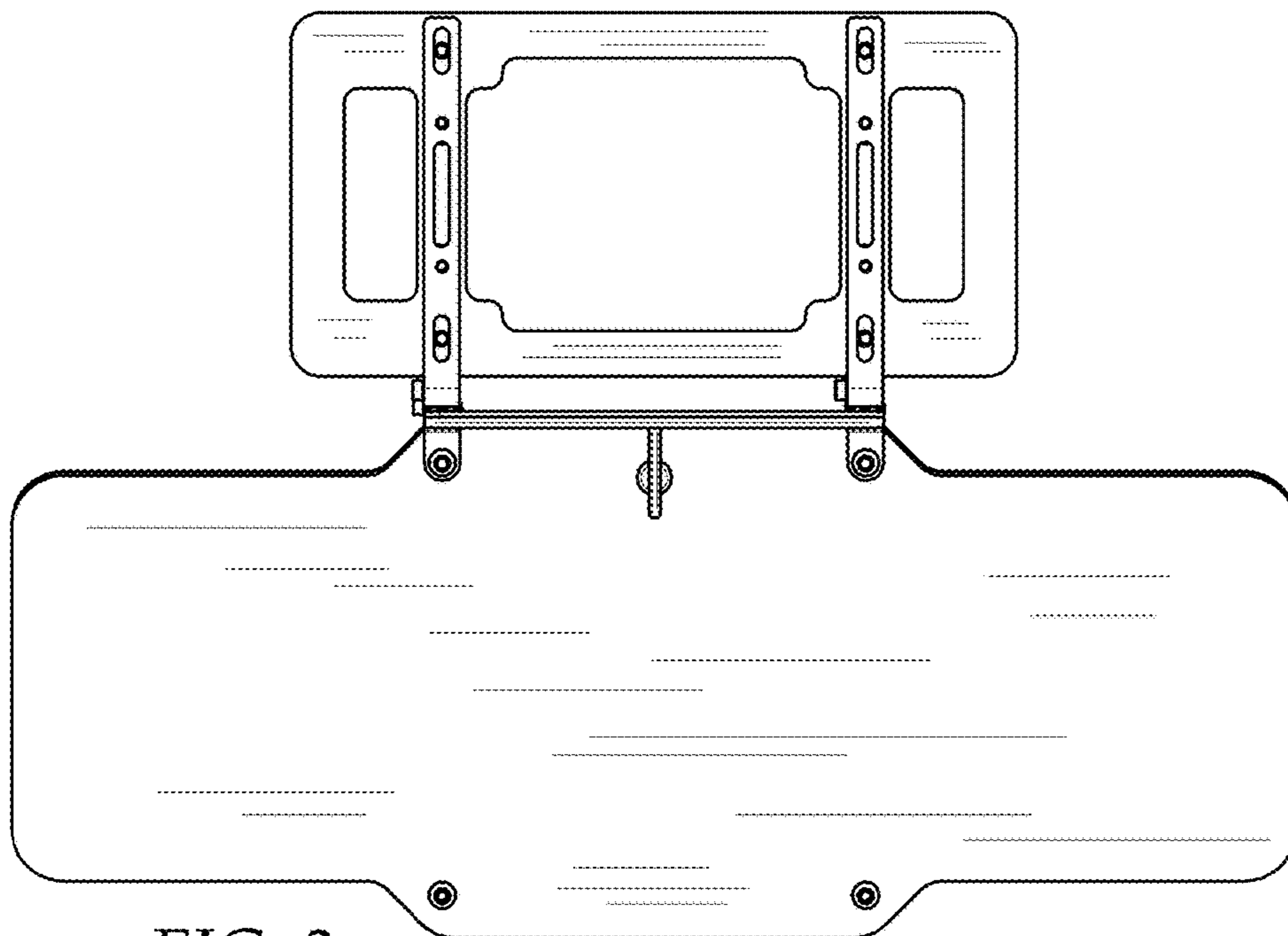


FIG. 3

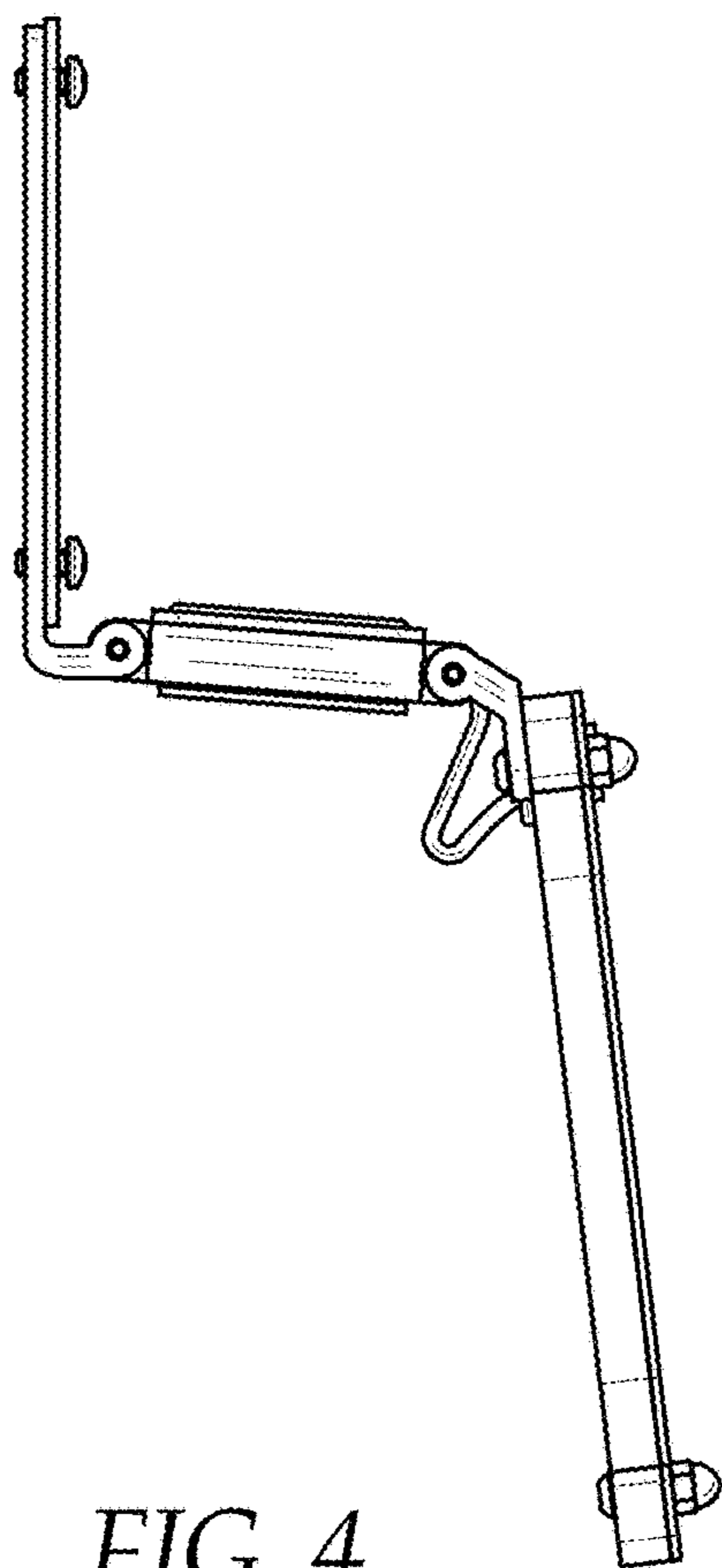


FIG. 4

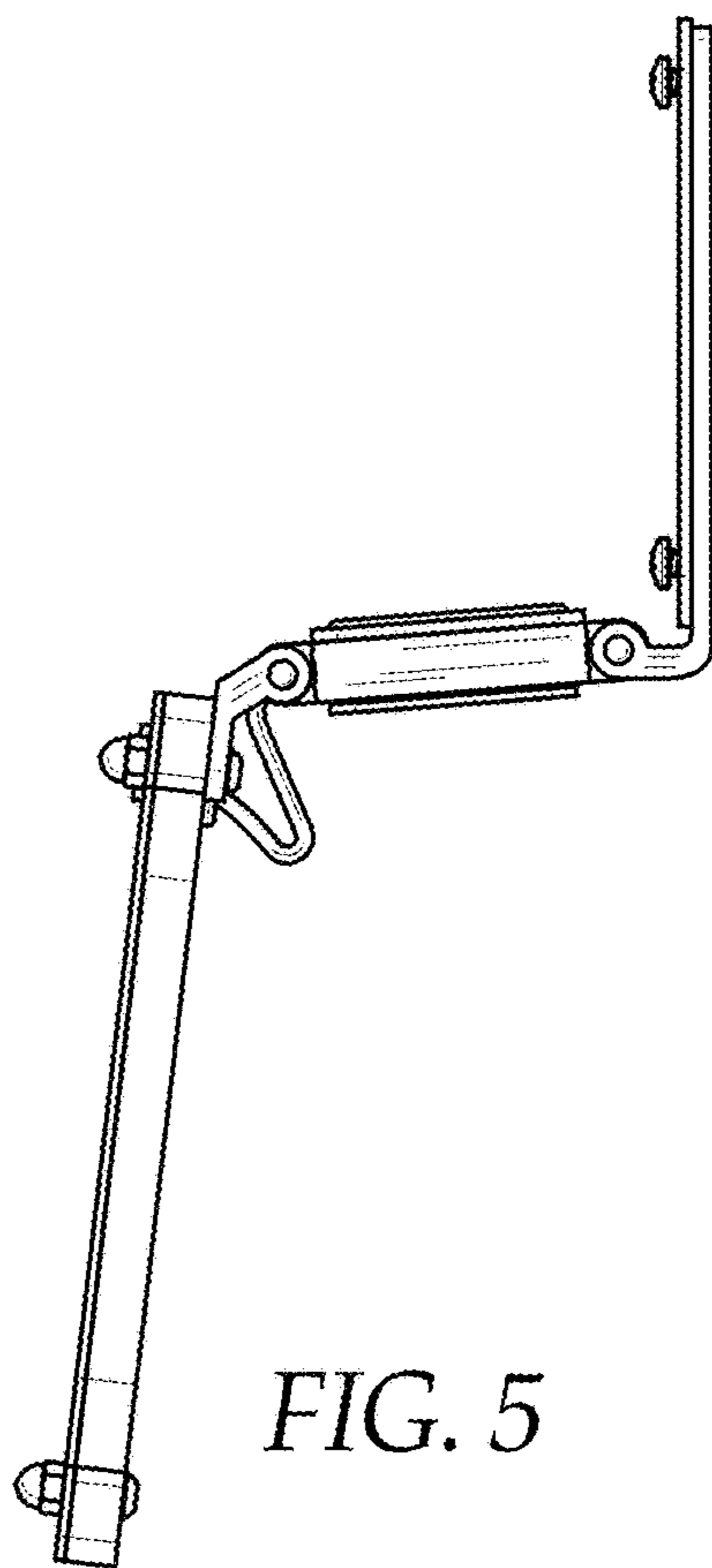


FIG. 5

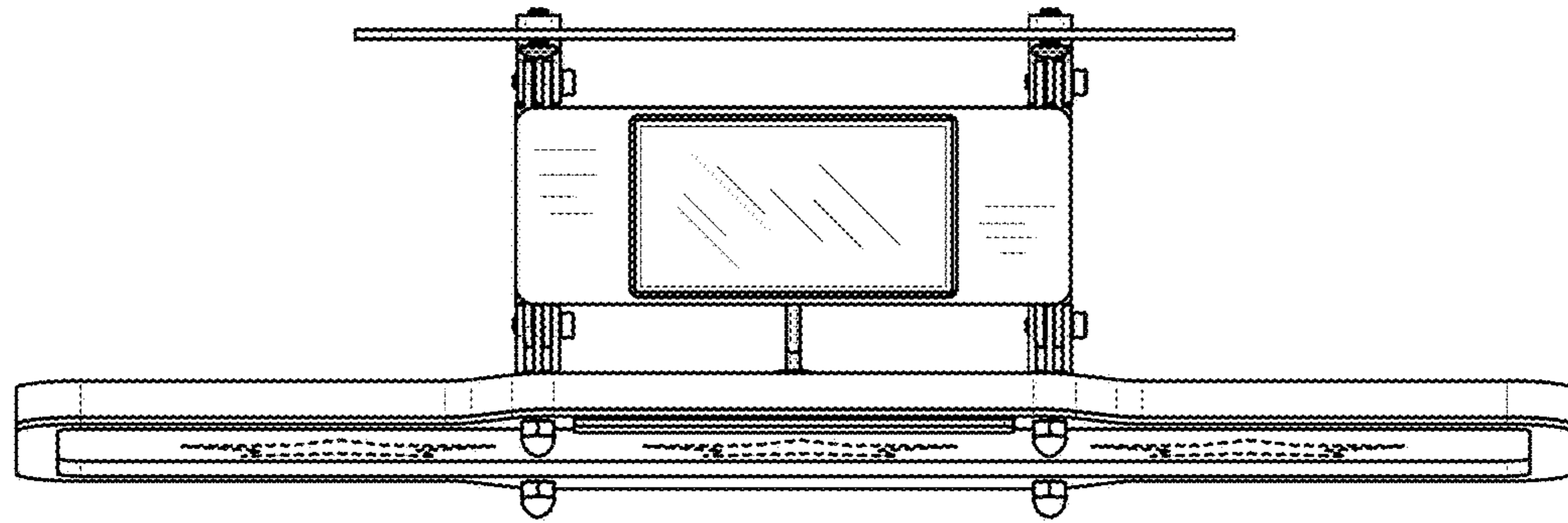


FIG. 6

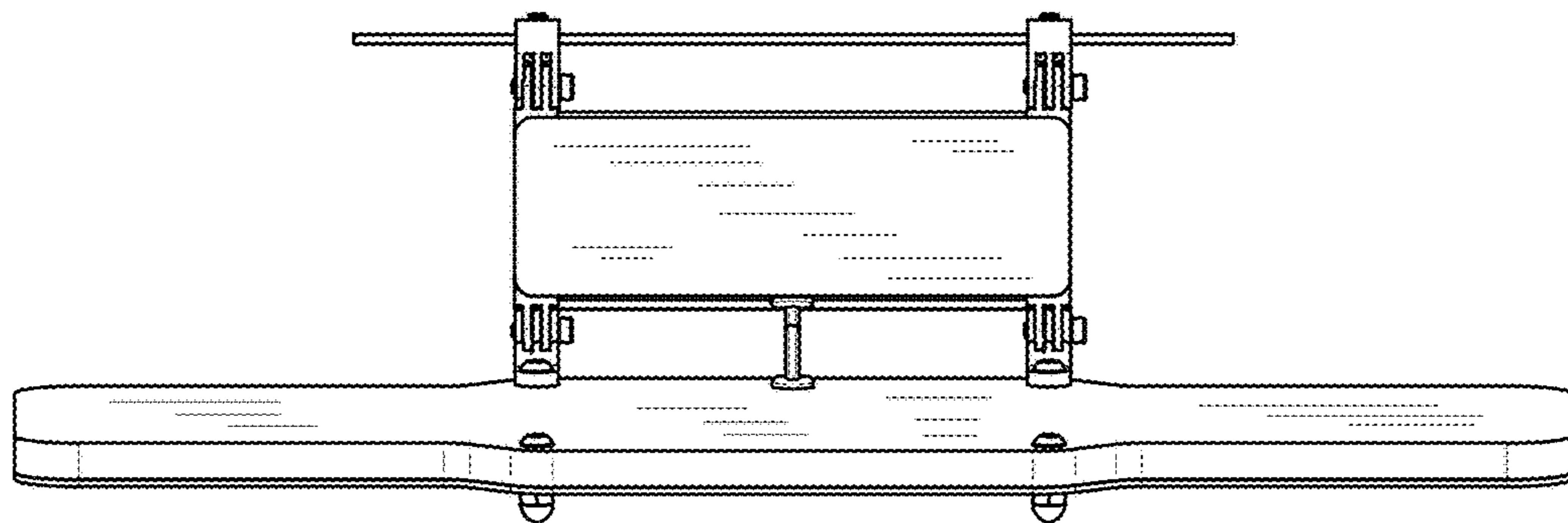


FIG. 7

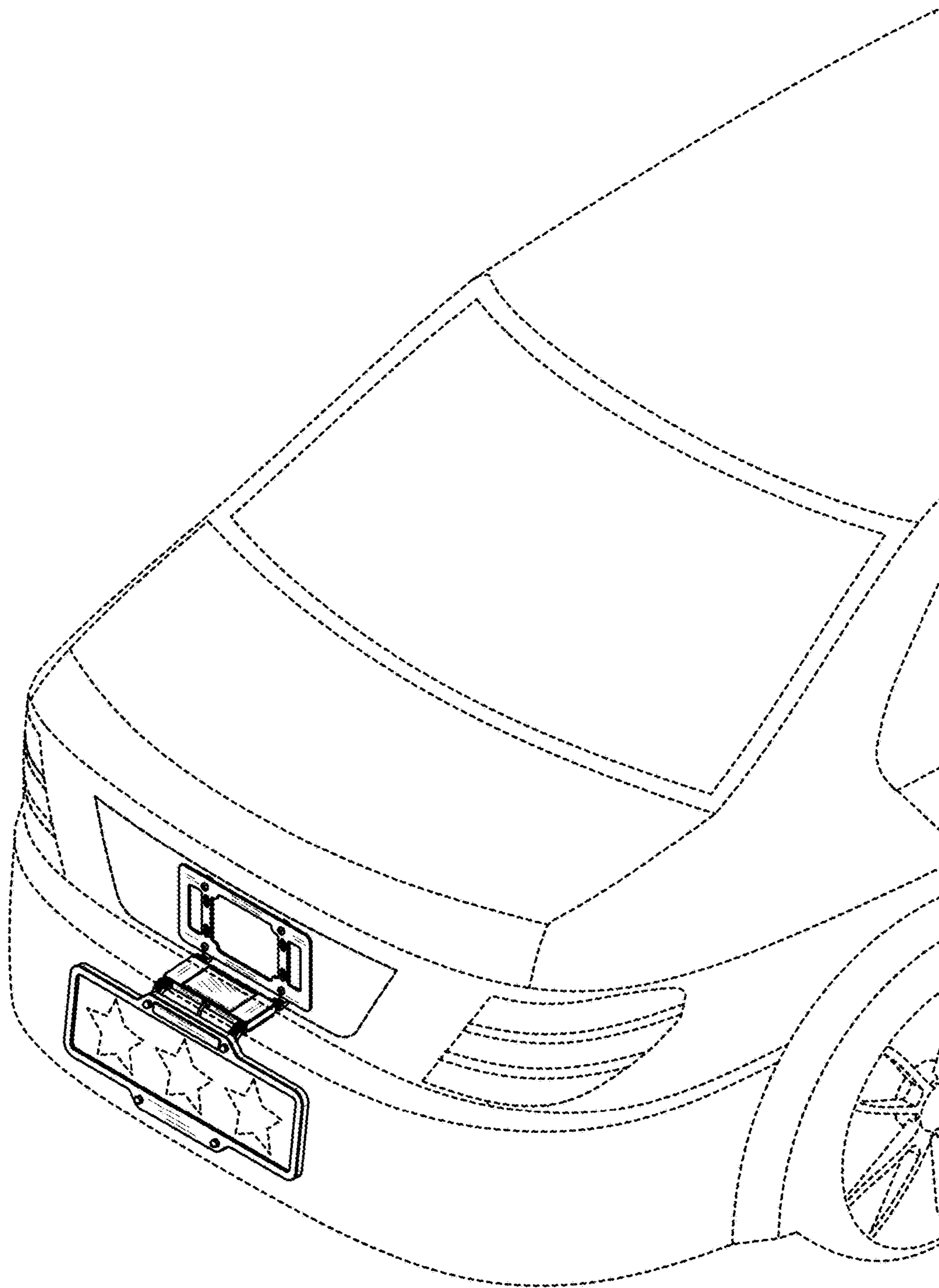


FIG. 8