



US00D822563S

(12) **United States Design Patent** (10) **Patent No.:** **US D822,563 S**
Nosworthy (45) **Date of Patent:** **** Jul. 10, 2018**

(54) **DISC BRAKE CALIPER BRACKET**

(71) Applicant: **Dennis Michael Nosworthy**, Coto de Caza, CA (US)

(72) Inventor: **Dennis Michael Nosworthy**, Coto de Caza, CA (US)

(**) Term: **15 Years**

(21) Appl. No.: **29/555,027**

(22) Filed: **Feb. 17, 2016**

6,386,335 B1 * 5/2002 DiPonio F16D 55/227
188/250 B
D461,391 S * 8/2002 Houdek D8/302
D490,350 S * 5/2004 Blaschke D12/180
D493,754 S * 8/2004 Barbosa D12/180
D560,580 S * 1/2008 Sasaki D12/180
7,331,588 B2 * 2/2008 Johnson B60G 9/00
280/124.116
7,377,368 B2 * 5/2008 Schog F16D 65/095
188/253
D621,417 S * 8/2010 McGarry D12/126
D622,642 S * 8/2010 Noble D12/160
(Continued)

Related U.S. Application Data

(63) Continuation of application No. 29/496,857, filed on Jul. 17, 2014.

(51) **LOC (11) Cl.** **12-16**

(52) **U.S. Cl.**
USPC **D12/180**

(58) **Field of Classification Search**
USPC D12/107, 110, 114, 115, 117, 126, 160,
D12/174, 177, 180, 189, 223, 400, 401,
D12/404, 408, 415, 420, 423; D25/48.1,
D25/48.3

CPC . B60R 1/025; B60R 1/08; B62H 5/001; B62J
9/006; B65D 43/16; B65D 43/22; B65D
55/02; F16D 55/22; F16D 55/226; F16D
55/2262; F16D 65/14; F16D 65/16; F16D
65/18; F16D 65/22; F16D 65/38; F16D
65/56; F16D 65/567; F16D 66/02; F21S
48/00; G01S 13/931

See application file for complete search history.

(56) **References Cited**

U.S. PATENT DOCUMENTS

5,433,301 A * 7/1995 Eshghy F16D 65/092
188/250 G
6,276,674 B1 * 8/2001 Randell F16F 1/3713
267/140.13

OTHER PUBLICATIONS

Front brake system in a 2000 ford crown victoria, image post date 2000, site visited Jun. 24, 2017, (online), <<http://www.idmsvcs.com/2vmod/brakesystem/pads/replace/front/>>.*

(Continued)

Primary Examiner — Kevin K Rudzinski
(74) *Attorney, Agent, or Firm* — Curtis L. Harrington;
Harrington & Harrington

(57) **CLAIM**

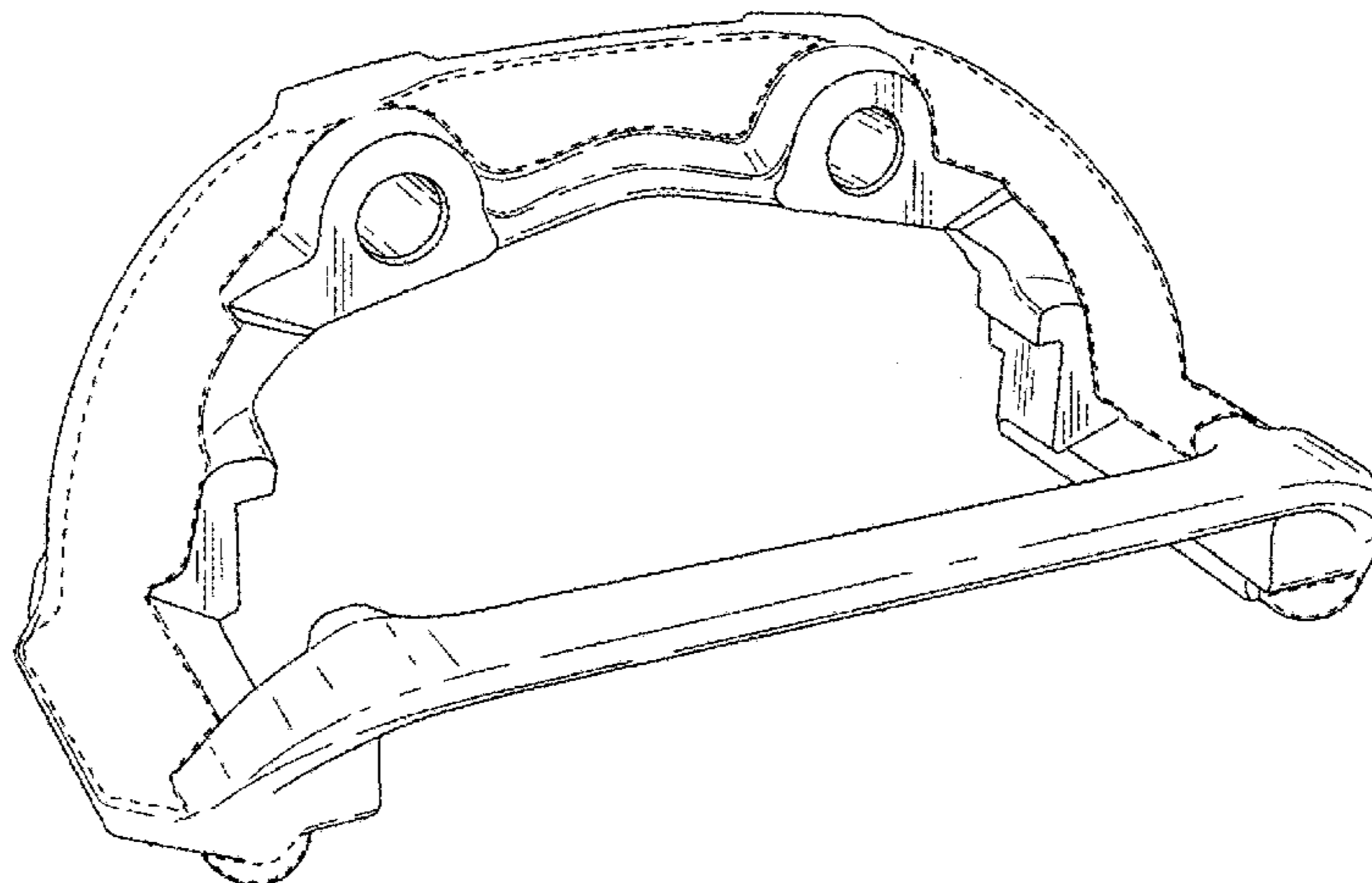
The ornamental design for a disc brake caliper bracket, as shown and described.

DESCRIPTION

FIG. 1 is a top and front perspective view of the disc brake caliper bracket, showing my new design; FIG. 2 is a front elevation view thereof; FIG. 3 is a rear elevation view thereof; FIG. 4 is a right side elevation view thereof; FIG. 5 is a left side elevation view thereof; FIG. 6 is a bottom plan view thereof; and, FIG. 7 is a top plan view thereof.

The broken lines illustrate portions of the disc brake caliper bracket that form no part of the claimed design.

1 Claim, 3 Drawing Sheets



(56)

References Cited

U.S. PATENT DOCUMENTS

7,825,337 B2 * 11/2010 Young, IV H02G 3/30
 174/135
 D630,141 S * 1/2011 Chen D12/180
 7,926,631 B2 * 4/2011 Roberts F16D 55/226
 188/250 B
 D648,250 S * 11/2011 Nosworthy D12/160
 8,540,061 B1 * 9/2013 Plantan F16D 55/226
 188/73.32
 D700,559 S * 3/2014 Glaeser D12/194
 D700,561 S * 3/2014 Glaeser D12/194
 D726,636 S * 4/2015 Curts D12/317
 D727,802 S * 4/2015 Sung D12/159
 D731,367 S * 6/2015 Miller D12/159
 D731,368 S * 6/2015 Miller D12/159
 D739,319 S * 9/2015 Montgomery D12/180
 D747,245 S * 1/2016 Nosworthy D12/180
 D749,466 S * 2/2016 Nosworthy D12/159
 D774,101 S * 12/2016 Delgado D15/5
 9,828,059 B2 * 11/2017 Nakakura B62L 3/023
 2004/0079596 A1 * 4/2004 Roberts F16D 55/2262
 188/73.31
 2007/0205061 A1 * 9/2007 Yagi F16D 55/22
 188/73.38
 2007/0267256 A1 * 11/2007 Blatt F16D 55/22
 188/73.31
 2008/0067015 A1 * 3/2008 Thomas F16D 55/00
 188/73.31

2012/0067678 A1 * 3/2012 Andrews F16D 55/227
 188/206 A
 2014/0202804 A1 * 7/2014 Wallmeier F16D 65/08
 188/250 F
 2014/0245992 A1 * 9/2014 Groth F01L 1/18
 123/321
 2015/0034429 A1 * 2/2015 Baumgartner F16D 55/226
 188/73.31
 2015/0144096 A1 * 5/2015 Meneely F01L 1/18
 123/321
 2016/0010710 A1 * 1/2016 Kuo F16D 65/0075
 188/72.8
 2016/0273603 A1 * 9/2016 Sandberg F16D 55/227
 2017/0057314 A1 * 3/2017 Drewes B23K 20/129
 2017/0114844 A1 * 4/2017 Arpaci F16D 65/08

OTHER PUBLICATIONS

aVkQtho, image post date Jul. 25, 2015, site visited Jun. 24, 2017,
 (online), <[https://www.tineye.com/search/
 ac911838c25ee9d6bef7d73d40630a787b5b7fd5/](https://www.tineye.com/search/ac911838c25ee9d6bef7d73d40630a787b5b7fd5/)>.*
 Disc Brake Caliper Bracket-Service Plus Caliper Bracket, image
 post date 2002, site visited Jun. 24, 2017, (online), <[http://www.
 ebay.com/itm/Disc-Brake-Caliper-Bracket-Service-Plus-Caliper-
 Bracket-fits-02-09-Saab-9-5-/252730215202](http://www.ebay.com/itm/Disc-Brake-Caliper-Bracket-Service-Plus-Caliper-Bracket-fits-02-09-Saab-9-5-/252730215202)>.*
 2005 Ford Mustang Brake Caliper Bracket, image post date 2005,
 site visited Jun. 24, 2017, (online), <[https://www.autopartskart.com/
 ford-mustang-2005/disc-brake-caliper-bracket.html](https://www.autopartskart.com/ford-mustang-2005/disc-brake-caliper-bracket.html)>.*

* cited by examiner

Fig. 1

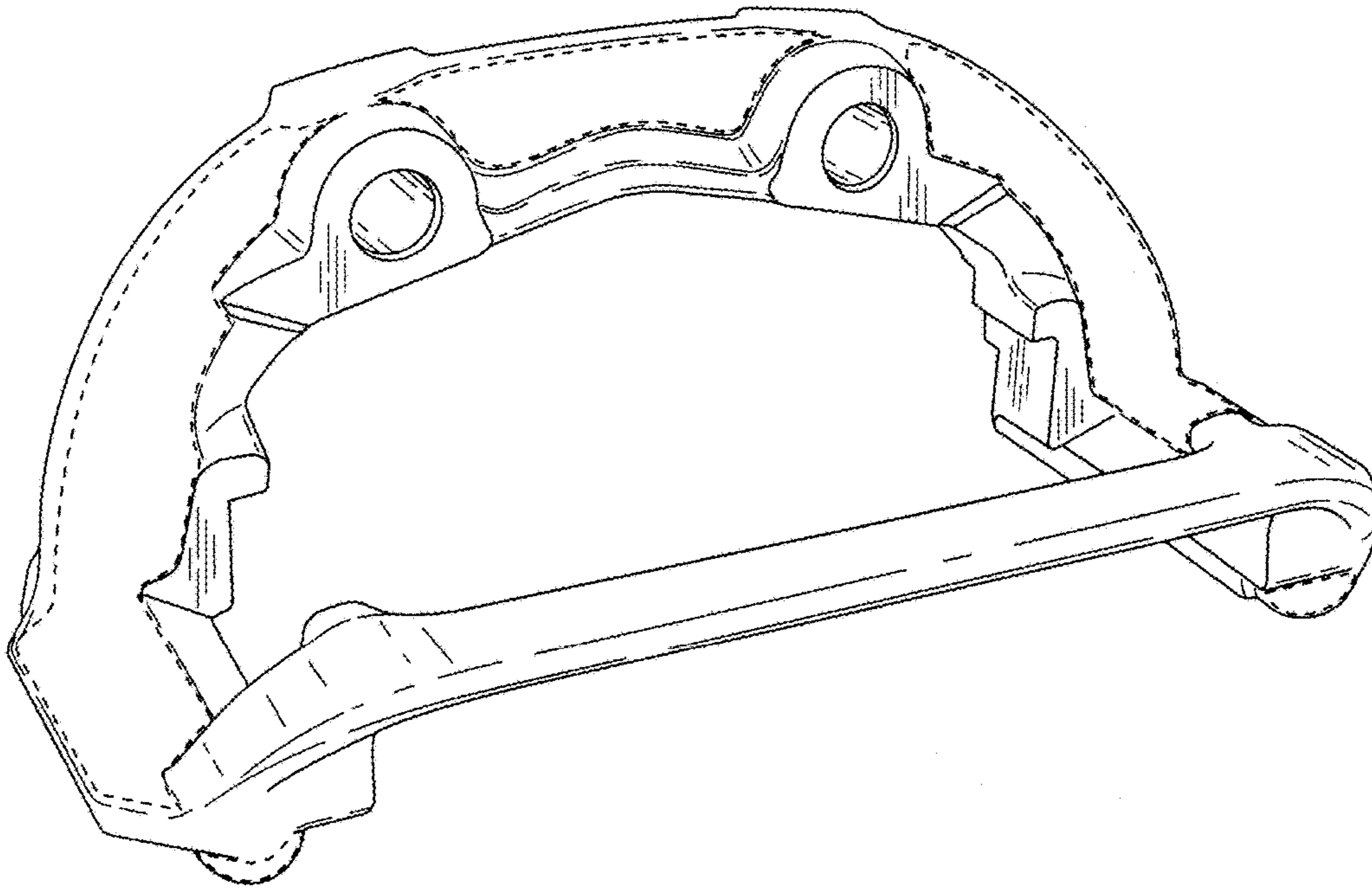


Fig. 2

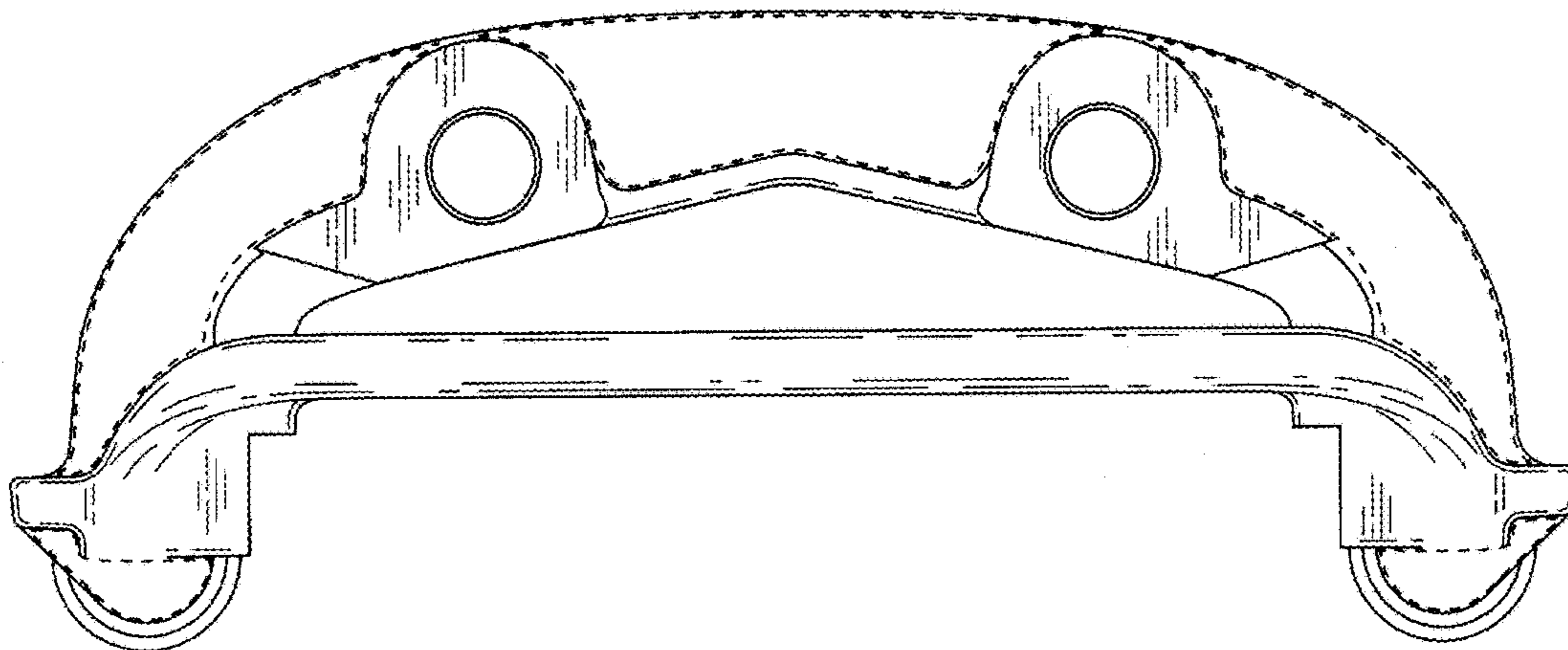


Fig. 3

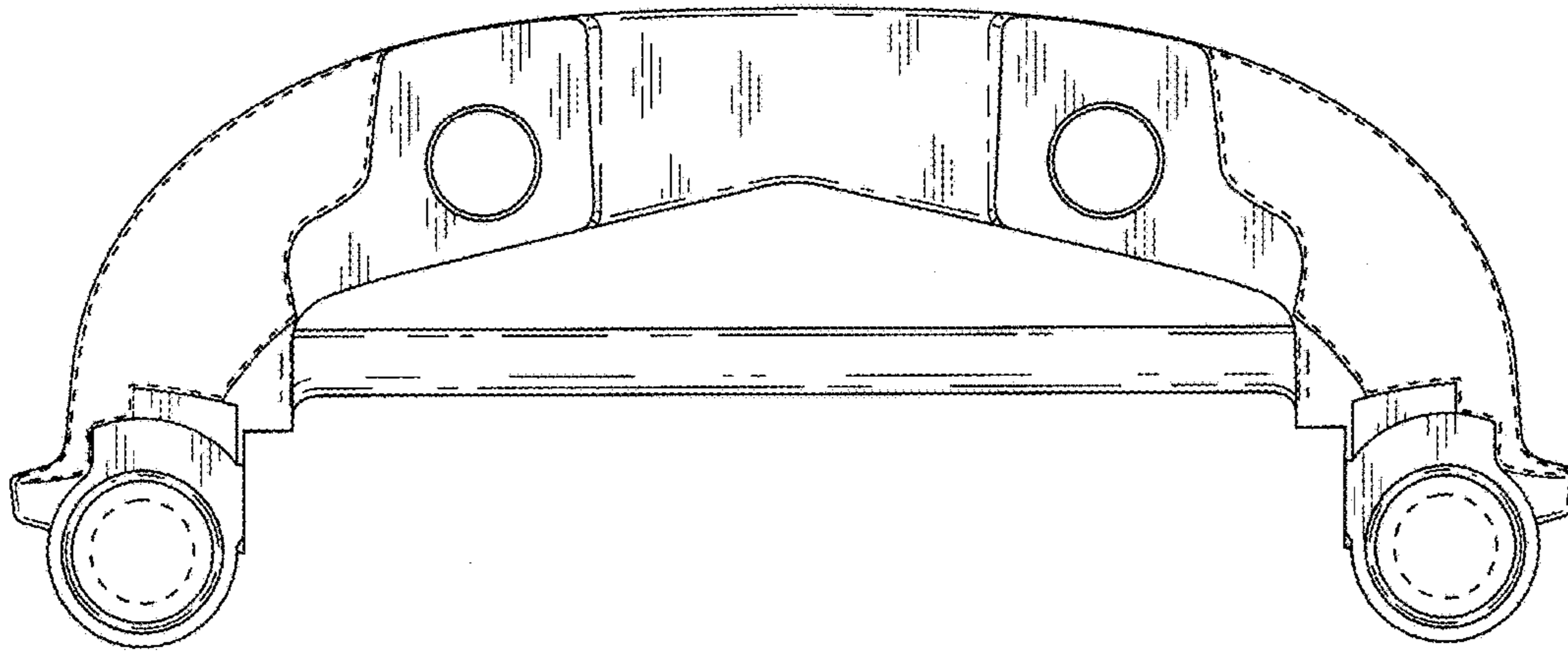


Fig. 4

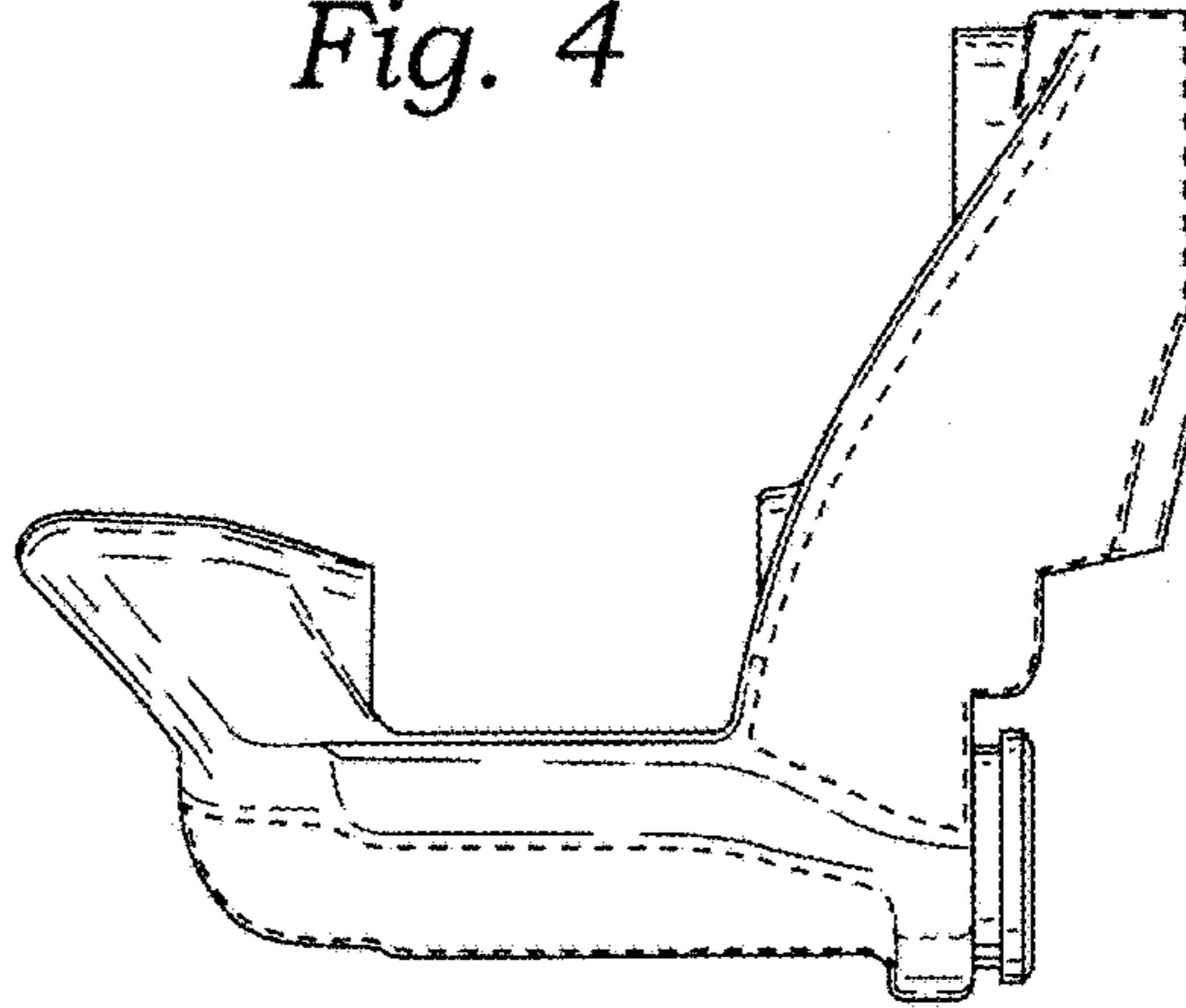


Fig. 5

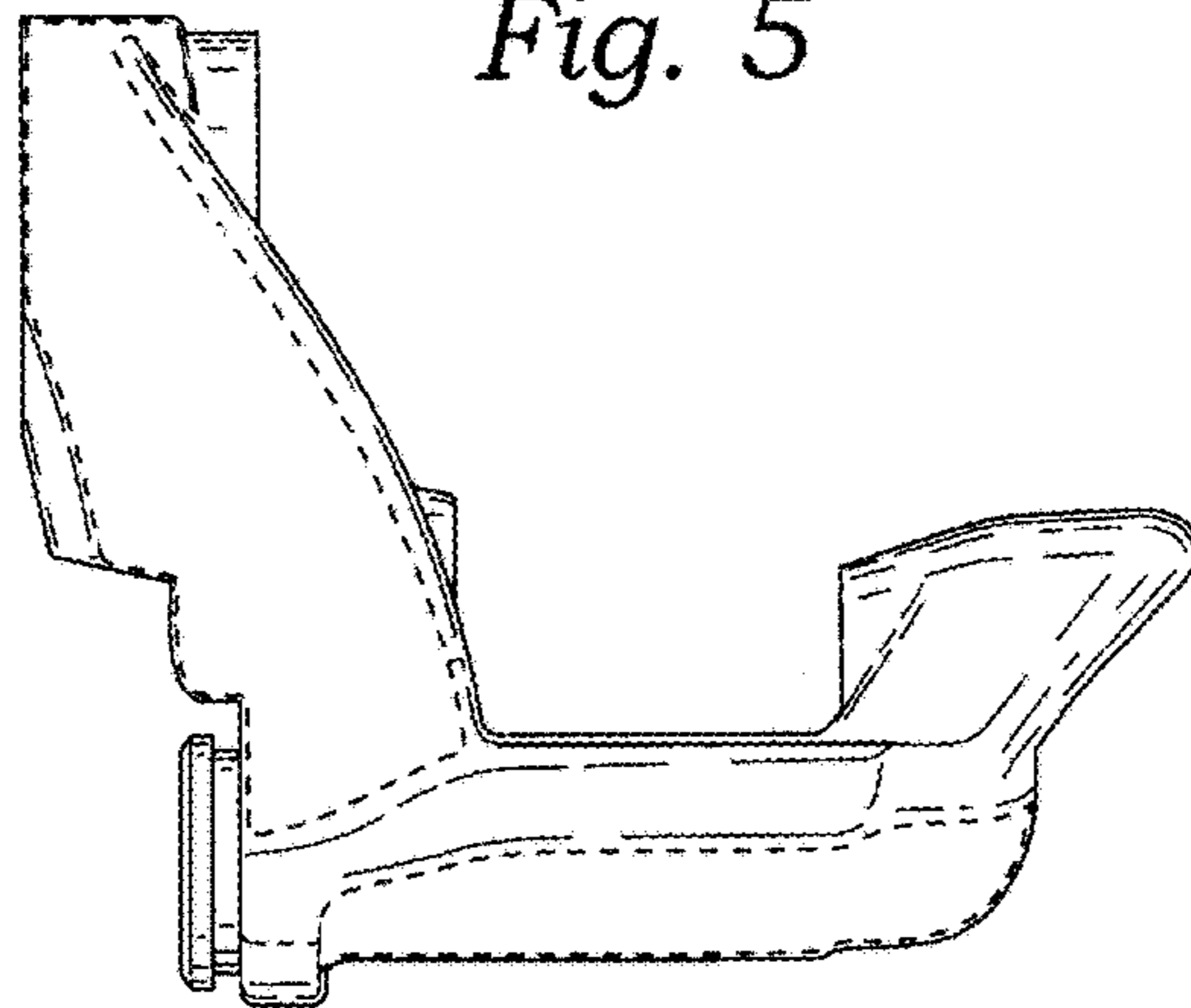


Fig. 6

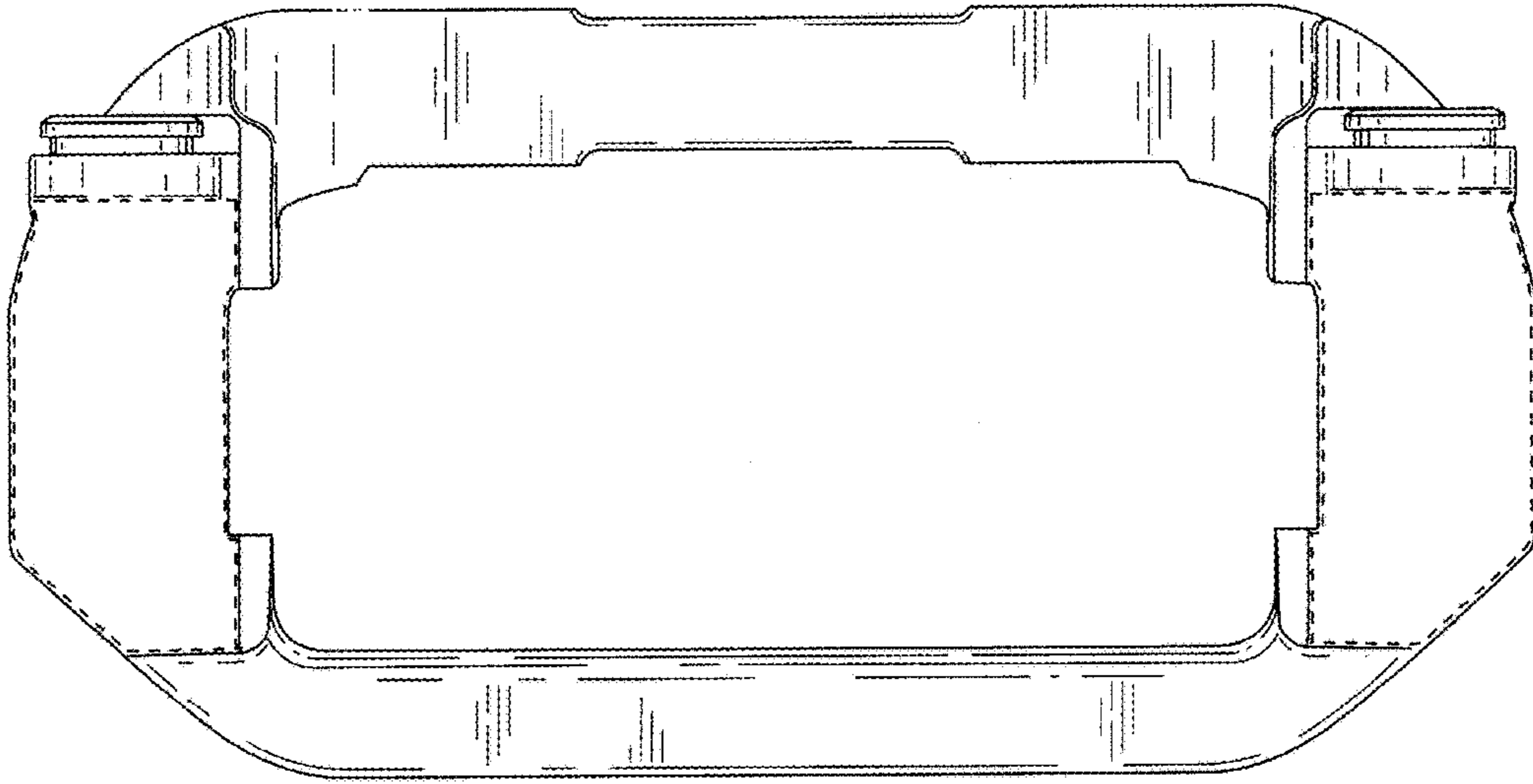


Fig. 7

