



US00D822561S

(12) **United States Design Patent** (10) **Patent No.:** **US D822,561 S**
Hochhalter (45) **Date of Patent:** **** Jul. 10, 2018**

(54) **GEAR SHIFT KNOB**
(71) Applicant: **Denis Hochhalter**, Azle, TX (US)
(72) Inventor: **Denis Hochhalter**, Azle, TX (US)
(**) Term: **15 Years**
(21) Appl. No.: **29/560,895**
(22) Filed: **Apr. 12, 2016**
(51) **LOC (11) Cl.** **12-16**
(52) **U.S. Cl.**
USPC **D12/179**
(58) **Field of Classification Search**
USPC D12/174, 179; D14/412, 415, 416;
D15/5, 7, 28; D21/333; D34/35;
D13/168, 169; D23/245, 250, 499
CPC H01H 25/04; H01H 25/041; H01H 25/043;
F16H 59/0204
See application file for complete search history.

(56) **References Cited**

U.S. PATENT DOCUMENTS

D452,467 S *	12/2001	Lane	D12/174
D596,371 S *	7/2009	Janes, Jr.	D34/29
D599,829 S *	9/2009	Jorgensen	D14/412
D638,478 S *	5/2011	Block	D21/333
D655,760 S *	3/2012	Ikeda	D14/400
D688,607 S *	8/2013	Foster	D12/179
D728,187 S *	4/2015	Zeppetbauer	D34/35
9,627,161 B2 *	4/2017	Yamamoto	H01H 21/24
D790,545 S *	6/2017	Dannenberg	D14/413
D795,259 S *	8/2017	Vaninetti	D14/412

(Continued)

OTHER PUBLICATIONS

Heavy Metal Shift Knob, alibaba.com, dated 2012, 2 pages. Found online Mar. 26, 2018 at <https://guide.alibaba.com/shop/free-ship->

ping-car-dangba-feel-heavy-metal-shift-knob-modification-gear-shift-citroen-car-styling_56634212.html (Year: 2012).*

(Continued)

Primary Examiner — Robert Middleton Spear
(74) *Attorney, Agent, or Firm* — Law Offices of Jeff Williams; J. Oliver Williams

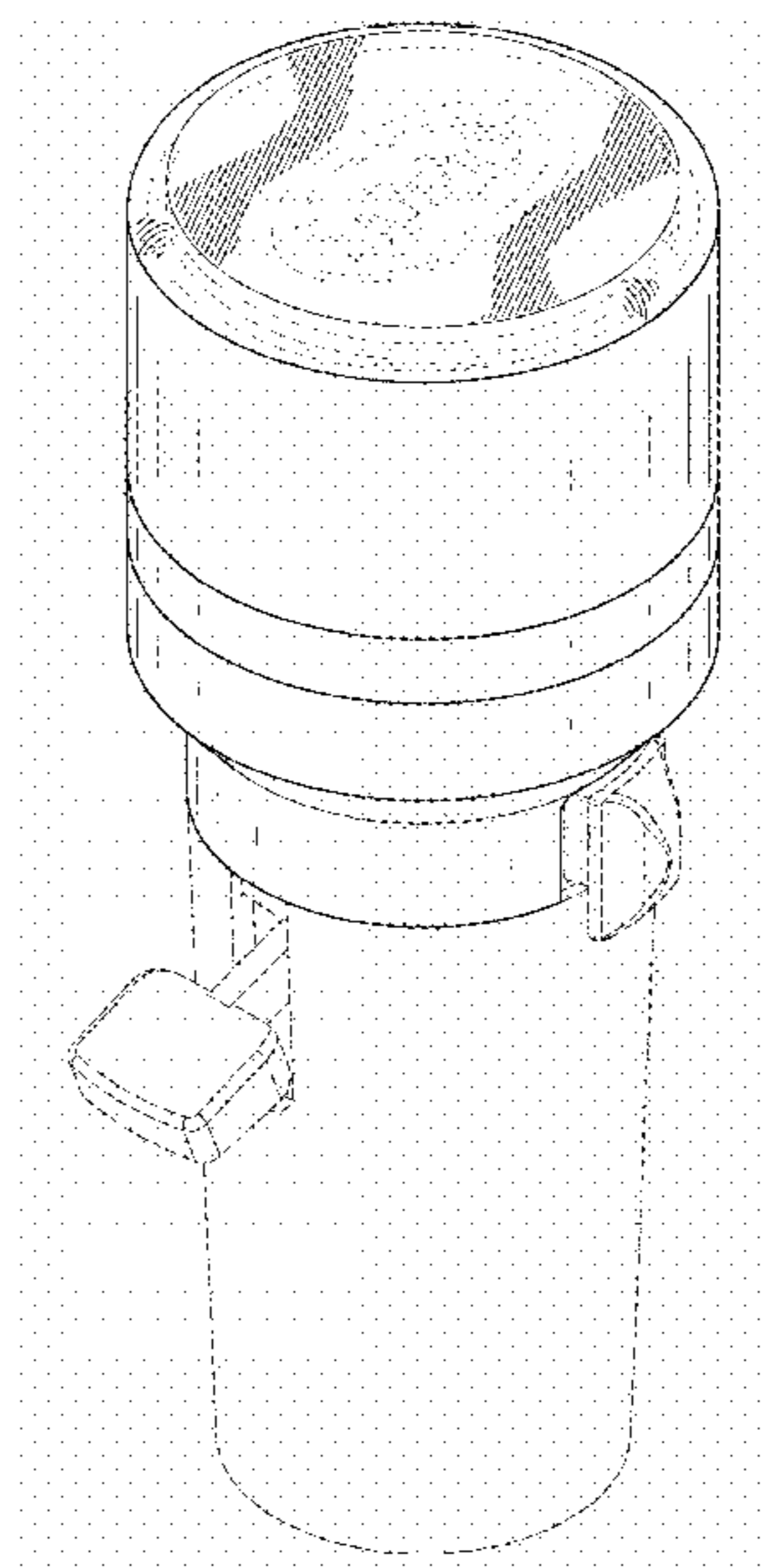
(57) **CLAIM**

The ornamental design for a gear shift knob, as shown and described.

DESCRIPTION

FIG. 1 is a perspective view of a gear shift knob according to the present application.
FIG. 2 is a side view of the gear shift knob of FIG. 1.
FIG. 3 is a top view of the gear shift knob of FIG. 1.
FIG. 4 is a bottom view of the gear shift knob of FIG. 1.
FIG. 5 is an exploded perspective view of the gear shift knob of FIG. 1.
FIG. 6 is an alternate perspective view of the gear shift knob of FIG. 1.
FIG. 7 is a perspective view of a cap member of the gear shift knob of FIG. 1.
FIG. 8 is a side view of the cap member of FIG. 7.
FIG. 9 is a top view of the cap member of FIG. 7.
FIG. 10 is a bottom view of the cap member of FIG. 7.
FIG. 11 is a perspective view of a base member of the gear shift knob of FIG. 1.
FIG. 12 is a right side view of the base member of FIG. 11.
FIG. 13 is a left side view of the base member of FIG. 11.
FIG. 14 is a front view of the base member of FIG. 11.
FIG. 15 is a back view of the base member of FIG. 11.
FIG. 16 is a top view of the base member of FIG. 11; and, FIG. 17 is a bottom view of the base member of FIG. 11.
The broken lines are included for the purpose of illustrating environmental structure and form no part of the claimed design.

1 Claim, 11 Drawing Sheets



(56)

References Cited

U.S. PATENT DOCUMENTS

D806,621 S * 1/2018 Burch, V D12/179

OTHER PUBLICATIONS

Silver Tone 5 Speed Manual Gear Shift Shifter Knob, alibaba.com, undated illustration. Found online Mar. 26, 2018 at https://guide.alibaba.com/shop/silver-tone-5-speed-manual-gear-shift-shifter-knob_75762482.html (Year: 2018).*

Changing gears: Cars ditch familiar shift levers by Joseph B. White, marketwatch.com, dated Apr. 20, 2013, 7 pages. Found online Mar. 26, 2018 at <https://www.marketwatch.com/story/changing-gears-cars-ditch-familiar-shift-levers-2013-04-20> (Year: 2013).*

* cited by examiner

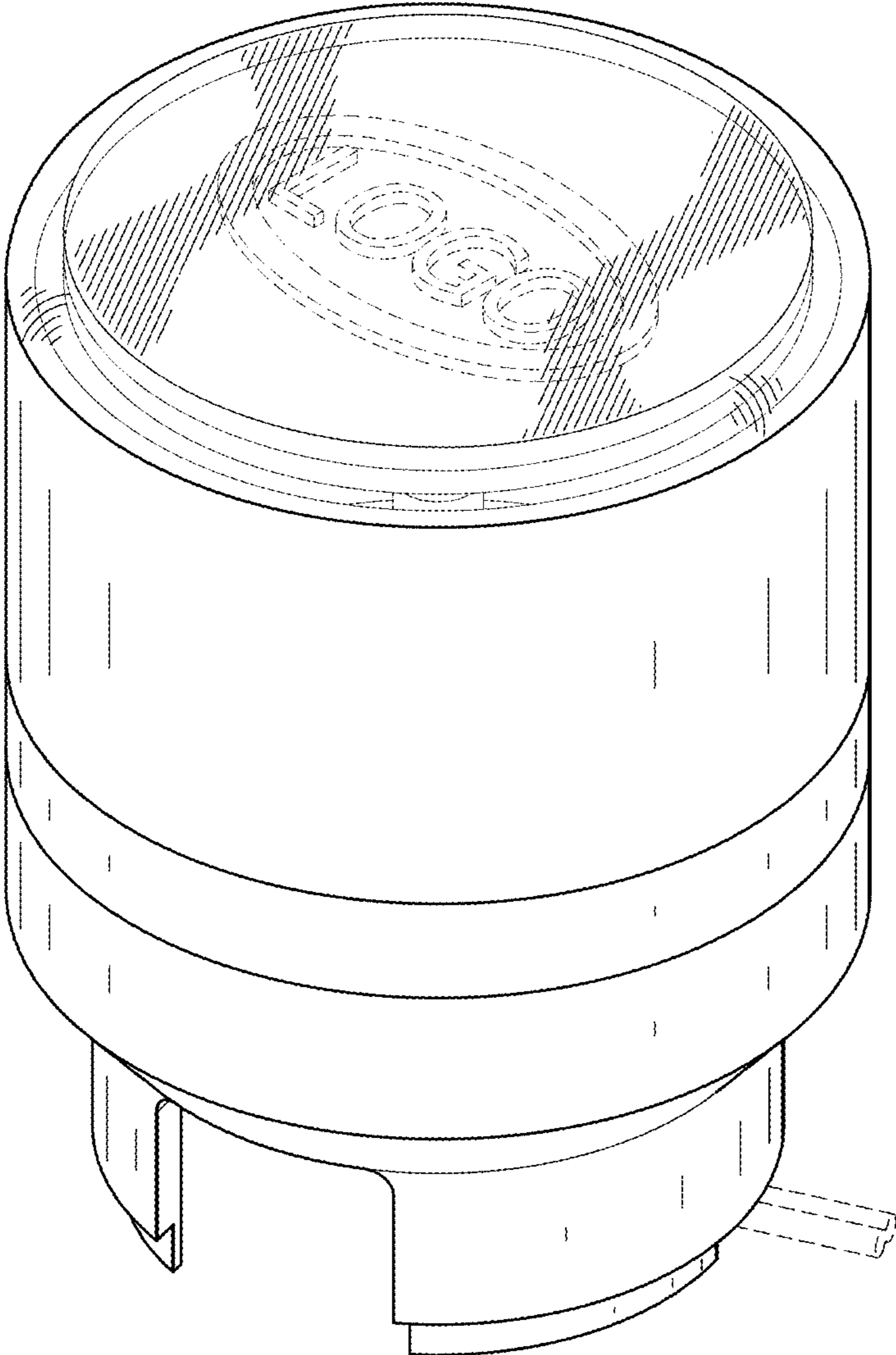


FIG. 1

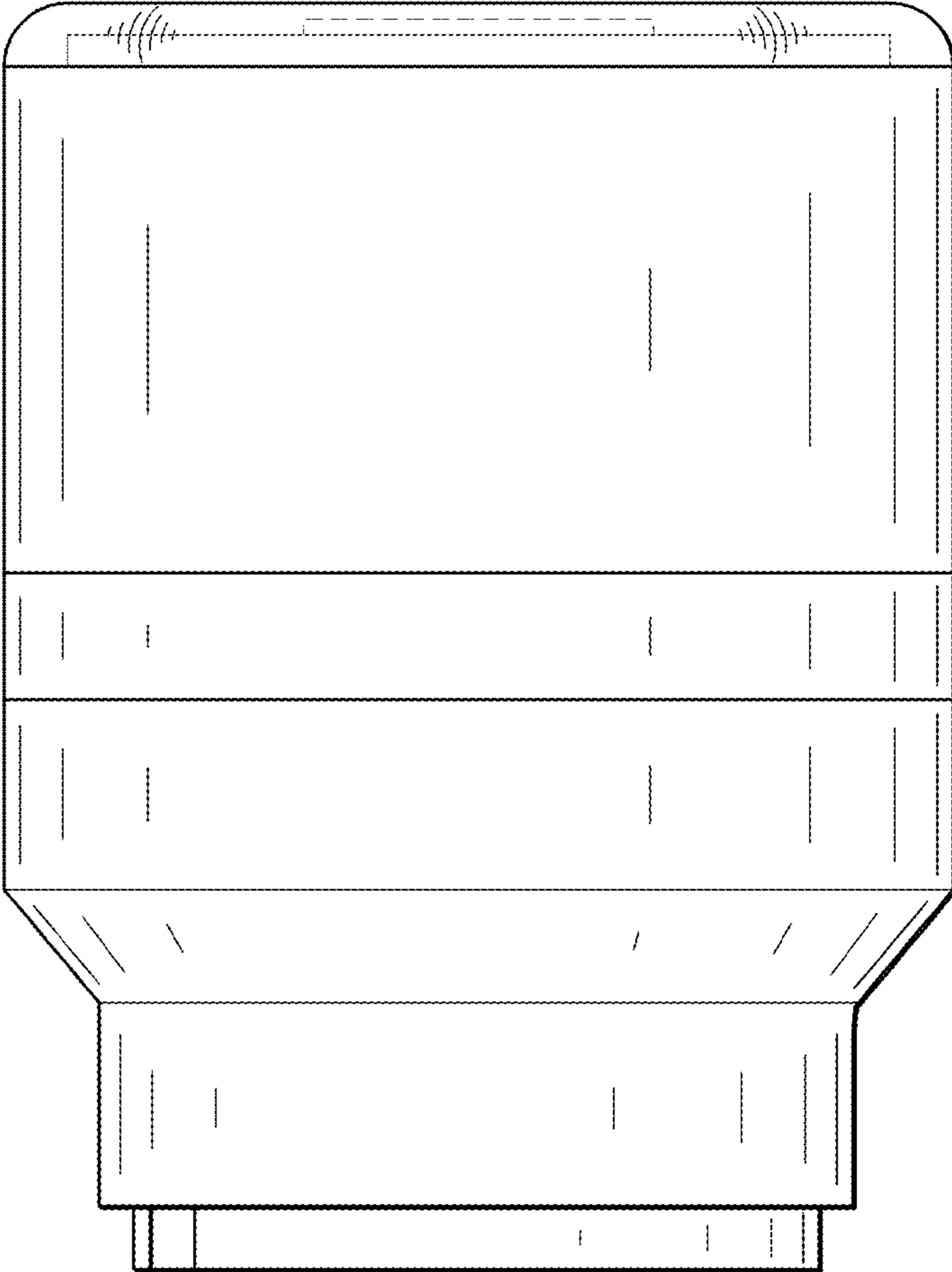


FIG. 2

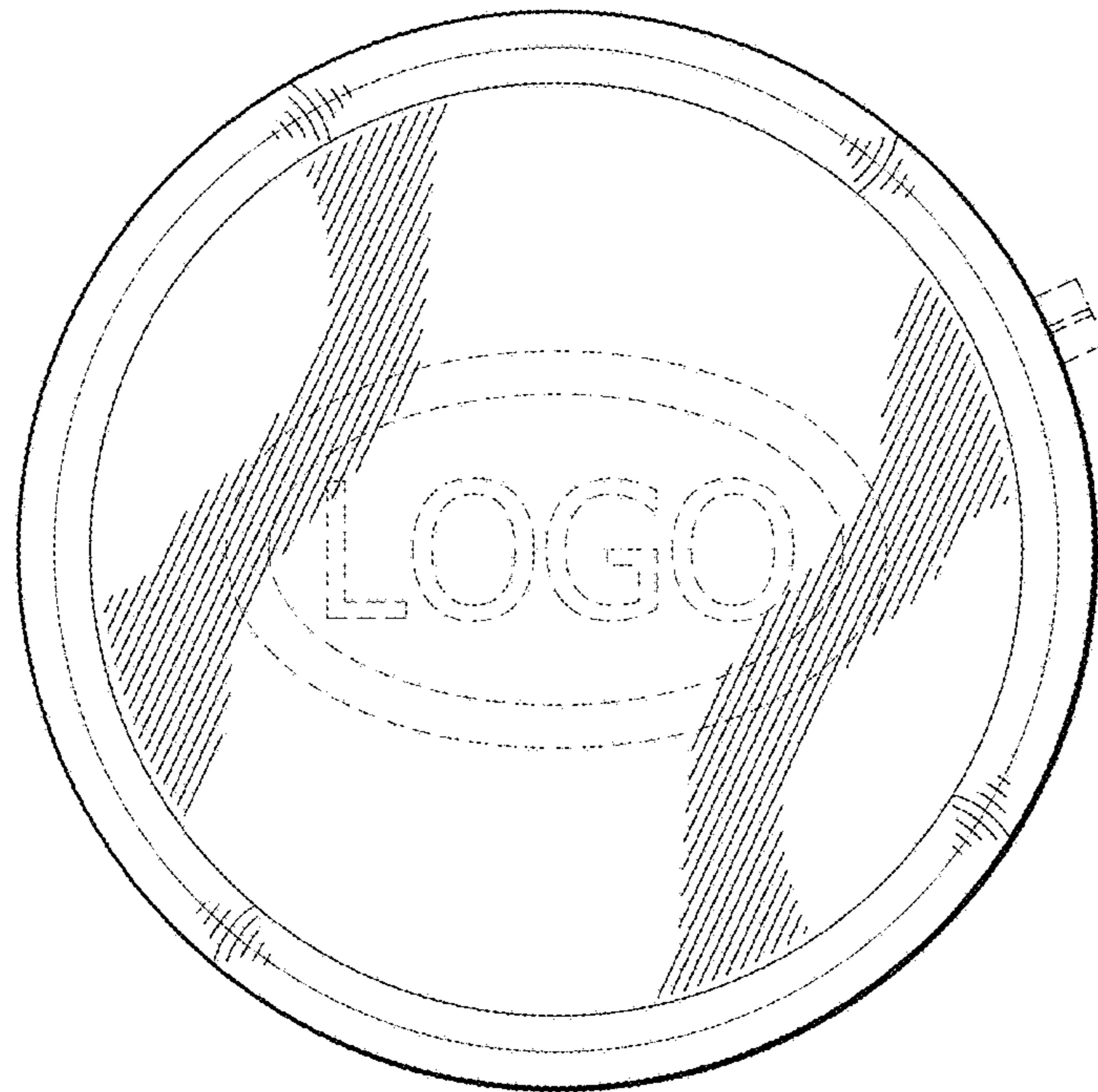


FIG. 3

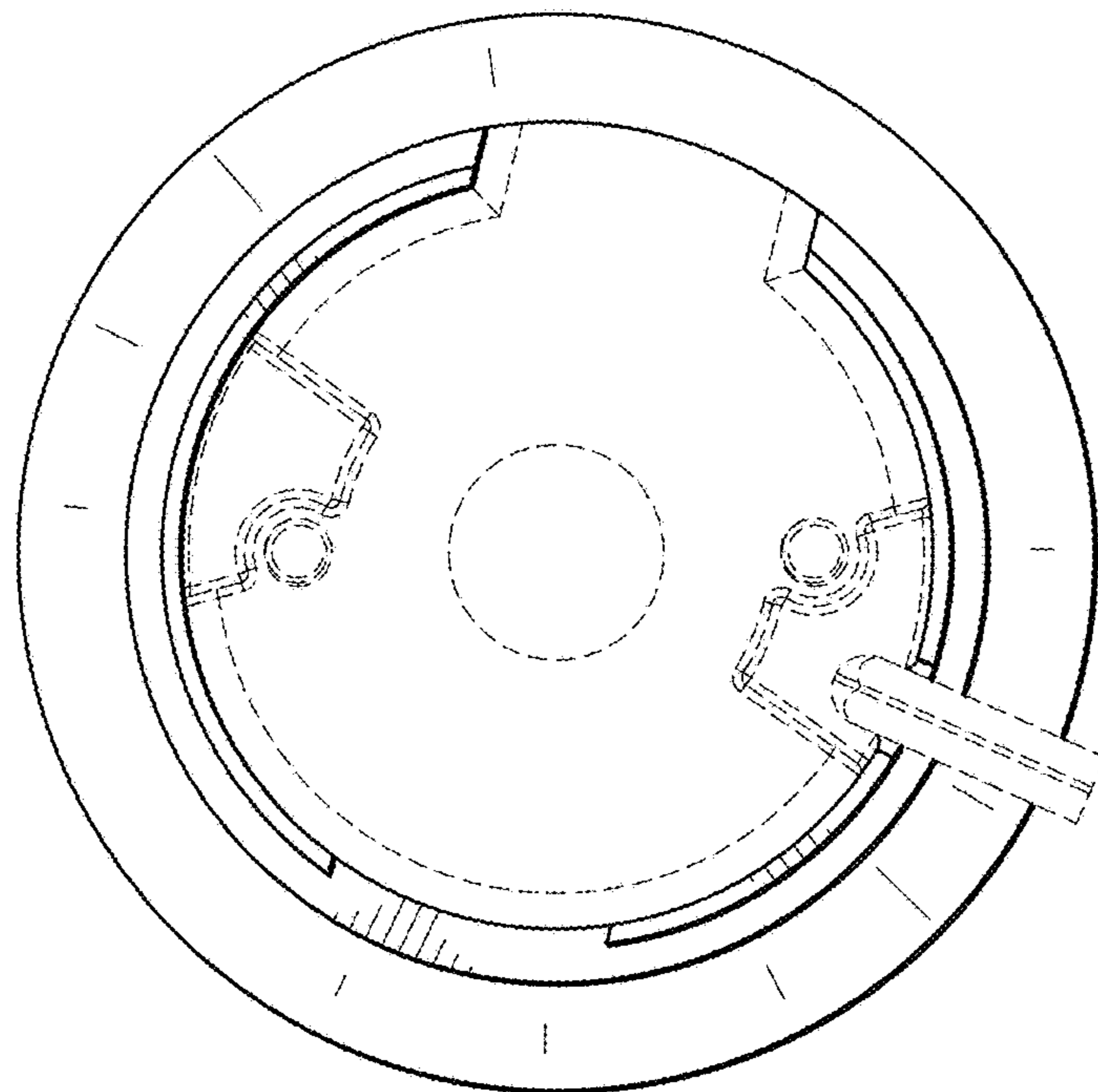


FIG. 4

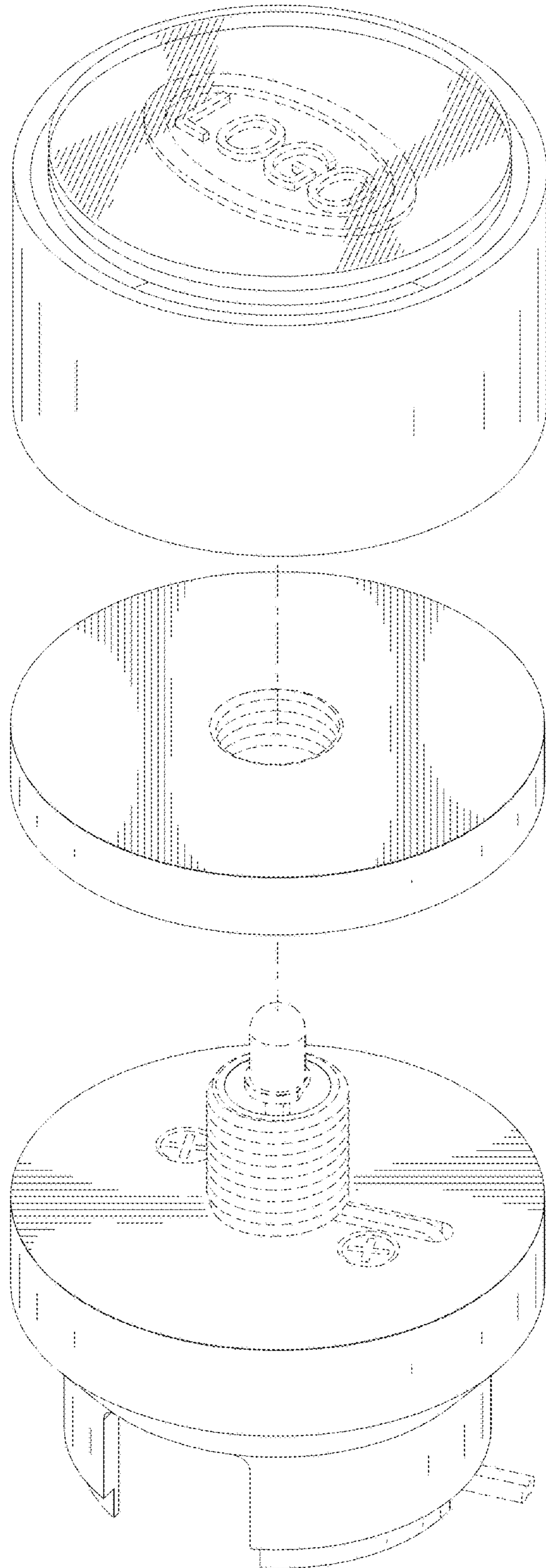


FIG. 5

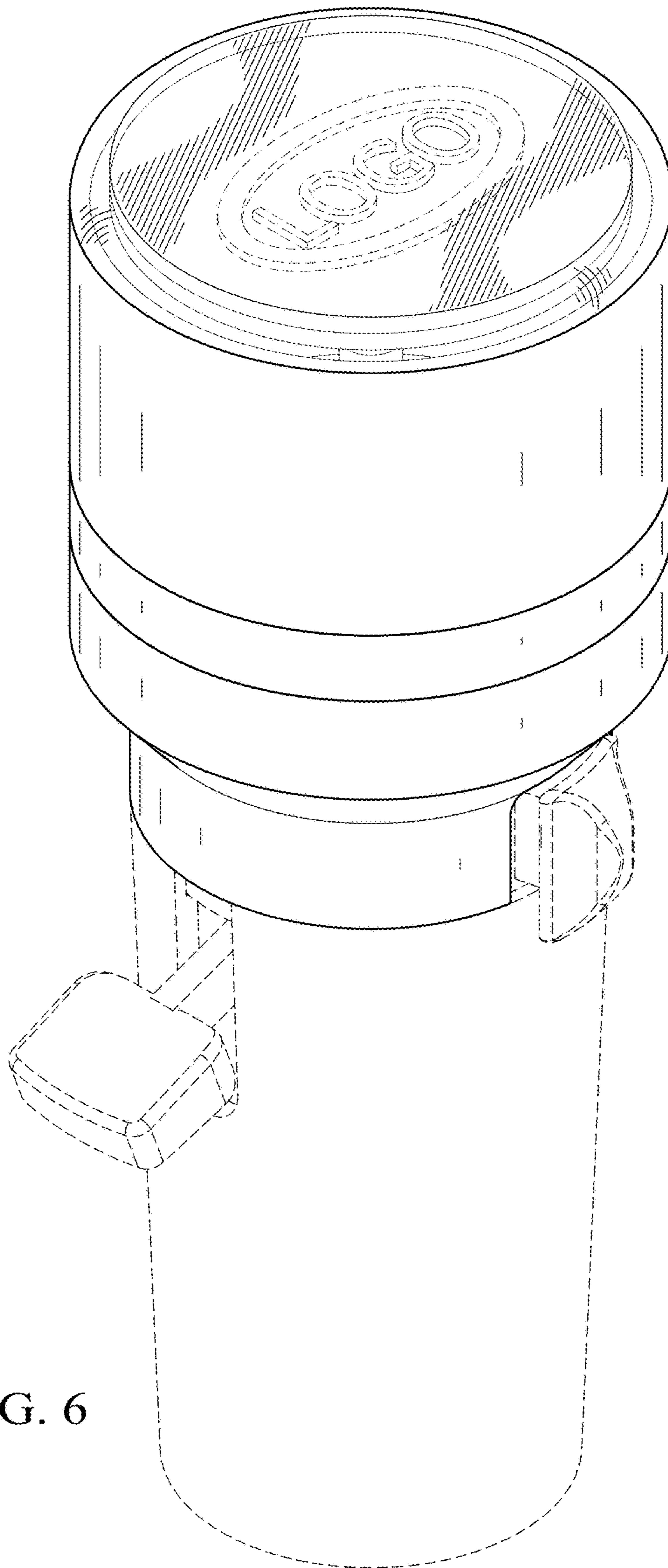


FIG. 6

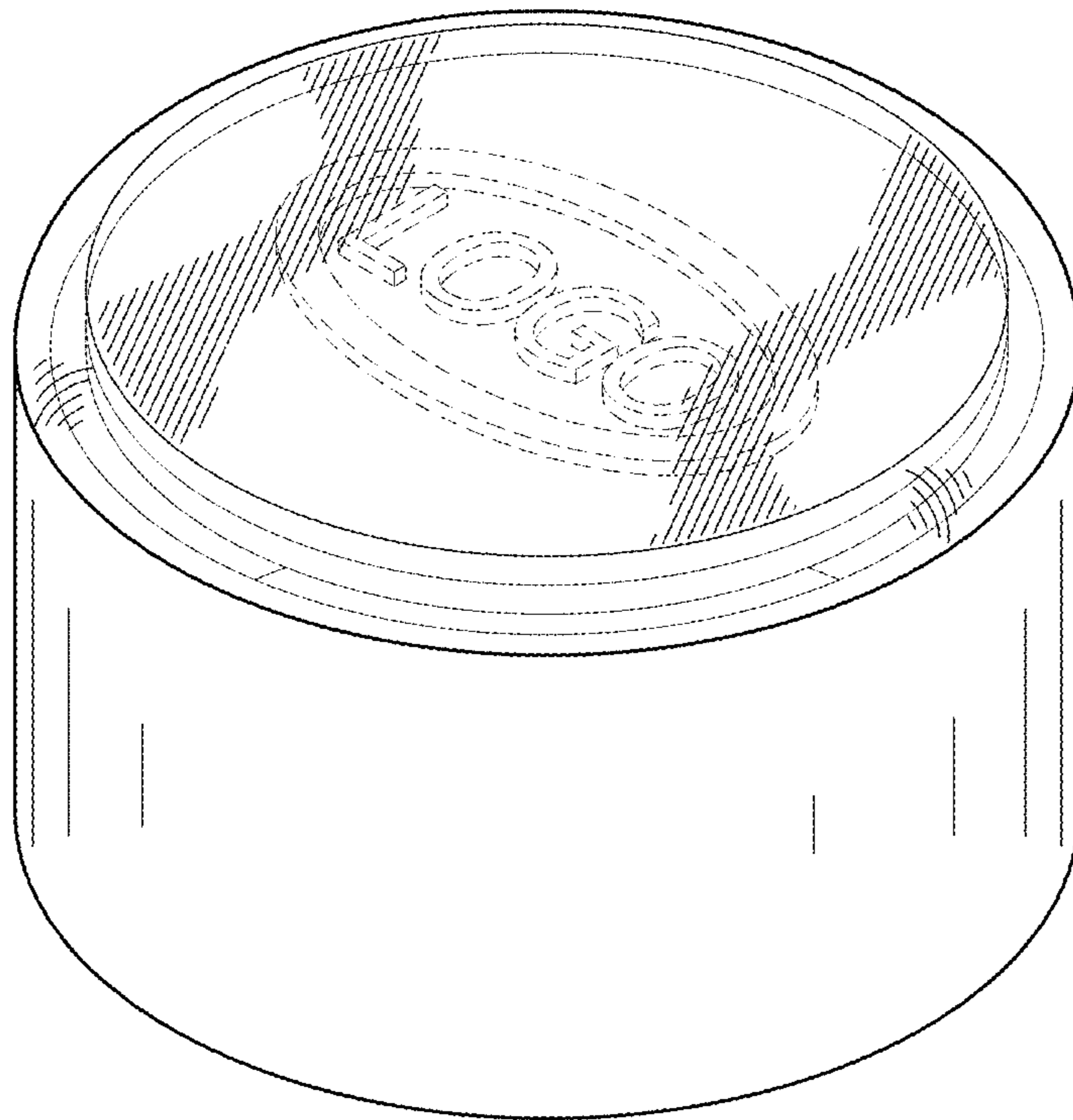


FIG. 7

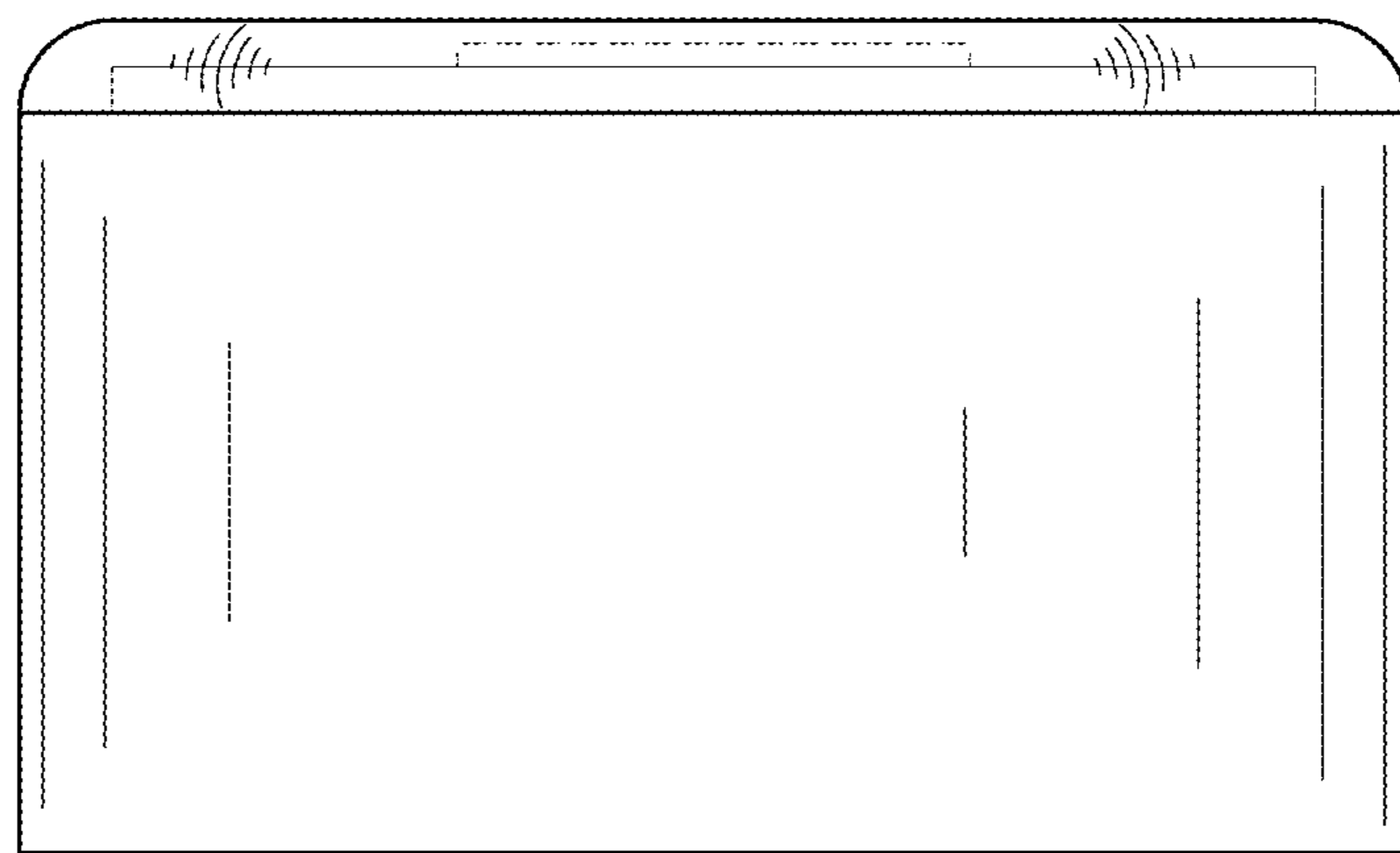


FIG. 8

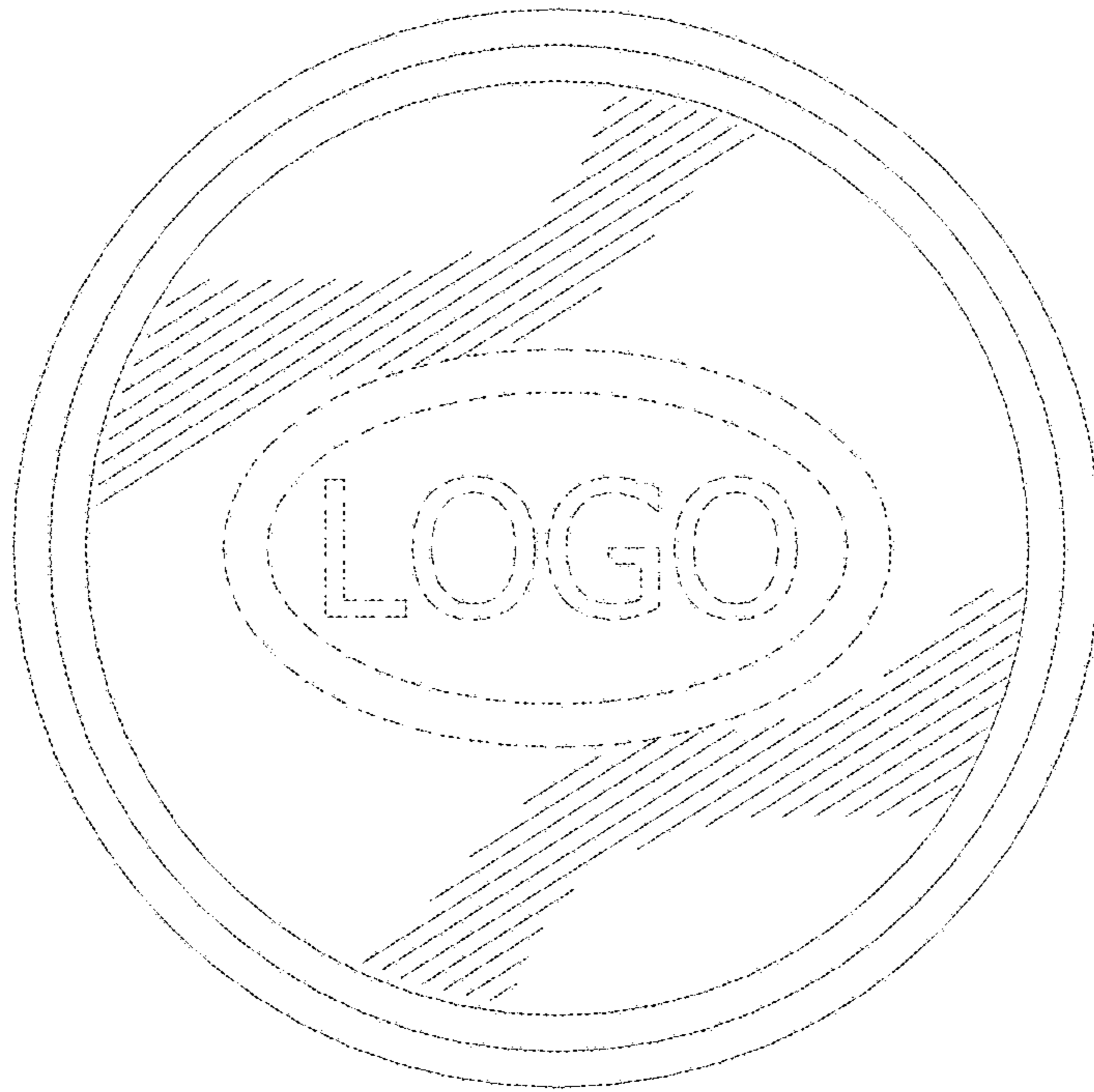


FIG. 9

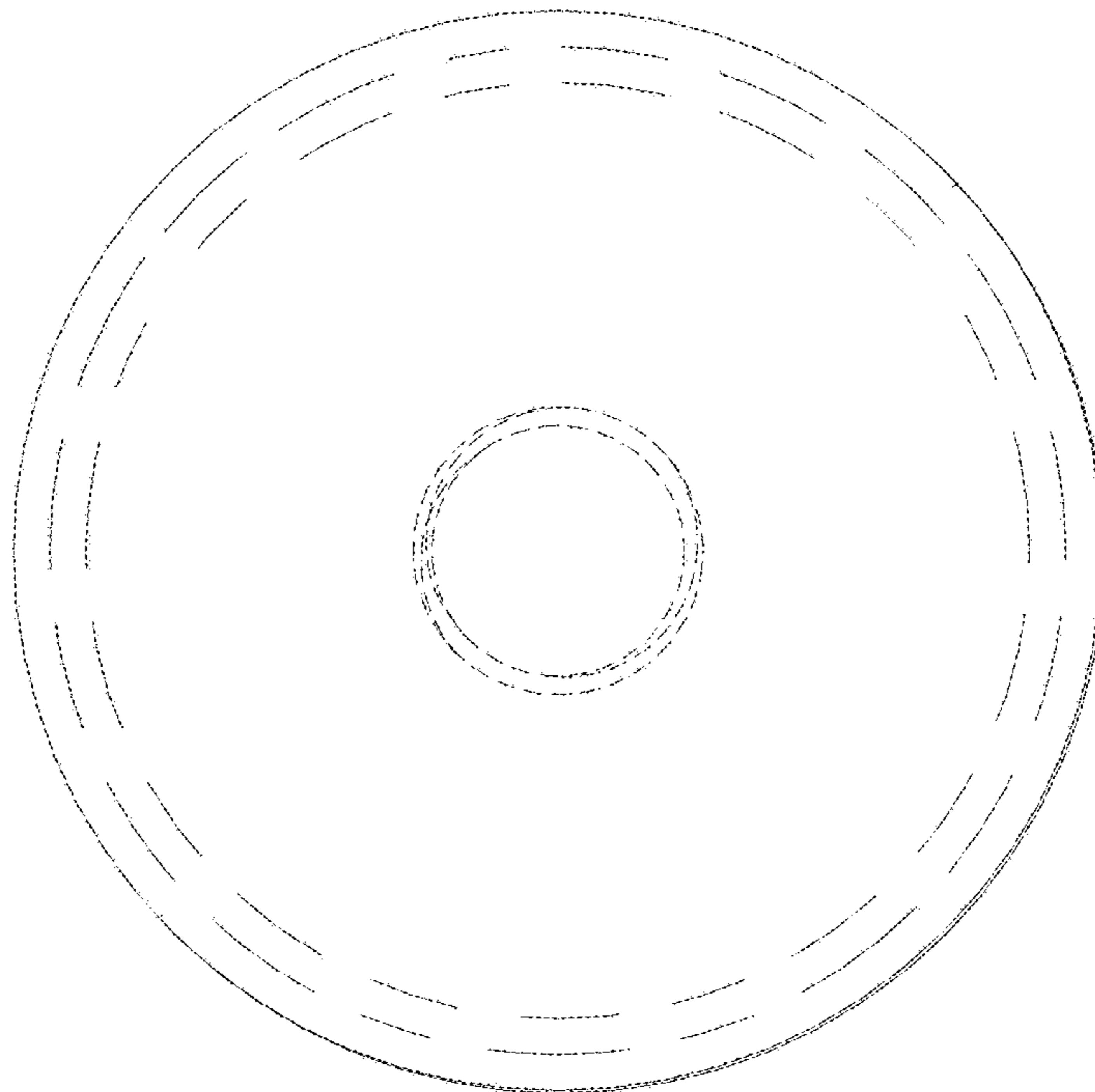


FIG. 10

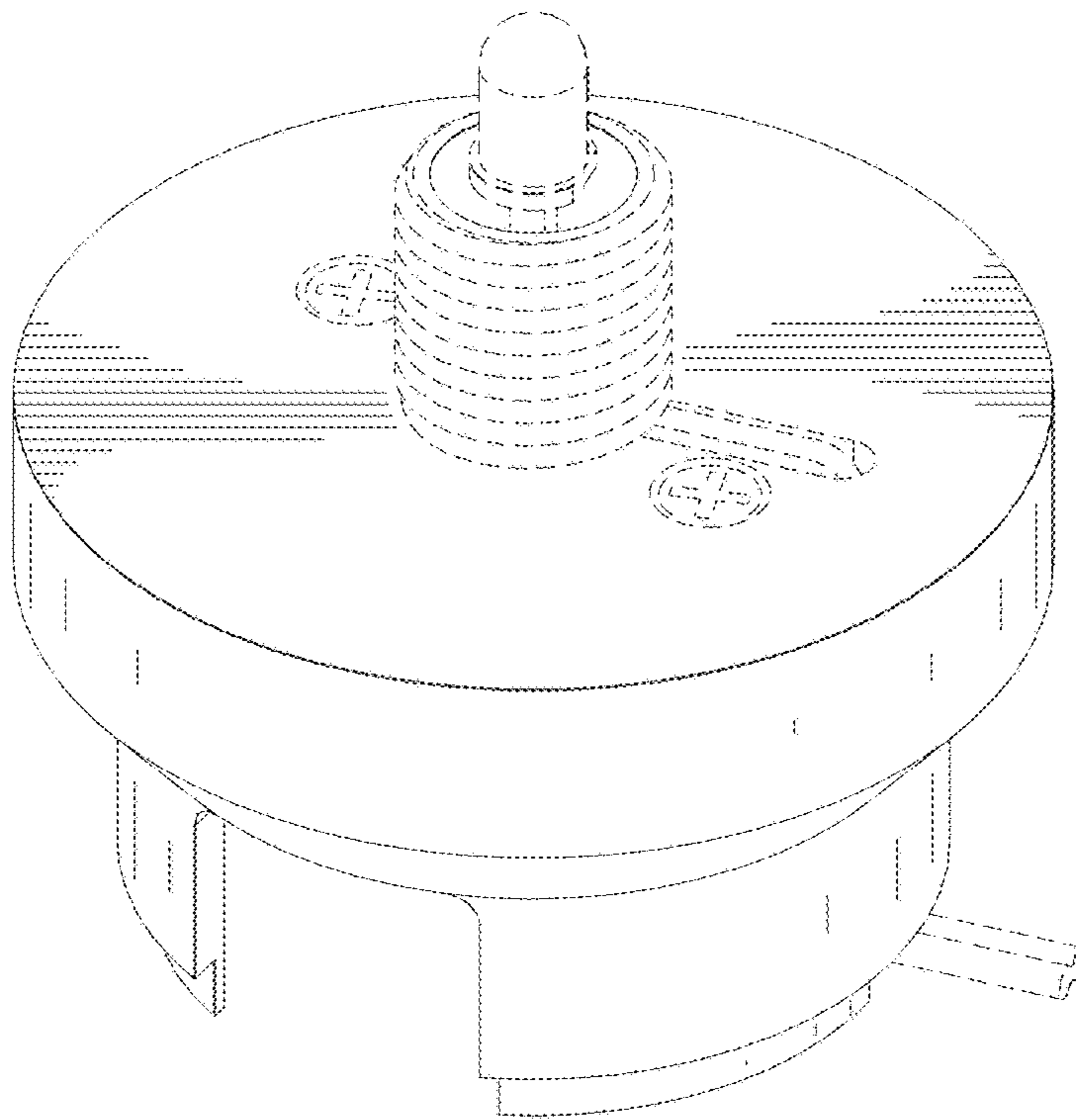


FIG. 11

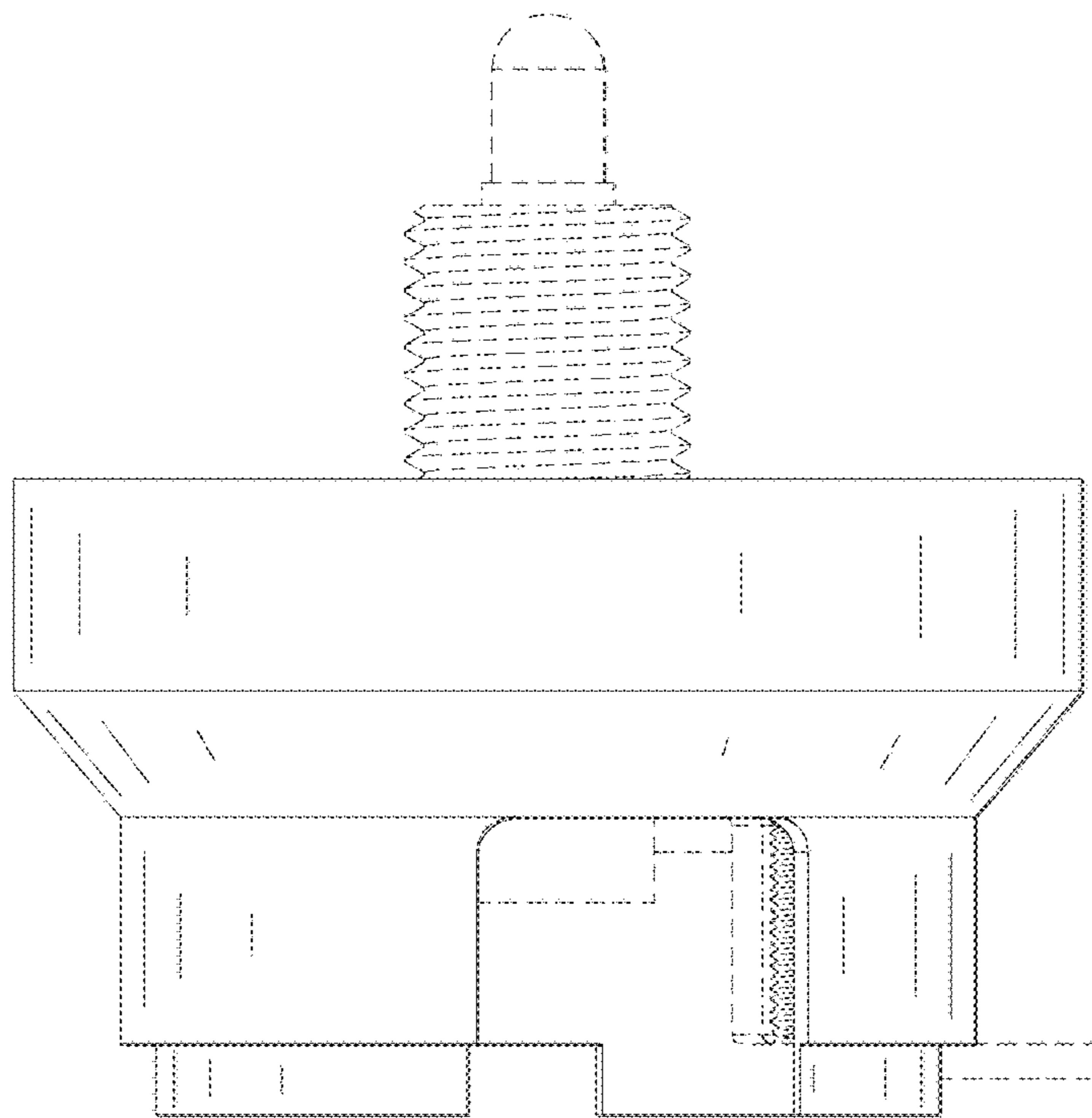


FIG. 12

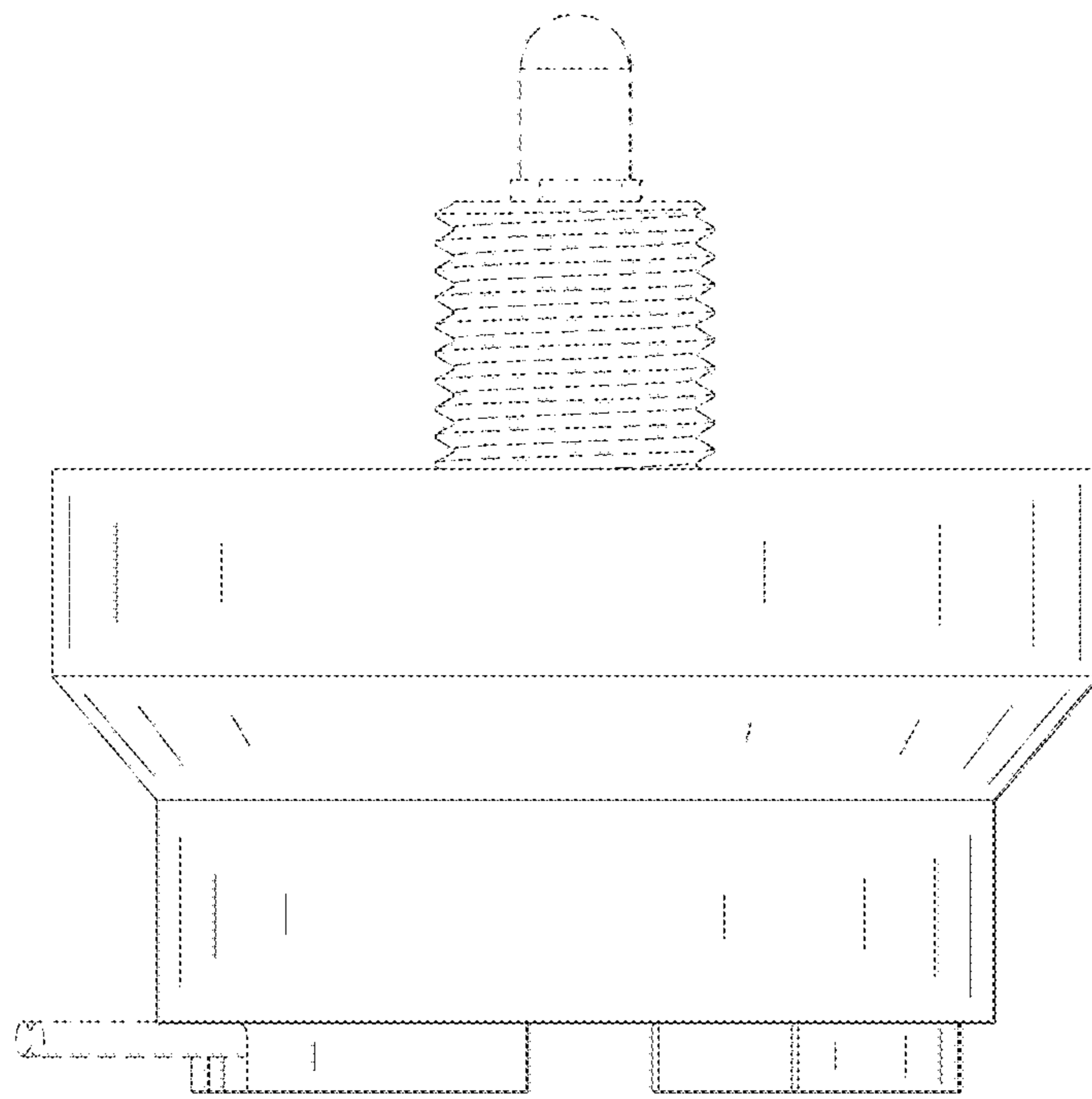


FIG. 13

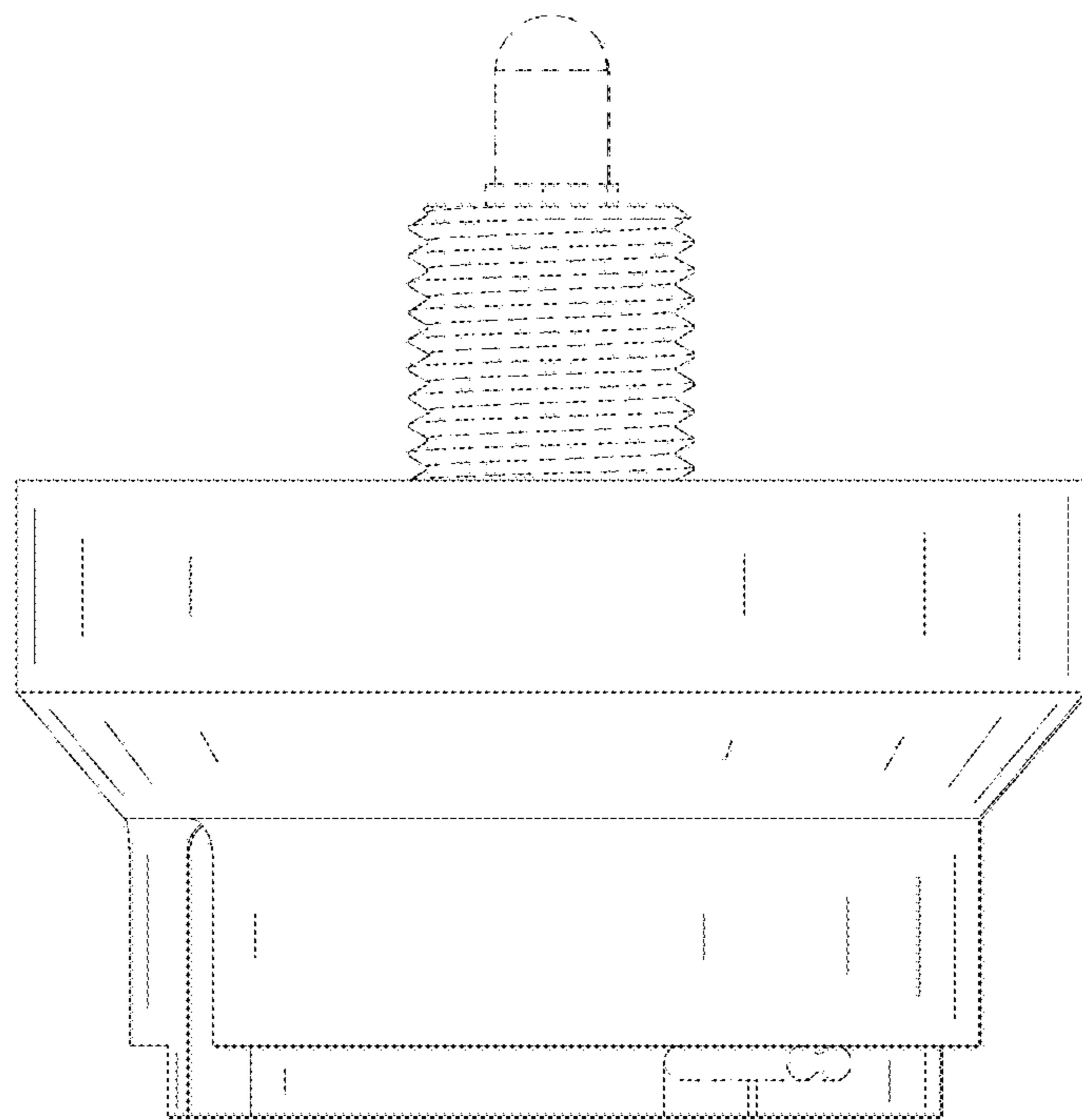


FIG. 14

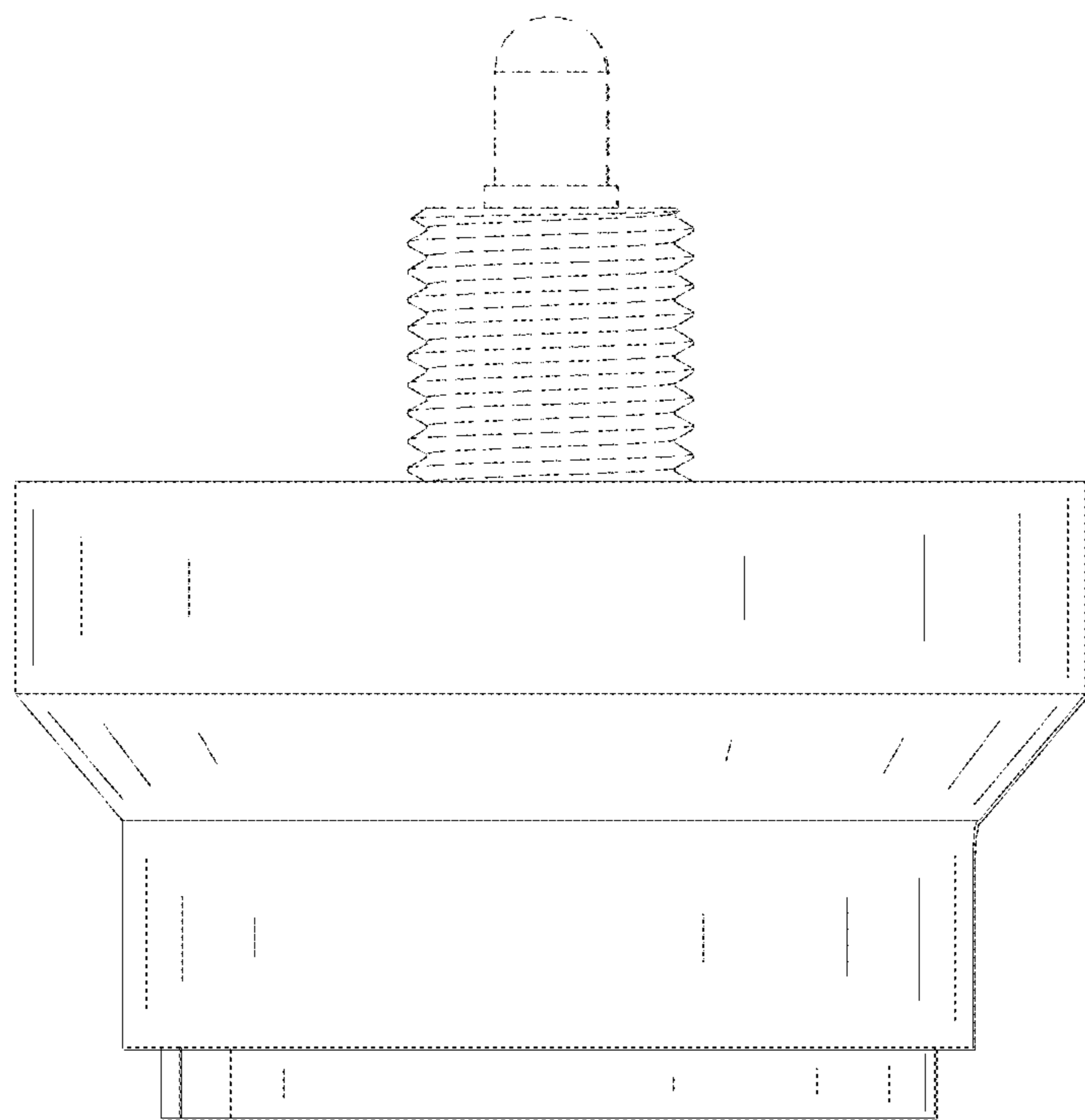


FIG. 15

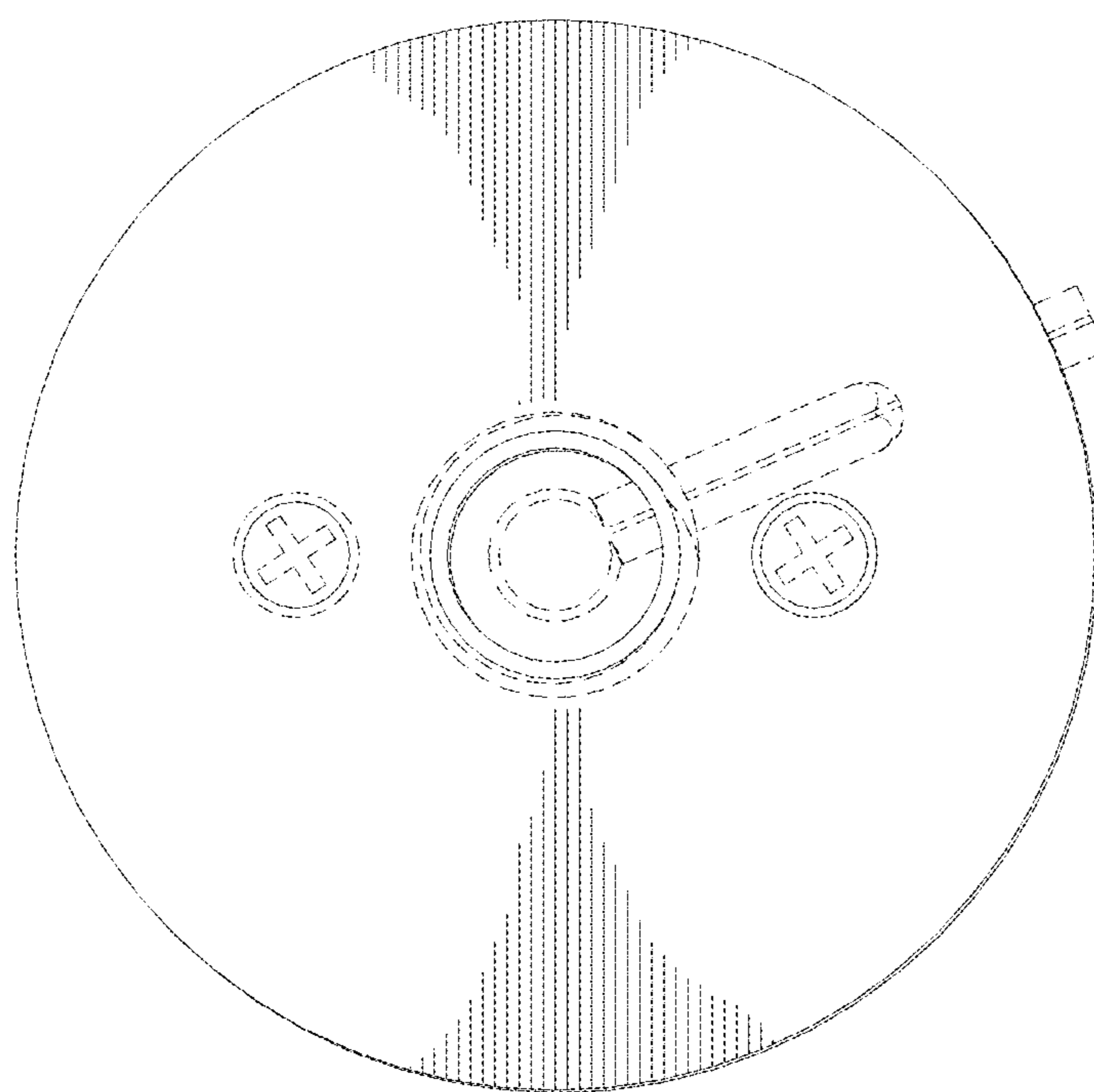


FIG. 16

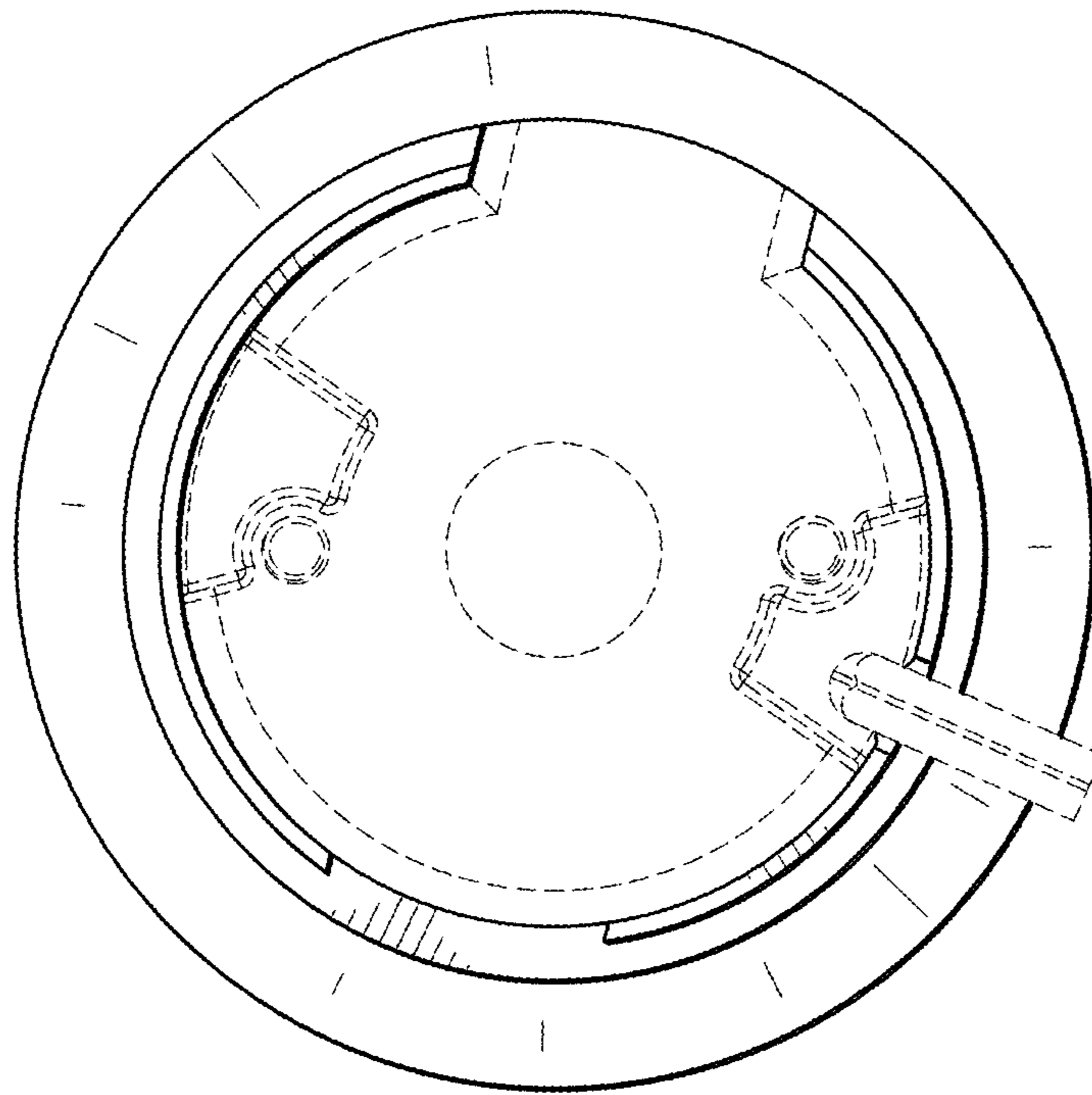


FIG. 17