



US00D822558S

(12) **United States Design Patent**
Kim et al.

(10) **Patent No.:** **US D822,558 S**

(45) **Date of Patent:** **** Jul. 10, 2018**

(54) **BUMPER FOR VEHICLES**

(71) Applicant: **HYUNDAI MOTOR COMPANY,**
Seoul (KR)

(72) Inventors: **Tae-Hyung Kim,** Incheon (KR);
Jun-Ho Kim, Uiwang-si (KR)

(**) Term: **15 Years**

(21) Appl. No.: **35/502,530**

(22) Filed: **Jan. 5, 2017**

(80) **Hague Agreement Data**

Int. Filing Date: **Jan. 5, 2017**

Int. Reg. No.: **DM/094829**

Int. Reg. Date: **Jan. 5, 2017**

Int. Reg. Pub. Date: **Mar. 3, 2017**

(51) **LOC (11) Cl.** **12-16**

(52) **U.S. Cl.**
USPC **D12/169**

(58) **Field of Classification Search**
USPC D12/169-172
See application file for complete search history.

(56) **References Cited**

U.S. PATENT DOCUMENTS

D776,010 S * 1/2017 La Vecchia D12/92
D789,851 S * 6/2017 Svensson D12/169

D792,297 S * 7/2017 Komuro D12/169
D793,925 S * 8/2017 Park D12/169
D796,396 S * 9/2017 Badstuebner D12/169
D800,029 S * 10/2017 Jung D12/169
D800,035 S * 10/2017 Takamatsu D12/169
D801,240 S * 10/2017 Yang D12/169
D801,241 S * 10/2017 Park D12/169
D801,887 S * 11/2017 Peat D12/169
D801,891 S * 11/2017 Scheinhutte D12/169
D803,112 S * 11/2017 Tomita D12/169
D806,618 S * 1/2018 Lesnik D12/169

* cited by examiner

Primary Examiner — Michael A. Pratt

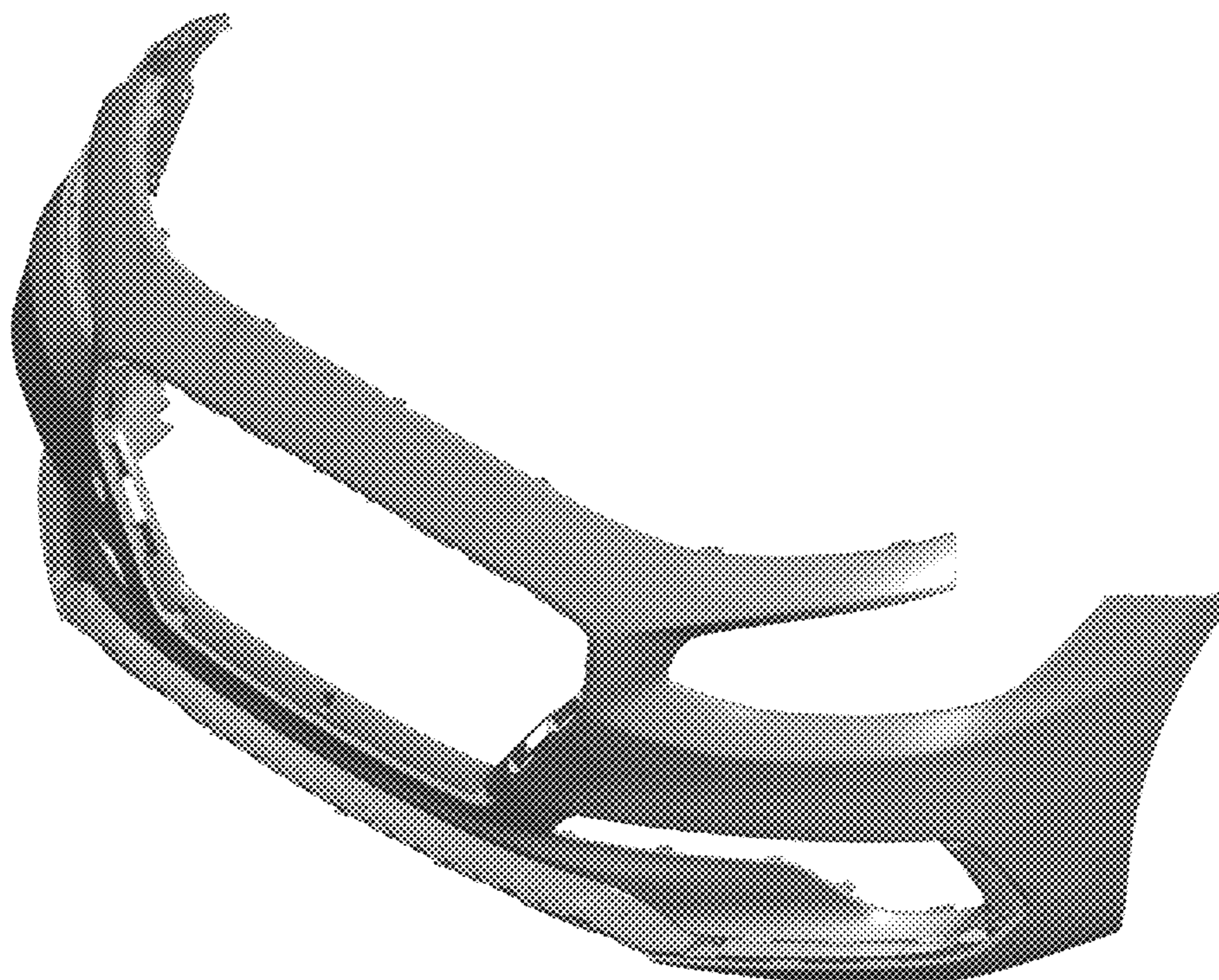
(57) **CLAIM**

The ornamental design for a bumper for vehicles, as shown and described.

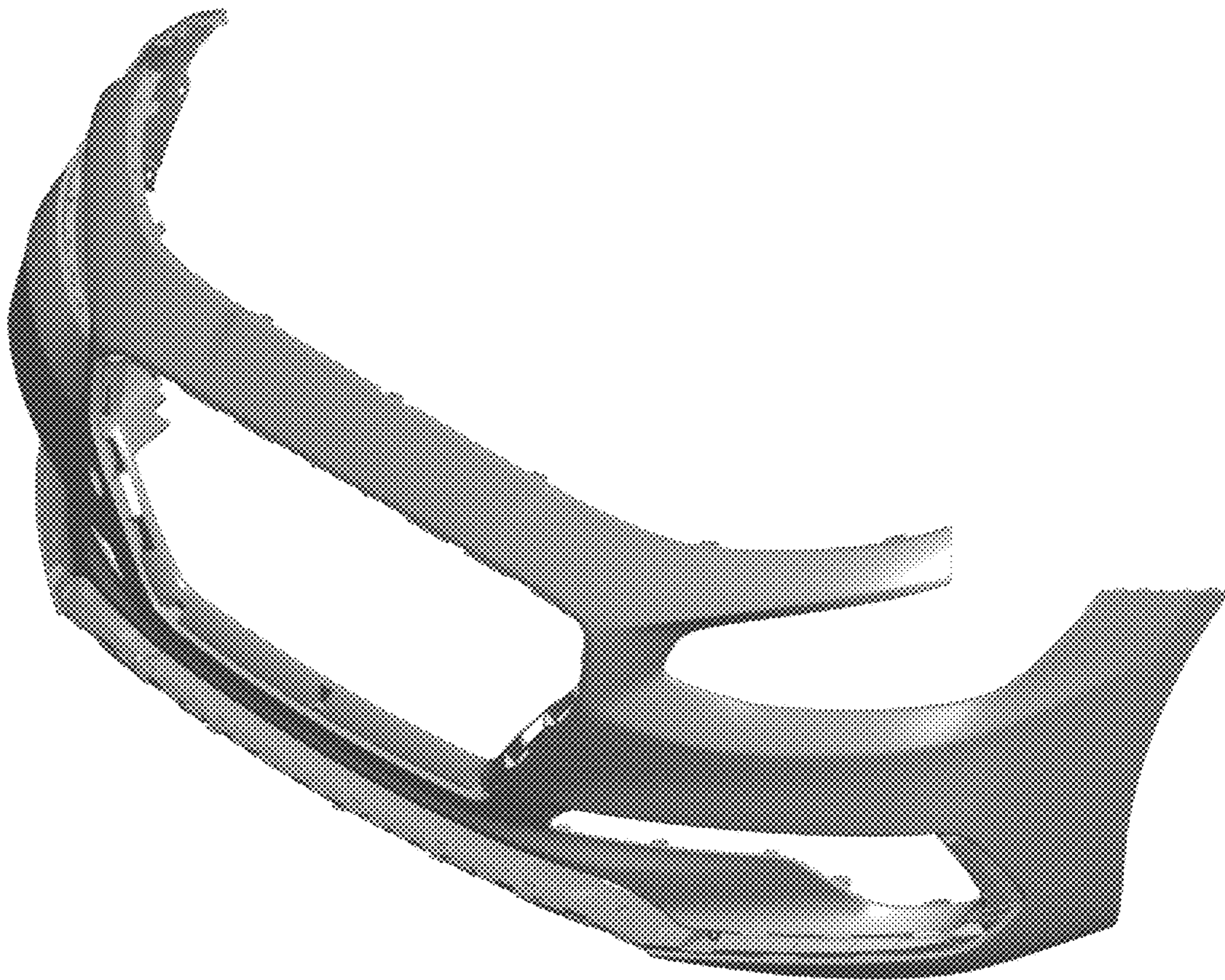
DESCRIPTION

- 1. Bumper for vehicles
- 1.1 : Perspective
- 1.2 : Front
- 1.3 : Back
- 1.4 : Left
- 1.5 : Right
- 1.6 : Top
- 1.7 : Bottom

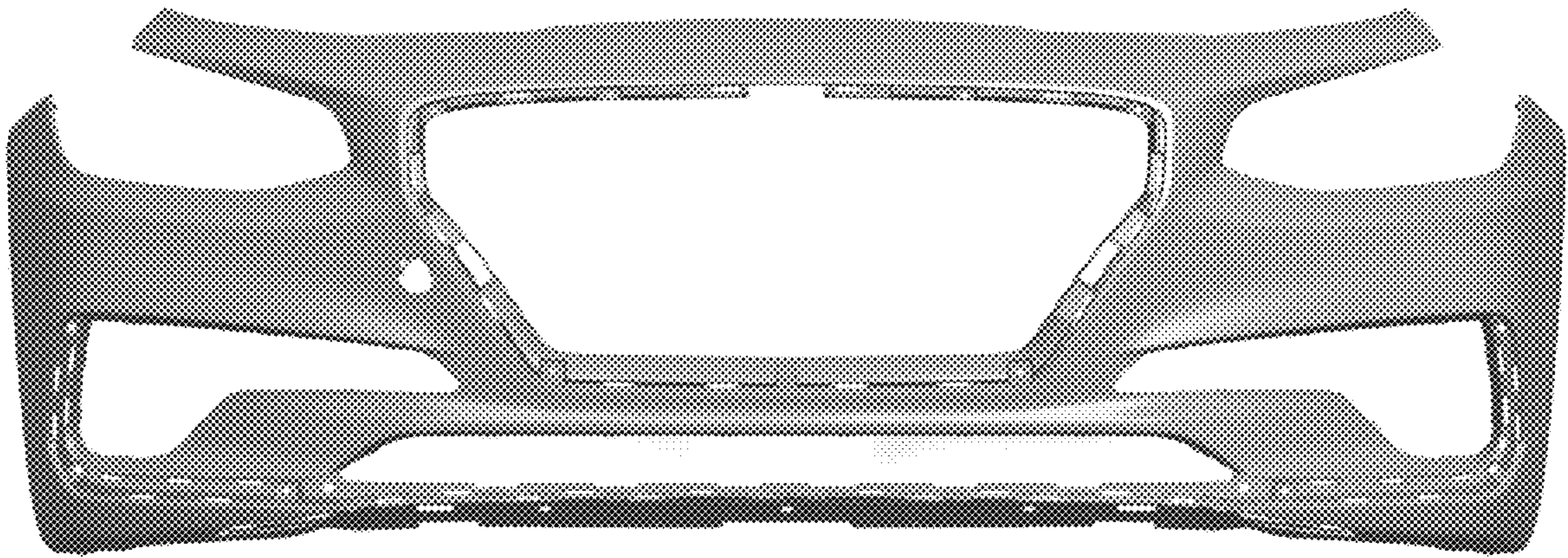
1 Claim, 7 Drawing Sheets



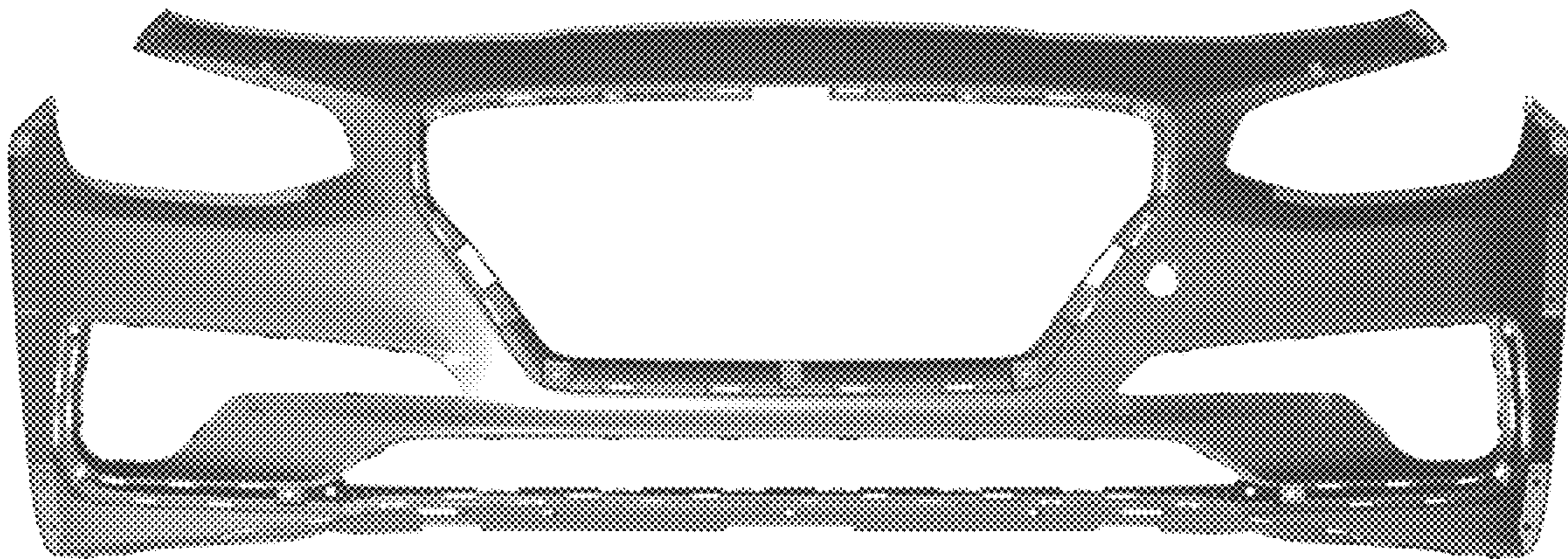
1.1



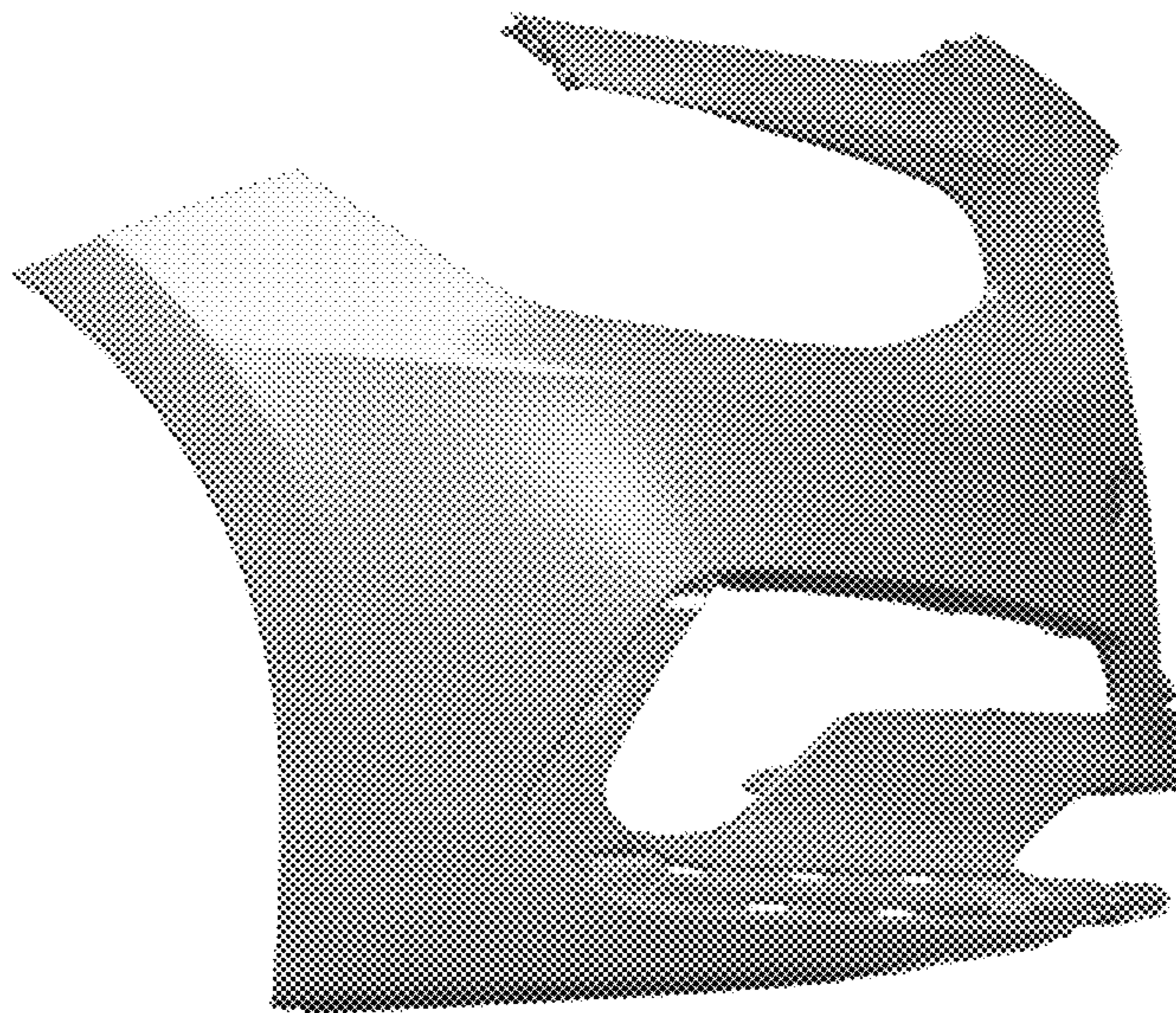
1.2



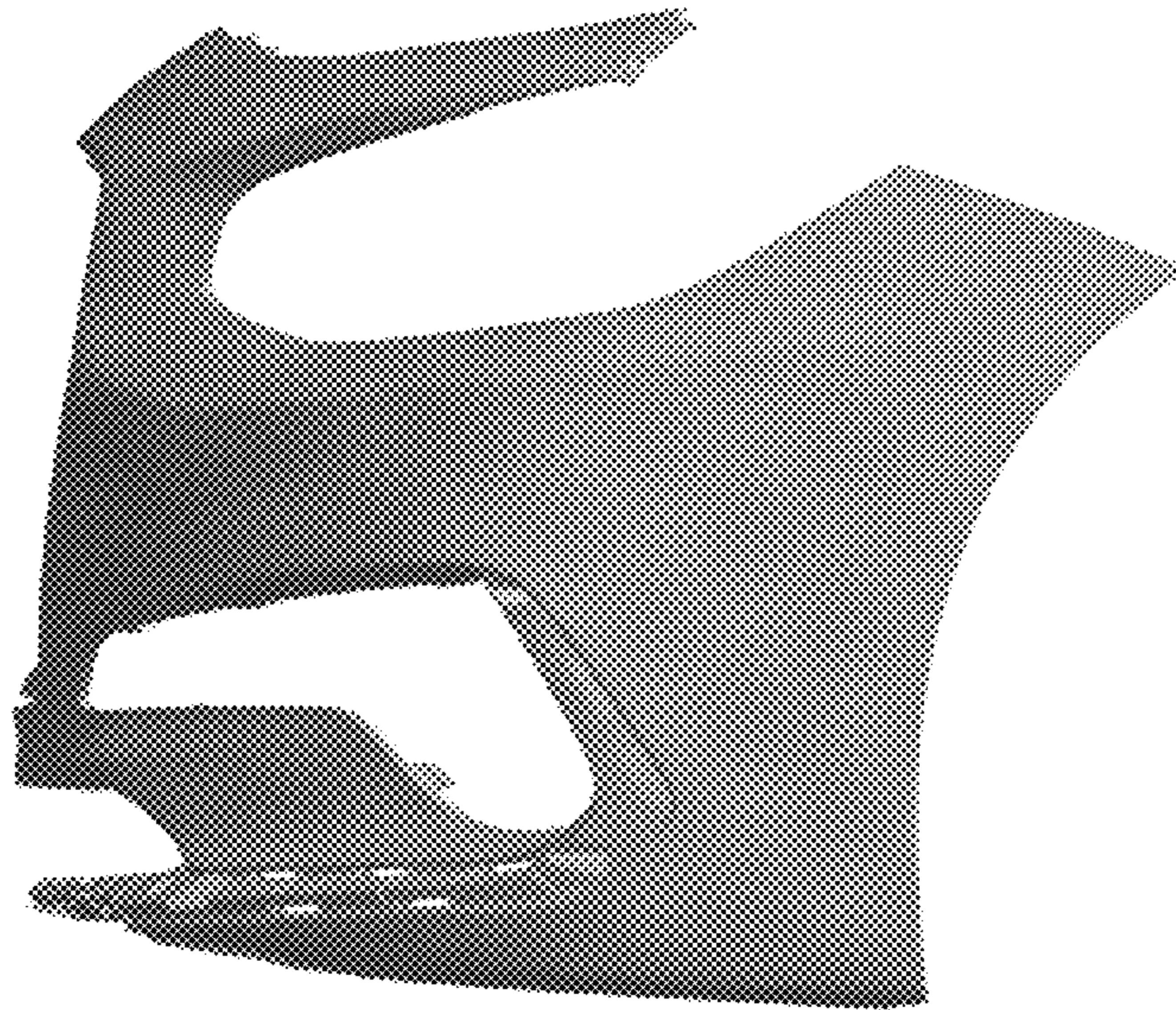
1.3



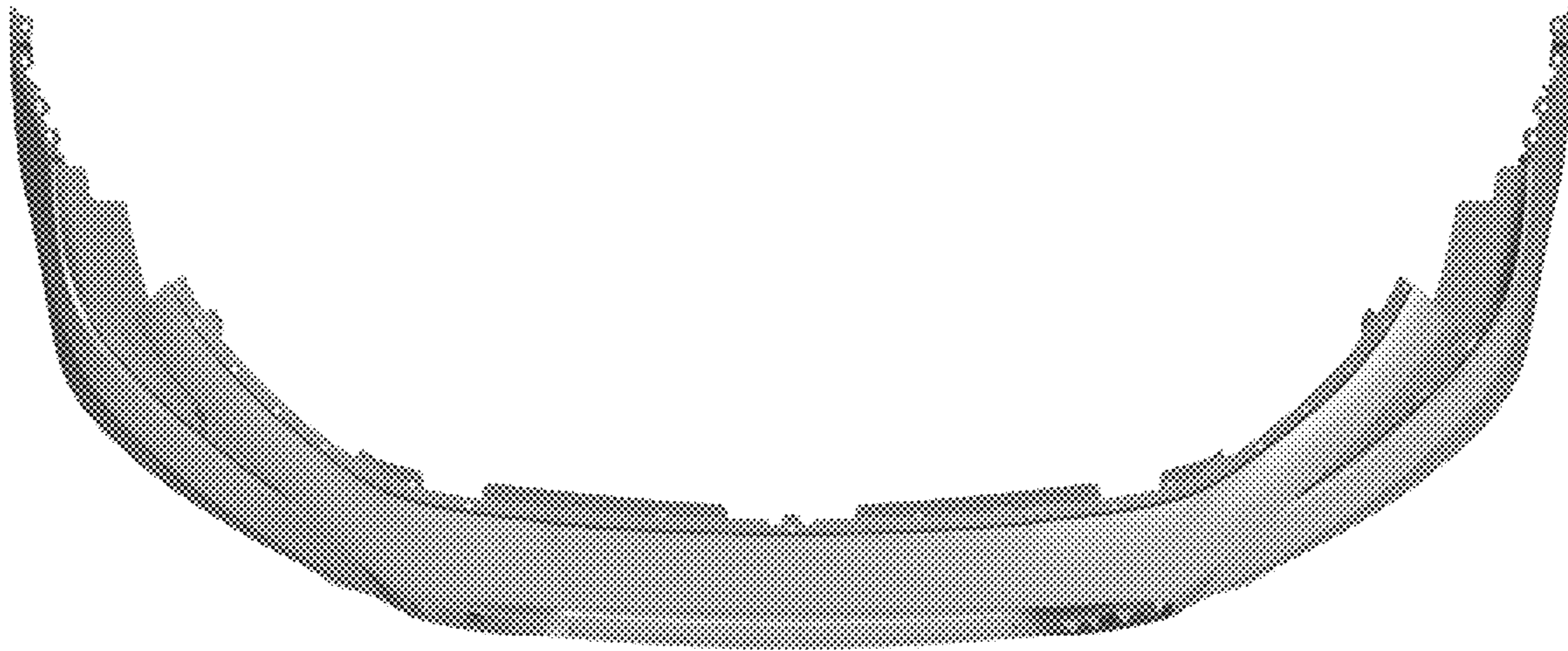
1.4



1.5



1.6



1.7

