



US00D822551S

(12) **United States Design Patent**
McMahan et al.

(10) **Patent No.:** **US D822,551 S**
(45) **Date of Patent:** **** Jul. 10, 2018**

- (54) **VEHICLE REAR FASCIA**
- (71) Applicant: **GM GLOBAL TECHNOLOGY OPERATIONS LLC**, Detroit, MI (US)
- (72) Inventors: **Robert B. McMahan**, Bloomfield Hills, MI (US); **Reginald M. Gay**, Southfield, MI (US)
- (73) Assignee: **GM Global Technology Operations LLC**, Detroit, MI (US)
- (**) Term: **15 Years**
- (21) Appl. No.: **29/586,872**
- (22) Filed: **Dec. 7, 2016**
- (51) **LOC (11) Cl.** **12-16**
- (52) **U.S. Cl.**
USPC **D12/169**
- (58) **Field of Classification Search**
USPC D12/86, 90, 91, 92, 163, 169, 171, 196, D12/216
CPC B60R 19/02; B60R 19/04; B62D 25/00; B62D 25/06; B62D 25/08; B62D 35/00; A45C 13/08; A45F 5/10
See application file for complete search history.

- D604,203 S 11/2009 O'Donnell
- D605,082 S 12/2009 Munson
- D605,083 S 12/2009 Manoogian, II et al.
- D605,977 S 12/2009 Zipfel et al.
- D605,978 S 12/2009 Wolff et al.
- D608,249 S 1/2010 Peters
- D608,690 S 1/2010 Folden et al.
- D608,691 S 1/2010 Zak, Jr. et al.
- D609,608 S 2/2010 Boniface et al.
- D611,387 S 3/2010 Thompson et al.
- D611,879 S 3/2010 Kim et al.
- D612,297 S 3/2010 Peters et al.
- D613,645 S 4/2010 Song et al.
- D615,458 S 5/2010 Thompson et al.
- D618,595 S 6/2010 Ware et al.
- D623,090 S 9/2010 Cox et al.
- D626,042 S * 10/2010 Yamazaki D12/169
- D627,262 S 11/2010 Ikeda et al.
- D635,488 S 4/2011 Phipps
- D644,147 S 8/2011 Suh et al.
- D644,567 S 9/2011 Kozub

(Continued)

Primary Examiner — Susan Bennett Hattan
Assistant Examiner — Suzanne E Tisdell
(74) *Attorney, Agent, or Firm* — Reising Ethington P.C.

(57) **CLAIM**

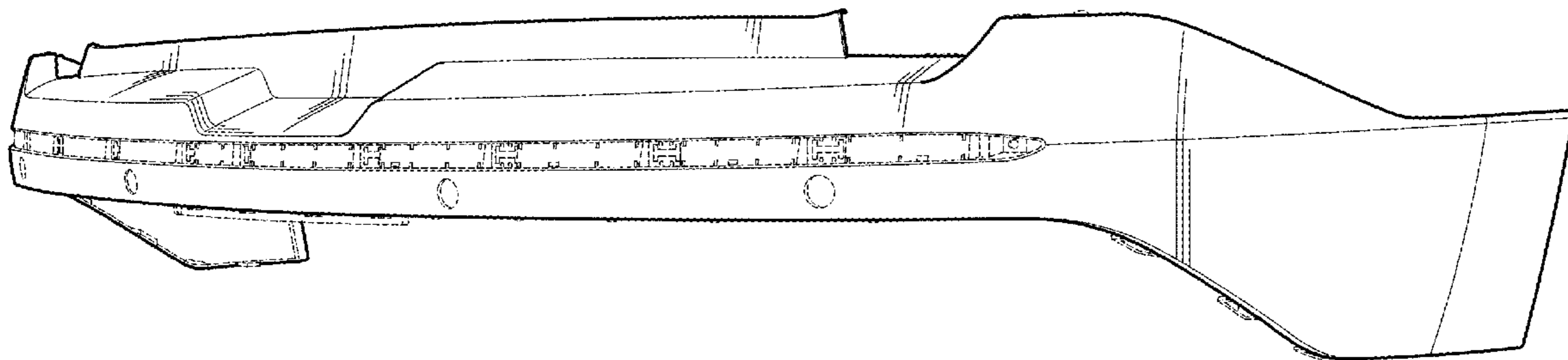
The ornamental design for a vehicle rear fascia, as shown and described.

DESCRIPTION

FIG. 1 is a perspective view of the vehicle rear fascia; FIG. 2 is a front view thereof; FIG. 3 is a left side view thereof (where the right side view is omitted since the right side view is substantially a mirror image of the left side view); and, FIG. 4 is a top view thereof. The broken lines shown in the drawings depict portions of the vehicle rear fascia that form no part of the claimed design.

1 Claim, 2 Drawing Sheets

- (56) **References Cited**
U.S. PATENT DOCUMENTS
- D528,051 S * 9/2006 Fukui D12/169
- D537,389 S * 2/2007 Beigel D12/169
- D540,722 S * 4/2007 Angelo D12/169
- D570,742 S 6/2008 Takagi et al.
- D584,199 S * 1/2009 Leclercq D12/169
- D592,105 S 5/2009 Dean et al.
- D597,447 S 8/2009 Folden
- D598,827 S * 8/2009 Kanai D12/169
- D600,595 S 9/2009 Nakamura et al.
- D601,925 S 10/2009 O'Donnell
- D603,755 S 11/2009 Peters



(56)

References Cited

U.S. PATENT DOCUMENTS

D657,718 S	4/2012	Zipfel et al.	
D659,052 S	5/2012	Ware et al.	
D659,053 S	5/2012	Ware et al.	
D668,182 S	10/2012	Barba Franco et al.	
D668,183 S	10/2012	Smart	
D678,820 S	3/2013	Son et al.	
D678,821 S	3/2013	Ikeda et al.	
D680,479 S	* 4/2013	Frei	D12/169
D680,909 S	4/2013	Munson et al.	
D680,910 S	4/2013	David	
D684,899 S	6/2013	Baker	
D686,536 S	7/2013	McCabe et al.	
D687,752 S	* 8/2013	Fetherston	D12/169
D688,989 S	* 9/2013	Minamisawa	D12/169
D692,798 S	11/2013	Thurber	
D692,799 S	11/2013	Smith et al.	
D696,157 S	12/2013	Loeb	
D699,629 S	2/2014	Ikeda et al.	
D700,871 S	3/2014	O'Donnell et al.	
D702,161 S	* 4/2014	Hanaoka	D12/169
D703,103 S	4/2014	Lee	
D704,103 S	5/2014	Mack et al.	
D705,132 S	5/2014	Ware et al.	
D705,699 S	5/2014	Ware et al.	
D712,322 S	* 9/2014	Kobayashi	D12/169
D713,298 S	9/2014	Dyson	
D713,764 S	9/2014	Ferlazzo et al.	
D716,696 S	11/2014	Thole et al.	
D716,706 S	11/2014	Thole et al.	
D716,709 S	11/2014	Thole et al.	
D717,696 S	11/2014	Thole et al.	
D718,189 S	11/2014	Krieg et al.	
D718,683 S	12/2014	Thole et al.	
D721,305 S	* 1/2015	George	D12/169
D721,306 S	* 1/2015	George	D12/169
D722,282 S	2/2015	Loeb	
D722,533 S	2/2015	Thole et al.	
D722,534 S	2/2015	Munson et al.	
D722,926 S	* 2/2015	Kato	D12/169
D723,435 S	* 3/2015	Thole	D12/169
D724,510 S	3/2015	McMahan et al.	
D725,001 S	3/2015	McMahan et al.	
D726,591 S	4/2015	Jacob	
D726,602 S	* 4/2015	Rupar	D12/169
D729,707 S	* 5/2015	Thole	D12/169
D730,776 S	6/2015	Smart	
D730,783 S	6/2015	Henriques et al.	
D732,427 S	6/2015	Loeb	
D732,429 S	6/2015	Loeb	
D732,430 S	6/2015	Loeb	
D732,431 S	6/2015	Loeb	
D732,432 S	6/2015	Aengenheyster	
D732,433 S	6/2015	Aengenheyster	
D732,435 S	6/2015	Mackay	
D733,002 S	6/2015	Loeb	
D735,611 S	8/2015	Aengenheyster	
D735,627 S	8/2015	Smith	
D736,451 S	8/2015	Smith	
D739,306 S	9/2015	McMahan et al.	
D739,317 S	9/2015	McMahan et al.	
D741,223 S	10/2015	Kim et al.	
D743,309 S	11/2015	Thole et al.	
D743,313 S	11/2015	Smith et al.	
D743,314 S	11/2015	Thole et al.	
D743,857 S	11/2015	McMahan et al.	
D744,158 S	11/2015	Willett et al.	
D745,086 S	12/2015	Finos et al.	
D745,719 S	12/2015	Boniface et al.	
D745,725 S	12/2015	McMahan et al.	
D745,726 S	12/2015	McMahan et al.	
D745,837 S	12/2015	Smith et al.	
D746,726 S	1/2016	Smith et al.	
D746,727 S	1/2016	Smith et al.	
D746,728 S	1/2016	Smith et al.	
D746,729 S	1/2016	Boniface et al.	
D746,730 S	1/2016	Kim et al.	
D747,514 S	1/2016	McMahan et al.	
D747,515 S	1/2016	McMahan et al.	
D747,819 S	1/2016	Thole et al.	
D749,021 S	2/2016	Boniface et al.	
D749,026 S	2/2016	Smith et al.	
D749,027 S	2/2016	McMahan et al.	
D749,246 S	2/2016	Thole et al.	
D749,249 S	2/2016	Thole et al.	
D749,250 S	2/2016	Thole et al.	
D749,985 S	2/2016	Kozub et al.	
D749,997 S	2/2016	McMahan et al.	
D750,001 S	2/2016	Thole et al.	
D750,539 S	* 3/2016	Iwauchi	D12/169
D753,032 S	4/2016	Smith et al.	
D753,033 S	4/2016	Thole et al.	
D753,034 S	4/2016	Thole et al.	
D753,035 S	4/2016	Boniface et al.	
D753,559 S	4/2016	McMahan et al.	
D753,560 S	4/2016	McMahan et al.	
D753,567 S	4/2016	Boniface et al.	
D754,571 S	4/2016	Boniface et al.	
D754,572 S	4/2016	McMahan et al.	
D755,088 S	5/2016	McMahan et al.	
D756,869 S	5/2016	McMahan et al.	
D758,271 S	6/2016	McMahan et al.	
D762,532 S	* 8/2016	Tsutamori	D12/169
D764,975 S	* 8/2016	Aengenheyster	D12/91
D767,449 S	9/2016	Pevovar et al.	
D767,450 S	9/2016	Lee et al.	
D767,451 S	9/2016	Kozub et al.	
D767,454 S	9/2016	McMahan et al.	
D767,458 S	9/2016	Kim	
D767,459 S	9/2016	Kim	
D767,460 S	9/2016	Kozub et al.	
D767,461 S	9/2016	Kozub et al.	
D771,528 S	11/2016	Smith et al.	
D771,529 S	11/2016	Thole et al.	
D771,532 S	11/2016	Kapitonov	
D771,533 S	11/2016	Kapitonov	
D772,766 S	11/2016	Kozub et al.	
D772,767 S	11/2016	Kim	
D773,084 S	11/2016	Kapitonov	
D773,086 S	11/2016	McCabe et al.	
D774,428 S	* 12/2016	Davidson	D12/169
D786,149 S	* 5/2017	Pevovar	D12/169
D788,657 S	* 6/2017	Oohashi	D12/169
D792,297 S	* 7/2017	Komuro	D12/169
D792,815 S	* 7/2017	Kozub	D12/169
D792,816 S	* 7/2017	Kozub	D12/169
D793,296 S	* 8/2017	Smith	D12/169
D793,921 S	* 8/2017	Takamatsu	D12/169
D793,924 S	* 8/2017	Sagawa	D12/169
D797,019 S	* 9/2017	Yamashita	D12/169
D797,617 S	* 9/2017	Mori	D12/169
D797,618 S	* 9/2017	Suzuki	D12/169
D800,035 S	* 10/2017	Takamatsu	D12/169
D800,614 S	* 10/2017	Park	D12/169
D800,615 S	* 10/2017	Park	D12/169
D800,617 S	* 10/2017	Jang	D12/169
D801,237 S	* 10/2017	Jang	D12/169
D801,240 S	* 10/2017	Yang	D12/169
D801,882 S	* 11/2017	Kozub	D12/169
D801,885 S	* 11/2017	Melikian	D12/169
D802,499 S	* 11/2017	Choi	D12/169
D802,501 S	* 11/2017	Han	D12/169
D803,112 S	* 11/2017	Tomita	D12/169
D804,996 S	* 12/2017	Sahara	D12/91
D805,449 S	* 12/2017	Chung	D12/169
D806,618 S	* 1/2018	Lesnik	D12/169
D807,248 S	* 1/2018	Piscitelli	D12/169
D807,250 S	* 1/2018	Piscitelli	D12/169
D807,252 S	* 1/2018	Piscitelli	D12/169
D807,254 S	* 1/2018	Piscitelli	D12/169
D807,257 S	* 1/2018	Piscitelli	D12/169
D807,258 S	* 1/2018	Patel	D12/169

(56)

References Cited

U.S. PATENT DOCUMENTS

2004/0032133 A1* 2/2004 Bird B60R 19/04
293/154
2006/0249961 A1* 11/2006 Flotzinger B60R 19/04
293/115
2006/0290169 A1* 12/2006 Fukushima B60Q 1/302
296/180.1

* cited by examiner

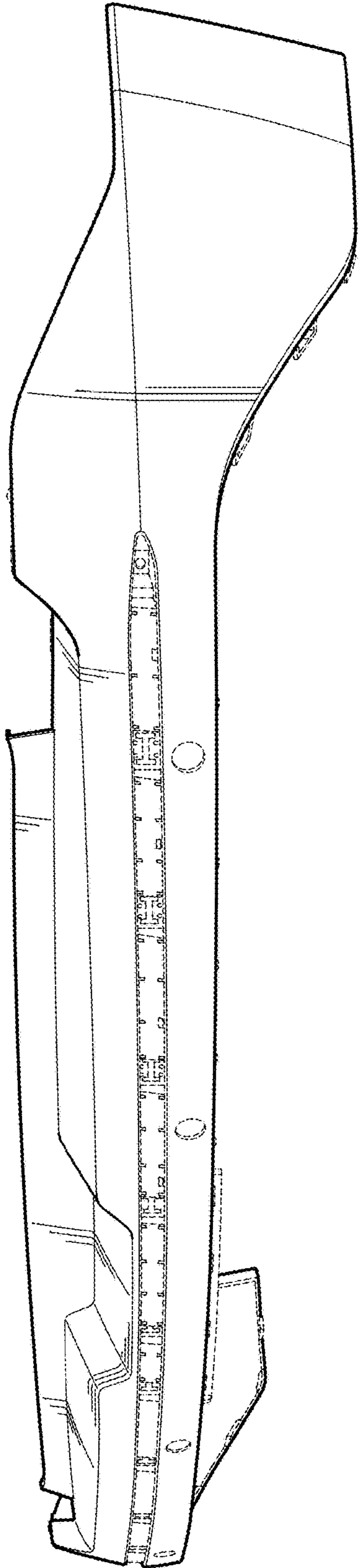


FIG. 1

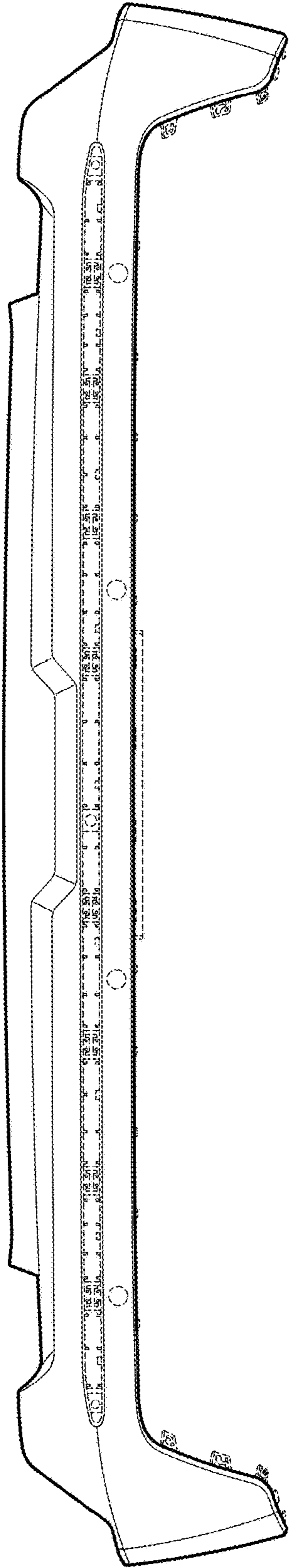


FIG. 2

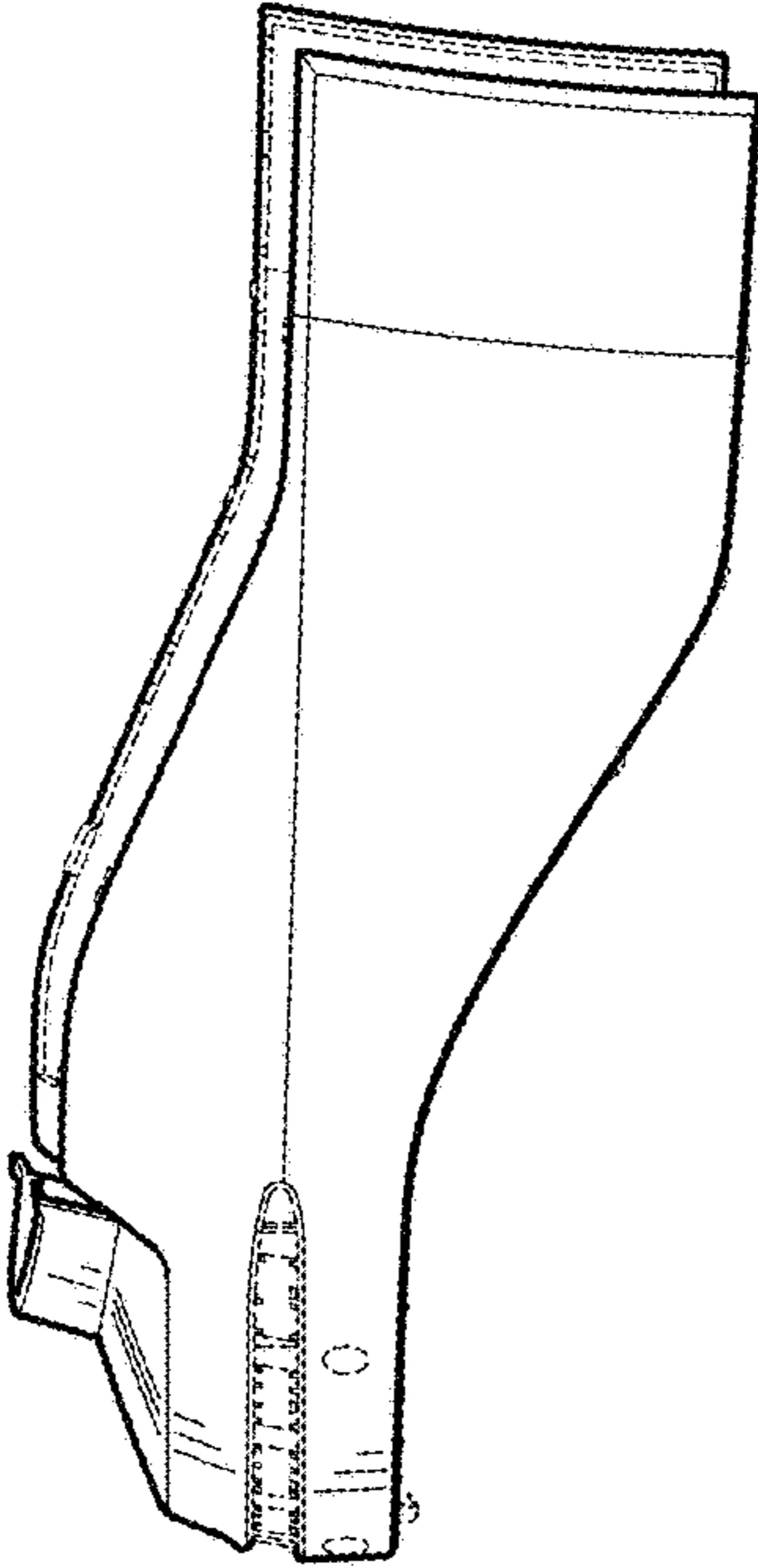


FIG. 3

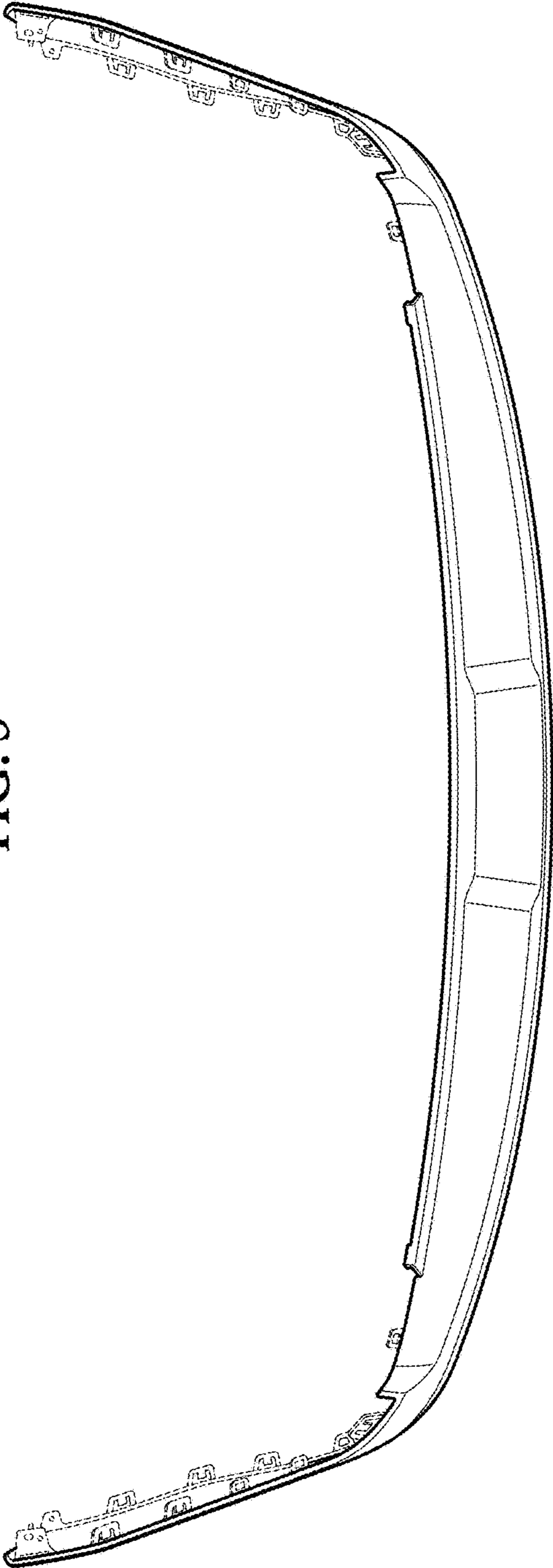


FIG. 4