

US00D822549S

(12) **United States Design Patent** (10) **Patent No.:** **US D822,549 S**  
**Platto et al.** (45) **Date of Patent:** **\*\* Jul. 10, 2018**

(54) **VEHICLE FRONT UPPER GRILLE**  
(71) Applicant: **Ford Global Technologies, LLC**,  
Dearborn, MI (US)  
(72) Inventors: **Gordon M. Platto**, Troy, MI (US);  
**Sean W. Tant**, Livonia, MI (US);  
**Anthony Meyer**, Ferndale, MI (US)  
(73) Assignee: **Ford Global Technologies, LLC**,  
Dearborn, MI (US)  
(\*\*) Term: **15 Years**  
(21) Appl. No.: **29/588,182**  
(22) Filed: **Dec. 19, 2016**  
(51) **LOC (11) Cl.** ..... **12-16**  
(52) **U.S. Cl.**  
USPC ..... **D12/163**  
(58) **Field of Classification Search**  
USPC ..... D12/86, 90, 91, 92, 163, 169, 171, 196,  
D12/216  
CPC ..... B60R 19/02; B60R 19/04; B62D 25/00;  
B62D 25/06; B62D 25/08; B62D 35/00  
See application file for complete search history.

D570,258 S \* 6/2008 Smith ..... D12/163  
D580,310 S \* 11/2008 Tant ..... D12/163  
D580,312 S \* 11/2008 Opfer ..... D12/163  
D585,796 S \* 2/2009 Nagasaka ..... D12/163  
D607,786 S \* 1/2010 Golden ..... D12/163  
D607,787 S \* 1/2010 Golden ..... D12/163  
D609,142 S \* 2/2010 Roller ..... D12/163  
D668,590 S \* 10/2012 Furst ..... D12/163  
D685,695 S \* 7/2013 Platto ..... D12/163  
D754,037 S \* 4/2016 Behmer ..... D12/163  
D769,159 S \* 10/2016 Platto ..... D12/163  
D769,160 S 10/2016 Platto  
D774,998 S \* 12/2016 Munakata ..... D12/163  
D781,188 S \* 3/2017 Wolff ..... D12/163  
D788,654 S \* 6/2017 Curic ..... D12/163  
D788,655 S \* 6/2017 Curic ..... D12/163  
D789,841 S \* 6/2017 Malczewski ..... D12/163  
D792,813 S \* 7/2017 Kozub ..... D12/163  
D794,517 S \* 8/2017 Woolley ..... D12/163

\* cited by examiner

*Primary Examiner* — Susan Bennett Hattan  
*Assistant Examiner* — Suzanne E Tisdell  
(74) *Attorney, Agent, or Firm* — James Dottavio

(57) **CLAIM**

The ornamental design for a vehicle front upper grille, as shown.

**DESCRIPTION**

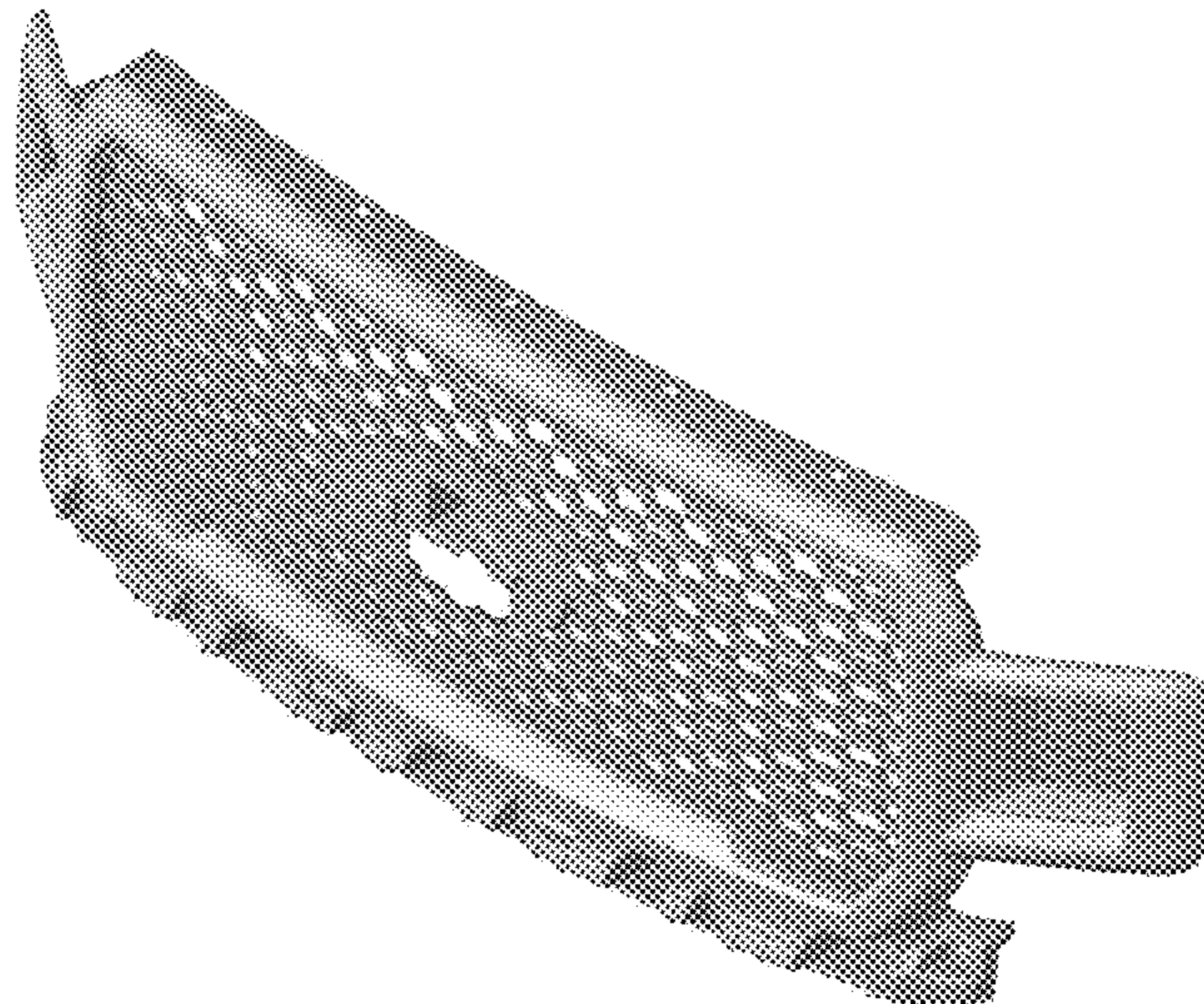
FIG. 1 is a top left perspective view of a vehicle front upper grille, showing our new design;  
FIG. 2 is a bottom left perspective view thereof;  
FIG. 3 is a top rear perspective view thereof;  
FIG. 4 is a front elevational view thereof;  
FIG. 5 is a rear elevational view thereof;  
FIG. 6 is a left side elevational view thereof;  
FIG. 7 is a right side elevational view thereof;  
FIG. 8 is a top plan view thereof; and,  
FIG. 9 is a bottom plan view thereof.

**1 Claim, 9 Drawing Sheets**

(56) **References Cited**

**U.S. PATENT DOCUMENTS**

D411,493 S \* 6/1999 Davis, Jr. .... D12/163  
D491,495 S \* 6/2004 Metros ..... D12/163  
D495,979 S \* 9/2004 Metros ..... D12/163  
D496,890 S \* 10/2004 Metros ..... D12/163  
D532,723 S \* 11/2006 Schiavone ..... D12/163  
D533,485 S \* 12/2006 Schiavone ..... D12/163  
D533,815 S \* 12/2006 Matei ..... D12/163  
D534,841 S \* 1/2007 Matei ..... D12/163  
D560,567 S \* 1/2008 Tant ..... D12/163  
D560,568 S \* 1/2008 Tant ..... D12/163  
D561,655 S \* 2/2008 Ellis ..... D12/163  
D561,656 S \* 2/2008 Ellis ..... D12/163





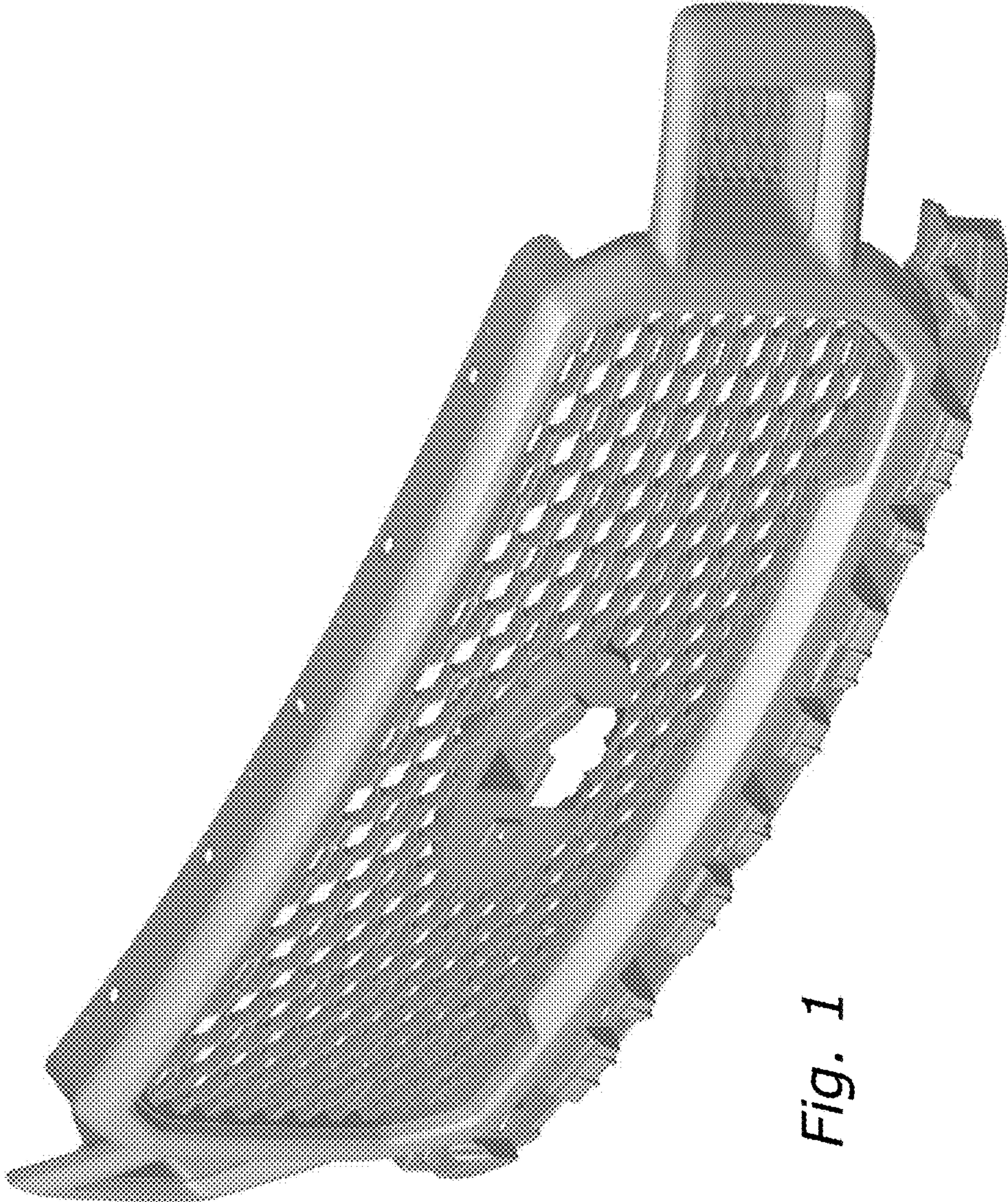


Fig. 1



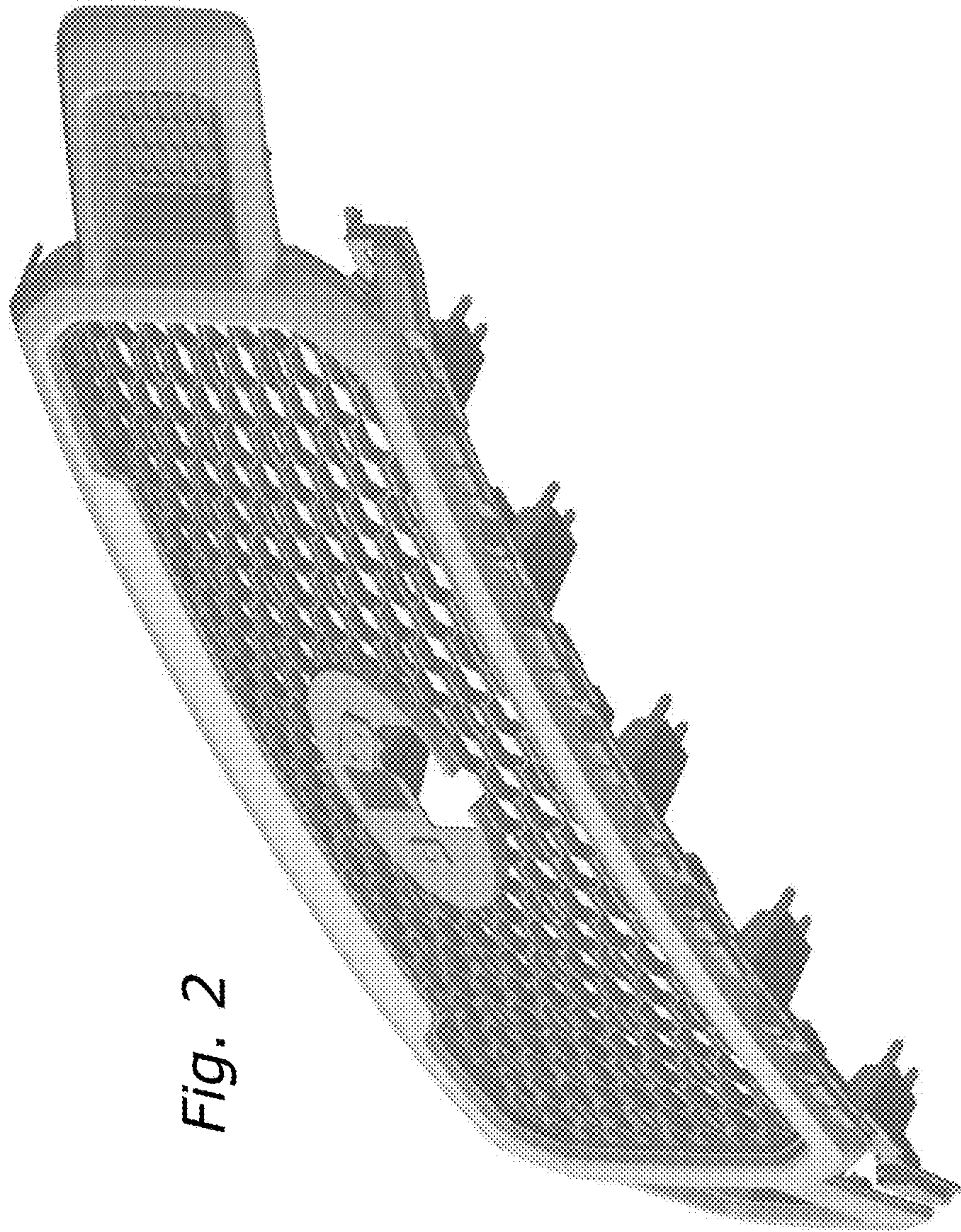


Fig. 2



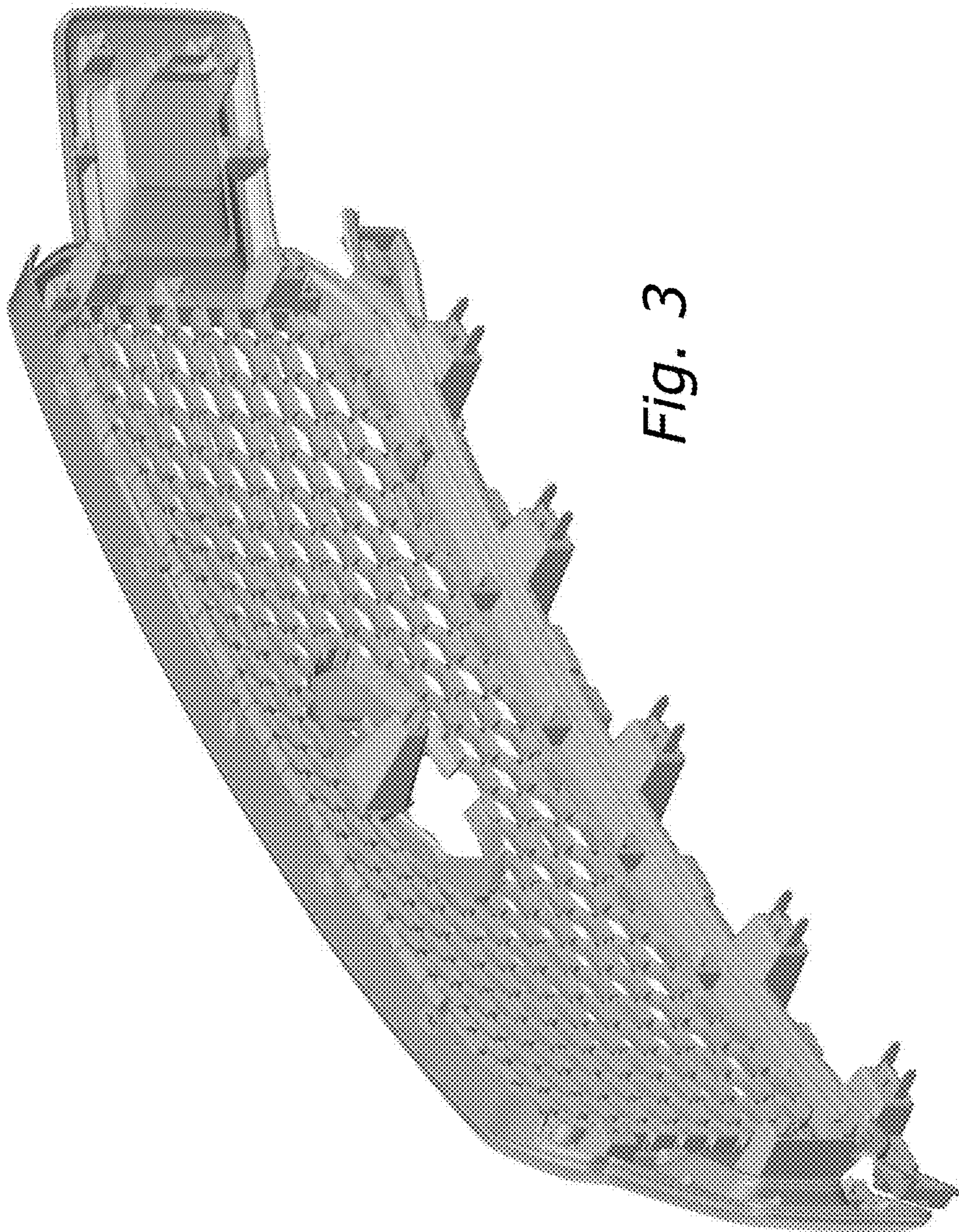


Fig. 3



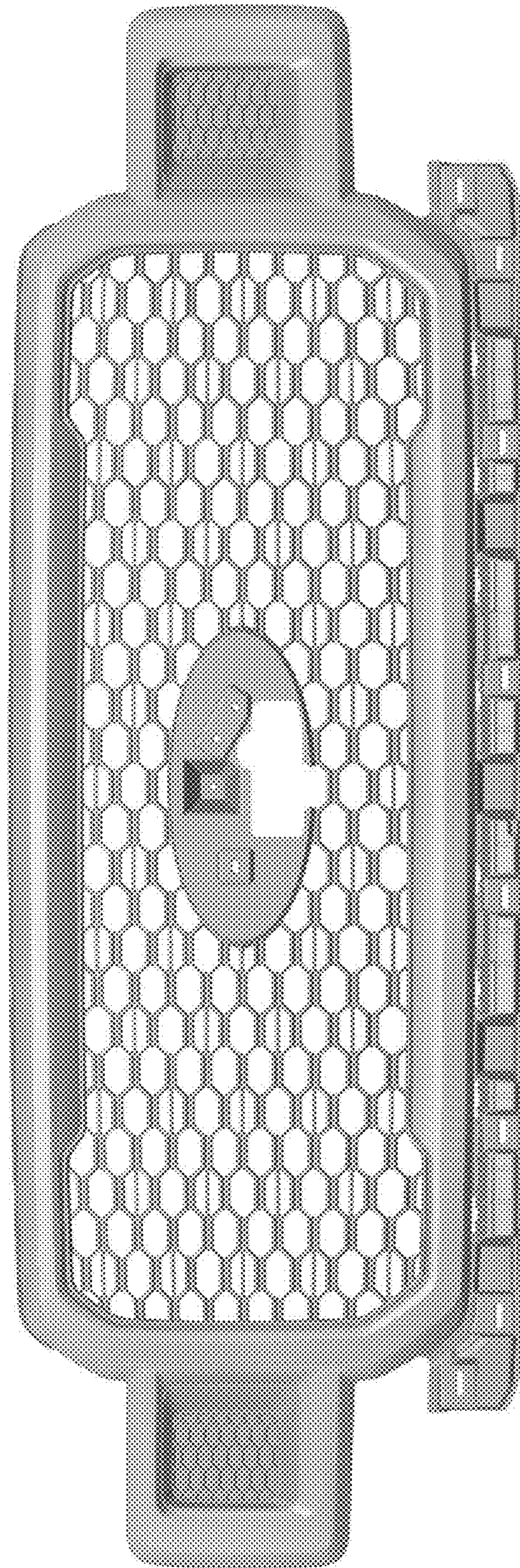


Fig. 4



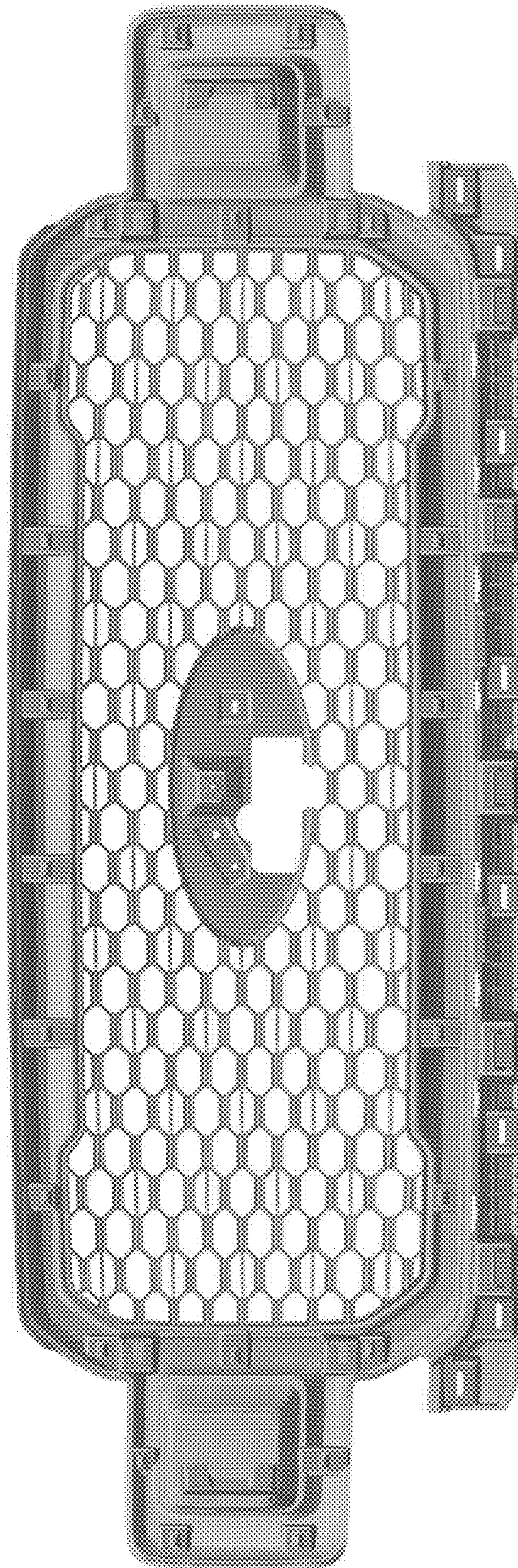


Fig. 5



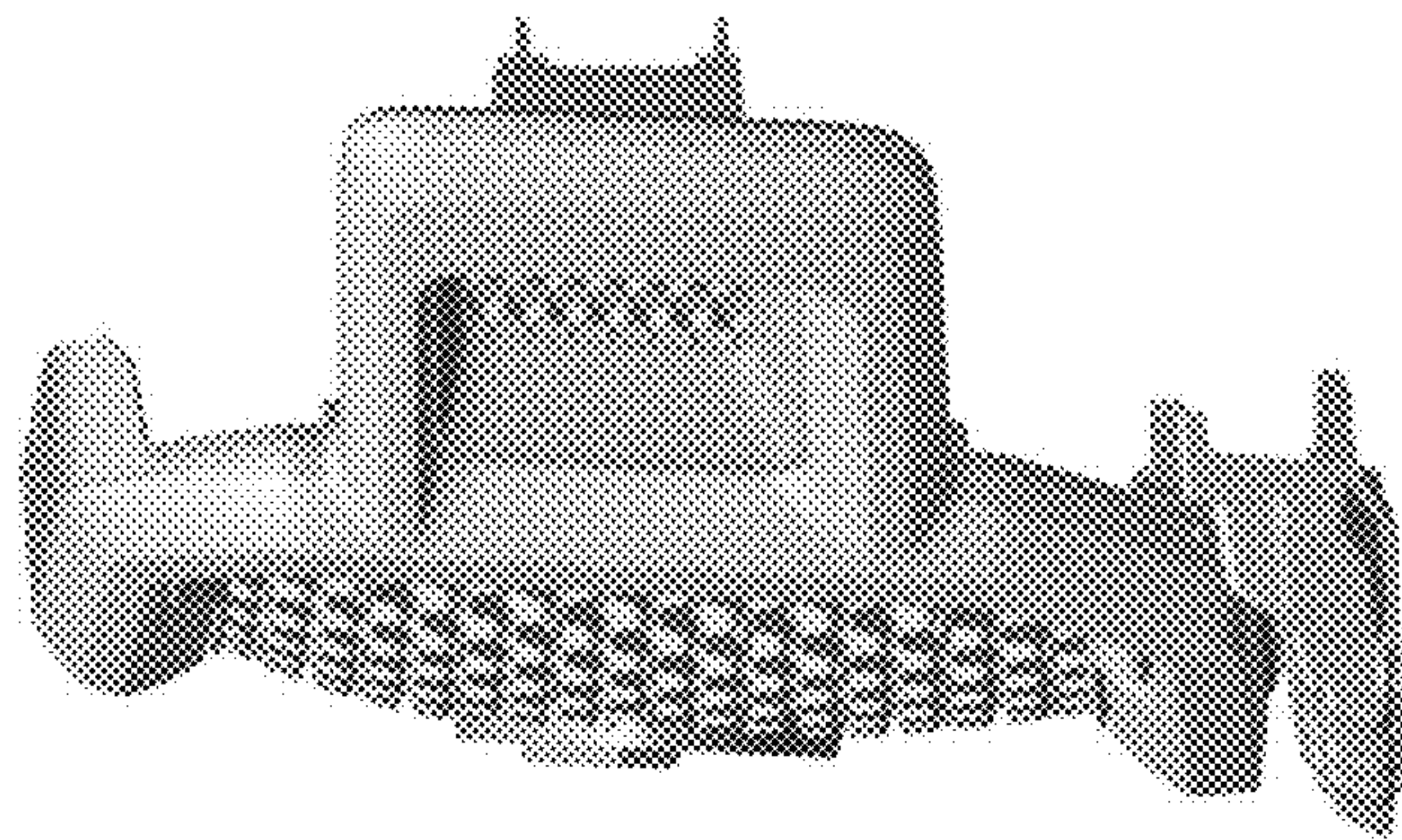


Fig. 6

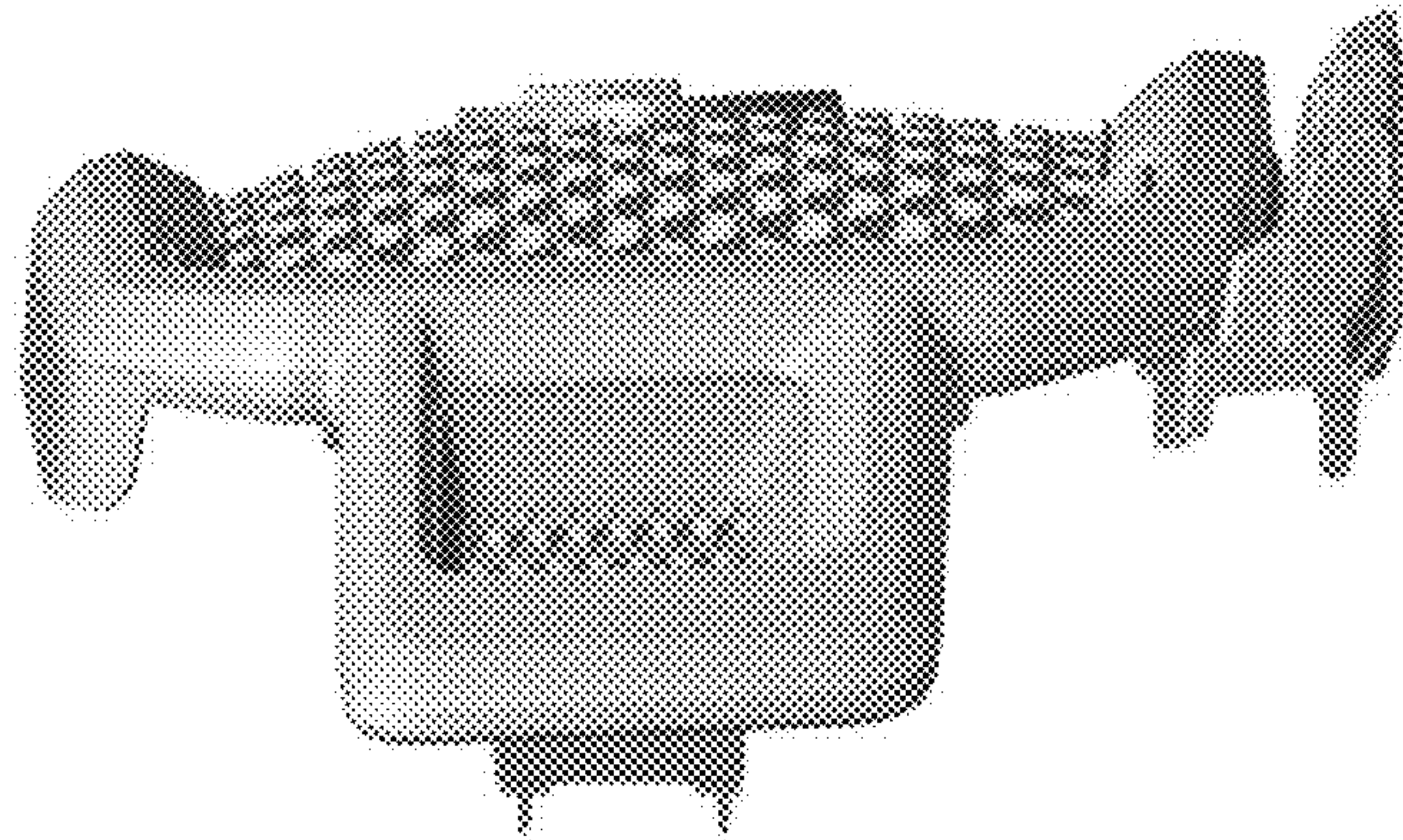


Fig. 7



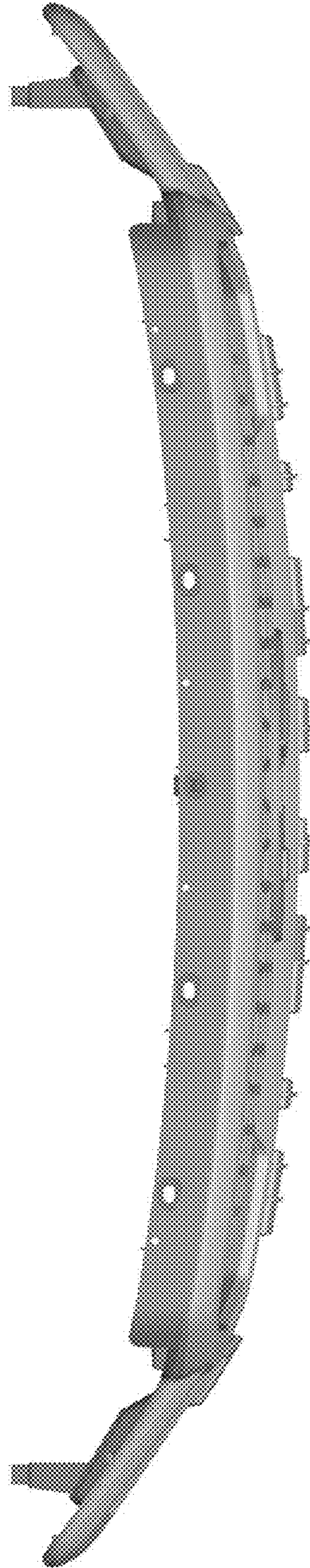


Fig. 8



Fig. 9

