



US00D822547S

(12) **United States Design Patent** (10) **Patent No.:** **US D822,547 S**
Platto et al. (45) **Date of Patent:** **** Jul. 10, 2018**

(54) **VEHICLE FRONT UPPER GRILLE**

(71) Applicant: **Ford Global Technologies, LLC**,
Dearborn, MI (US)

(72) Inventors: **Gordon M. Platto**, Troy, MI (US);
Sean W. Tant, Livonia, MI (US);
William K. Moore, West Bloomfield,
MI (US)

(73) Assignee: **Ford Global Technologies, LLC**,
Dearborn, MI (US)

(**) Term: **15 Years**

(21) Appl. No.: **29/588,156**

(22) Filed: **Dec. 19, 2016**

(51) **LOC (11) Cl.** **12-16**

(52) **U.S. Cl.**
USPC **D12/163**

(58) **Field of Classification Search**
USPC D12/86, 90, 91, 92, 163, 169, 171, 196,
D12/216
CPC B60R 19/02; B60R 19/04; B62D 25/00;
B62D 25/06; B62D 25/08; B62D 35/00
See application file for complete search history.

(56) **References Cited**

U.S. PATENT DOCUMENTS

D411,493 S *	6/1999	Davis, Jr.	D12/163
D491,495 S *	6/2004	Metros	D12/163
D495,979 S *	9/2004	Metros	D12/163
7,059,031 B1 *	6/2006	Elwell	B60R 13/00 180/68.6
D532,723 S *	11/2006	Schiavone	D12/163
D533,485 S *	12/2006	Schiavone	D12/163
D533,815 S *	12/2006	Matei	D12/163
D534,841 S *	1/2007	Matei	D12/163
D560,567 S *	1/2008	Tant	D12/163
D560,568 S *	1/2008	Tant	D12/163

D561,655 S *	2/2008	Ellis	D12/163
D584,196 S *	1/2009	Ebel	D12/163
D679,225 S *	4/2013	Gifford	D12/163
D685,695 S	7/2013	Platto	
D730,784 S	6/2015	Platto	
D755,088 S *	5/2016	McMahan	D12/163
D769,160 S	10/2016	Platto	
D775,003 S *	12/2016	Pevovar	D12/163
D776,020 S *	1/2017	Kapitonov	D12/163
D782,943 S *	4/2017	Kavaja	D12/163
D782,944 S *	4/2017	Pevovar	D12/163
2010/0148525 A1 *	6/2010	Abdelnour	B60R 19/52 293/115
2011/0181062 A1 *	7/2011	Bernt	B60K 11/085 293/102
2012/0090906 A1 *	4/2012	Charnesky	B60K 11/085 180/68.1
2014/0291056 A1 *	10/2014	Takanaga	B60K 11/085 180/274

* cited by examiner

Primary Examiner — Susan Bennett Hattan
Assistant Examiner — Suzanne E Tisdell
(74) *Attorney, Agent, or Firm* — James Dottavio

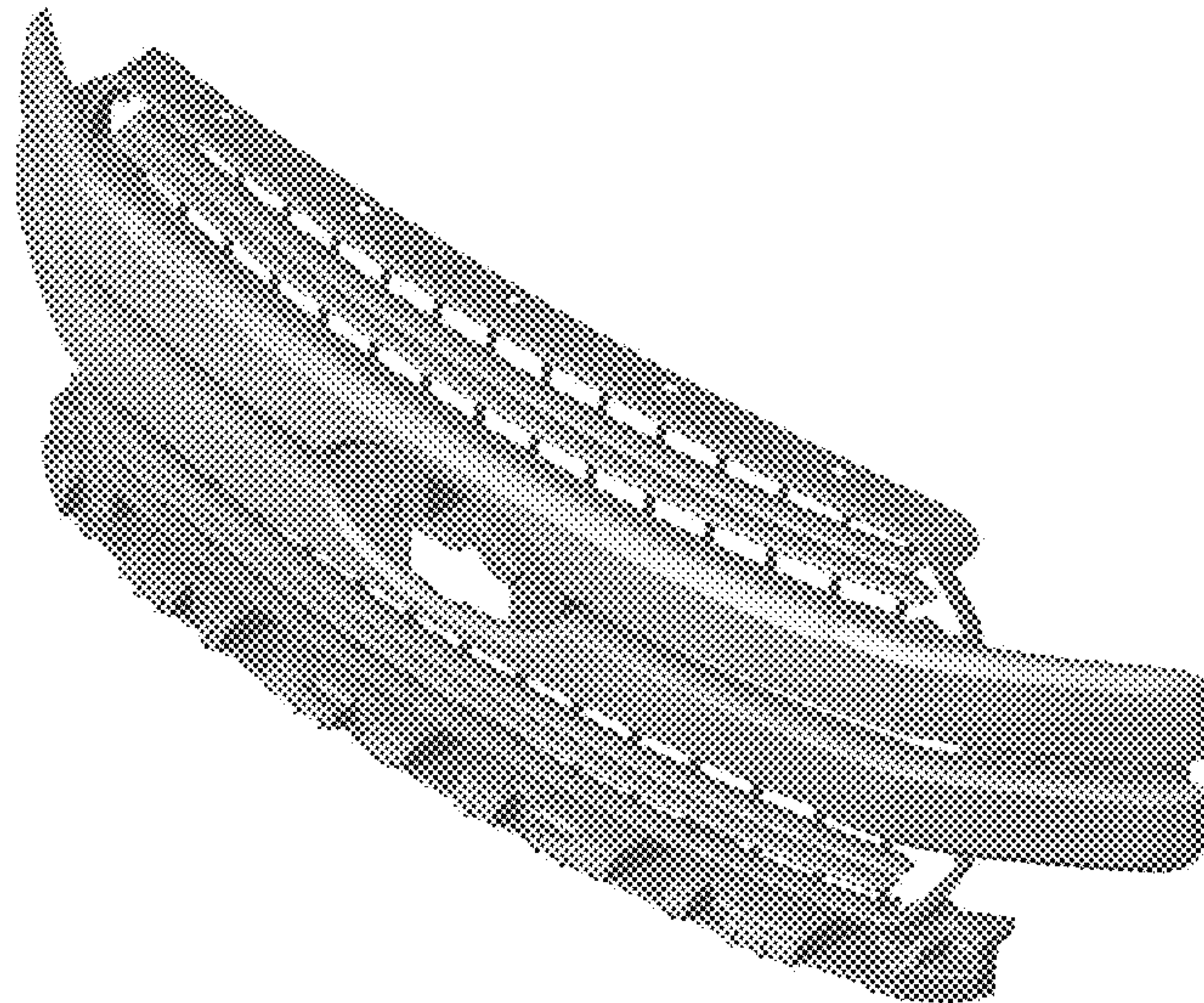
(57) **CLAIM**

The ornamental design for a vehicle front upper grille, as shown.

DESCRIPTION

FIG. 1 is a top left perspective view of a vehicle front upper grille, showing our new design;
FIG. 2 is a bottom left perspective view thereof;
FIG. 3 is a top rear perspective view thereof;
FIG. 4 is a front elevational view thereof;
FIG. 5 is a rear elevational view thereof;
FIG. 6 is a left side elevational view thereof;
FIG. 7 is a right side elevational view thereof;
FIG. 8 is a top plan view thereof; and,
FIG. 9 is a bottom plan view thereof.

1 Claim, 9 Drawing Sheets



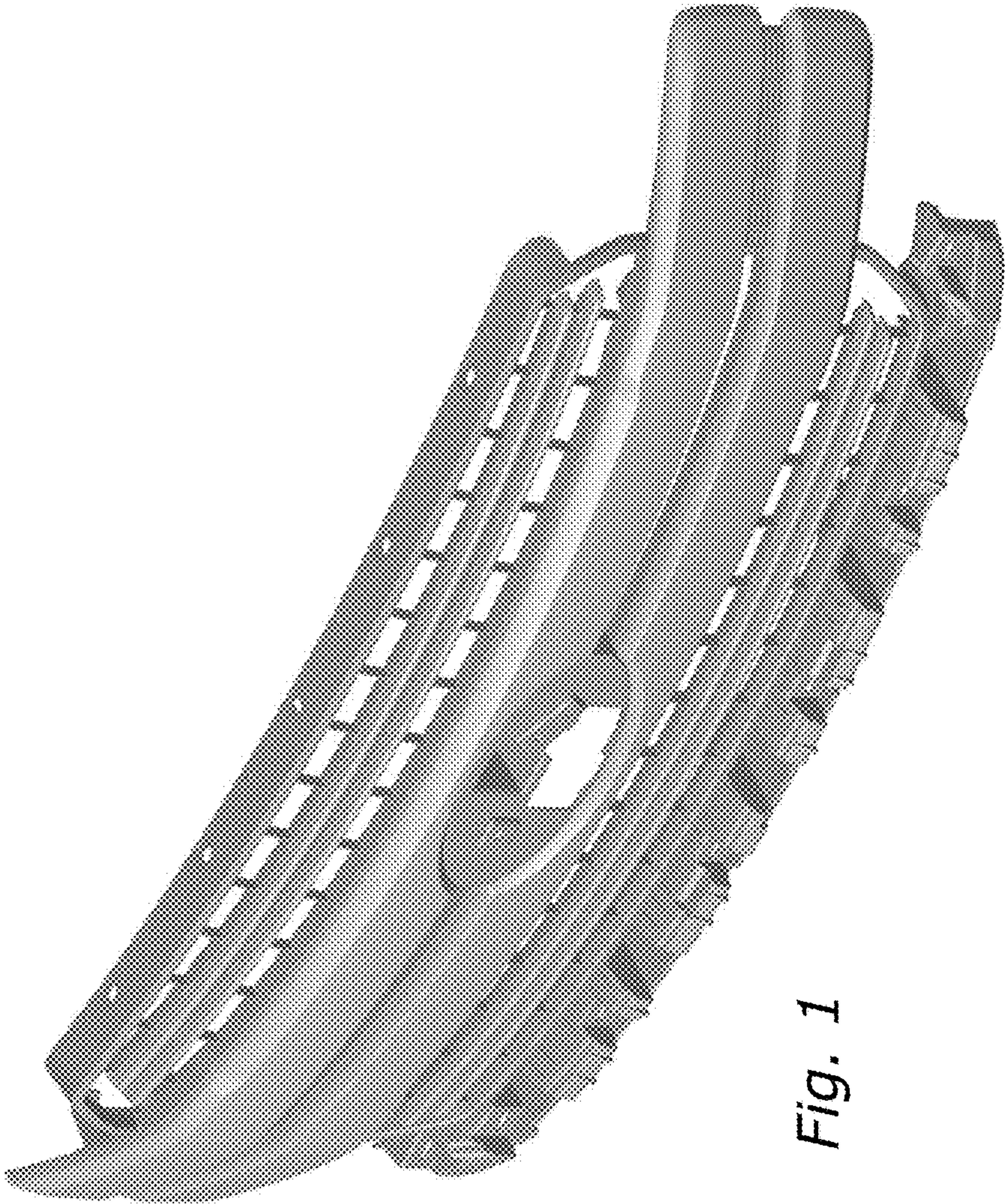


Fig. 1

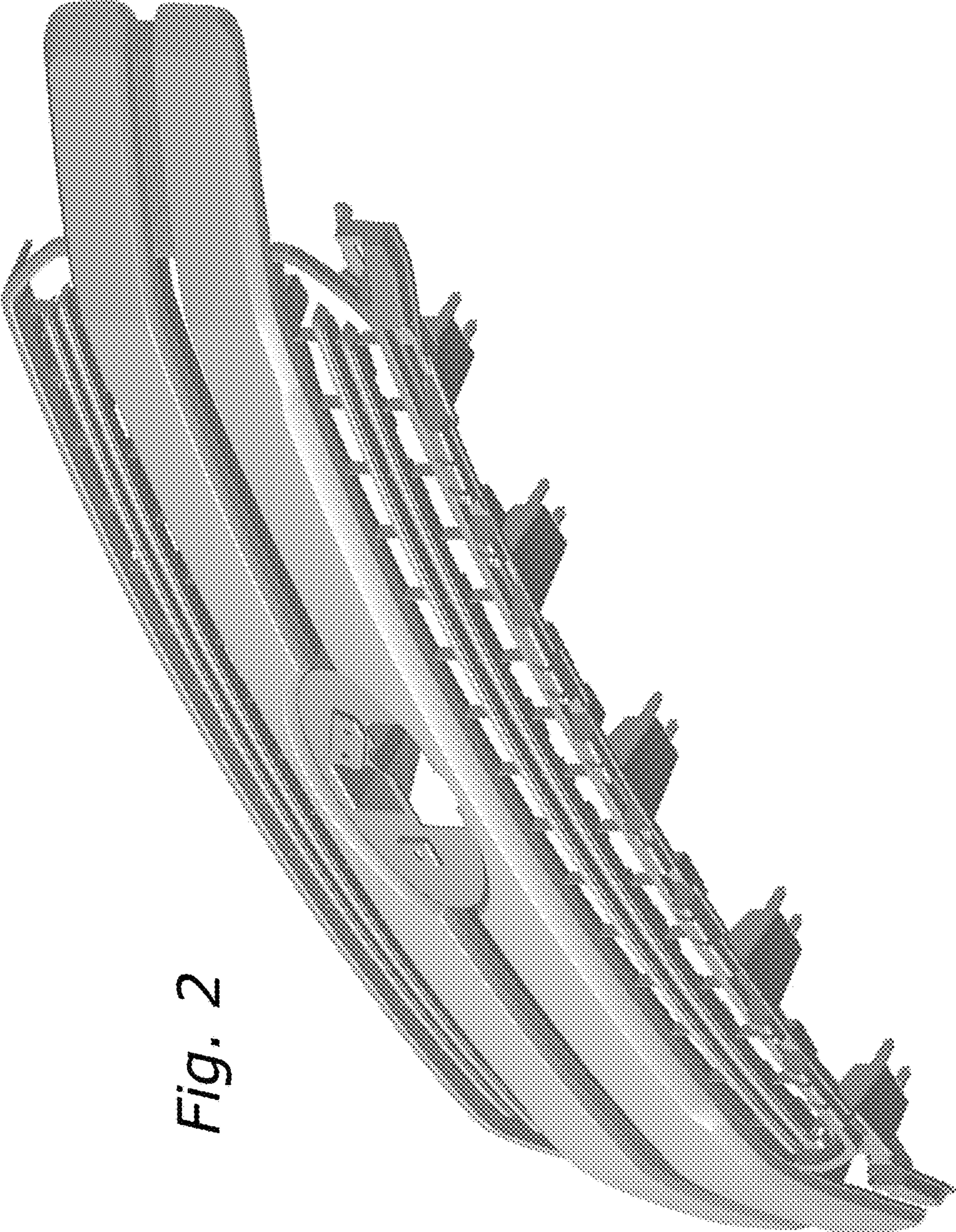


Fig. 2

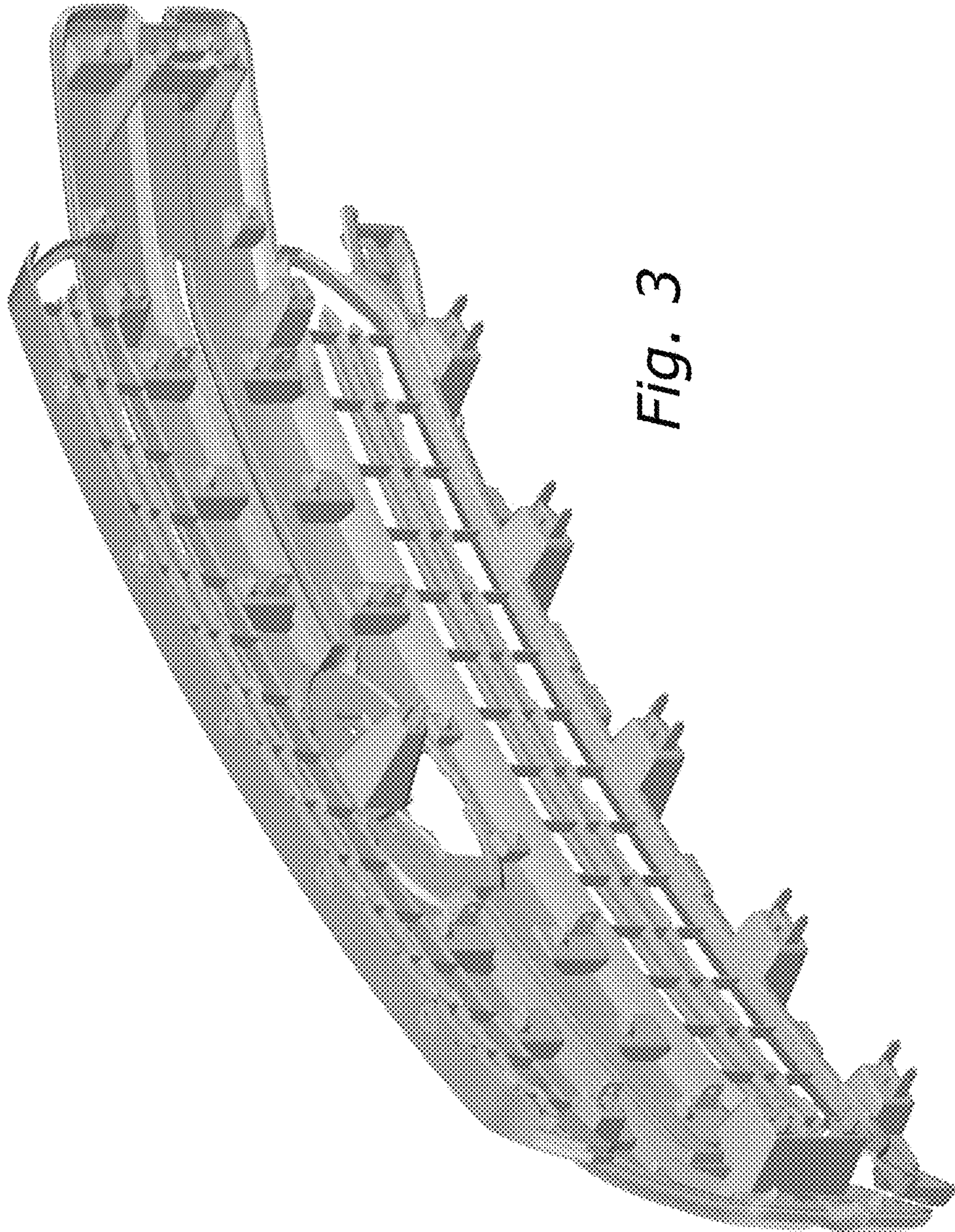


Fig. 3

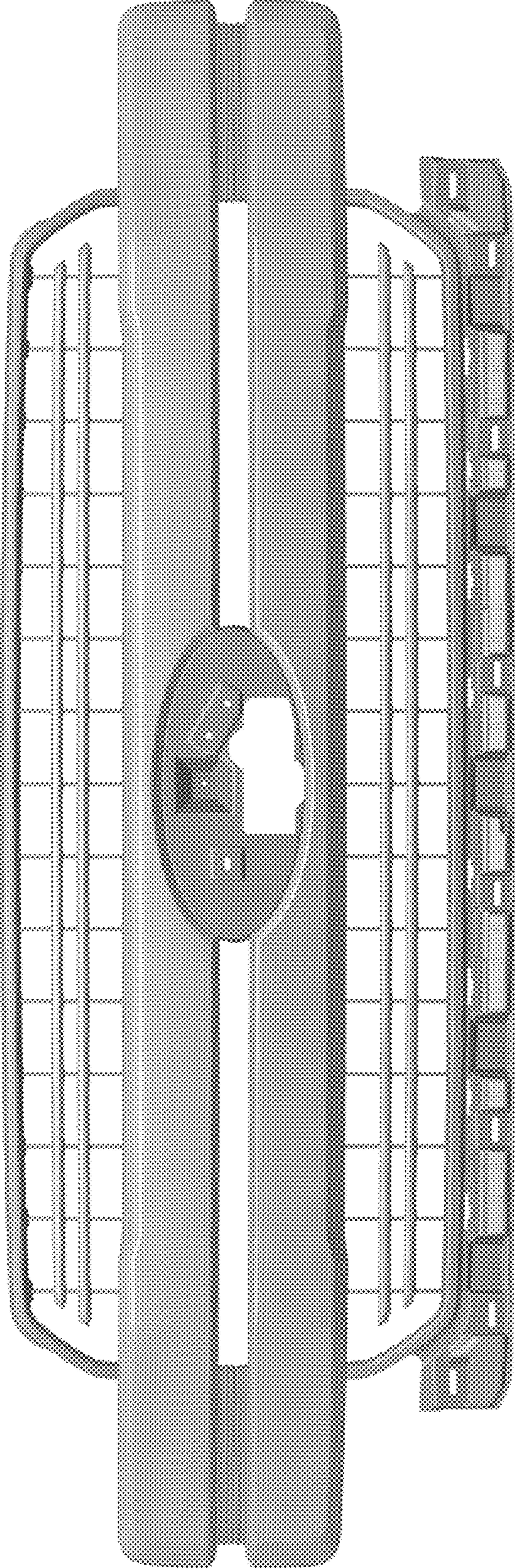


Fig. 4

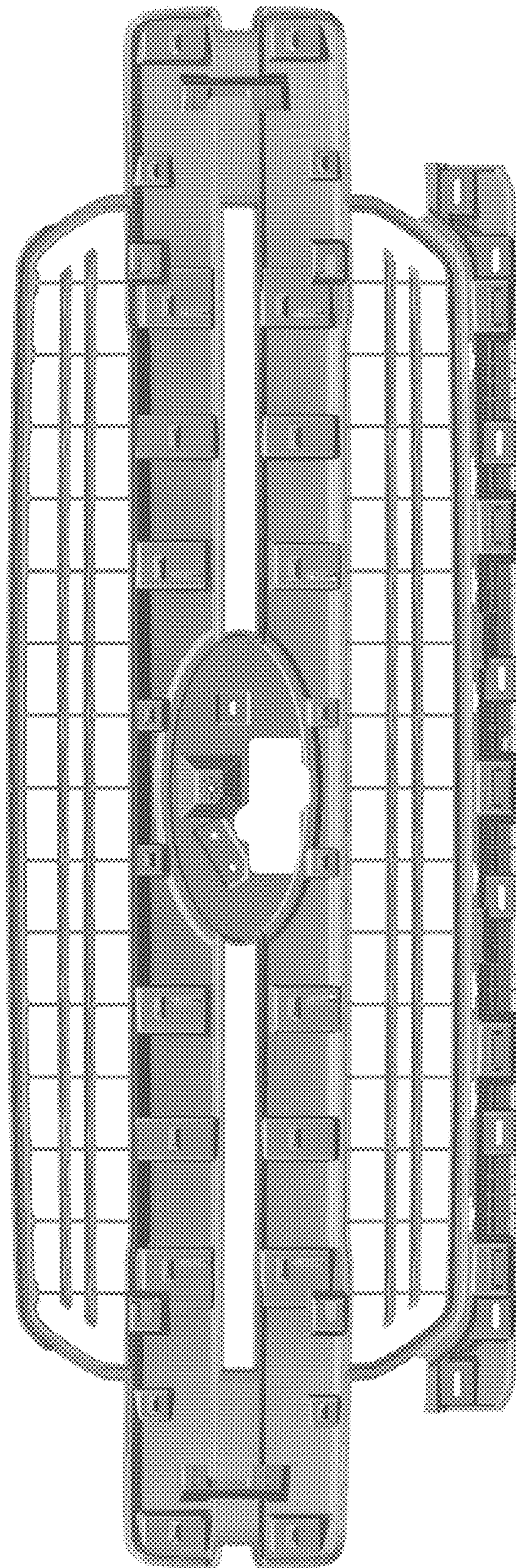


Fig. 5

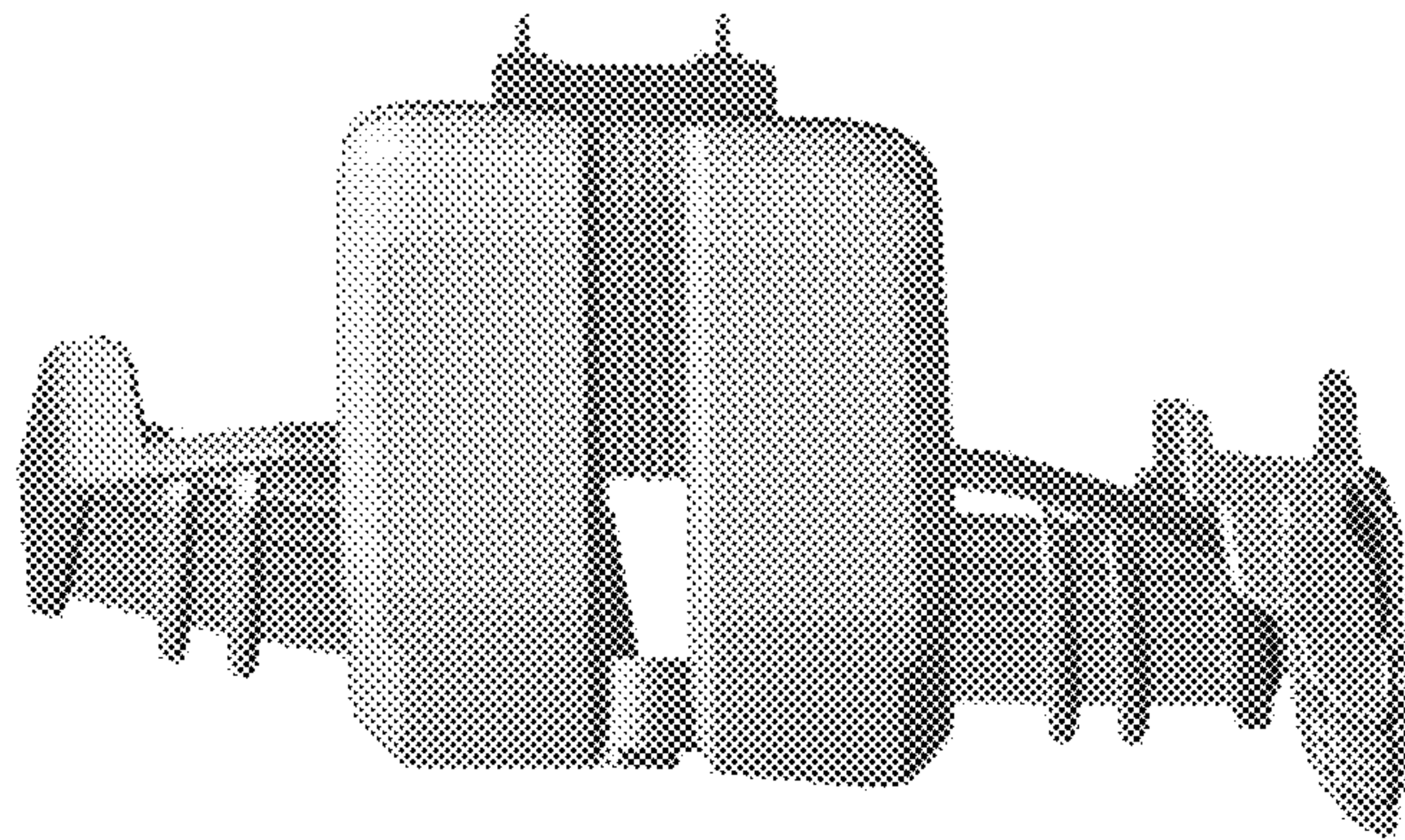


Fig. 6

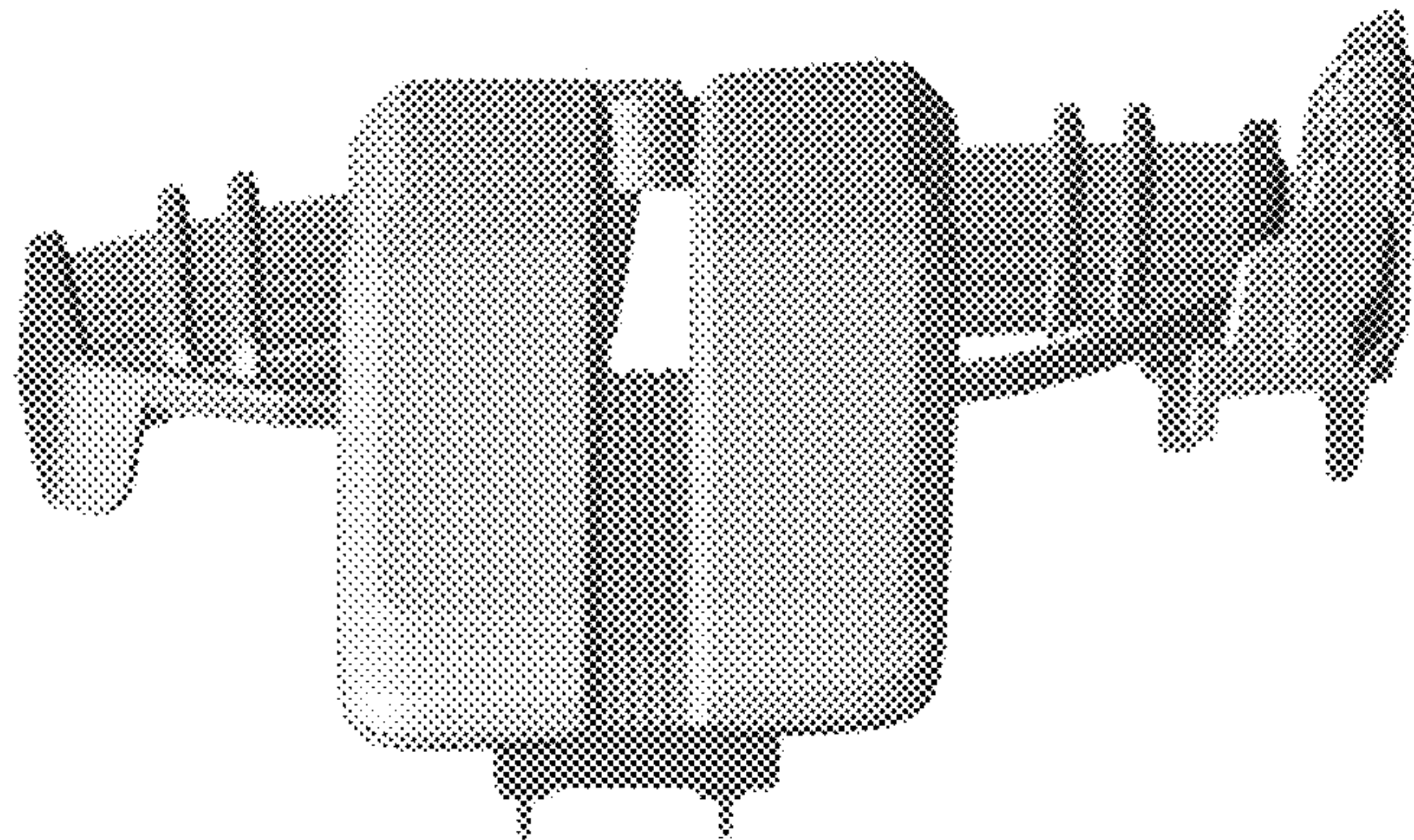


Fig. 7

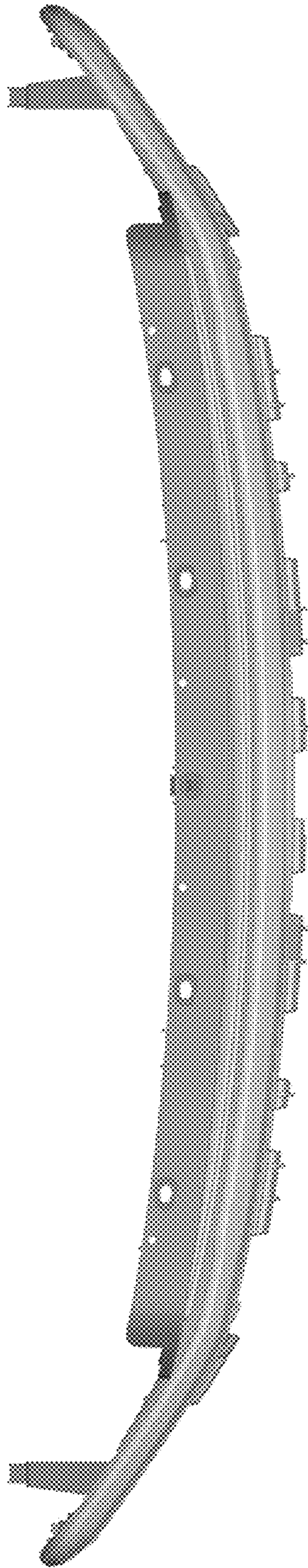


Fig. 8

Fig. 9

