



US00D822546S

(12) **United States Design Patent**
Platto et al.

(10) **Patent No.:** **US D822,546 S**
(45) **Date of Patent:** **** Jul. 10, 2018**

(54) **VEHICLE FRONT LOWER GRILLE**

(71) Applicant: **Ford Global Technologies, LLC,**
Dearborn, MI (US)

(72) Inventors: **Gordon M. Platto,** Troy, MI (US);
Sean W. Tant, Livonia, MI (US);
William K. Moore, West Bloomfield,
MI (US)

(73) Assignee: **Ford Global Technologies, LLC,**
Dearborn, MI (US)

(**) Term: **15 Years**

(21) Appl. No.: **29/588,144**

(22) Filed: **Dec. 19, 2016**

(51) **LOC (11) Cl.** **12-16**

(52) **U.S. Cl.**
USPC **D12/163**

(58) **Field of Classification Search**
USPC D12/86, 90, 91, 92, 163, 169, 171, 196,
D12/216
CPC B60R 19/02; B60R 19/04; B62D 25/00;
B62D 25/06; B62D 25/08; B62D 35/00
See application file for complete search history.

(56) **References Cited**

U.S. PATENT DOCUMENTS

D720,667 S 1/2015 Platto
D769,159 S 10/2016 Platto
D786,134 S * 5/2017 Varga D12/92

D786,149 S * 5/2017 Pevovar D12/169
D786,743 S * 5/2017 Smith D12/163
D787,988 S * 5/2017 Lee D12/163
D791,653 S * 7/2017 Svensson D12/163
D793,917 S * 8/2017 Kozub D12/163
D793,921 S * 8/2017 Takamatsu D12/169
D793,923 S * 8/2017 Katou D12/169
D799,375 S * 10/2017 Zavatski D12/91
D800,616 S * 10/2017 Jang D12/169
D803,110 S * 11/2017 Seo D12/169
D805,967 S * 12/2017 Platto D12/163
D805,968 S * 12/2017 Piscitelli D12/163

* cited by examiner

Primary Examiner — Susan Bennett Hattan

Assistant Examiner — Suzanne E Tisdell

(74) *Attorney, Agent, or Firm* — James Dottavio

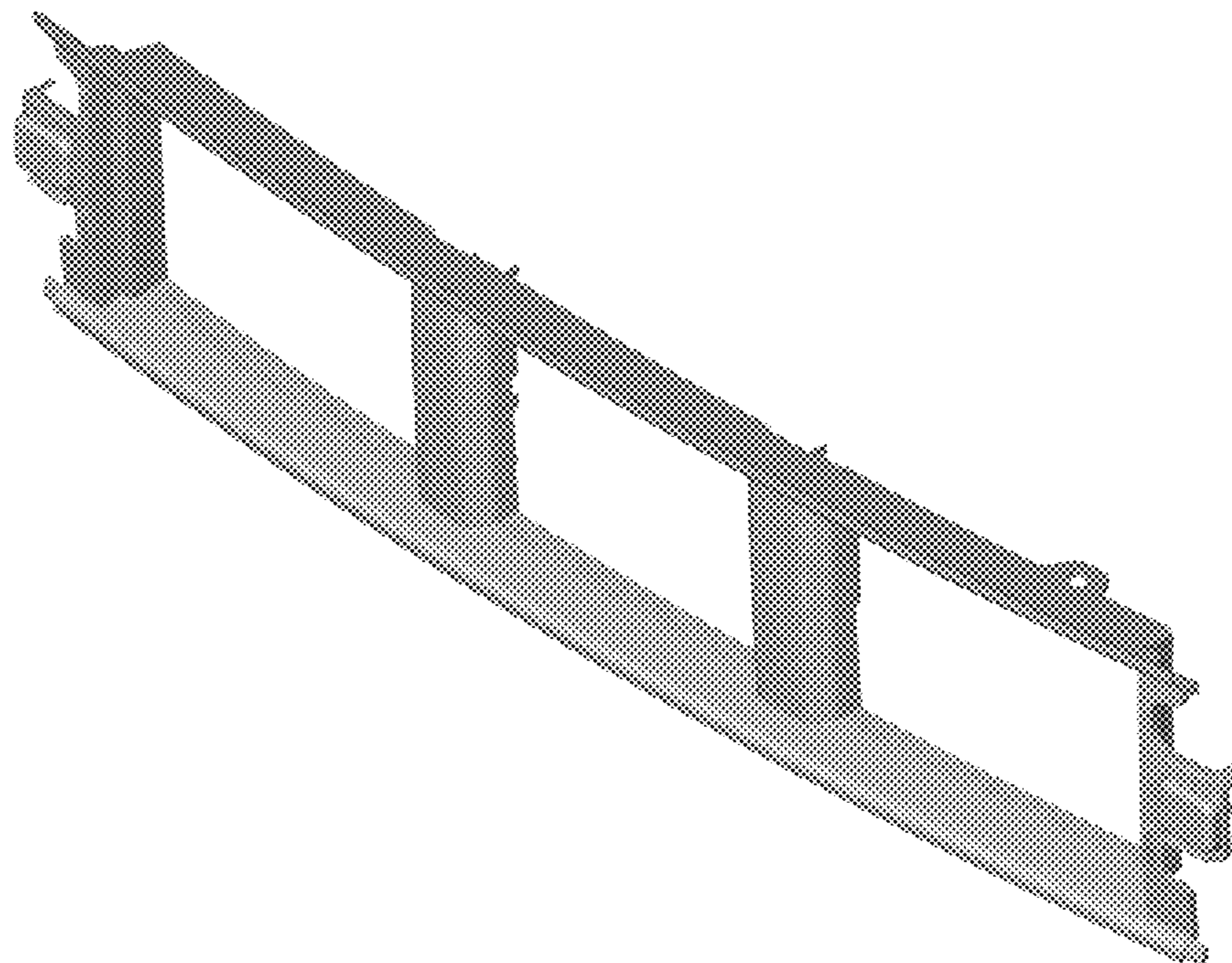
(57) **CLAIM**

The ornamental design for a vehicle front lower grille, as shown.

DESCRIPTION

FIG. 1 is a top left perspective view of a vehicle front lower grille, showing our new design;
FIG. 2 is a bottom left perspective view thereof;
FIG. 3 is a top rear perspective view thereof;
FIG. 4 is a front elevational view thereof;
FIG. 5 is a rear elevational view thereof;
FIG. 6 is a left side elevational view thereof;
FIG. 7 is a right side elevational view thereof;
FIG. 8 is a top plan view thereof; and,
FIG. 9 is a bottom plan view thereof.

1 Claim, 9 Drawing Sheets



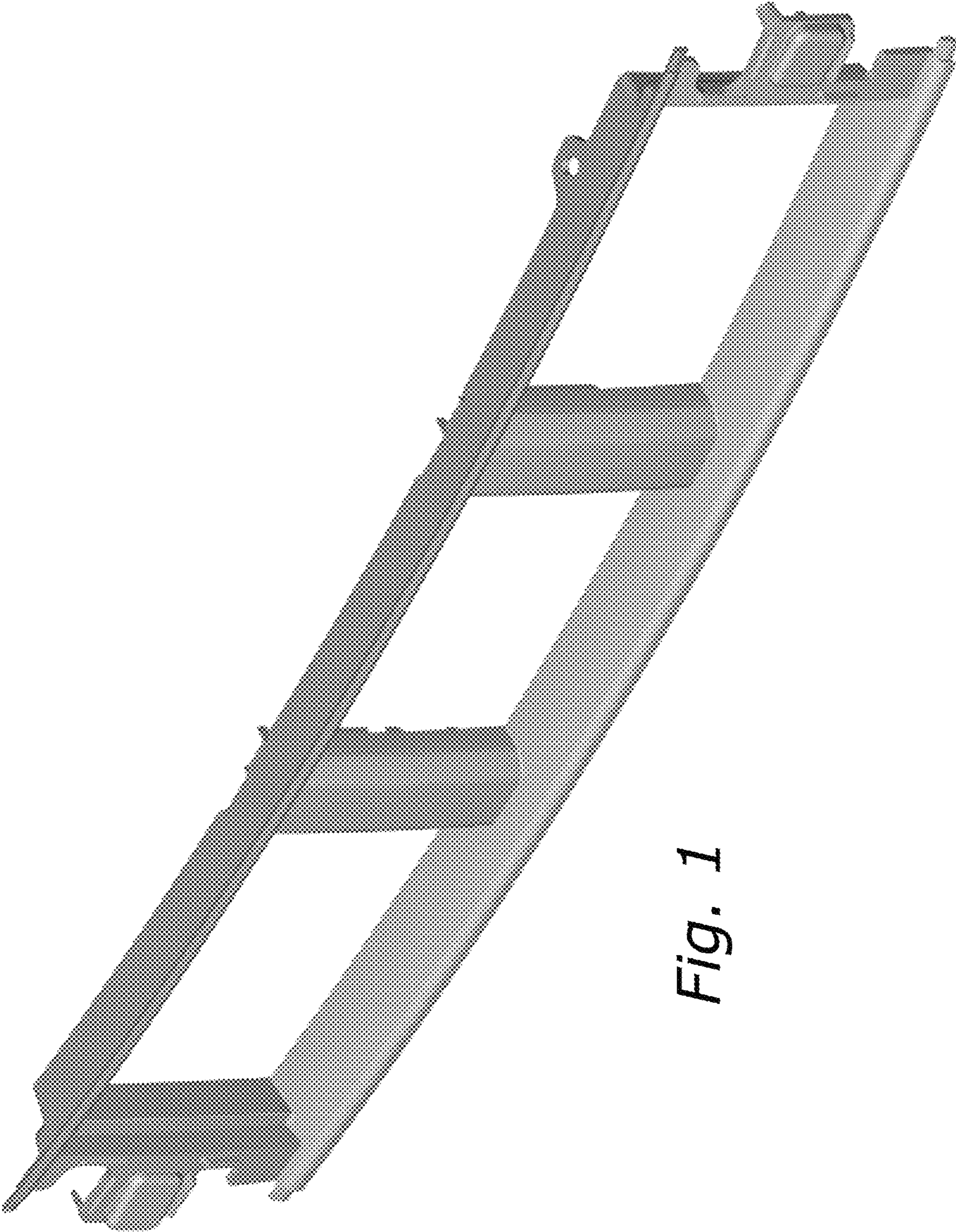


Fig. 1

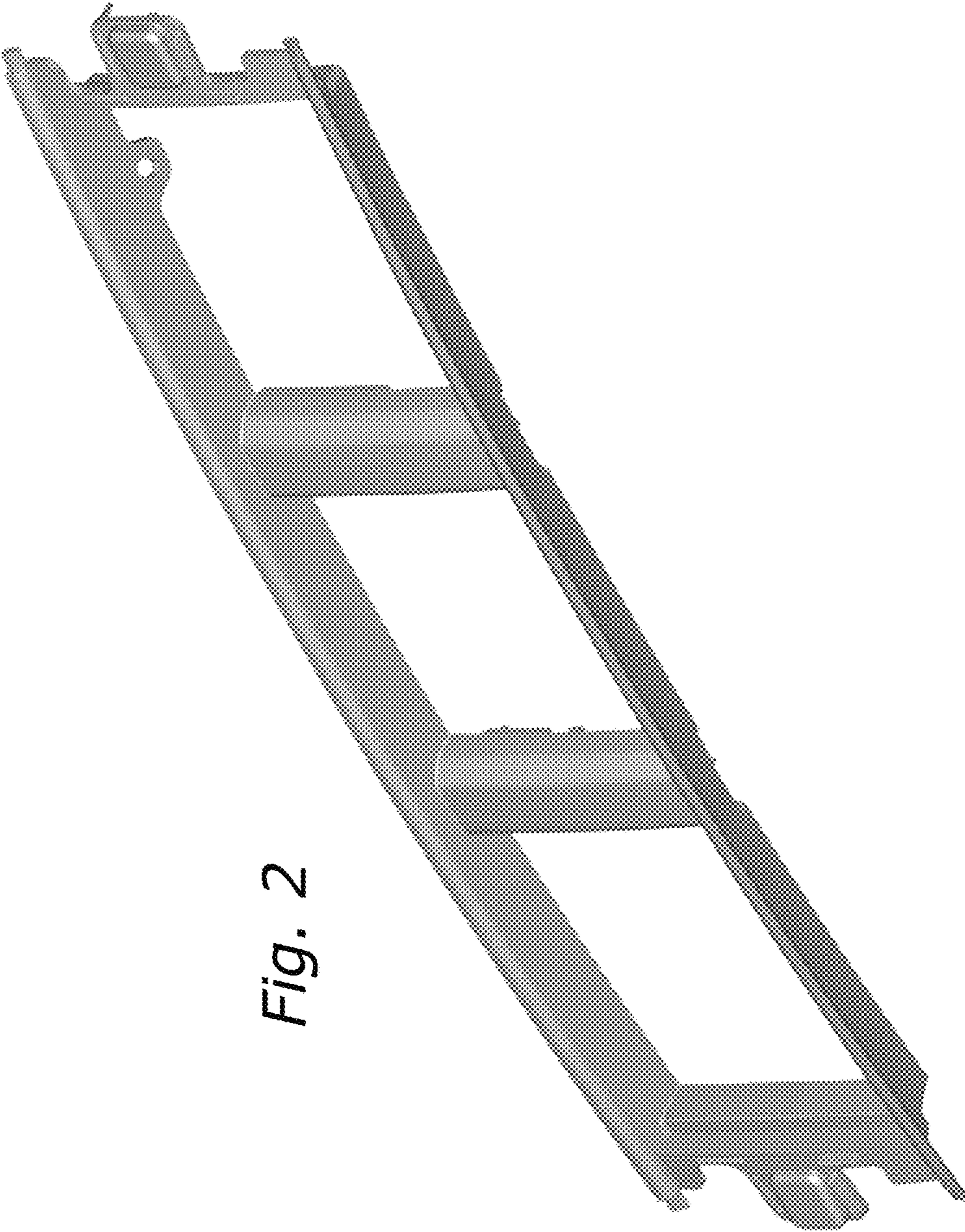


Fig. 2

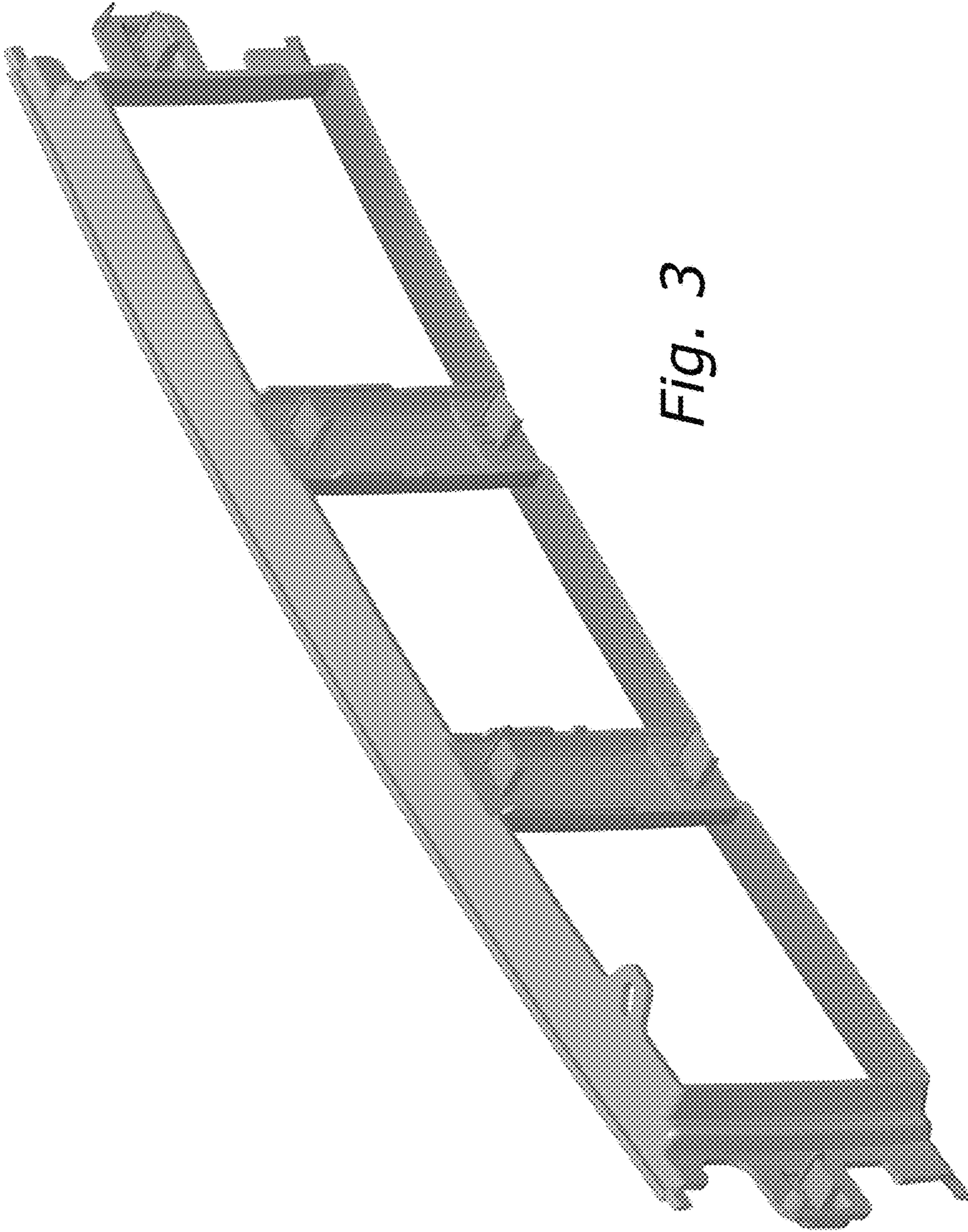


Fig. 3

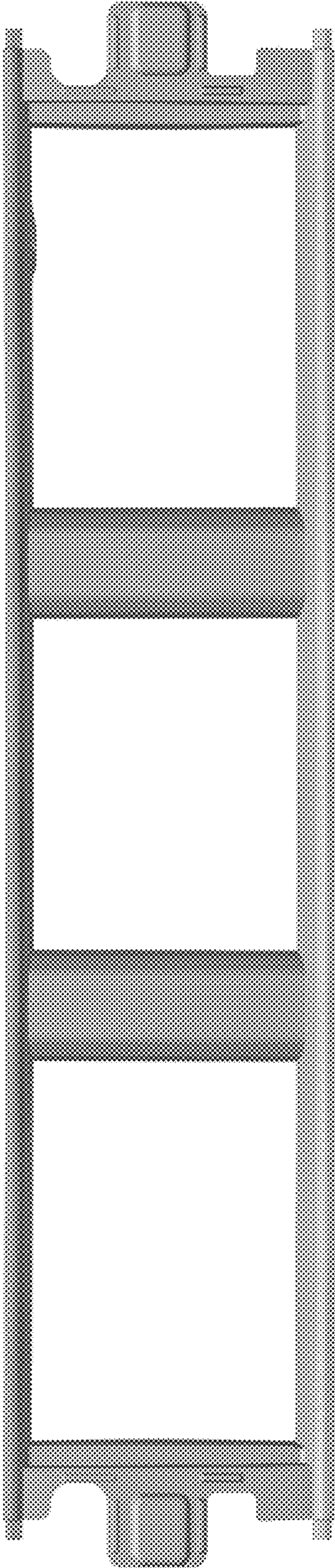


Fig. 4

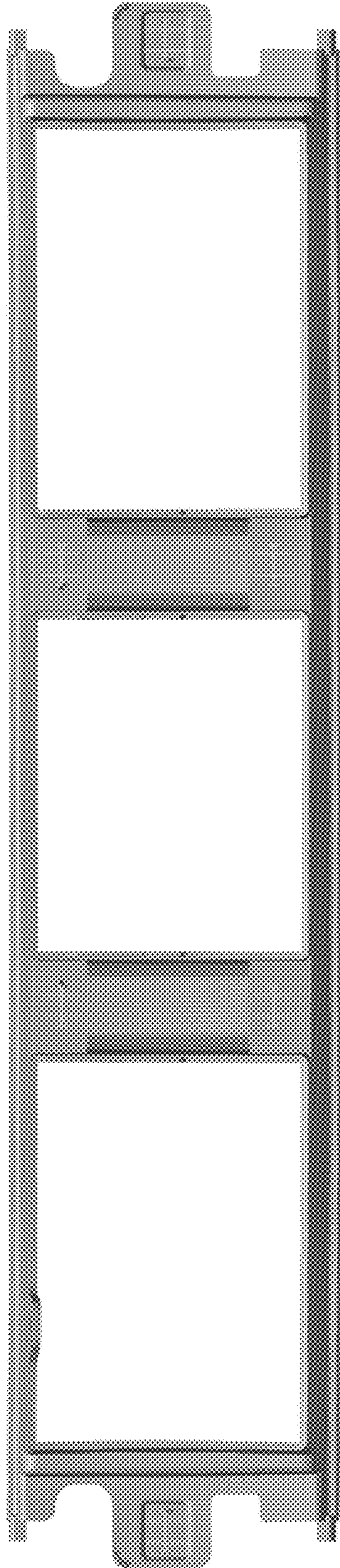


Fig. 5

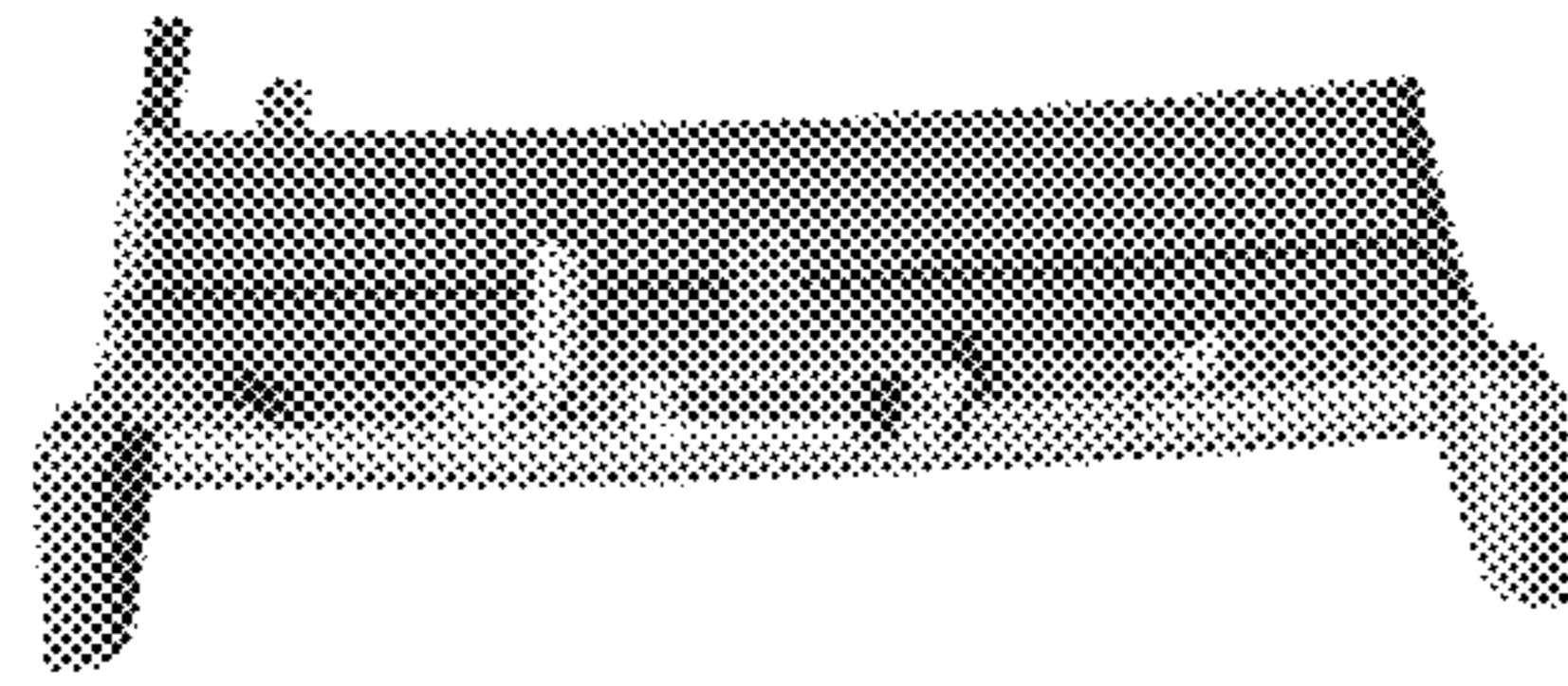


Fig. 6

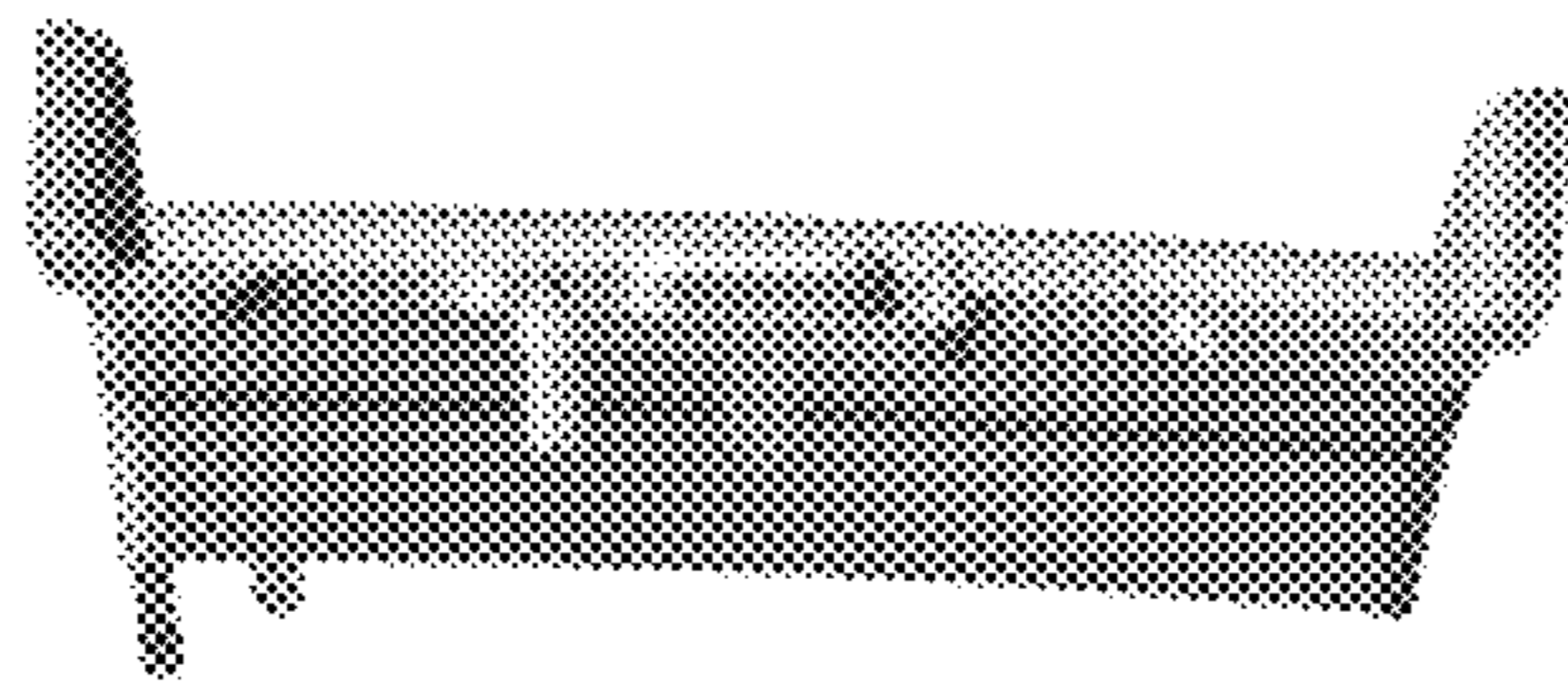


Fig. 7

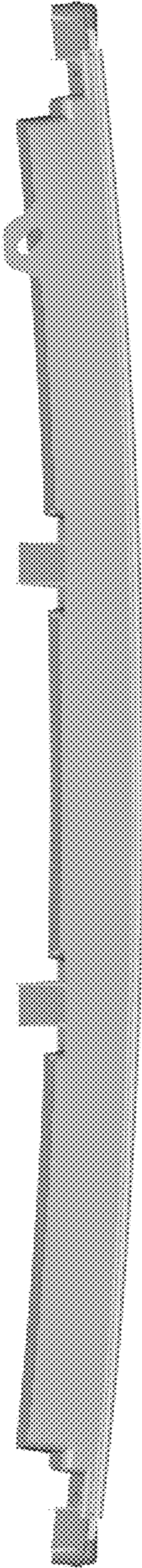


Fig. 8

Fig. 9

