



US00D822544S

(12) **United States Design Patent** (10) **Patent No.:** **US D822,544 S**
Black et al. (45) **Date of Patent:** **** Jul. 10, 2018**

(54) **WATER CART**

(71) Applicant: **Pro-Kleen Industrial Services Inc.**,
Hebron, OH (US)

(72) Inventors: **Adam Black**, New Albany, OH (US);
Corey Davis, Logan, OH (US); **Josh Trimmer**, Pickerington, OH (US)

(73) Assignee: **Pro-Kleen Industrial Services Inc.**,
Hebron, OH (US)

(**) Term: **15 Years**

(21) Appl. No.: **29/582,082**

(22) Filed: **Oct. 25, 2016**

(51) **LOC (11) Cl.** **12-10**

(52) **U.S. Cl.**
USPC **D12/102**

(58) **Field of Classification Search**
USPC D12/93, 95, 96, 97, 101, 102
CPC . A47L 15/242; B60P 3/10; B60P 3/32; B62D
35/00; B62D 35/02
See application file for complete search history.

(56) **References Cited**

U.S. PATENT DOCUMENTS

D157,361 S *	2/1950	Ford	D12/96
3,022,791 A *	2/1962	Larson	A47L 15/242
				134/123
D200,301 S *	2/1965	Kachnik	D12/102
3,492,042 A *	1/1970	Nachtigall, Jr.	B60P 3/32
				296/24.45

D256,114 S *	7/1980	Bell, Jr.	D12/102
D391,525 S *	3/1998	Savitski	D12/102
D408,333 S *	4/1999	Prusmack	D12/101
D464,916 S *	10/2002	Golenz	D12/102
D522,921 S *	6/2006	Rugh	D12/102
D530,242 S *	10/2006	Prusmack	D12/101
D534,099 S *	12/2006	Prusmack	D12/101
D696,160 S *	12/2013	Kittoe	D12/101
D762,145 S *	7/2016	Van Bosstraeten	D12/102

* cited by examiner

Primary Examiner — Karen S Acker

Assistant Examiner — Jerry Shiuan-Hua Hsu

(74) *Attorney, Agent, or Firm* — Squire Patton Boggs
(US) LLP

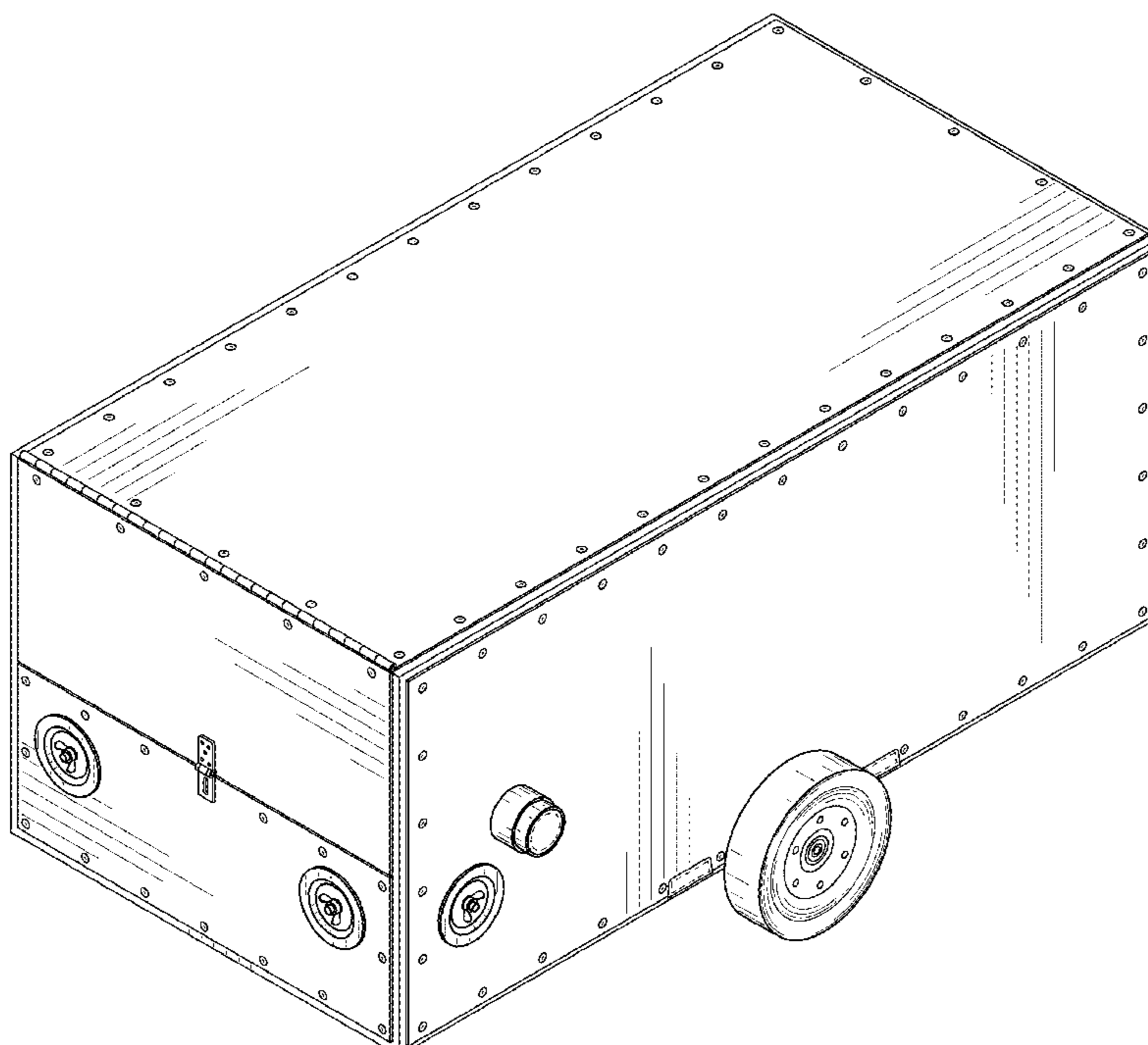
(57) **CLAIM**

The ornamental design for a water cart, as shown and described.

DESCRIPTION

FIG. 1 is a front perspective view of a water cart, with a front door closed;
 FIG. 2 is a front perspective view of the water cart, with a front door open;
 FIG. 3 is a front view of the water cart;
 FIG. 4 is a rear view of the water cart;
 FIG. 5 is a left side view of the water cart;
 FIG. 6 is a right side view of the water cart;
 FIG. 7 is a top view of the water cart;
 FIG. 8 is a bottom view of the water cart; and,
 FIG. 9 is a rear perspective view of the water cart.
 Broken lines show portions of the water cart that form no part of the claimed design.

1 Claim, 8 Drawing Sheets



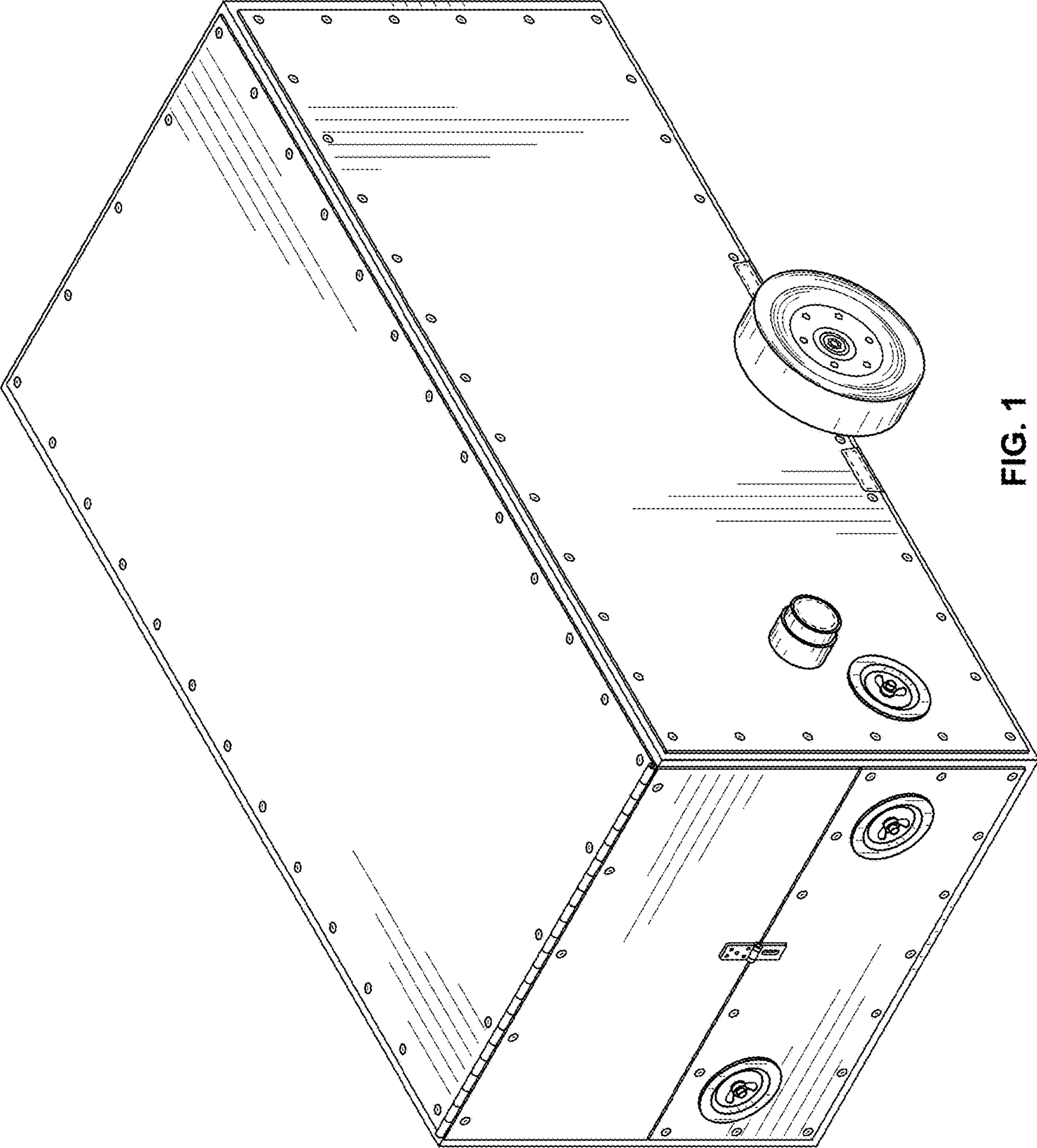


FIG. 1

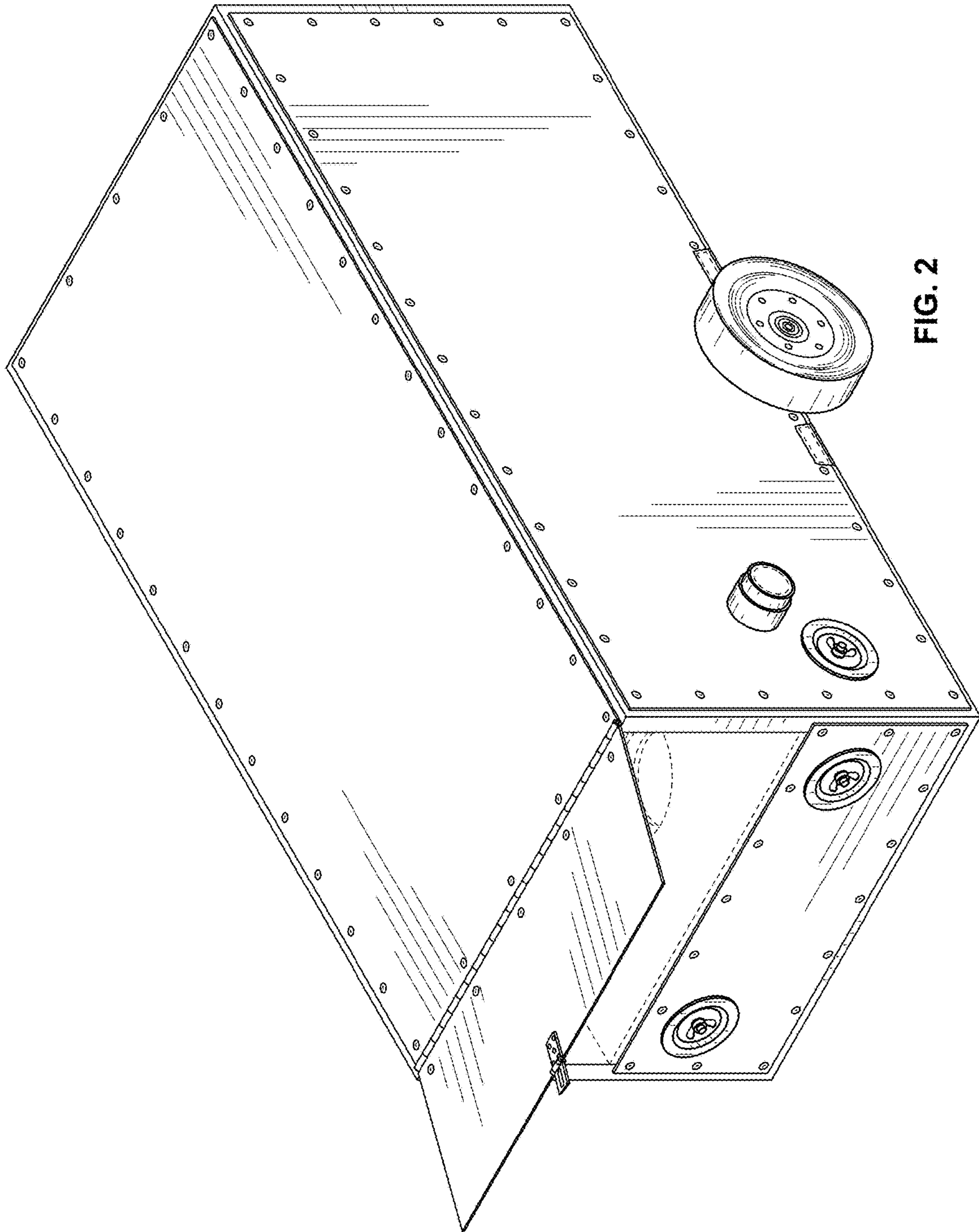


FIG. 2

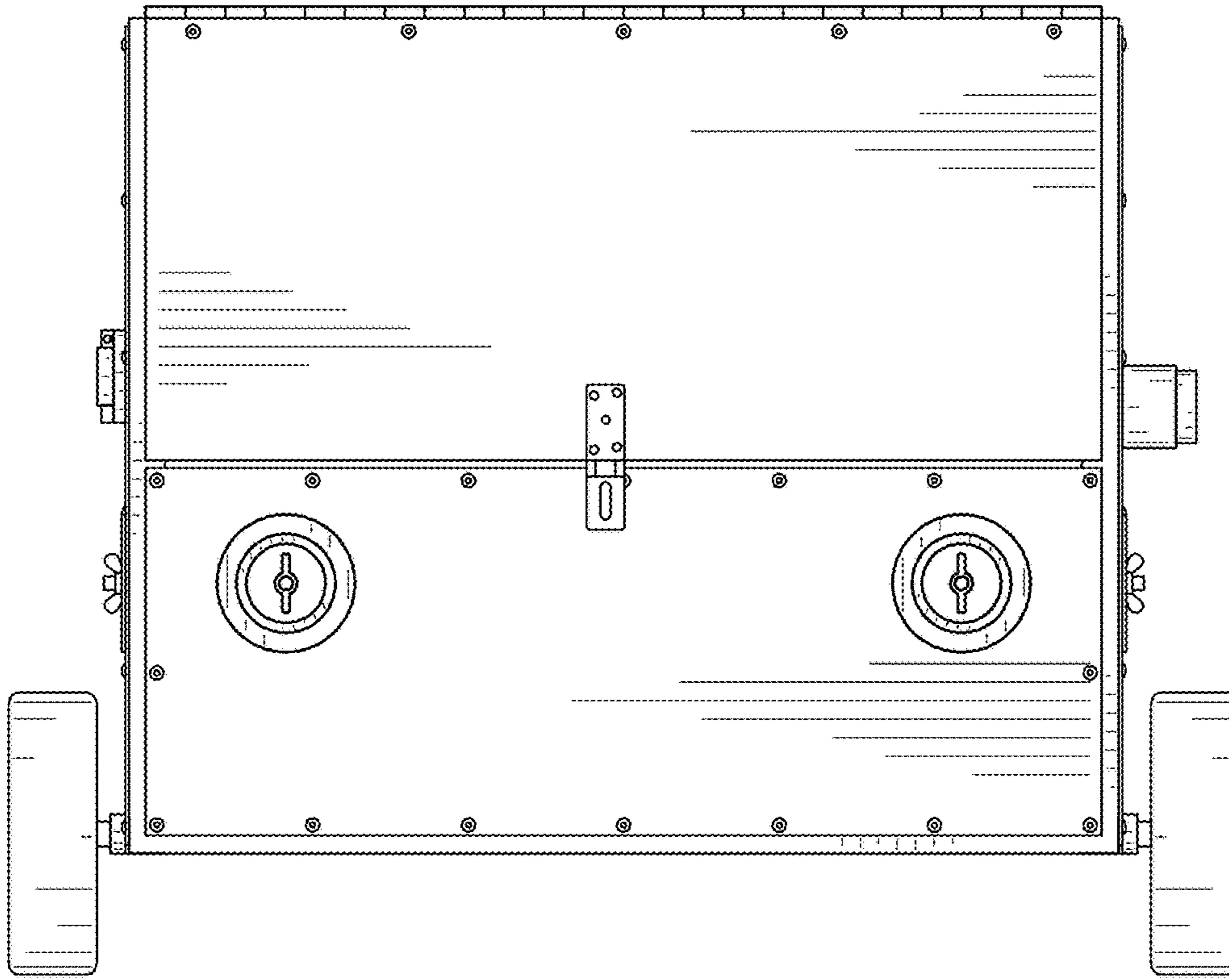


FIG. 3

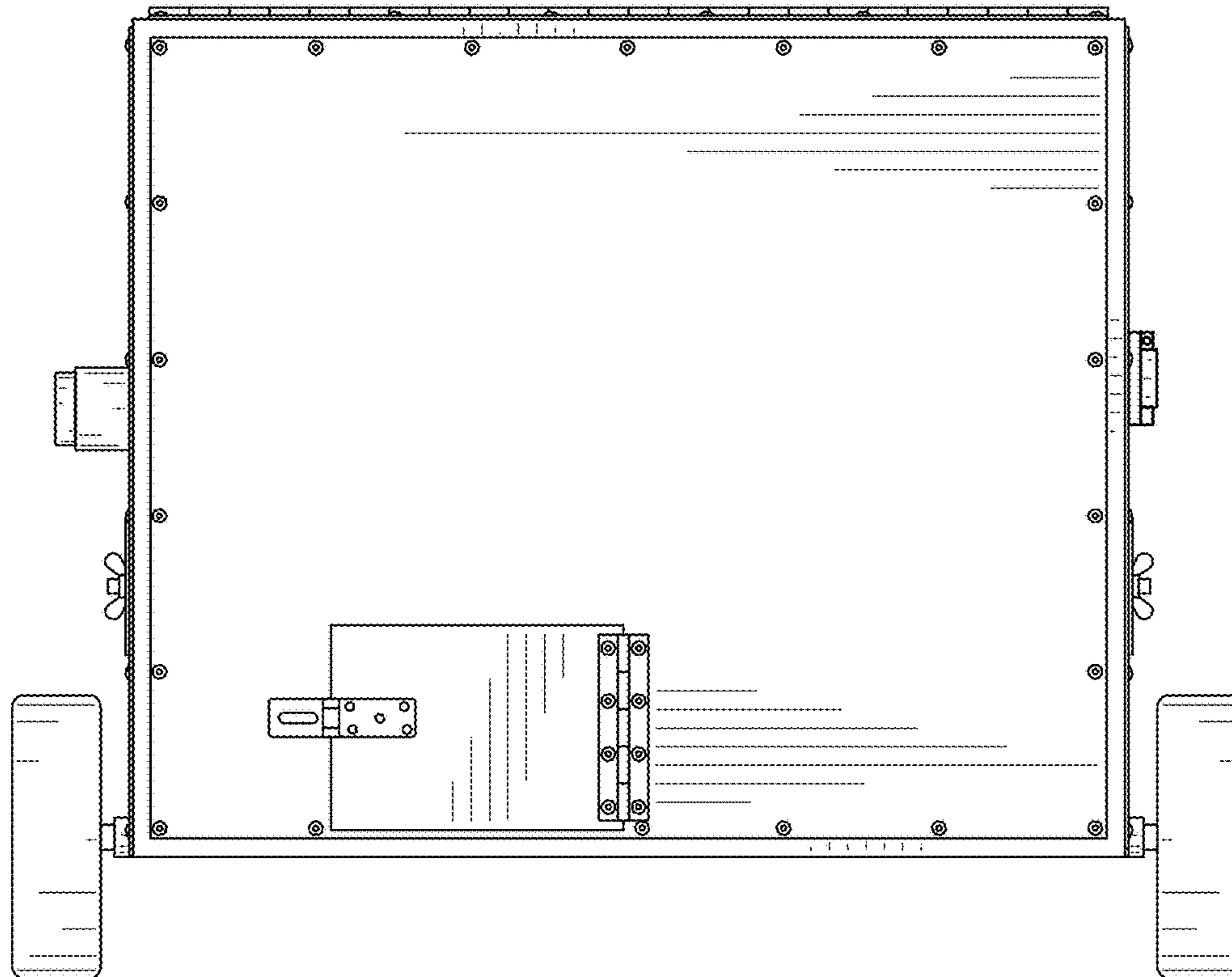


FIG. 4

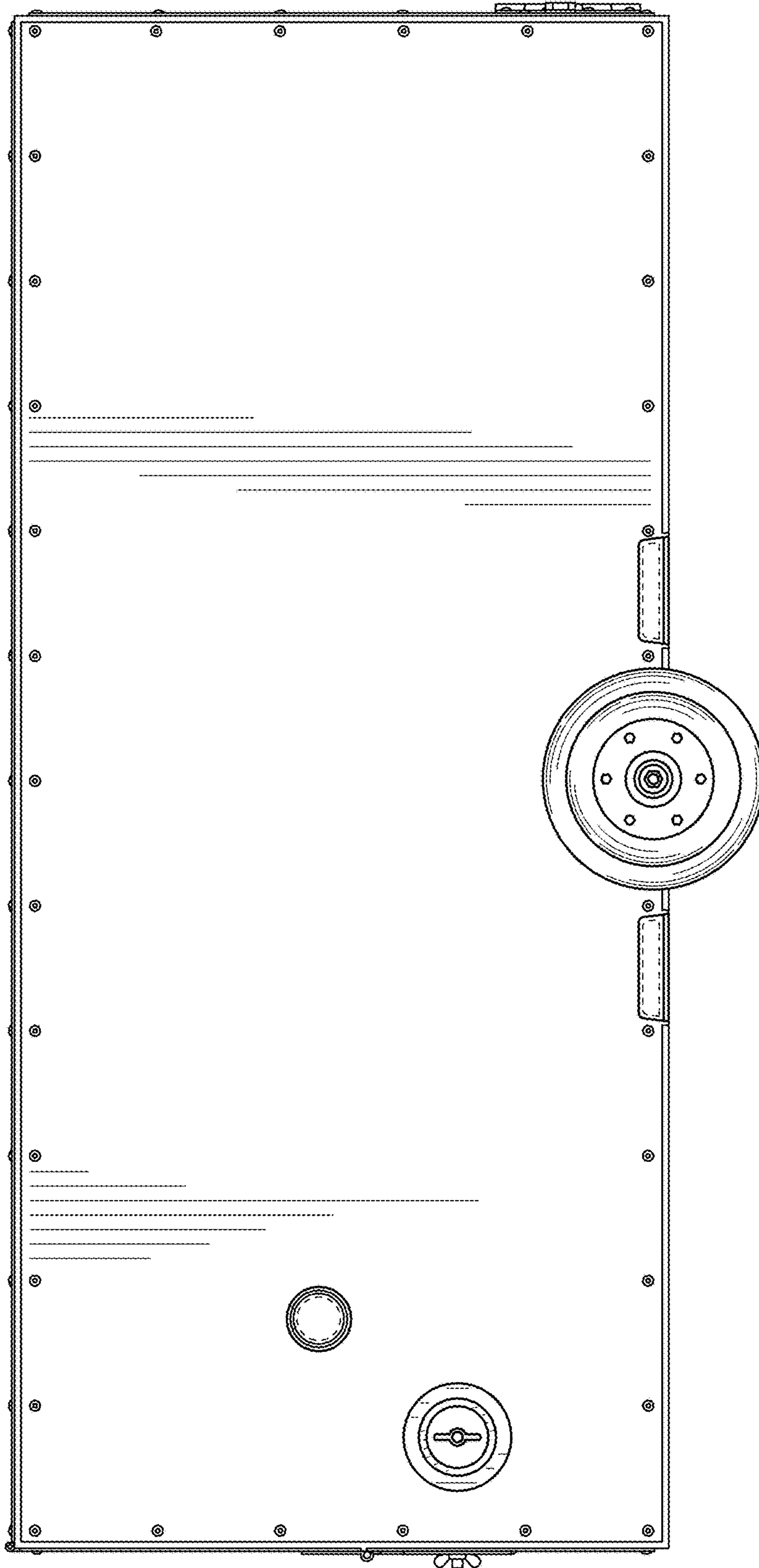


FIG. 5

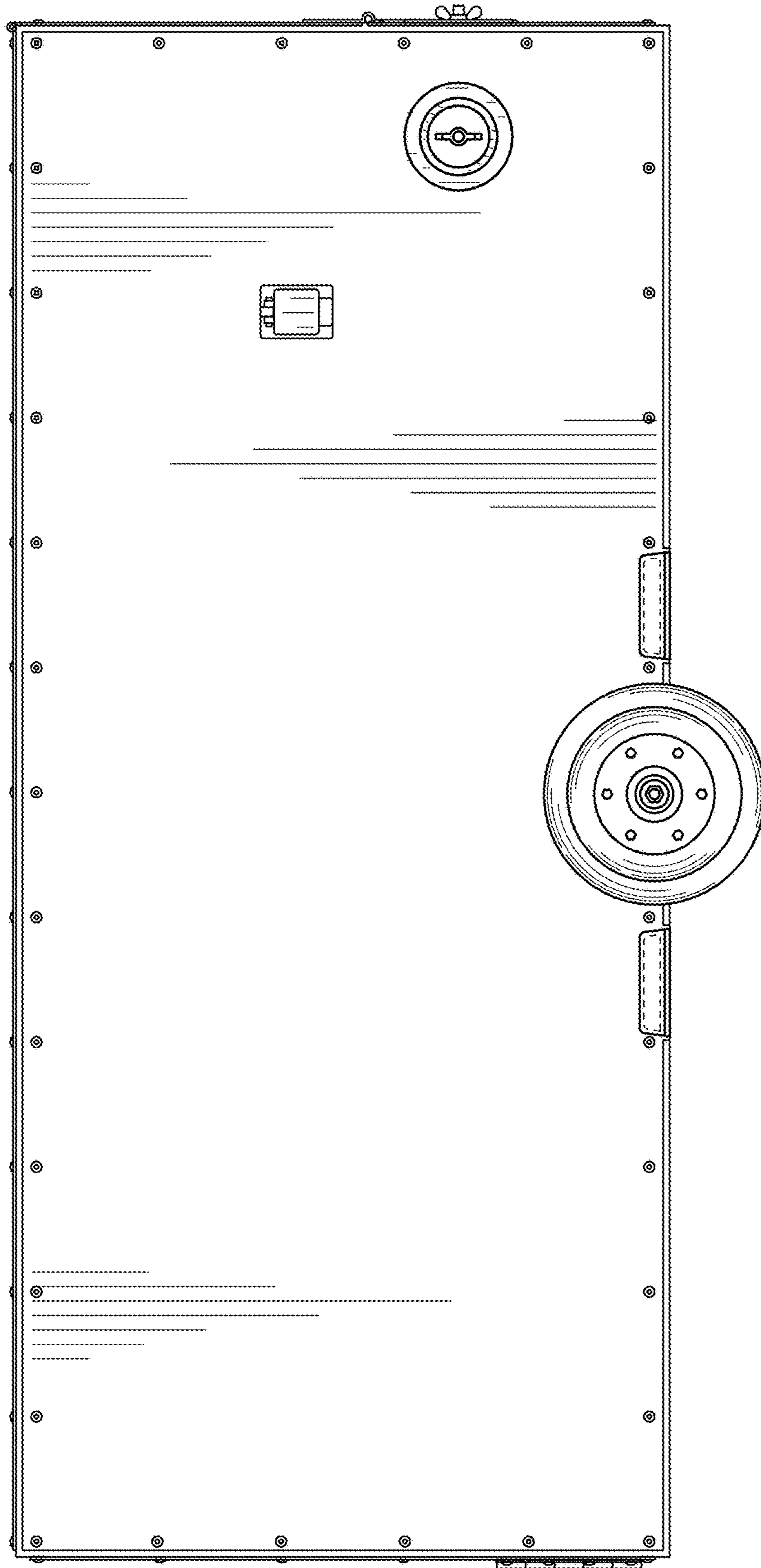


FIG. 6

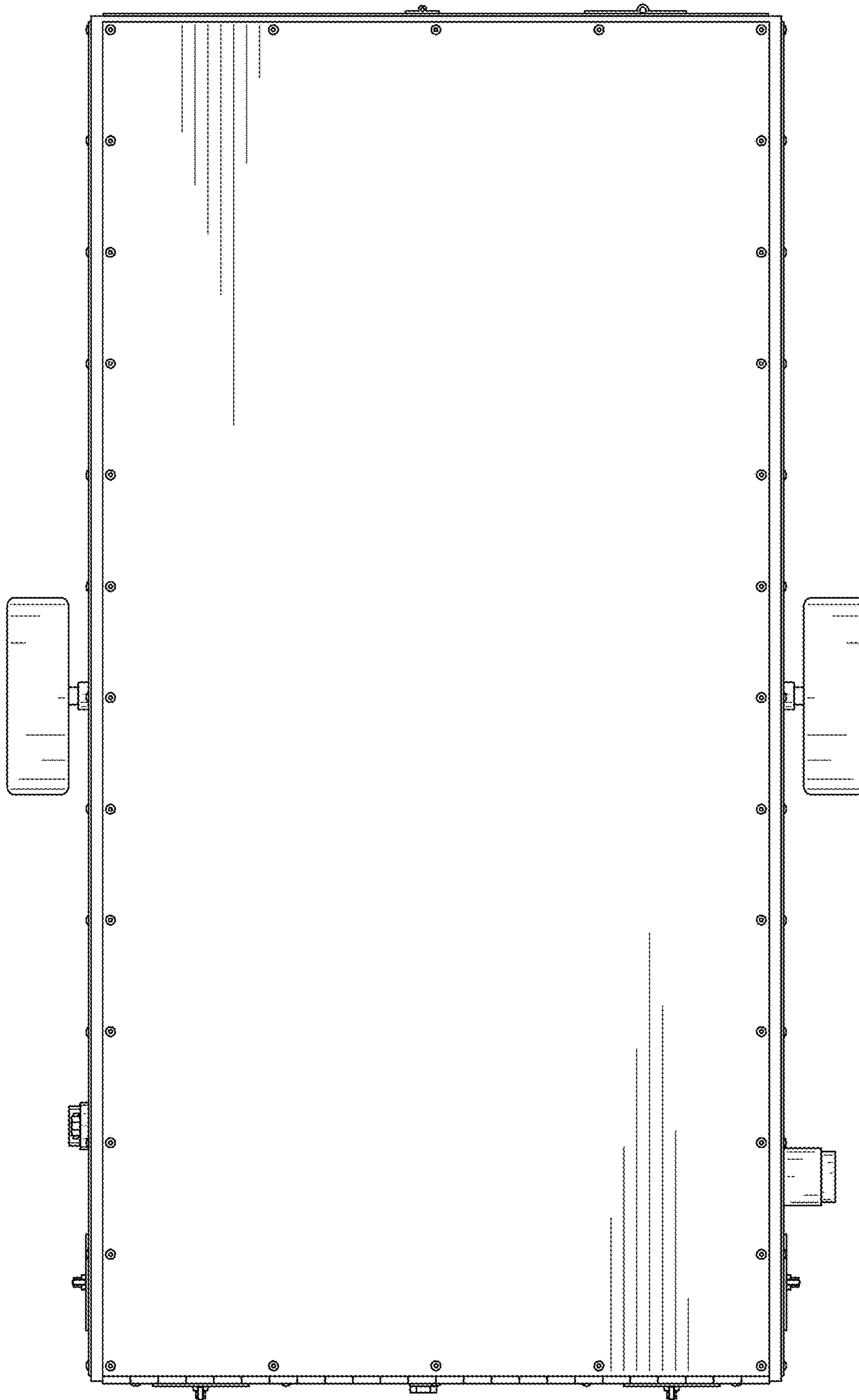


FIG. 7

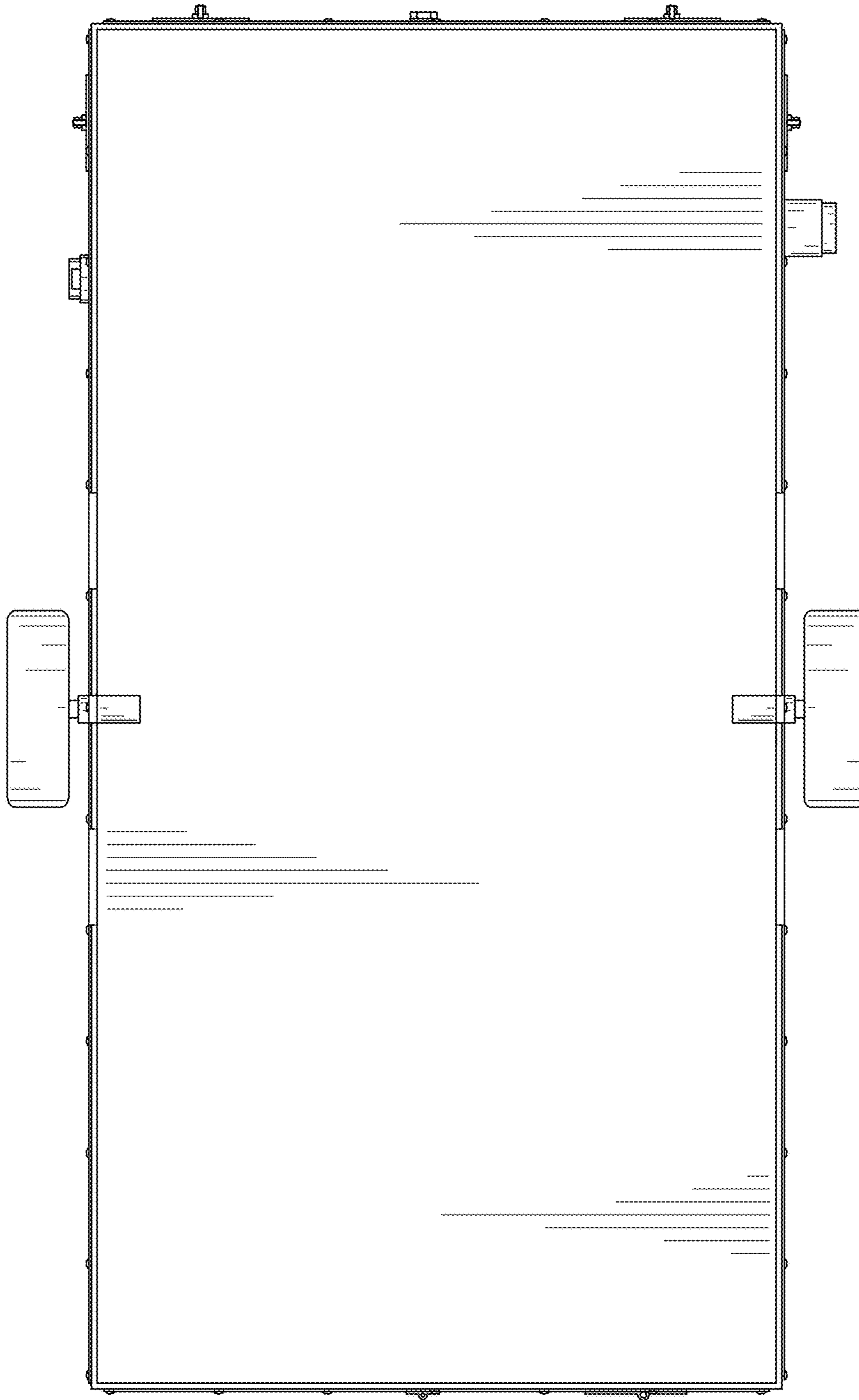


FIG. 8

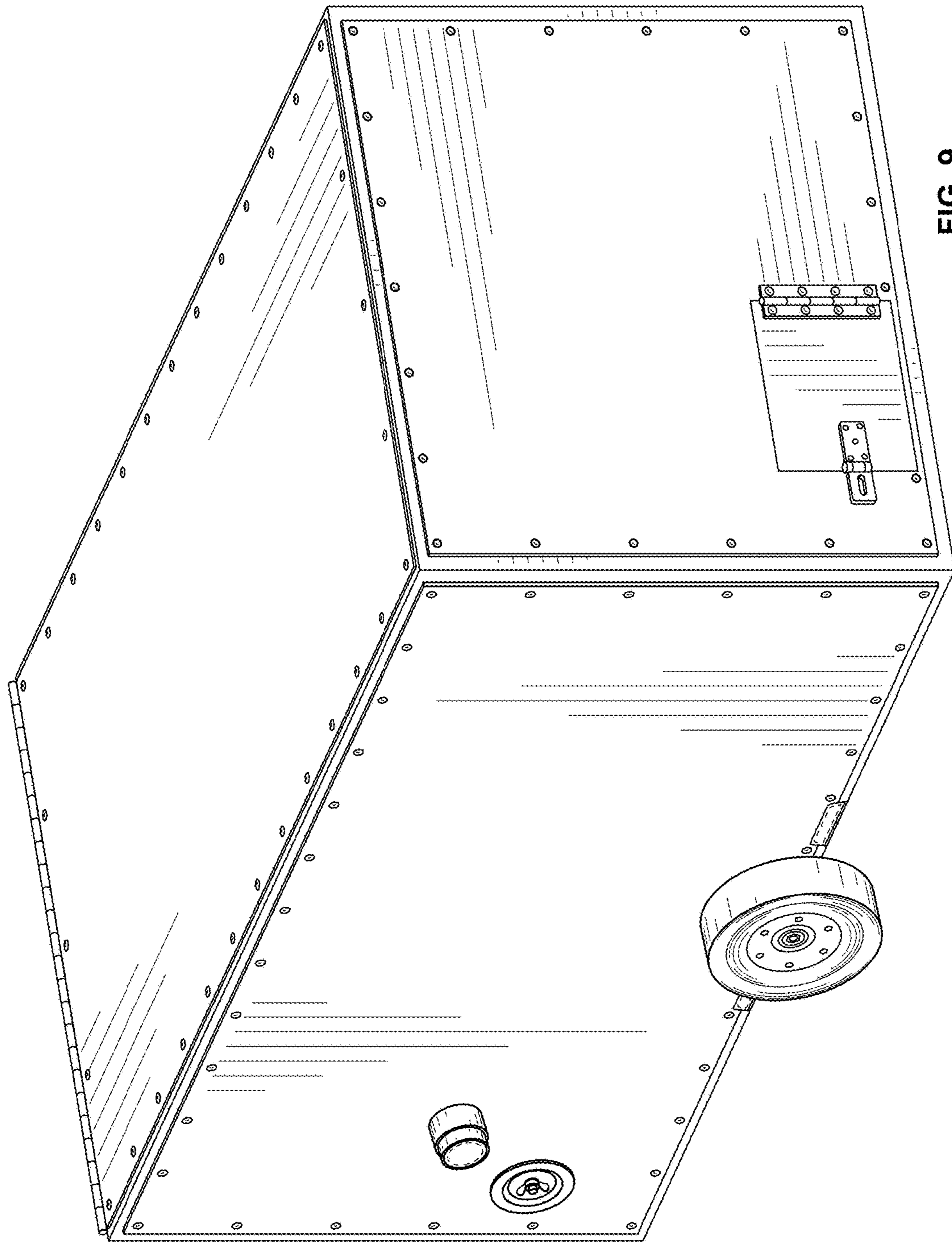


FIG. 9