



US00D822538S

(12) **United States Design Patent**  
**Lin**

(10) **Patent No.:** **US D822,538 S**  
(45) **Date of Patent:** **\*\* Jul. 10, 2018**

(54) **ELASTIC ELEMENT**  
(71) Applicant: **CHUNG CHWAN ENTERPRISE CO., LTD.**, Taoyuan (TW)  
(72) Inventor: **Yu-Pau Lin**, Taoyuan (TW)  
(73) Assignee: **CHUNG CHWAN ENTERPRISE CO., LTD.**, Taoyuan (TW)  
(\*\*) Term: **15 Years**  
(21) Appl. No.: **29/591,814**  
(22) Filed: **Jan. 24, 2017**

4,768,263 A \* 9/1988 Fukuroi ..... A44B 19/306  
24/418  
5,031,286 A \* 7/1991 Kedzierski ..... A44B 19/26  
24/421  
5,093,966 A \* 3/1992 Yuki ..... A44B 19/262  
24/419  
5,875,525 A \* 3/1999 Lee ..... A44B 19/26  
24/429  
6,314,624 B1 \* 11/2001 Lin ..... A44B 19/308  
24/421  
6,588,072 B1 \* 7/2003 Lin ..... A44B 19/265  
24/416  
7,340,805 B2 \* 3/2008 Lin ..... A44B 19/308  
24/421

(Continued)

(30) **Foreign Application Priority Data**

Oct. 21, 2016 (TW) ..... 105306359

(51) **LOC (11) Cl.** ..... **02-07**  
(52) **U.S. Cl.**  
USPC ..... **D11/221**

(58) **Field of Classification Search**  
USPC ..... D11/200, 201, 221; 24/381–383,  
24/385–387, 414–417, 421–422, 427–431,  
24/433; 2/265; D2/641, 642; 294/3.6;  
223/118; D8/33, 34, 40  
CPC ..... A44B 19/00; A44B 19/02; A44B 19/04;  
A44B 19/10; A44B 19/26; A44B 19/30;  
A44B 19/06; A44B 19/16; G02C 3/003  
See application file for complete search history.

(56) **References Cited**

**U.S. PATENT DOCUMENTS**

2,657,444 A \* 11/1953 Bashover ..... A44B 19/306  
24/422  
3,793,684 A \* 2/1974 Moertel ..... A44B 19/26  
24/421  
4,139,928 A \* 2/1979 Aoki ..... A44B 19/26  
24/424  
4,422,220 A \* 12/1983 Oda ..... A44B 19/306  
24/421

*Primary Examiner* — Ralf Seifert  
(74) *Attorney, Agent, or Firm* — Li & Cai Intellectual  
Property (USA) Office

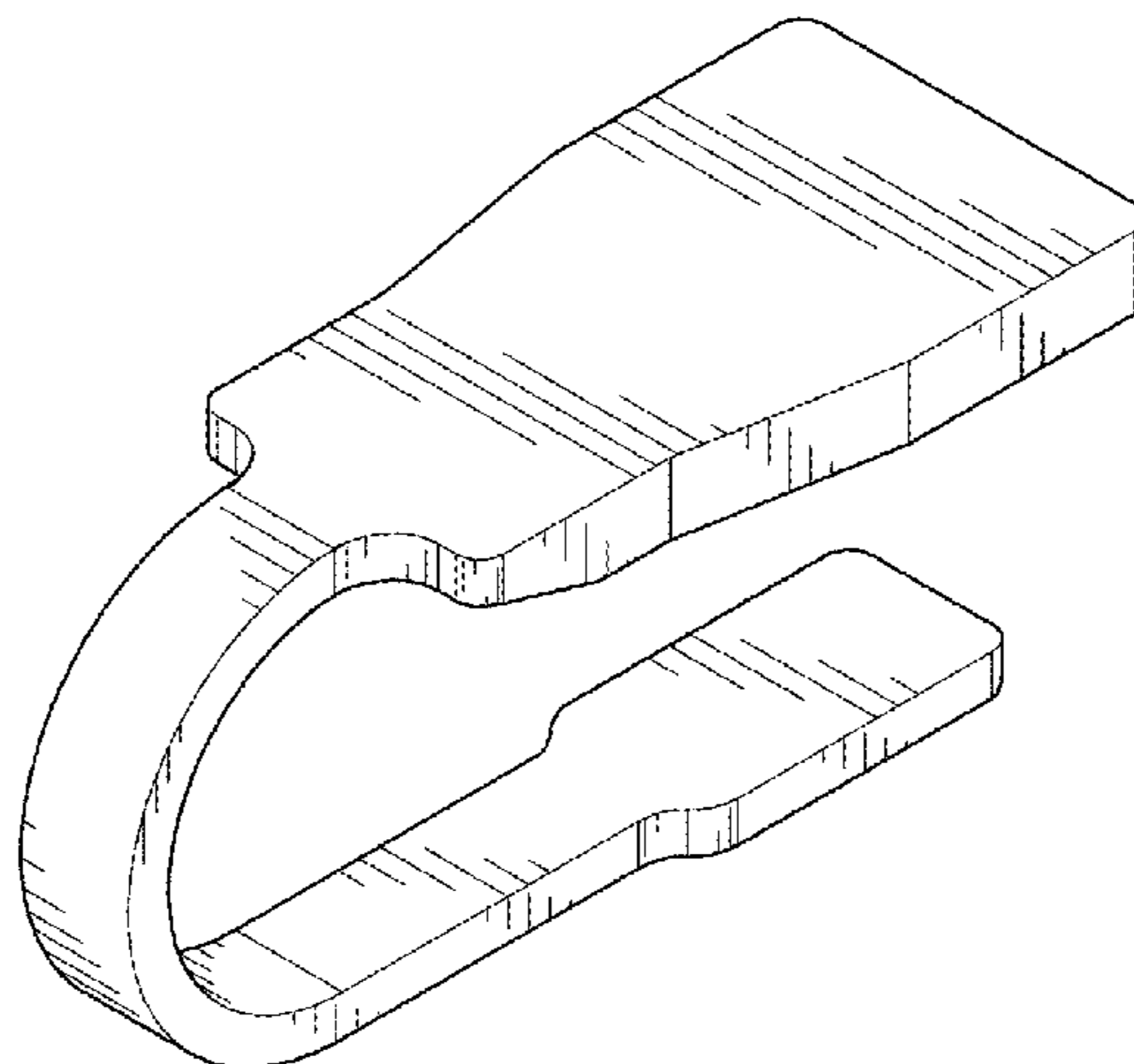
(57) **CLAIM**

The ornamental design for an “elastic element,” as shown  
and described.

**DESCRIPTION**

FIG. 1 is a perspective view of an elastic element showing  
my new design;  
FIG. 2 is a front view thereof;  
FIG. 3 is a rear view thereof;  
FIG. 4 is a left side view thereof;  
FIG. 5 is a right side view thereof;  
FIG. 6 is a top view thereof;  
FIG. 7 is a bottom view thereof;  
FIG. 8 is a perspective view viewed from another visual  
angle thereof; and,  
FIG. 9 is a referential view showing my new design as it  
would appear when in use.  
The broken line showing of a slider in FIG. 9 is included for  
the purpose of illustrating environmental matter and forms  
no part of the claimed design.

**1 Claim, 7 Drawing Sheets**



(56)

**References Cited**

U.S. PATENT DOCUMENTS

7,866,012 B2 \* 1/2011 Keyaki ..... A44B 19/308  
24/415  
7,891,061 B2 \* 2/2011 Lin ..... A44B 19/308  
24/424  
9,775,412 B2 \* 10/2017 Lin ..... A44B 19/308

\* cited by examiner

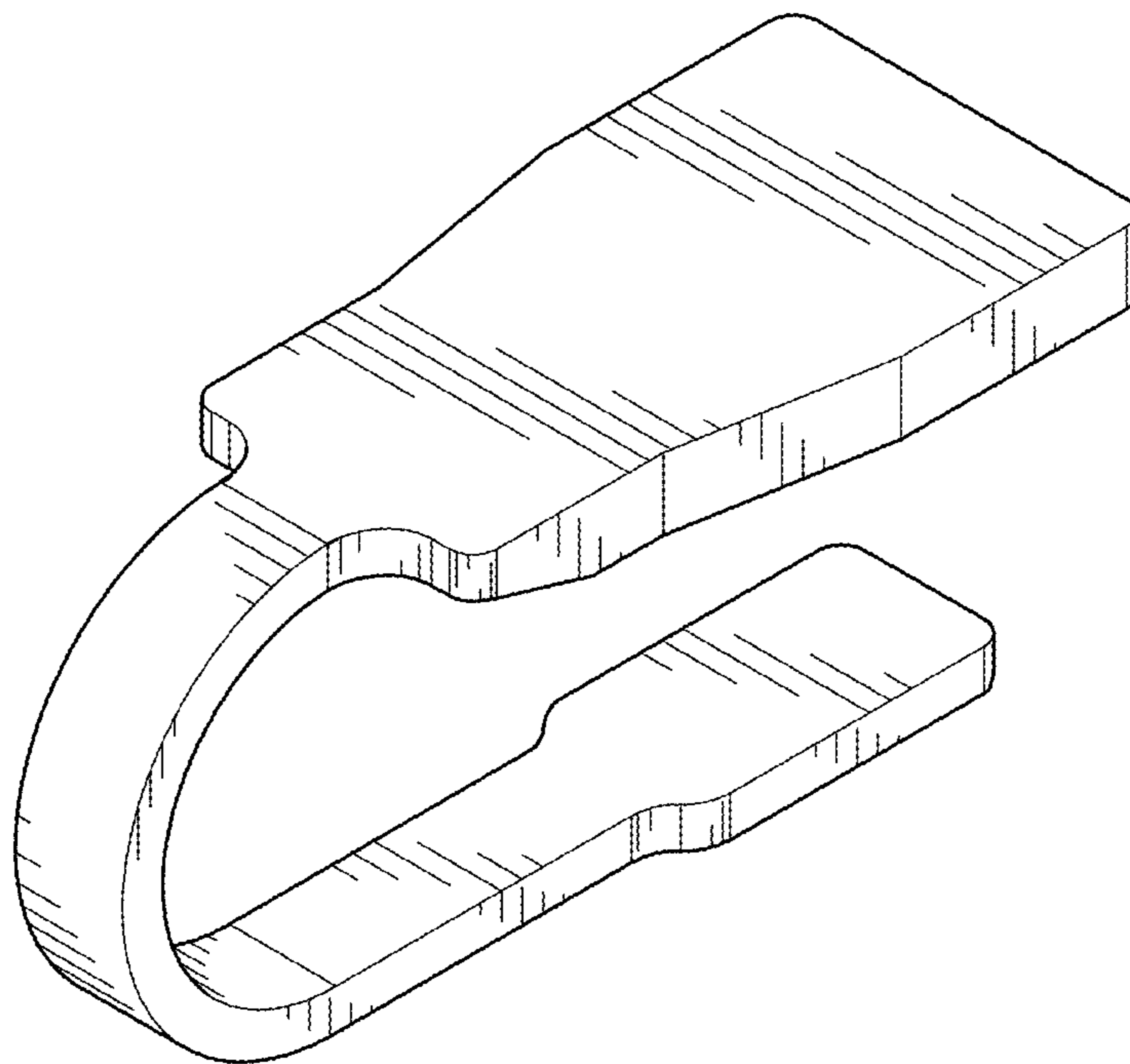


FIG. 1

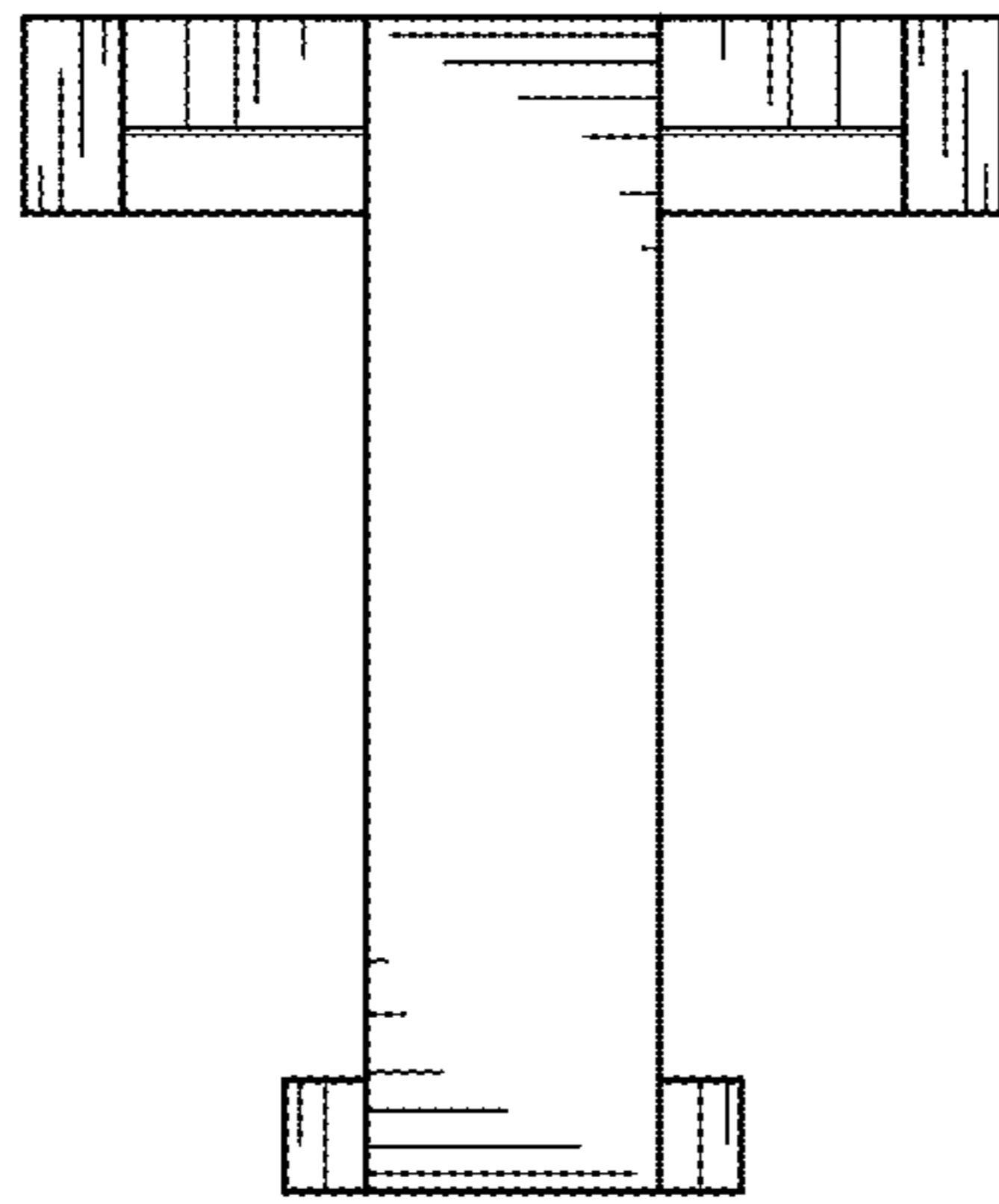


FIG. 2

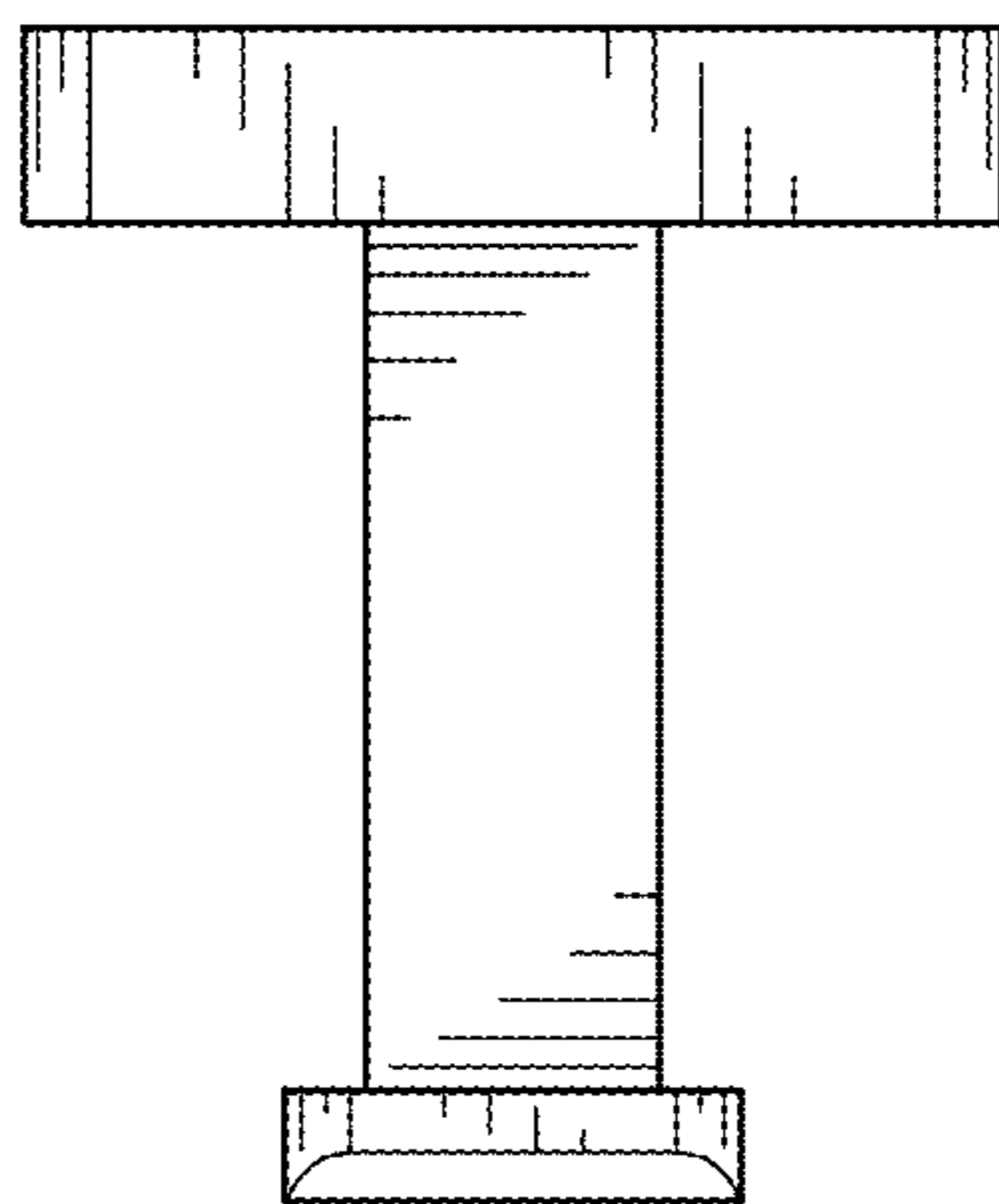


FIG. 3

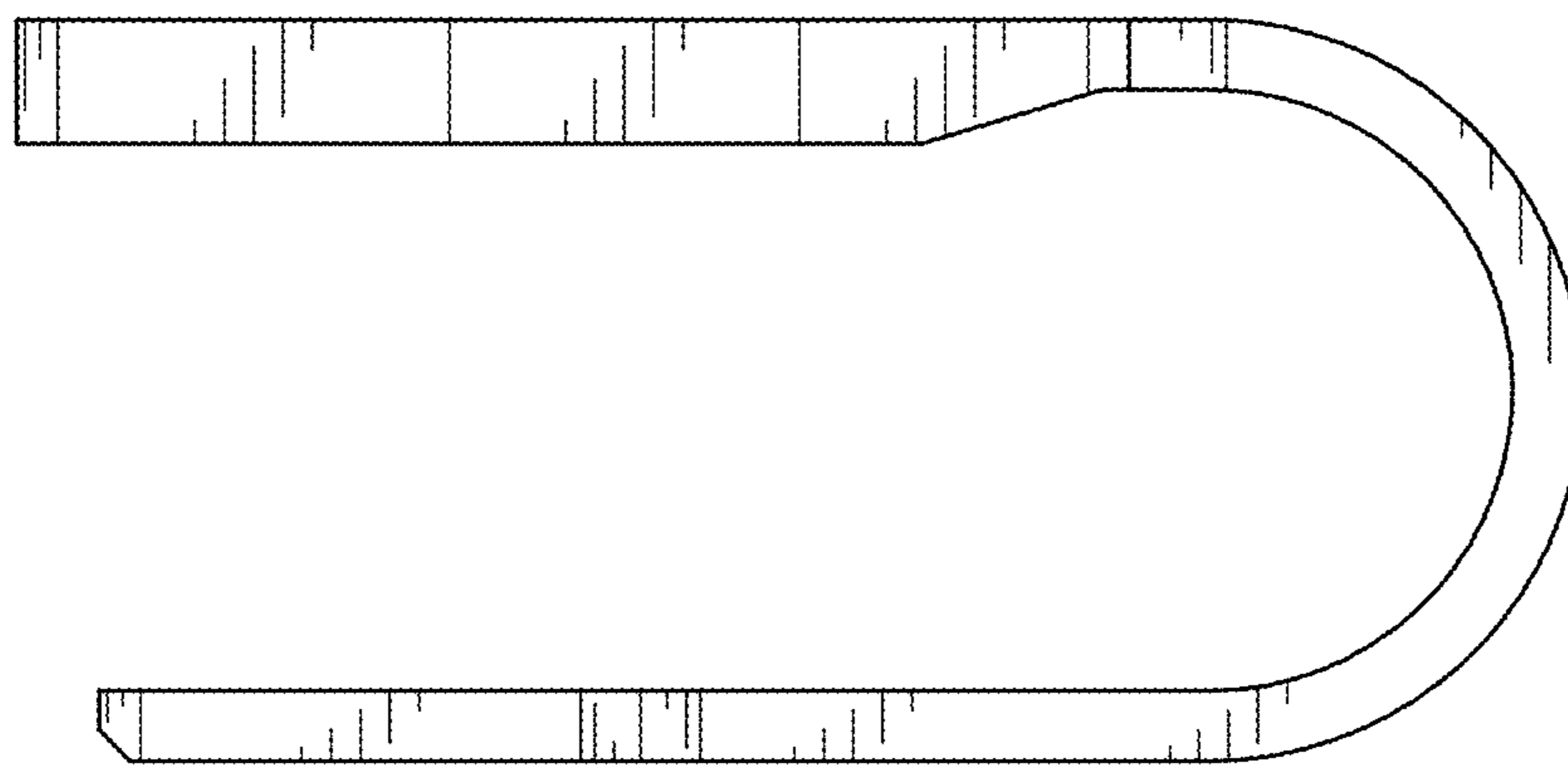


FIG. 4

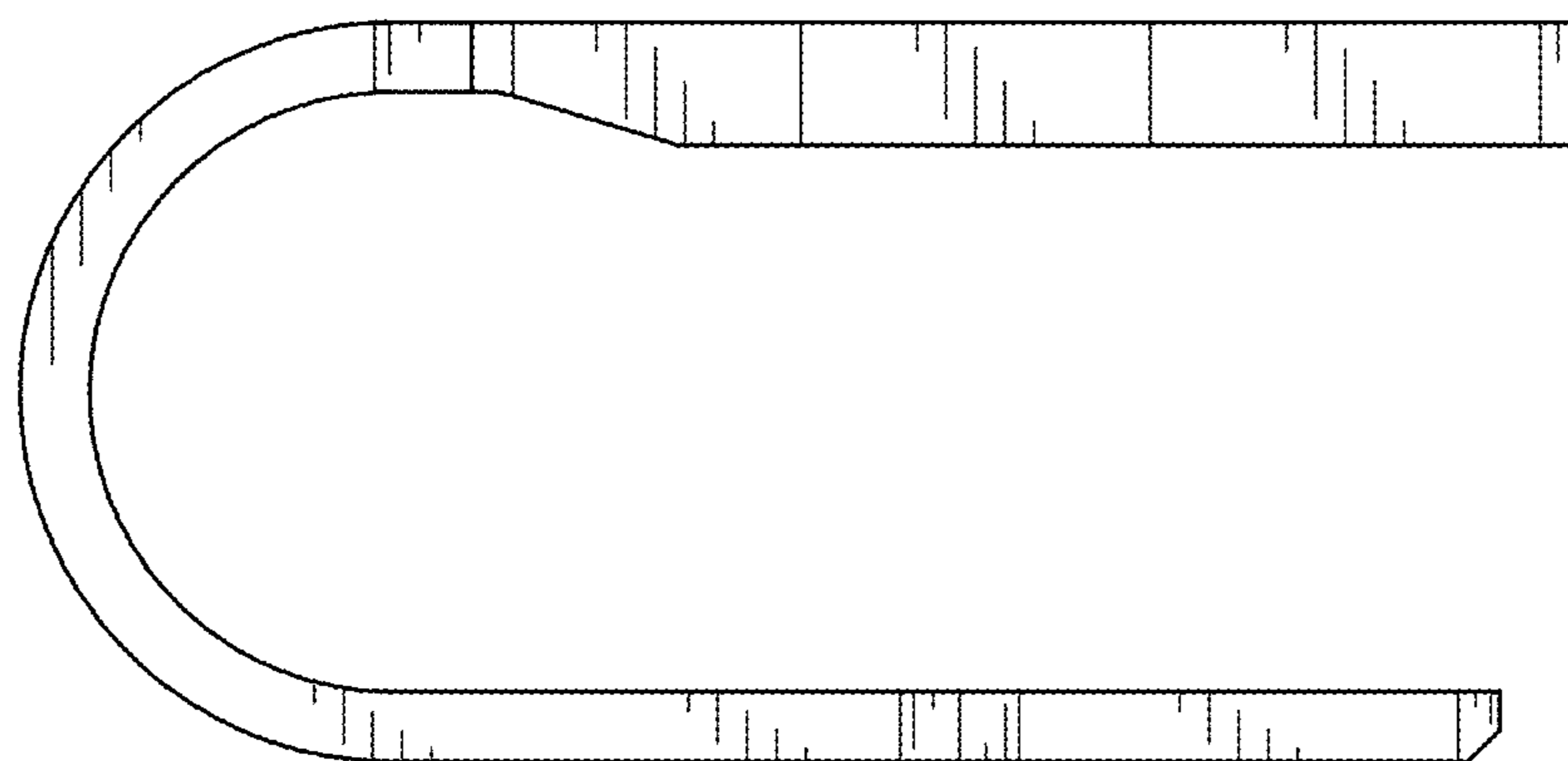


FIG. 5

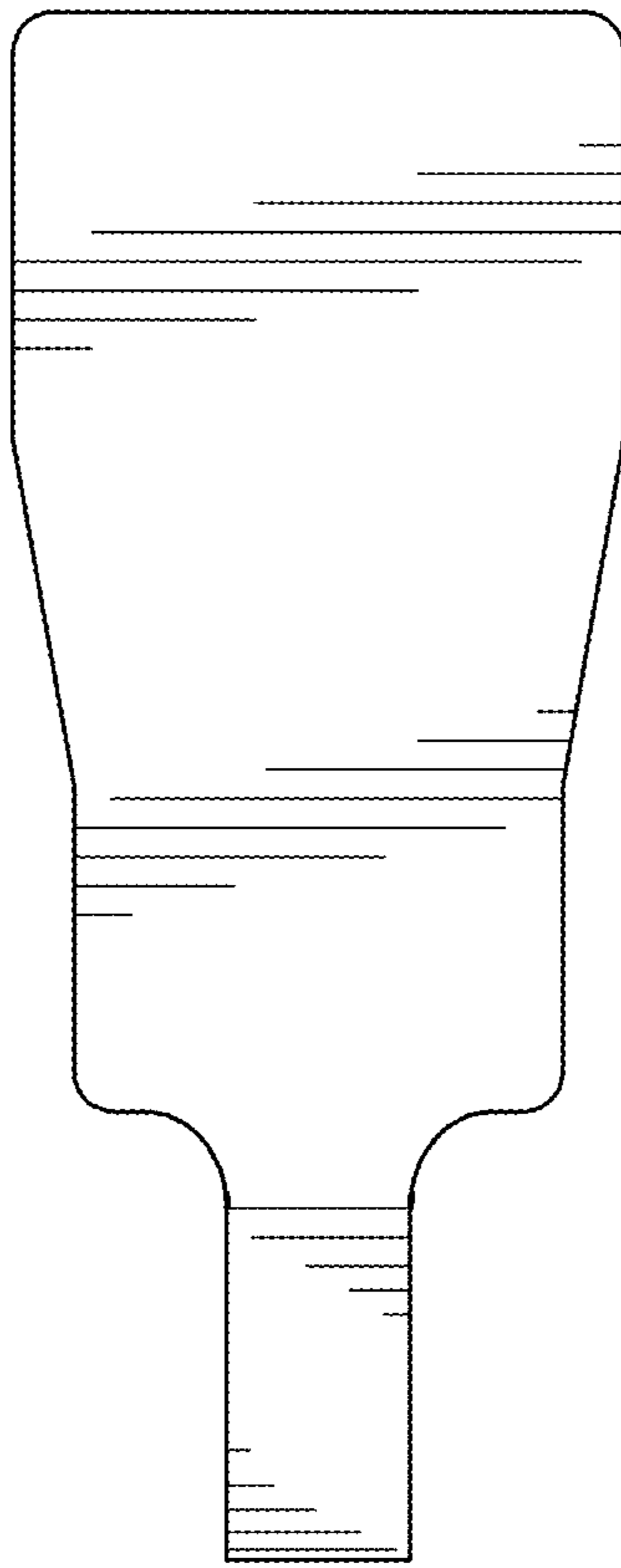


FIG. 6

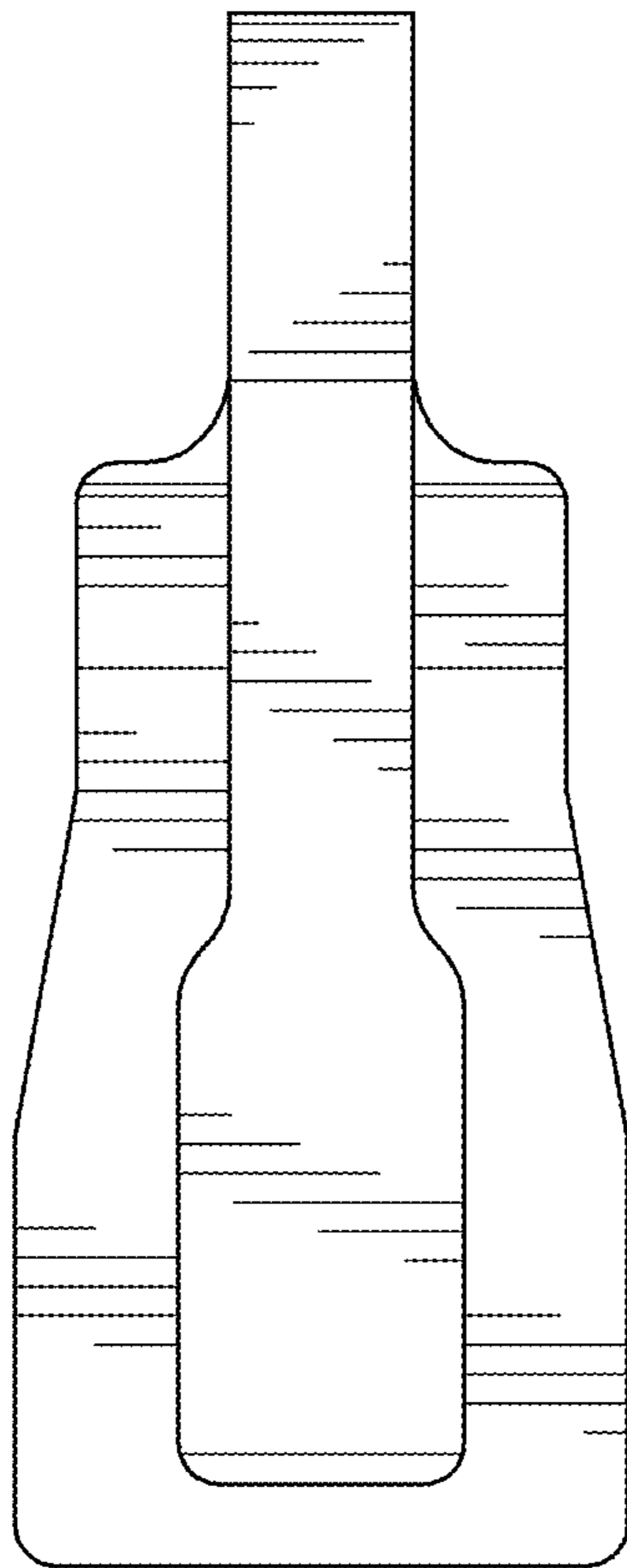


FIG. 7

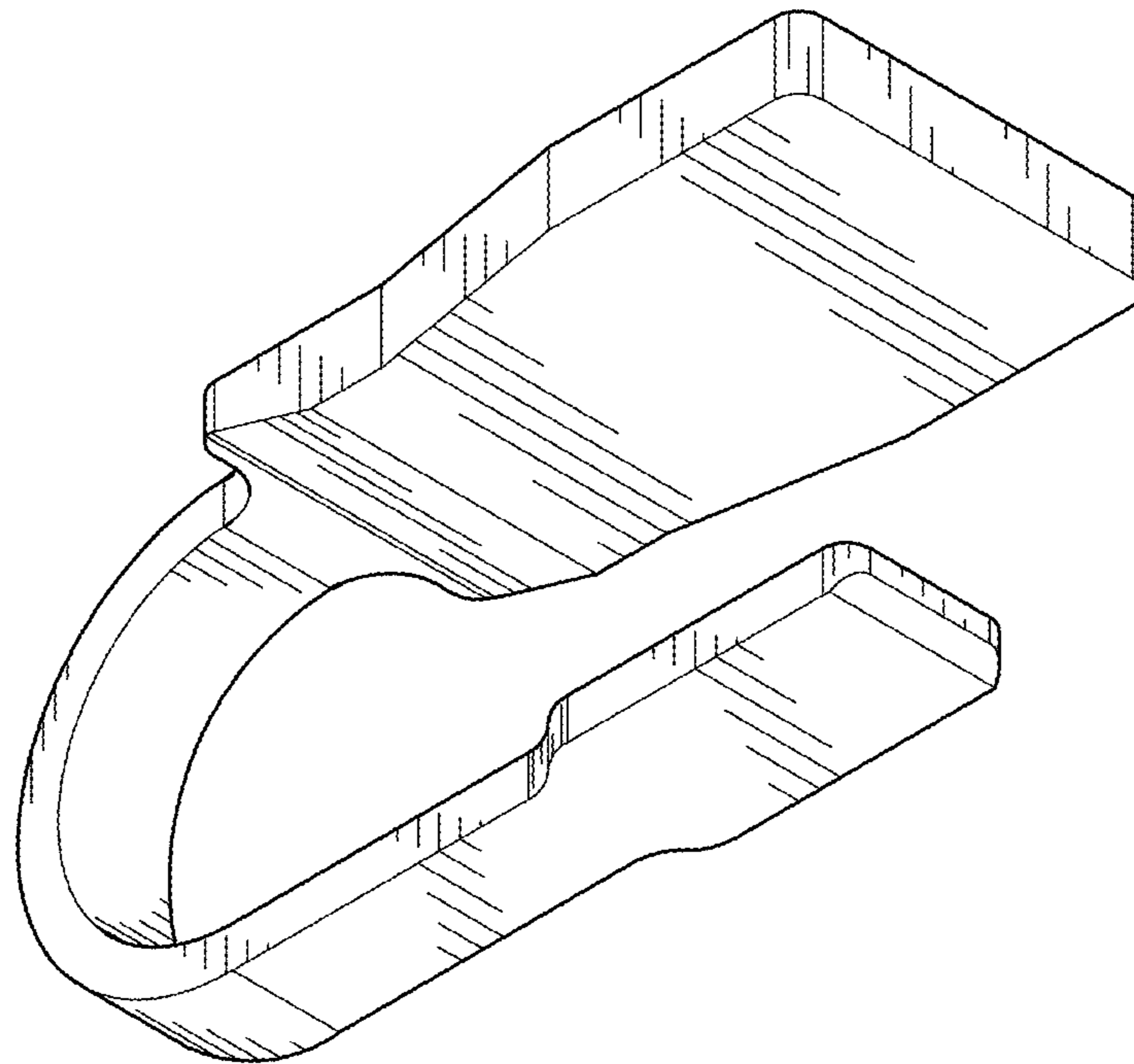


FIG. 8



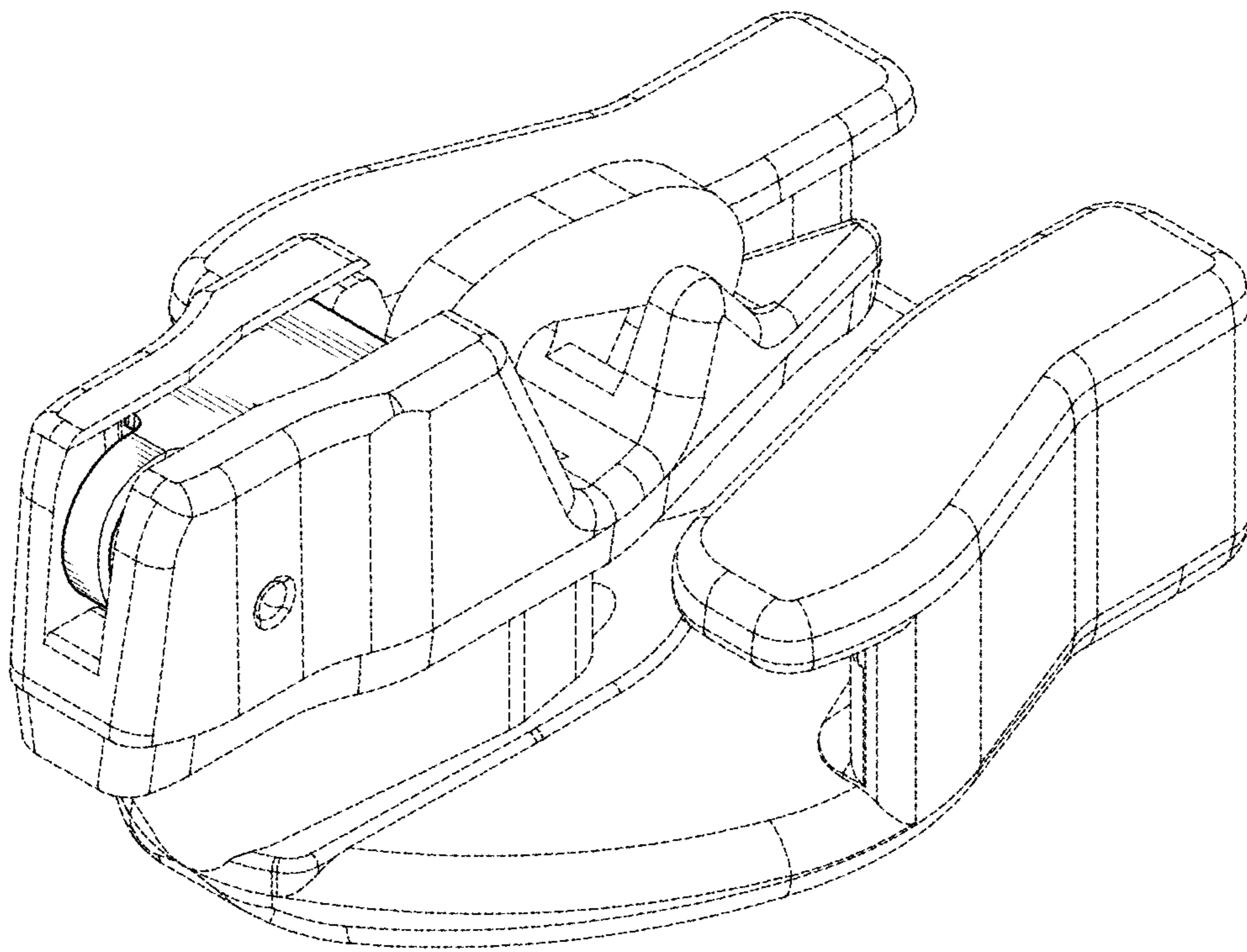


FIG. 9