



US00D822537S

(12) **United States Design Patent**  
**Smuin**

(10) **Patent No.:** **US D822,537 S**

(45) **Date of Patent:** **\*\* Jul. 10, 2018**

- (54) **BUCKLE**
- (71) Applicant: **LUNA SANDALS, LLC**, Seattle, WA (US)
- (72) Inventor: **Scott Smuin**, Seattle, CA (US)
- (73) Assignee: **LUNA SANDALS**, Seattle, WA (US)
- (\*\*) Term: **15 Years**
- (21) Appl. No.: **29/610,779**
- (22) Filed: **Jul. 14, 2017**
- (51) **LOC (11) Cl.** ..... **02-07**
- (52) **U.S. Cl.**  
USPC ..... **D11/218**
- (58) **Field of Classification Search**  
USPC ..... D11/1-2, 200-201, 206-210, 214-218;  
24/163 R, 169-171, 173, 177-179, 191,  
24/194-195, 197, 200, 559, 614-616,  
24/625, 198, 578.11, 578.1, 163 K, 114;  
D2/853, 624  
CPC ..... A44B 11/26; A44B 11/25; A44B 11/06;  
A44B 11/266; A44B 11/04; A44B 11/01;  
A44B 11/001; A44B 11/10; A01K  
27/001; A01K 27/006; A01K 27/00;  
A01K 27/005  
See application file for complete search history.

- D672,280 S \* 12/2012 Schurian ..... D11/218
- D709,797 S \* 7/2014 Iannello ..... D11/218
- D710,250 S \* 8/2014 Iannello ..... D11/218
- 8,869,654 B2 \* 10/2014 Fidrych ..... A01K 27/006  
81/3.09
- 8,984,725 B2 \* 3/2015 Fidrych ..... A01K 27/005  
24/637
- 9,027,515 B2 \* 5/2015 Fidrych ..... A01K 27/00  
119/858
- D743,842 S \* 11/2015 La Guzza ..... D11/218
- D750,850 S \* 3/2016 Javornick ..... D11/218
- D750,851 S \* 3/2016 Whitfield ..... D11/218
- D757,376 S \* 5/2016 Blizzard ..... D11/218
- D786,032 S \* 5/2017 Fidrych ..... D8/34
- 9,775,328 B1 \* 10/2017 Fidrych ..... A01K 27/001
- D816,545 S \* 5/2018 Kelleghan ..... D11/218

\* cited by examiner

*Primary Examiner* — Ralf T Seifert

(74) *Attorney, Agent, or Firm* — Soquel Group LLC

(57) **CLAIM**

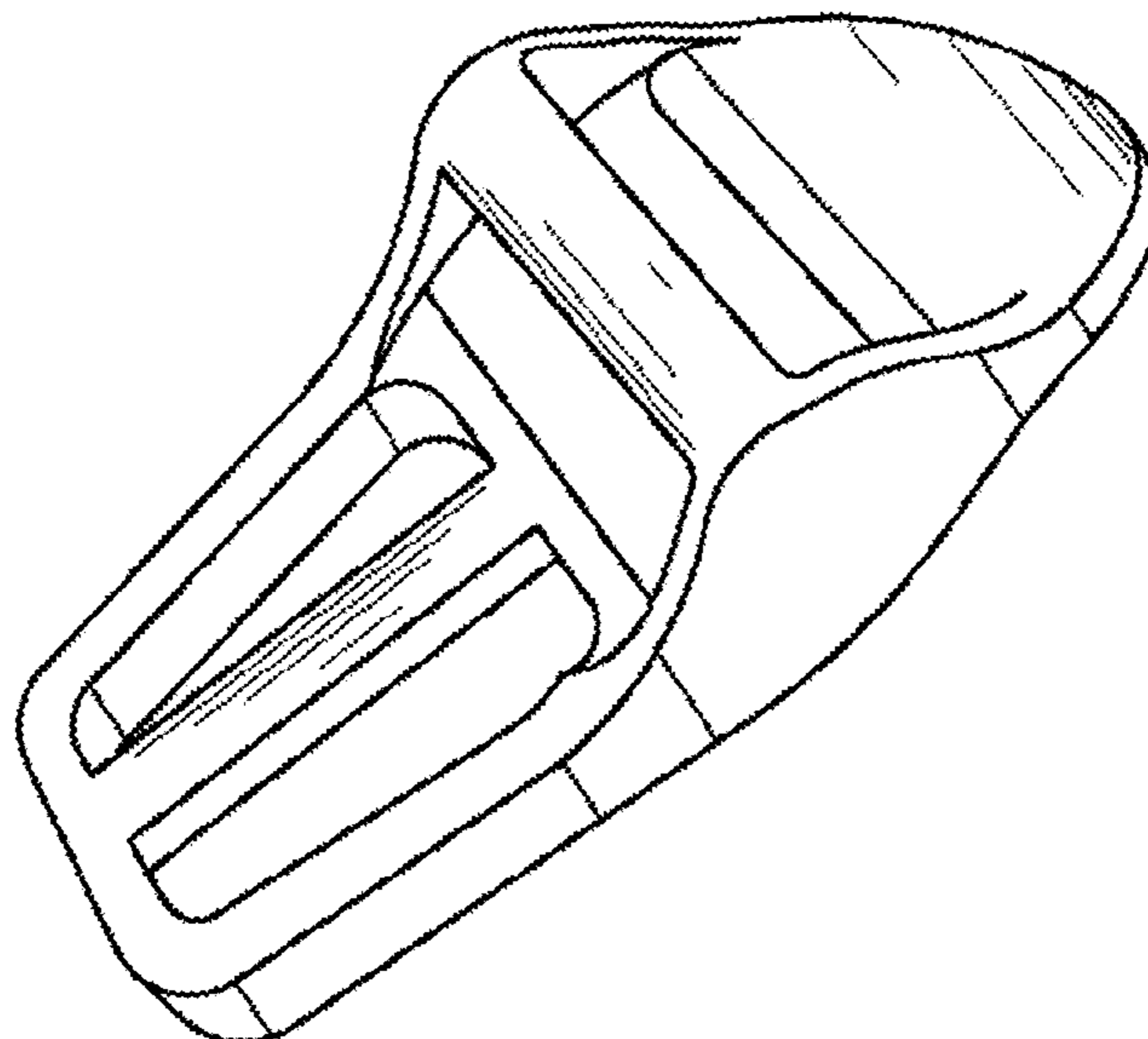
The ornamental design for a buckle, substantially as shown and described.

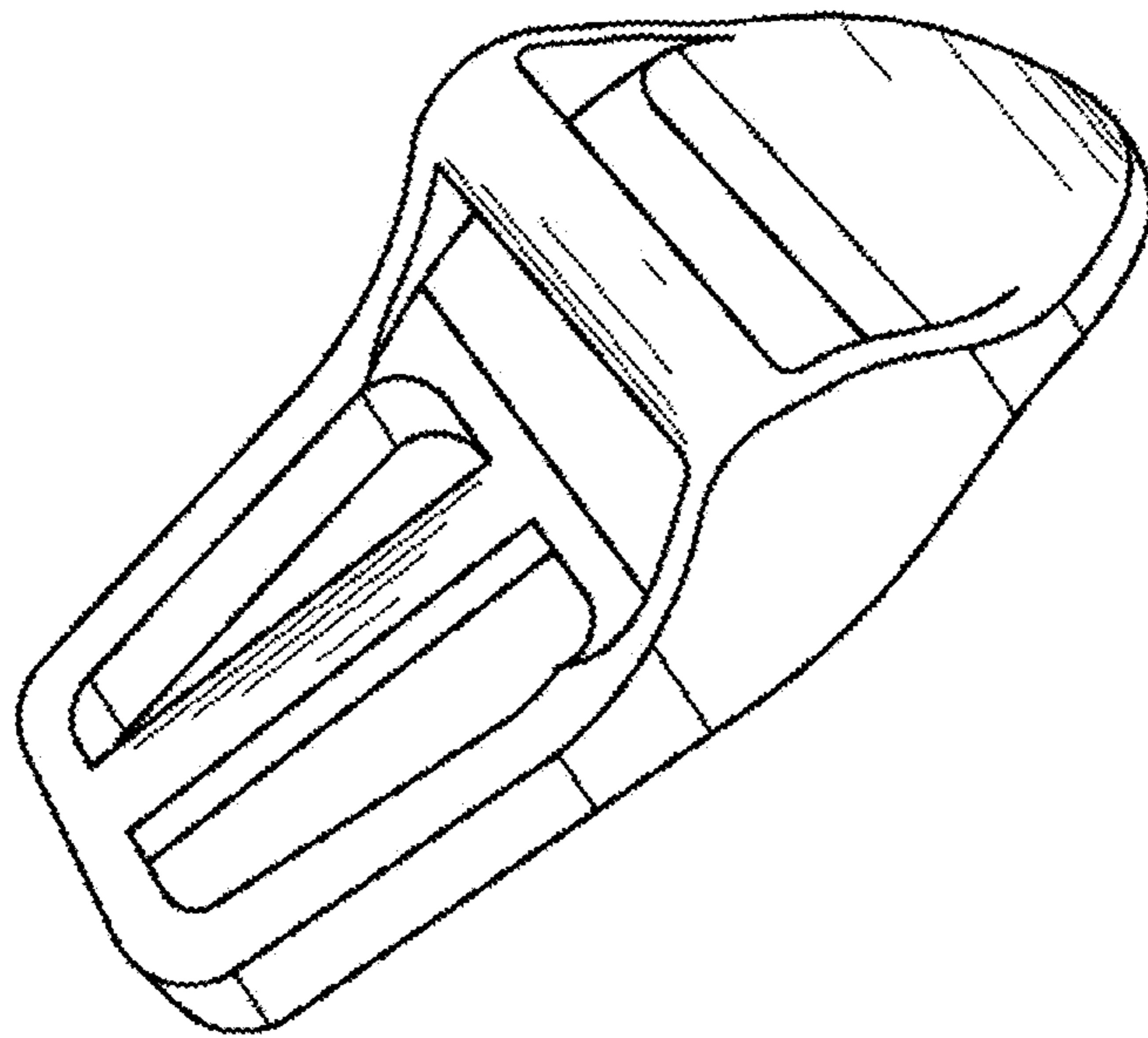
**DESCRIPTION**

FIG. 1 is a perspective view of the top of a buckle showing our new design;  
FIG. 2 is a side elevation view thereof; the other side is a mirror image thereof;  
FIG. 3 is a top view thereof; and,  
FIG. 4 is a bottom view thereof.

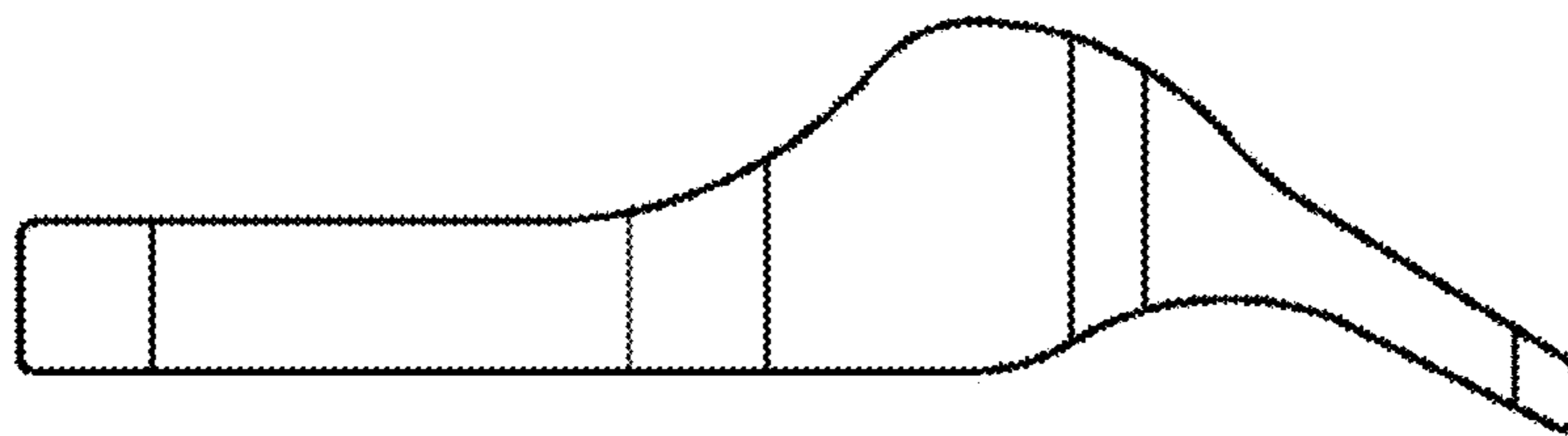
- (56) **References Cited**  
U.S. PATENT DOCUMENTS  
D633,415 S \* 3/2011 Grimm ..... D11/218  
D651,123 S \* 12/2011 Kaneko ..... D11/218

**1 Claim, 4 Drawing Sheets**

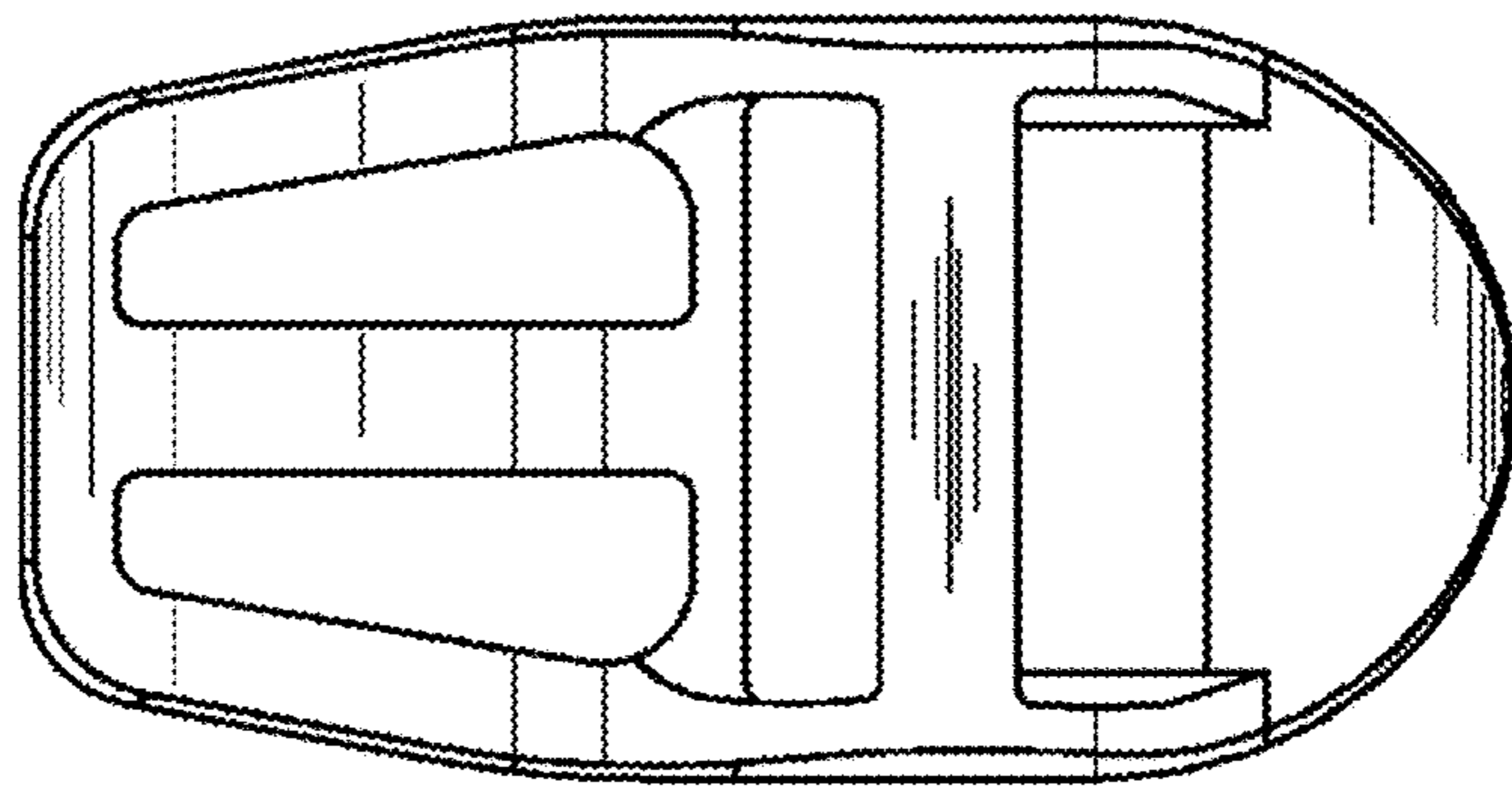




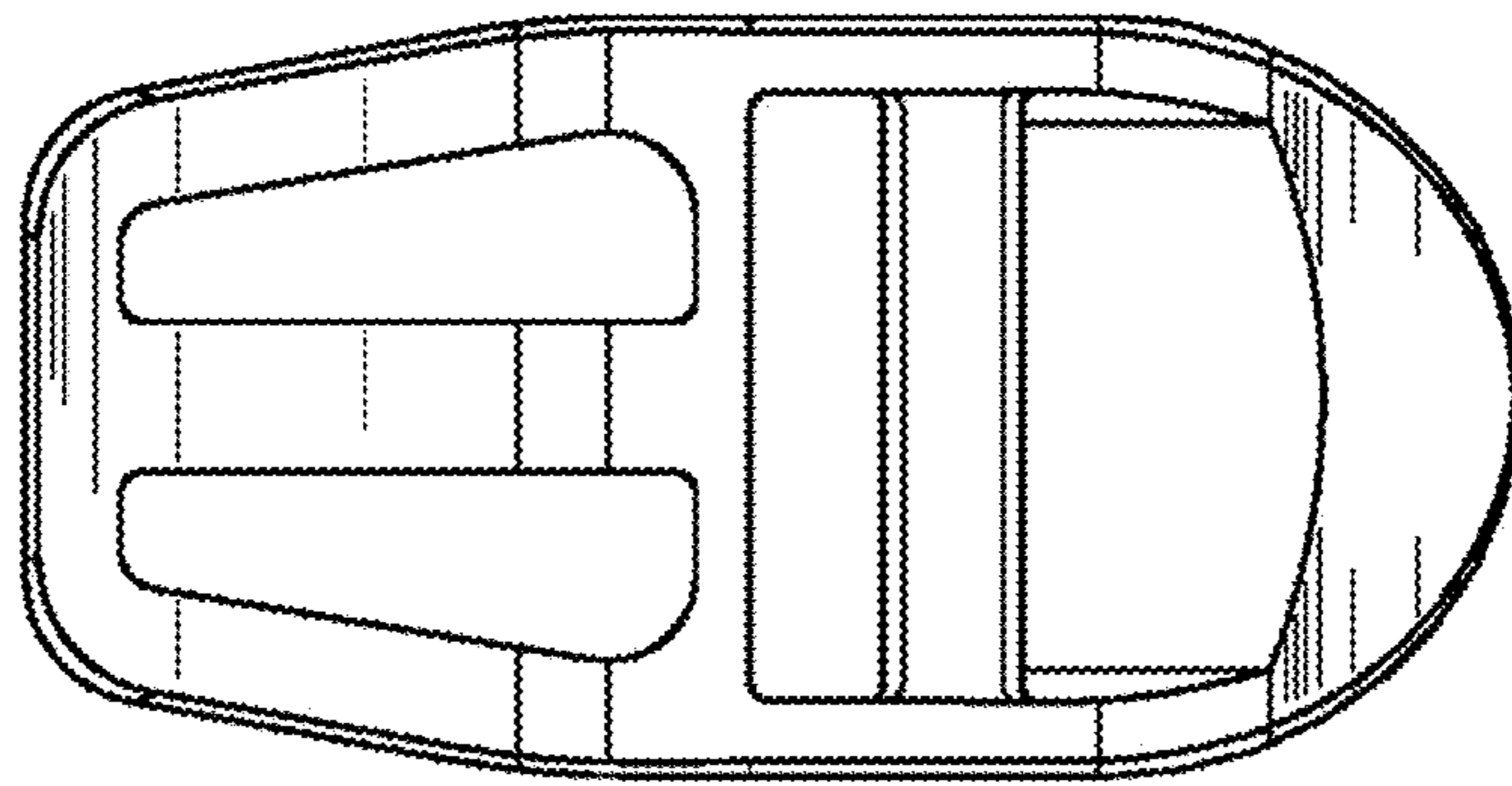
**FIG. 1**



**FIG. 2**



**FIG. 3**



**FIG. 4**