



US00D822536S

(12) **United States Design Patent**
Wu

(10) **Patent No.:** **US D822,536 S**
(45) **Date of Patent:** **** Jul. 10, 2018**

(54) **MAGNETIC BUCKLE**

D625,656 S * 10/2010 Kosh D11/216
D684,500 S * 6/2013 Lassiter D11/200
D748,530 S * 2/2016 Paik D11/216
D752,479 S * 3/2016 Taylor D11/201

(71) Applicant: **Transcend Information, Inc.**, Taipei (TW)

* cited by examiner

(72) Inventor: **Fang-Chung Wu**, New Taipei (TW)

Primary Examiner — Ralf T Seifert

(73) Assignee: **Transcend Information, Inc.**, Taipei (TW)

(74) *Attorney, Agent, or Firm* — CKC & Partners Co., Ltd.

(**) Term: **15 Years**

(21) Appl. No.: **29/609,941**

(57) **CLAIM**

(22) Filed: **Jul. 7, 2017**

The ornamental design for a magnetic buckle, as shown and described.

(51) **LOC (11) Cl.** **02-07**

(52) **U.S. Cl.**
USPC **D11/216**

(58) **Field of Classification Search**
USPC D11/1-2, 200-201, 206-210, 214-218;
24/163 R, 169-171, 173, 177-179, 191,
24/194-195, 197, 200, 614-616, 625,
24/198, 578.11, 578.1, 163 K, 114;
D2/853, 624

DESCRIPTION

CPC A44B 11/26; A44B 11/25; A44B 11/06;
A44B 11/266; A44B 11/04; A44B 11/01;
A44B 11/001; A44B 11/10

FIG. 1 is a perspective view of a magnetic buckle showing my new design;
FIG. 2 is a front elevational view thereof;
FIG. 3 is a rear elevational view thereof;
FIG. 4 is a left side elevational view thereof;
FIG. 5 is a right side elevational view thereof;
FIG. 6 is a top plan view thereof;
FIG. 7 is a bottom plan view thereof; and,
FIG. 8 is another perspective view thereof.
The broken lines in the drawings illustrate portions of the magnetic buckle which form no part of the claimed design.

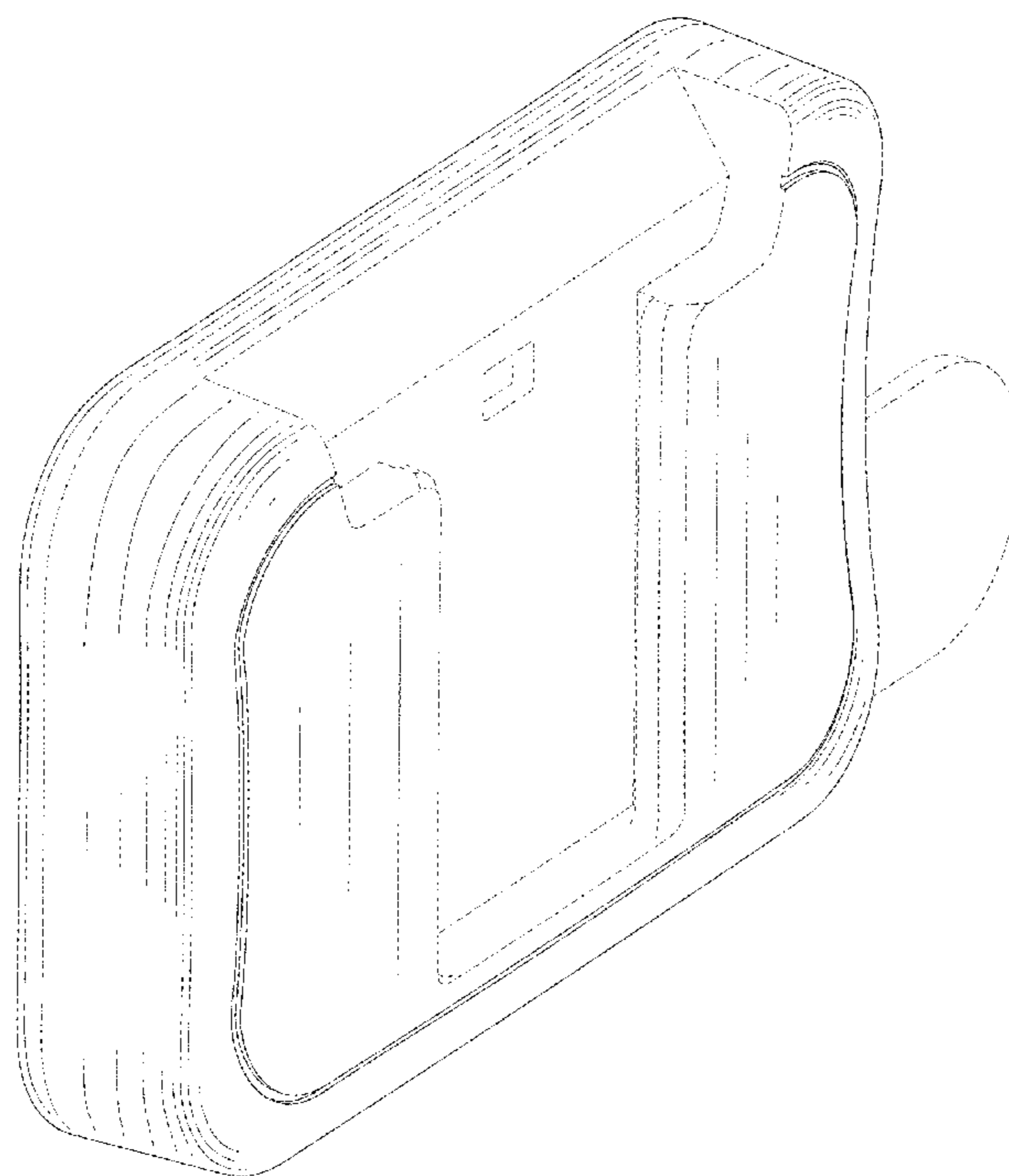
See application file for complete search history.

(56) **References Cited**

U.S. PATENT DOCUMENTS

D258,700 S * 3/1981 Fletcher D11/218
D359,709 S * 6/1995 Miller D11/216

1 Claim, 8 Drawing Sheets



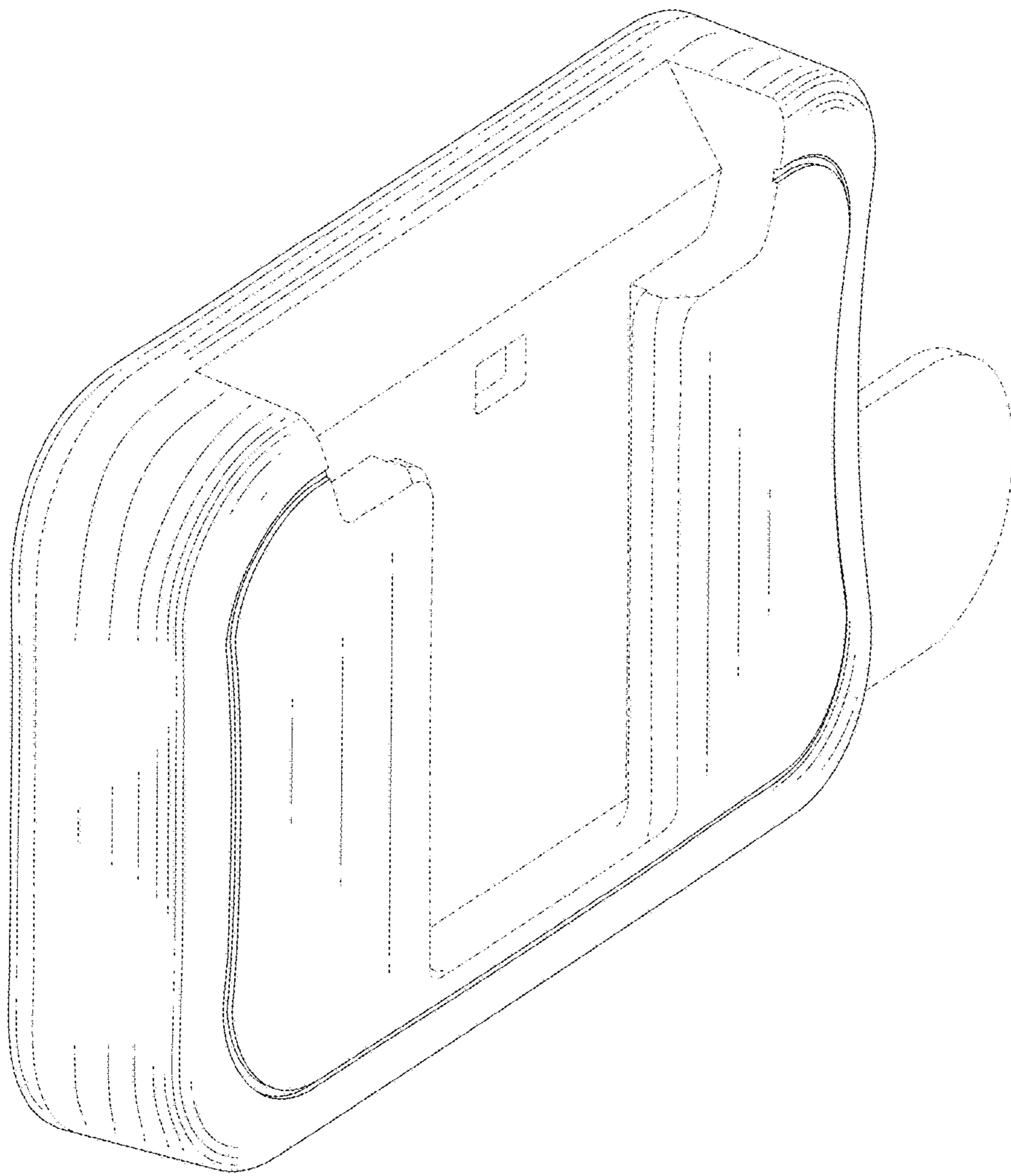


Fig. 1

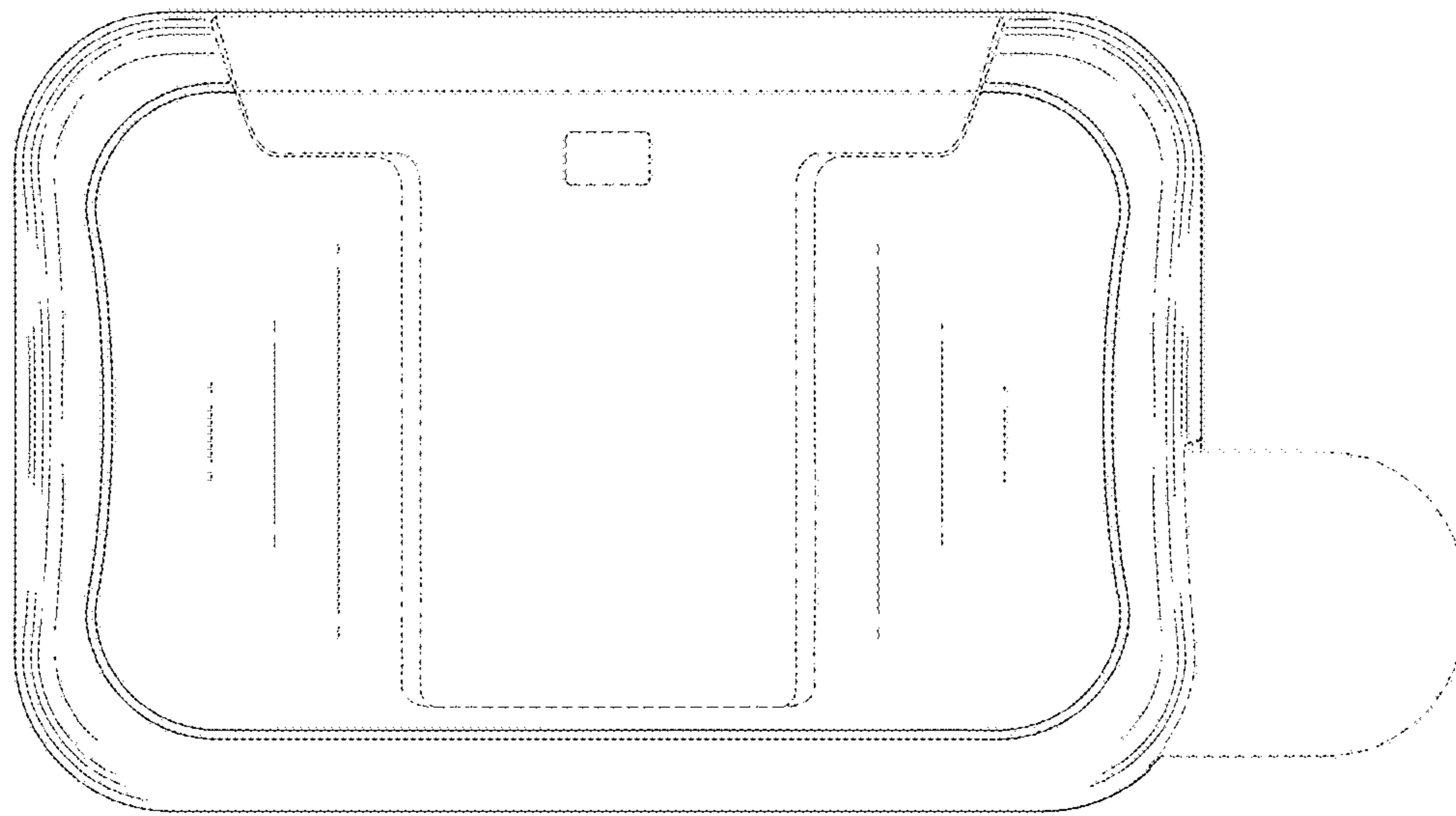


Fig. 2

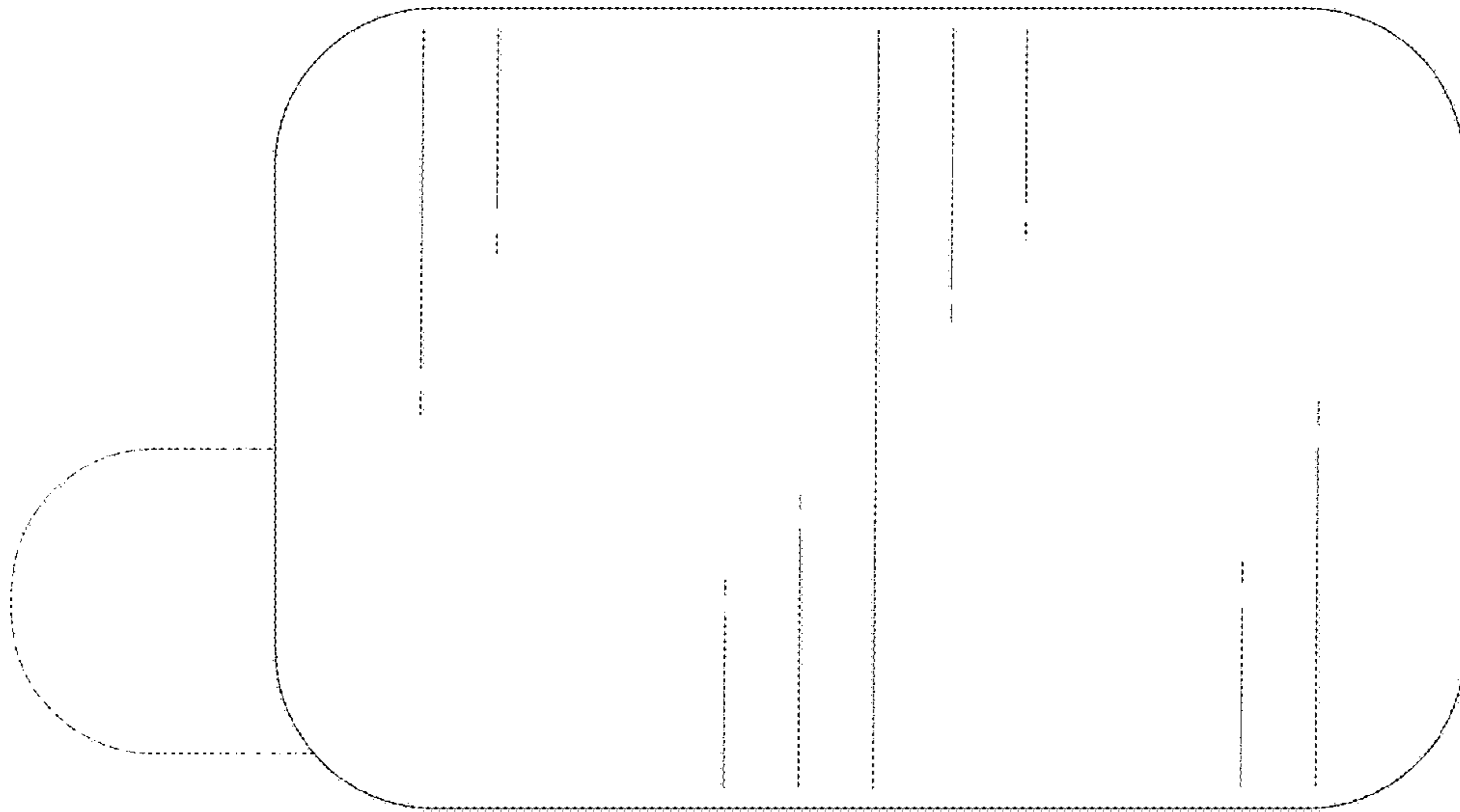


Fig. 3

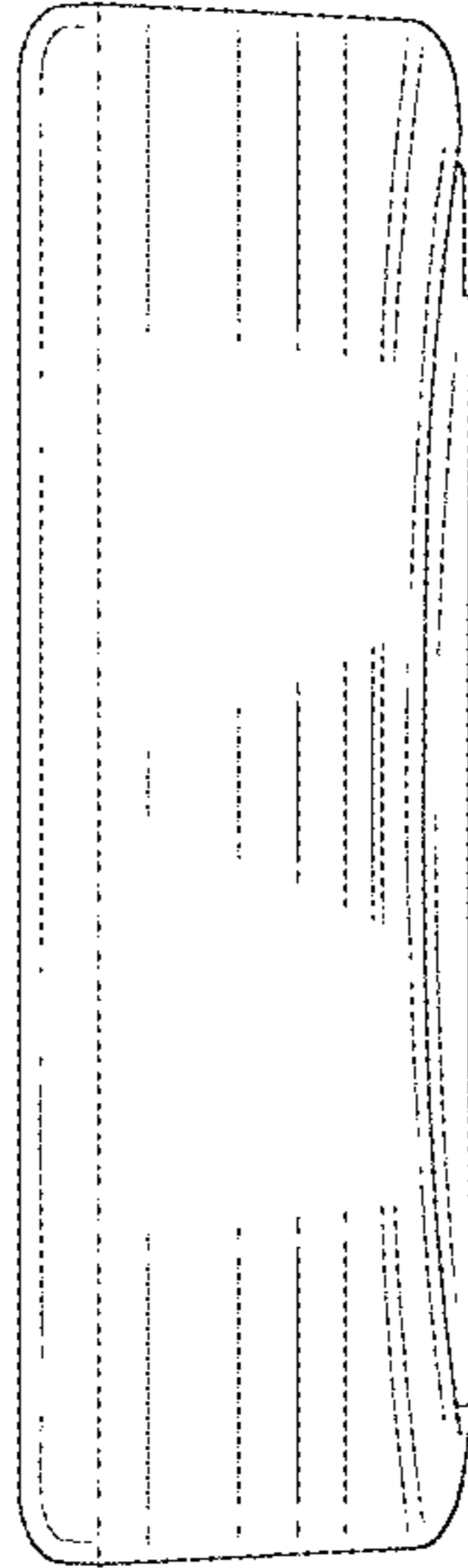


Fig. 4

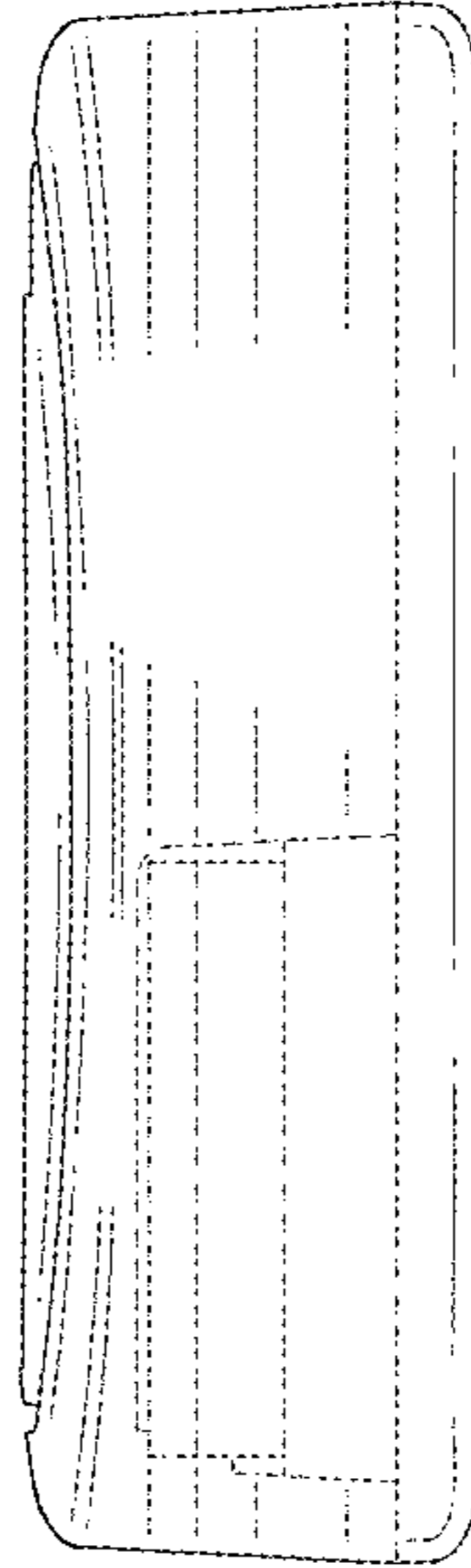


Fig. 5

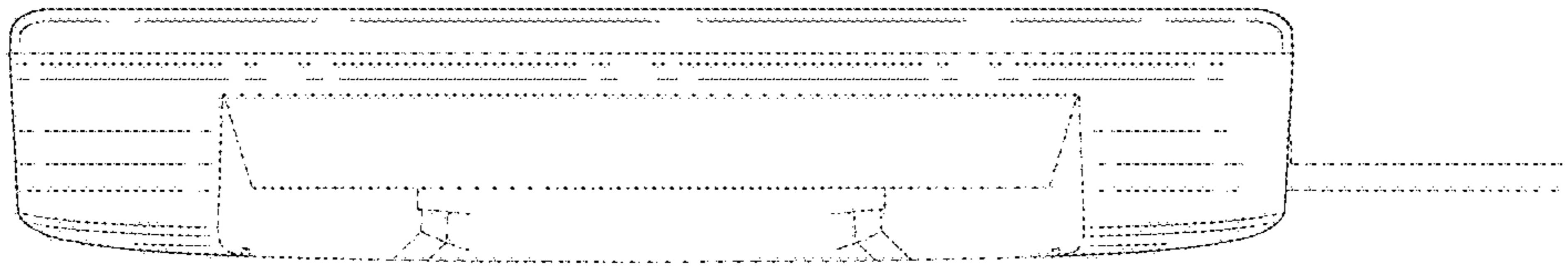


Fig. 6

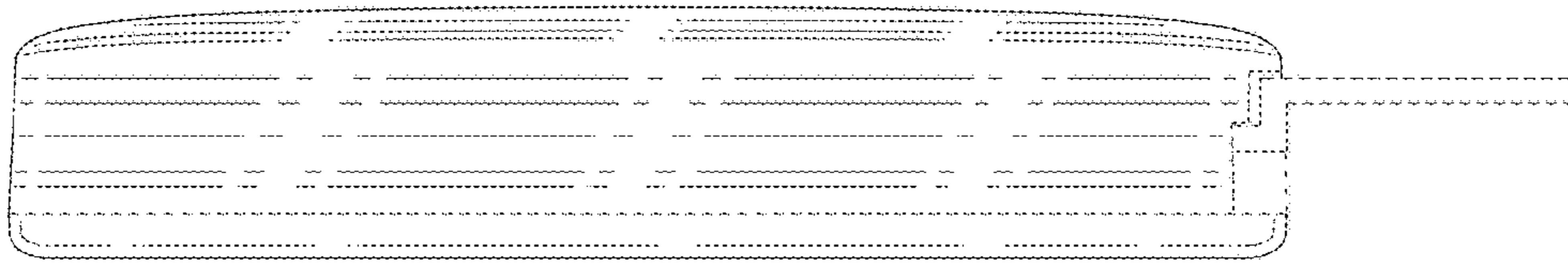


Fig. 7

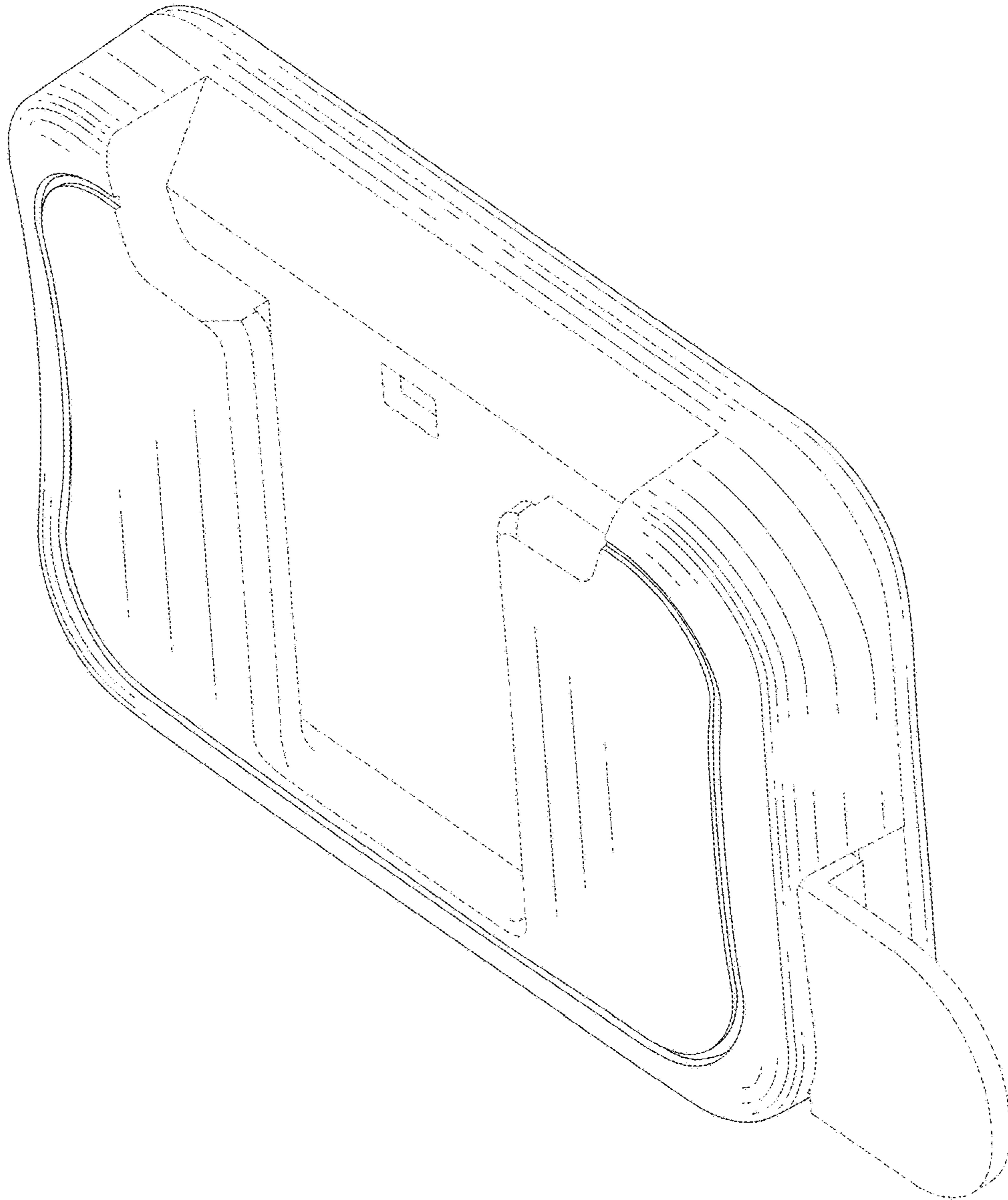


Fig. 8