



US00D822535S

(12) **United States Design Patent**
Lawson et al.

(10) **Patent No.:** **US D822,535 S**
(45) **Date of Patent:** **** Jul. 10, 2018**

(54) **POST POT HOLDER**
(71) Applicant: **Peak Innovations Inc.**, Richmond (CA)
(72) Inventors: **Craig Lawson**, Richmond (CA); **Adam Mantei**, Richmond (CA)
(73) Assignee: **Peak Innovations Inc.**, Richmond (CA)
(**) Term: **15 Years**
(21) Appl. No.: **29/571,657**
(22) Filed: **Jul. 20, 2016**

6,381,902 B1 * 5/2002 Batshon A01G 9/02
47/86
D480,986 S * 10/2003 Taylor D11/143
D547,463 S * 7/2007 Gross D25/133
D648,956 S * 11/2011 Cute D6/404
D785,497 S * 5/2017 Storey 47/62 N

FOREIGN PATENT DOCUMENTS

CA 166414 S * 10/2016
* cited by examiner

Primary Examiner — Sheryl Lane
(74) *Attorney, Agent, or Firm* — Smiths IP; Lawrence Chan

(30) **Foreign Application Priority Data**
Jan. 20, 2016 (CA) 166414
(51) **LOC (11) Cl.** **11-02**
(52) **U.S. Cl.**
USPC **D11/152**
(58) **Field of Classification Search**
USPC D11/152, 143, 144, 164; D6/556
CPC A01G 9/02; A01G 9/024; A47G 7/047
See application file for complete search history.

(57) **CLAIM**

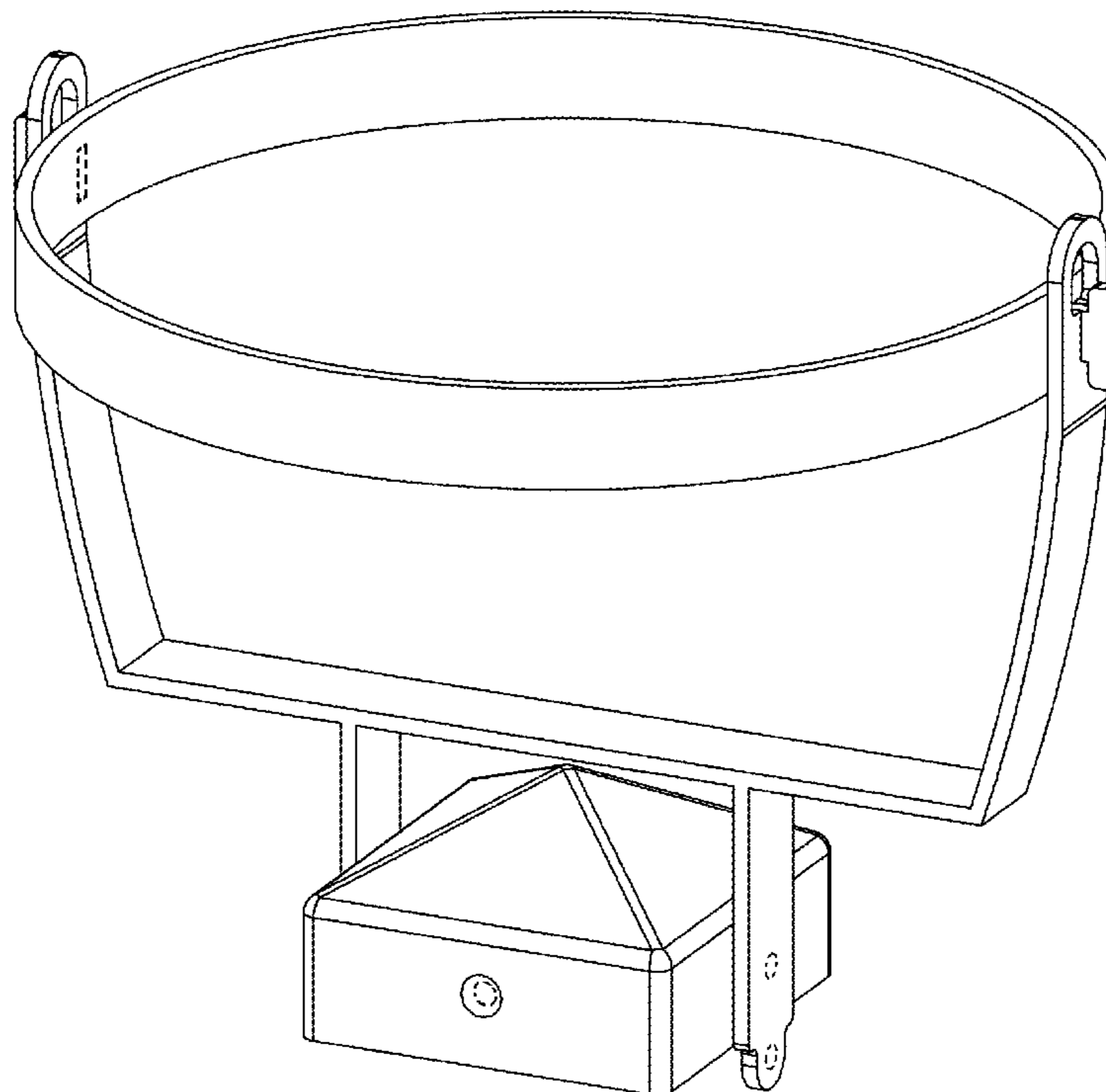
The ornamental design for post pot holder, as shown and described.

DESCRIPTION

FIG. 1 is a front perspective view thereof;
FIG. 2 is a front elevational view thereof, the rear elevational view being identical to the front elevational view;
FIG. 3 is a top plan view thereof;
FIG. 4 is a bottom plan view thereof; and,
FIG. 5 is a left side elevational view thereof, the right side elevational view being identical.
The portions of the article shown in broken lines form no part of the design.

(56) **References Cited**
U.S. PATENT DOCUMENTS
5,860,248 A * 1/1999 Peters A47G 7/047
47/66.6
D455,979 S * 4/2002 Salenger D11/155

1 Claim, 5 Drawing Sheets



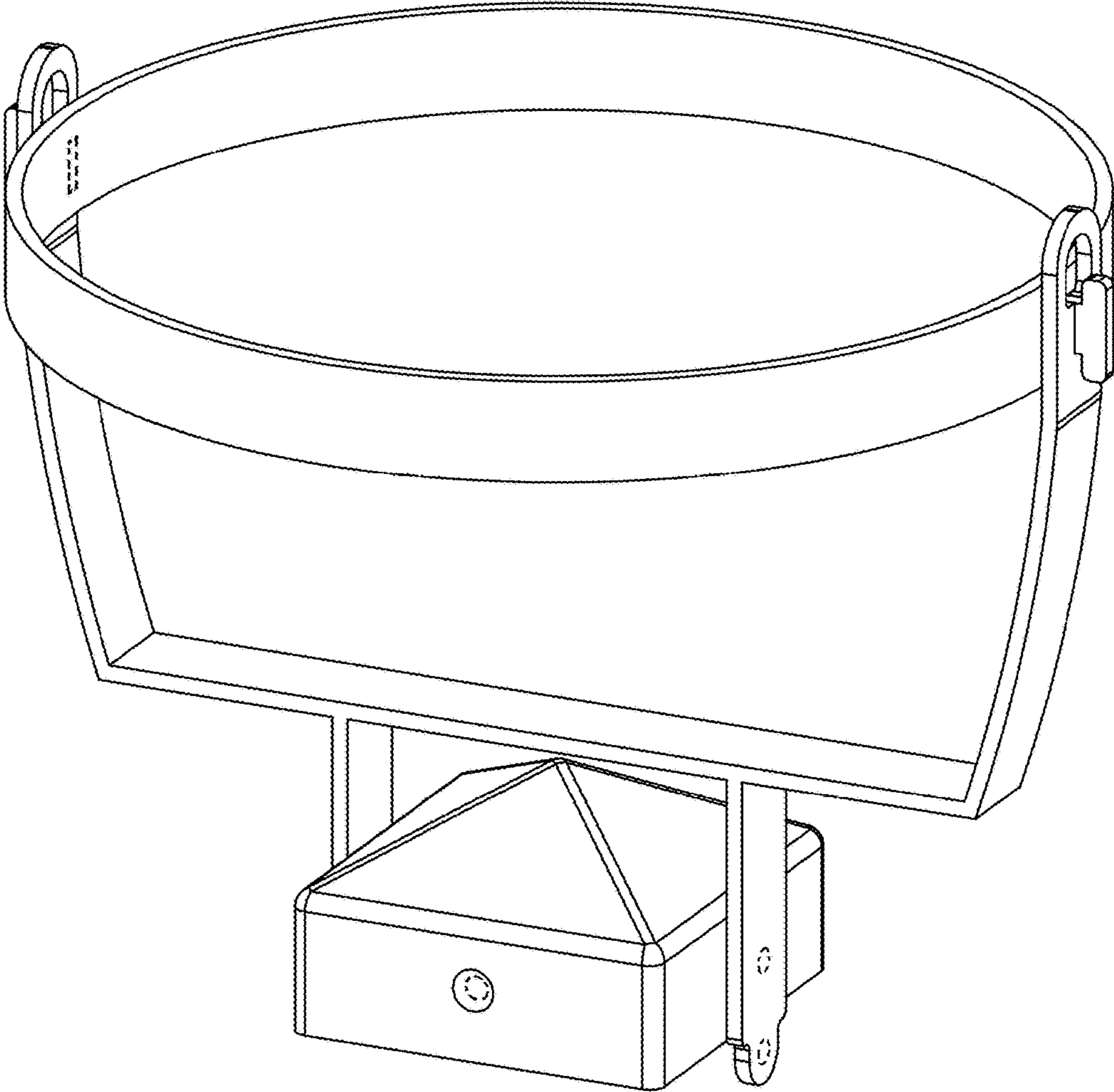


FIG. 1

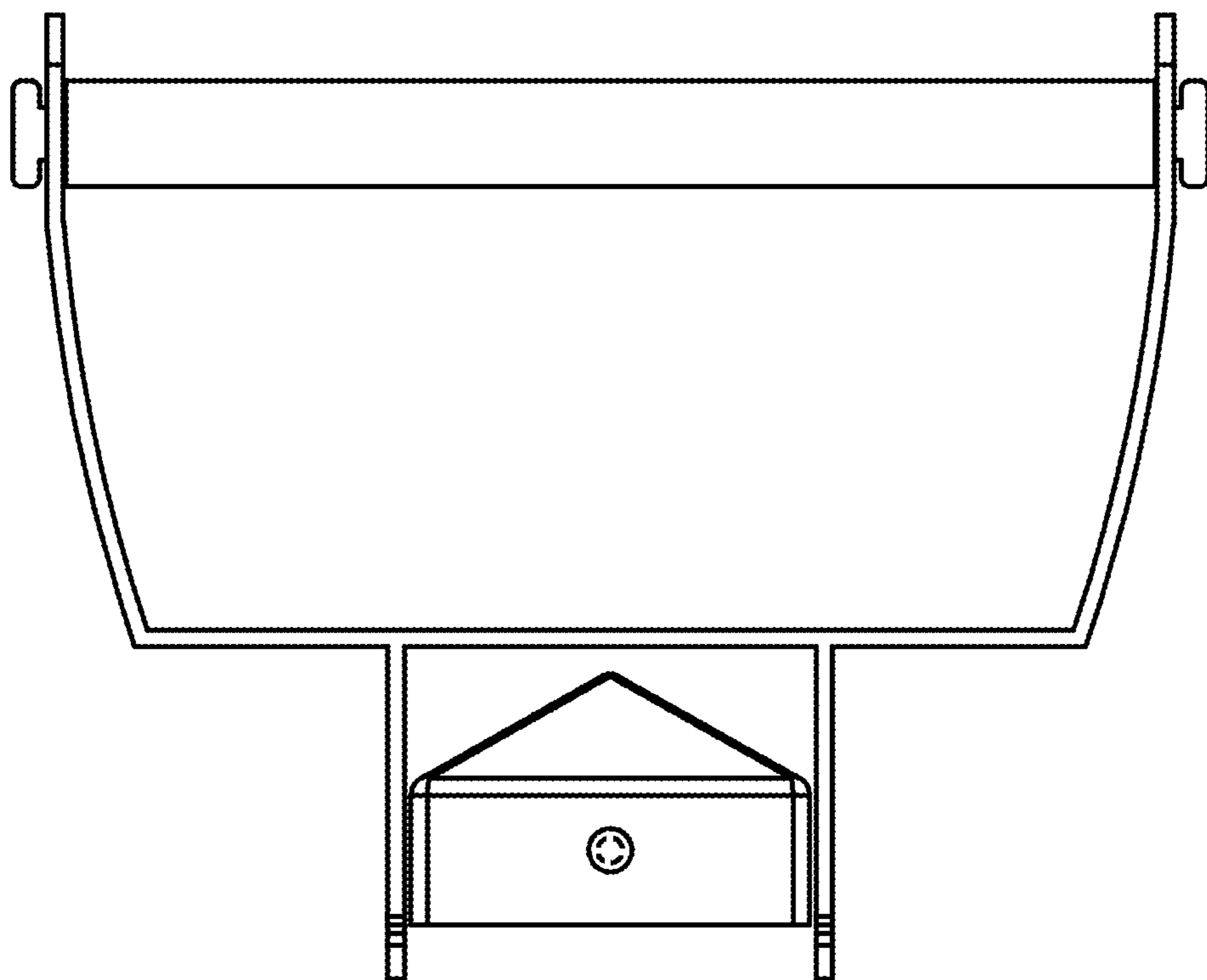


FIG. 2

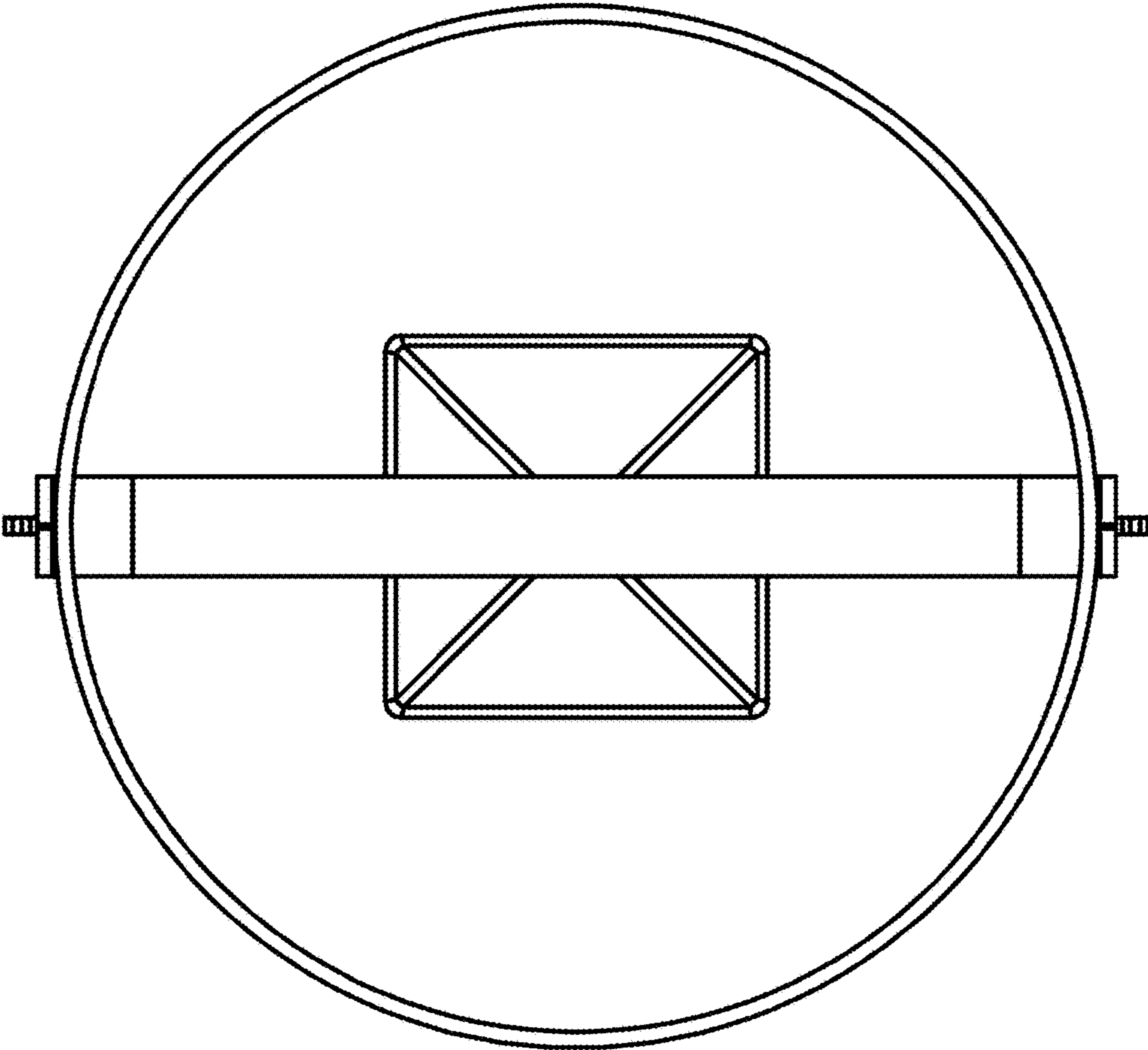


FIG. 3

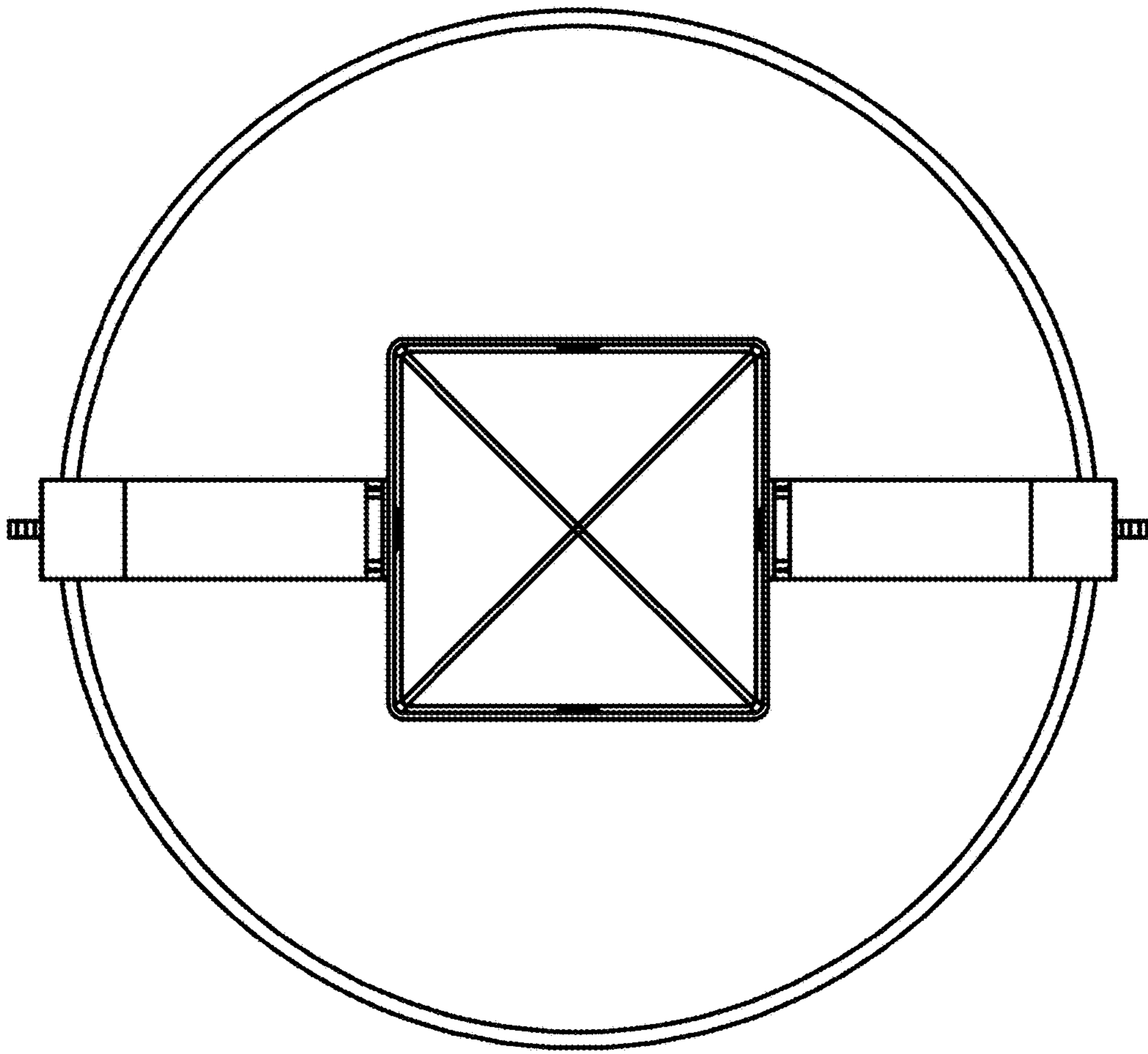


FIG. 4

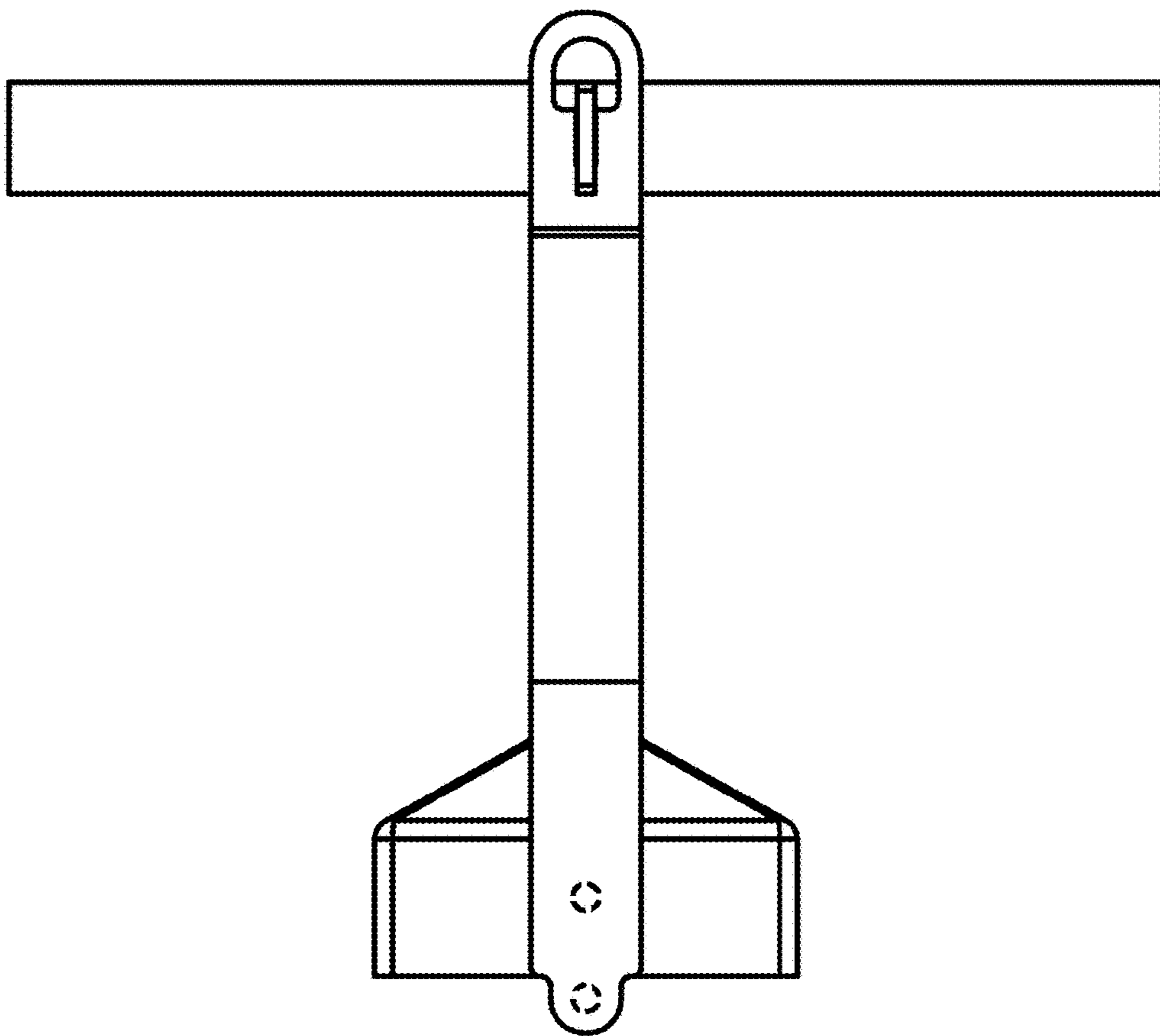


FIG. 5