



US00D822534S

(12) **United States Design Patent** (10) **Patent No.:** **US D822,534 S**
Croteau (45) **Date of Patent:** **** Jul. 10, 2018**

(54) **TERRARIUM**
(71) Applicant: **Jesse Jordan Croteau**, Dallas, GA (US)
(72) Inventor: **Jesse Jordan Croteau**, Dallas, GA (US)
(**) Term: **15 Years**
(21) Appl. No.: **29/599,667**
(22) Filed: **Apr. 5, 2017**
(51) **LOC (11) Cl.** **11-02**
(52) **U.S. Cl.**
USPC **D11/145; D30/101**
(58) **Field of Classification Search**
USPC D6/403-405, 556-558; D11/143-156, D11/164, 118, 680.3; D9/629; D30/101
CPC . A01G 9/00; A01G 9/02; A01G 9/021; A01G 9/022; A01G 9/027; A01G 9/04; A01G 9/047; A01G 9/10; A01G 7/07; A01G 27/02; A01G 31/02; A01G 31/06; A01K 63/00; A01K 63/003; A01K 63/006
See application file for complete search history.

D244,259 S * 5/1977 Bergstein D30/101
D257,227 S * 10/1980 Youngberg D9/668
D259,768 S * 7/1981 Banasiak, Jr. D9/505
D289,143 S * 4/1987 Guillaume D9/445
6,013,524 A 1/2000 Friars et al.
D449,982 S * 11/2001 Ferris D9/503
D466,809 S * 12/2002 Sagel D9/428
D468,636 S * 1/2003 Weinstein D9/418
D483,030 S * 12/2003 Melton D14/230
D537,711 S * 3/2007 Limber D3/301
D543,411 S * 5/2007 Rittberg D7/354
D579,324 S * 10/2008 Schmidt D9/418

(Continued)

FOREIGN PATENT DOCUMENTS

CN 201342117 11/2009
CN 202958271 6/2012

(Continued)

Primary Examiner — Elizabeth Albert
(74) *Attorney, Agent, or Firm* — Remenick PLLC

(57) **CLAIM**

The ornamental design for a terrarium, as shown and described.

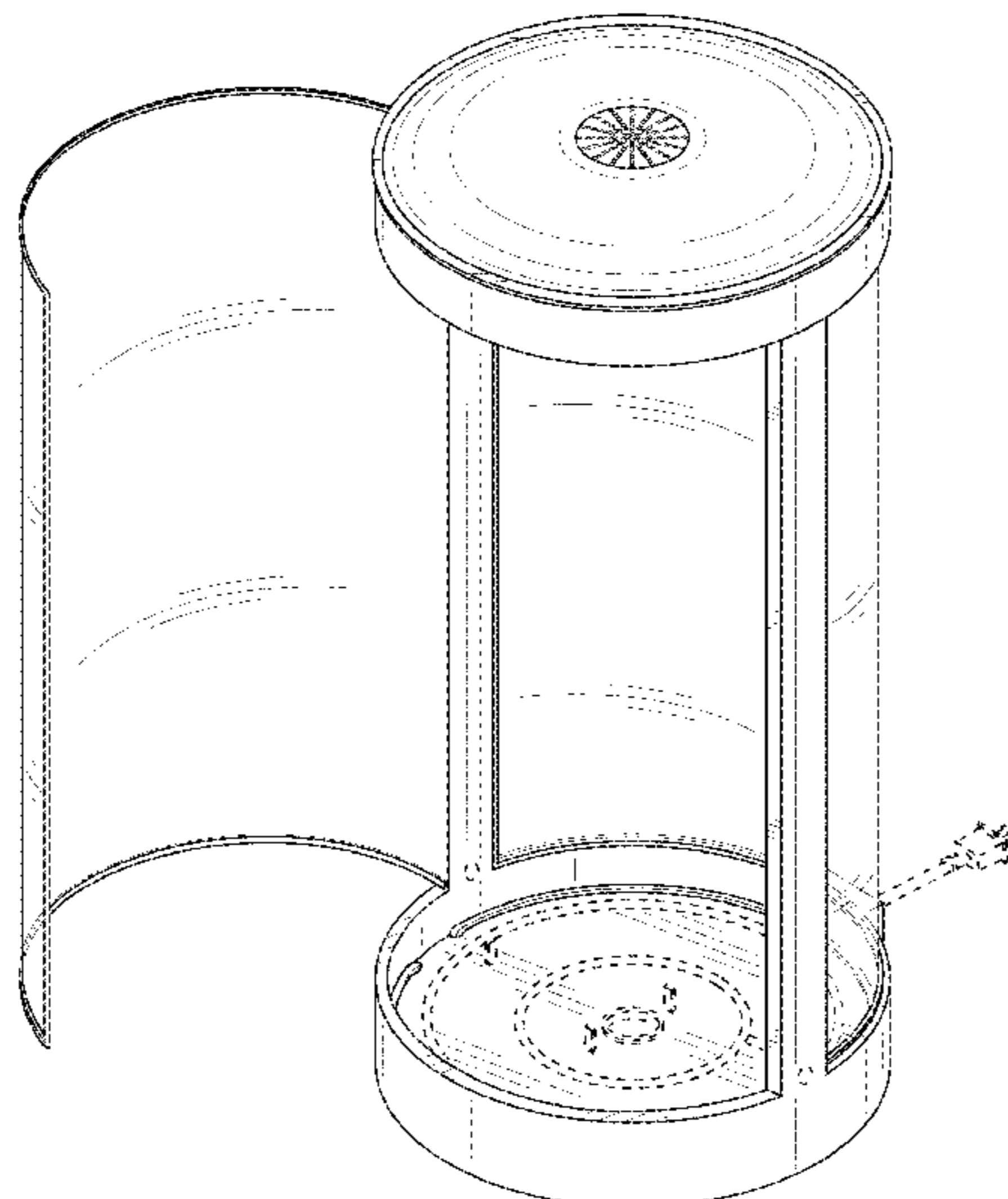
DESCRIPTION

FIG. 1 is a perspective view of a terrarium showing my new design;
FIG. 2 is a front view thereof;
FIG. 3 is a rear view thereof;
FIG. 4 is a left side view thereof;
FIG. 5 is a right side view thereof;
FIG. 6 is a top view thereof;
FIG. 7 is a bottom view thereof; and,
FIG. 8 is a perspective view thereof with a front panel open. The broken lines shown represent unclaimed subject matter and form no part of the claimed design.

1 Claim, 8 Drawing Sheets

(56) **References Cited**
U.S. PATENT DOCUMENTS

1,591,845 A * 7/1926 Kurtz A01G 9/12 248/146
2,079,177 A * 5/1937 Membrino B65D 3/12 220/662
2,140,996 A * 12/1938 Heifetz B65D 3/28 229/198.3
D157,560 S * 3/1950 Berg 428/13
2,508,773 A * 5/1950 Reichmuth A45D 44/18 206/209.1
2,801,039 A * 7/1957 Arneson B65D 3/10 220/200
3,174,688 A * 3/1965 Chatten G09F 13/24 239/145
3,673,733 A 7/1972 Allen



(56)

References Cited

U.S. PATENT DOCUMENTS

D636,275	S *	4/2011	Stapleton	D9/757
D654,374	S *	2/2012	Lauder	D9/715
D701,352	S *	3/2014	Xu	D30/101
D722,113	S *	2/2015	Knight	D20/8
D758,847	S *	6/2016	Stuart	D9/428
D790,394	S *	6/2017	Suphachadiwong	D11/152
2001/0047951	A1 *	12/2001	O'Connor	A45D 34/04 206/575
2005/0274076	A1	12/2005	Farhadi	
2010/0181275	A1 *	7/2010	Gruenwald	B65D 23/12 215/6
2013/0305605	A1	11/2013	Wang	
2014/0026474	A1	1/2014	Kulas	
2014/0196364	A1	7/2014	Mayner	
2018/0007845	A1 *	1/2018	Martin	A01G 9/246

FOREIGN PATENT DOCUMENTS

CN	104221833	12/2014
CN	105075731	11/2015
DE	2600425	5/1977
KR	101464507	11/2014

* cited by examiner

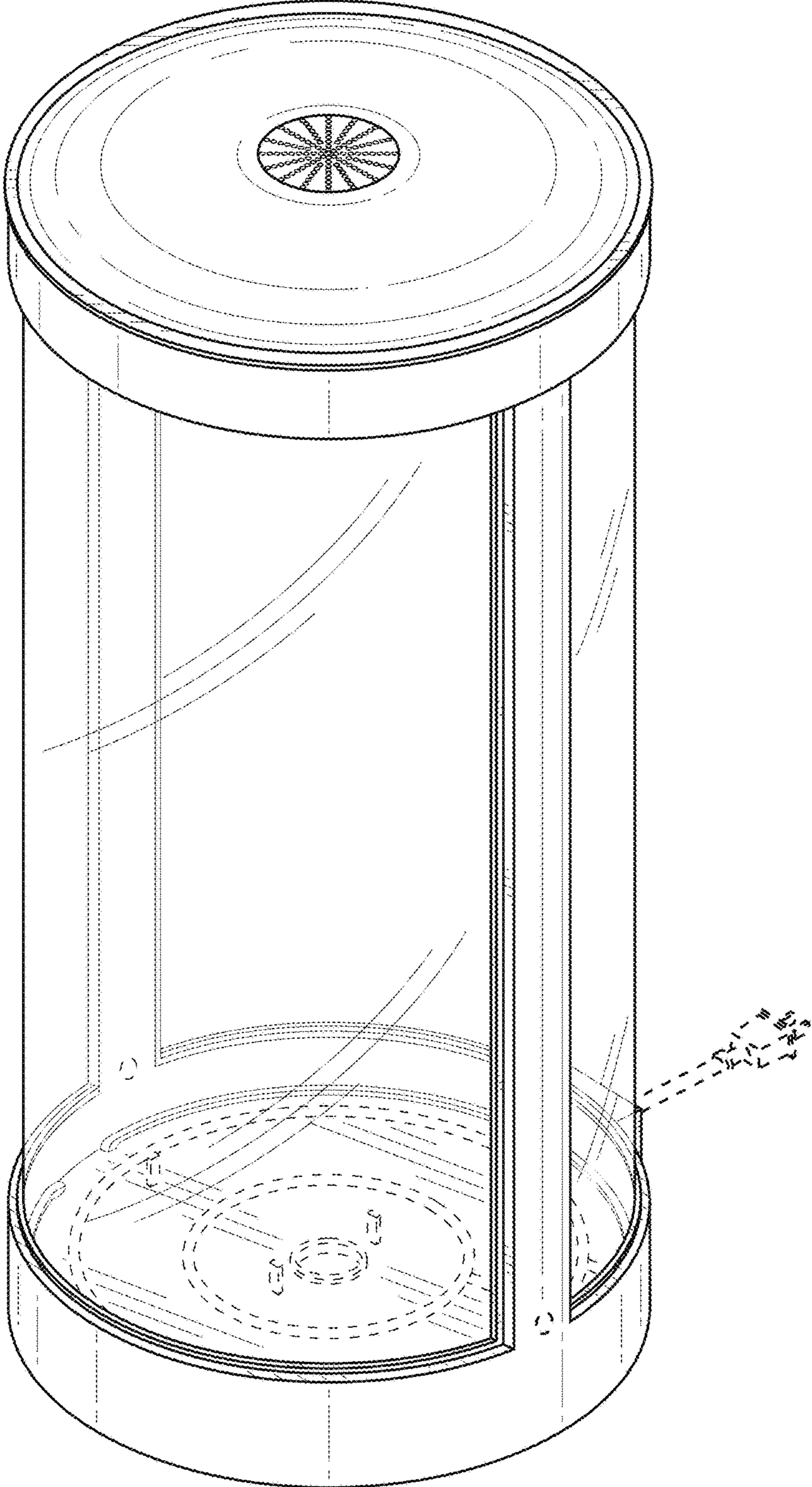


FIG. 1

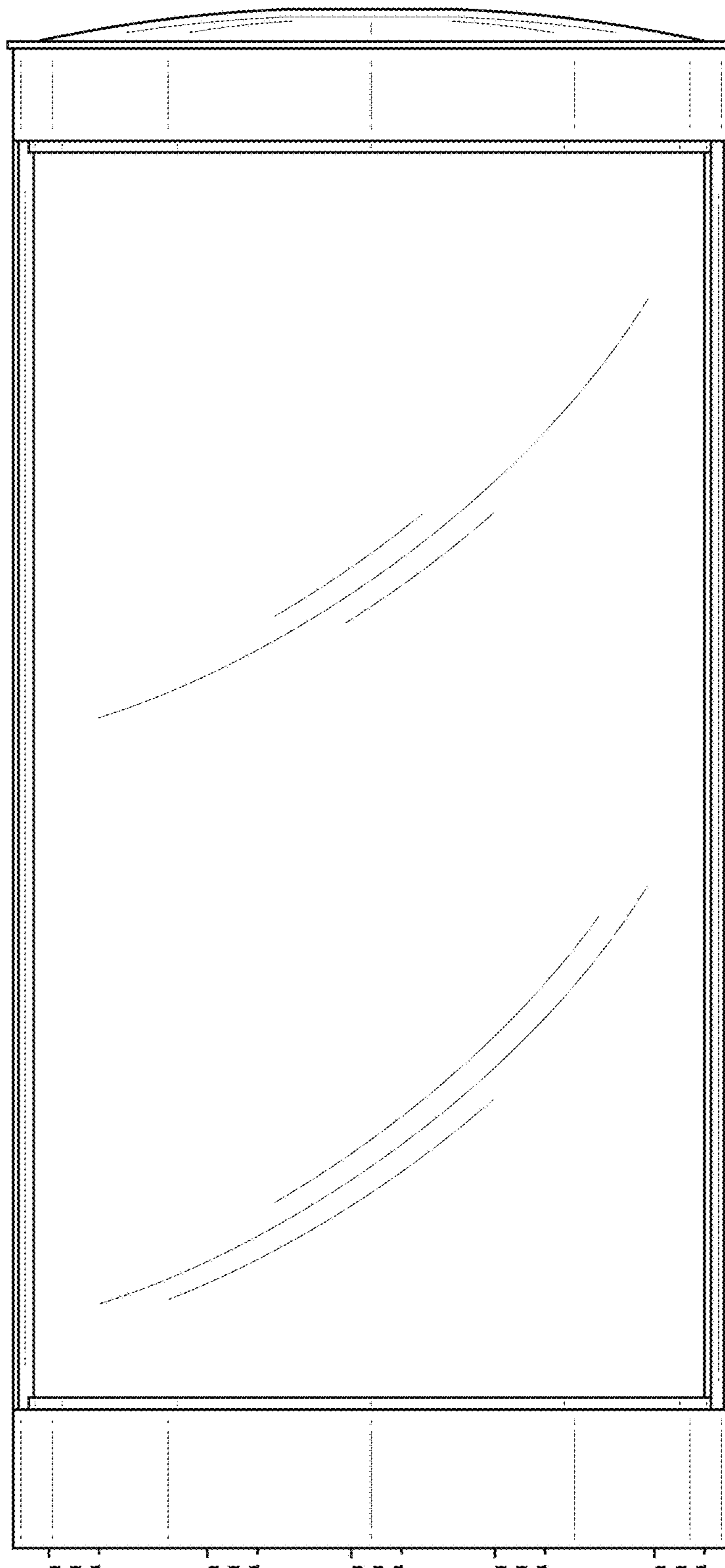


FIG. 2

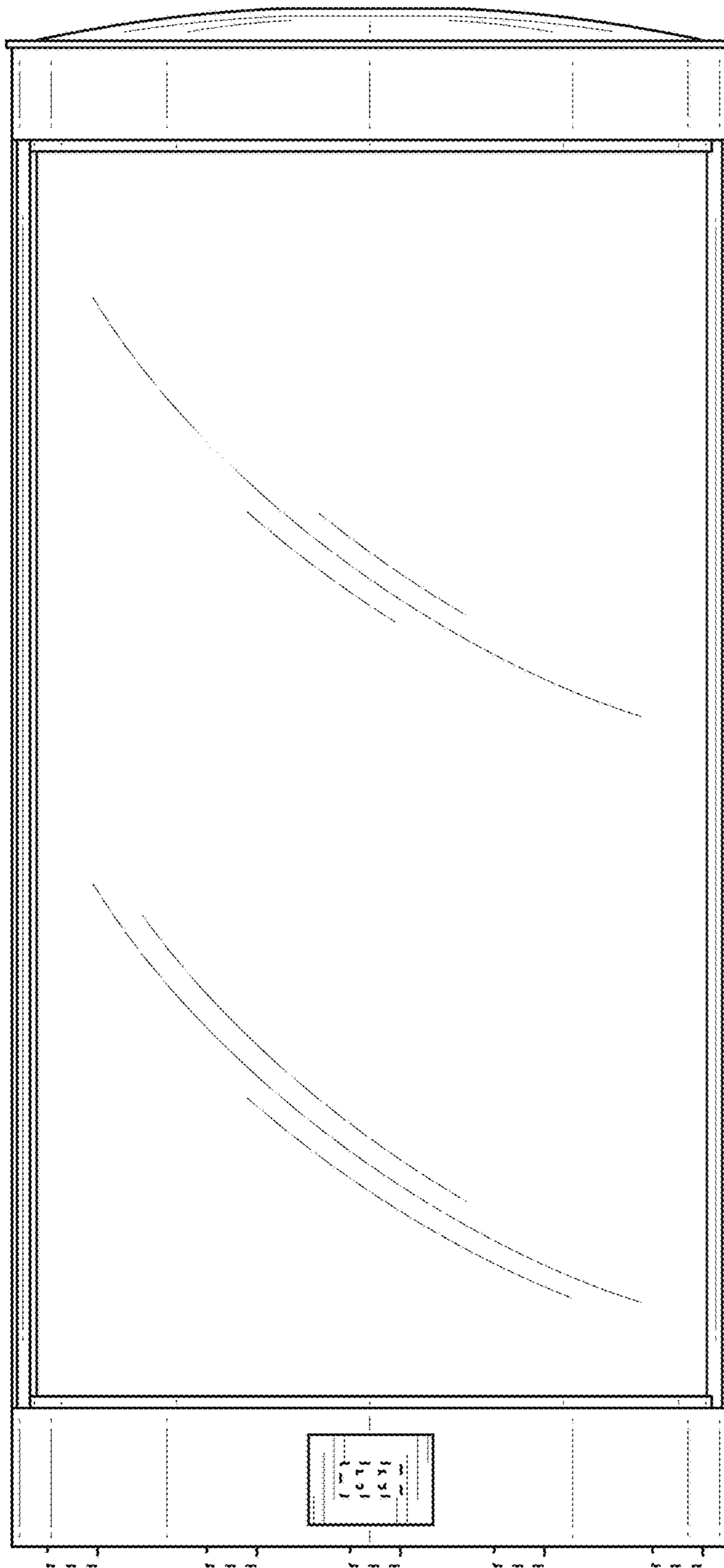


FIG. 3

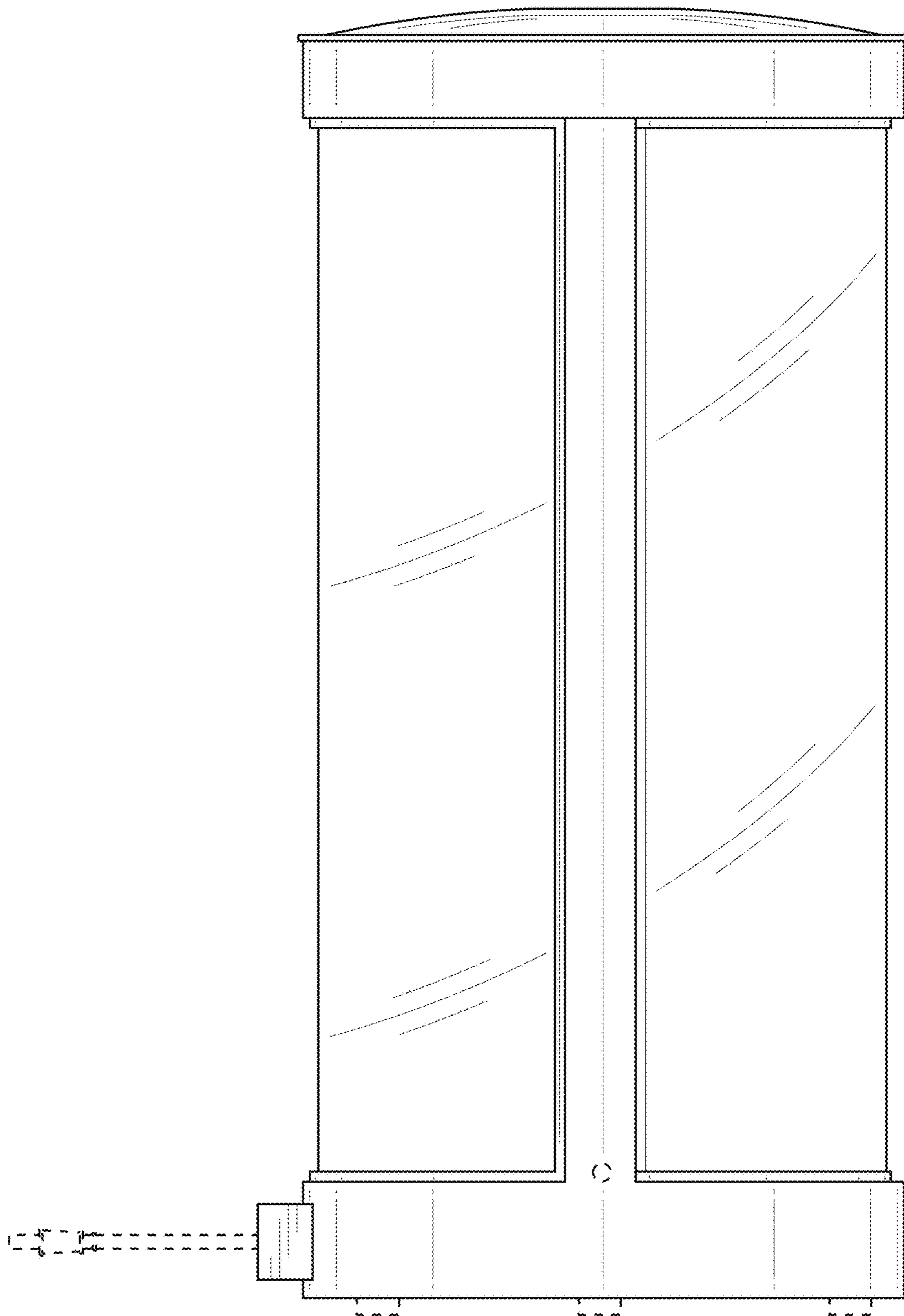


FIG. 4

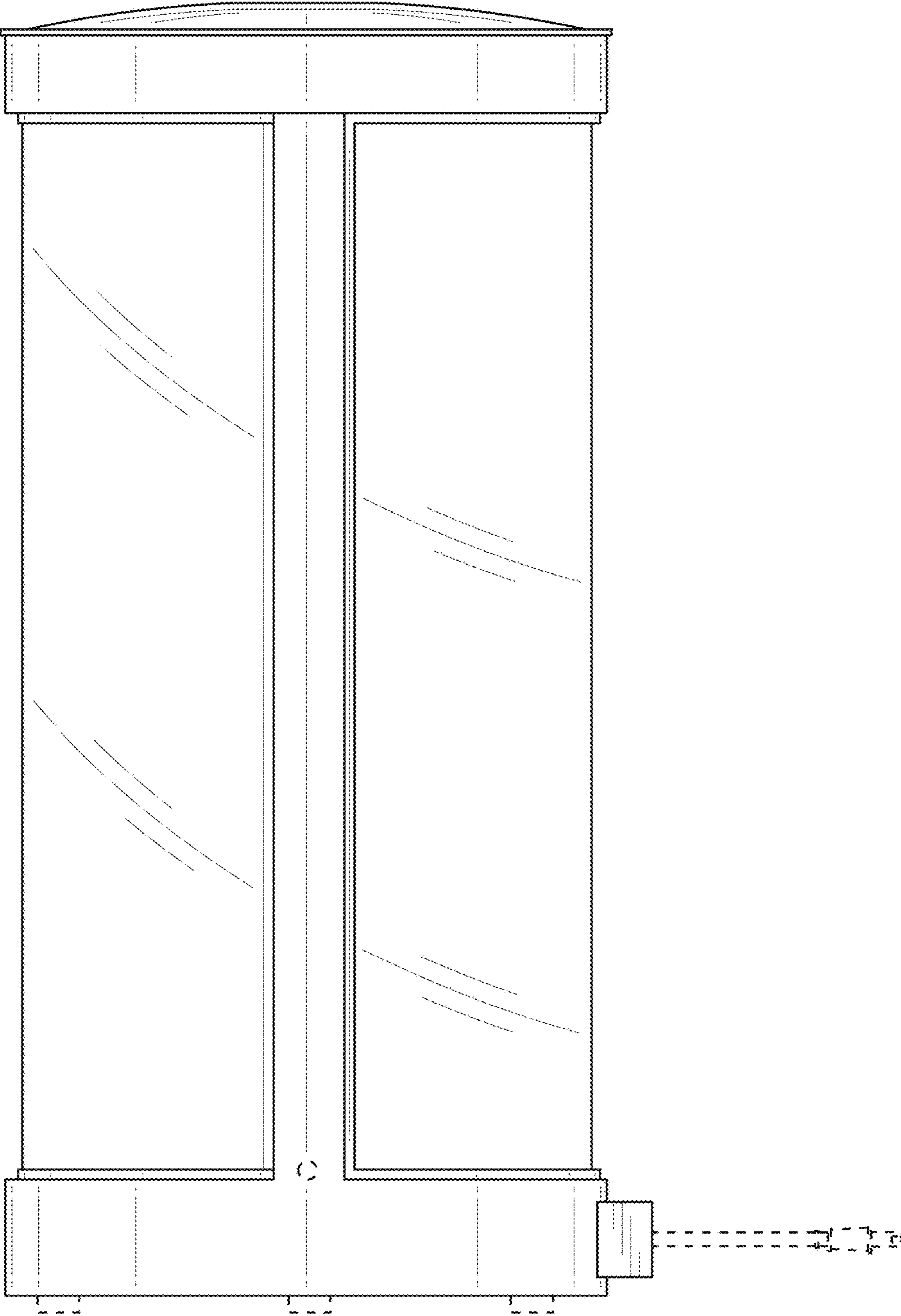


FIG. 5

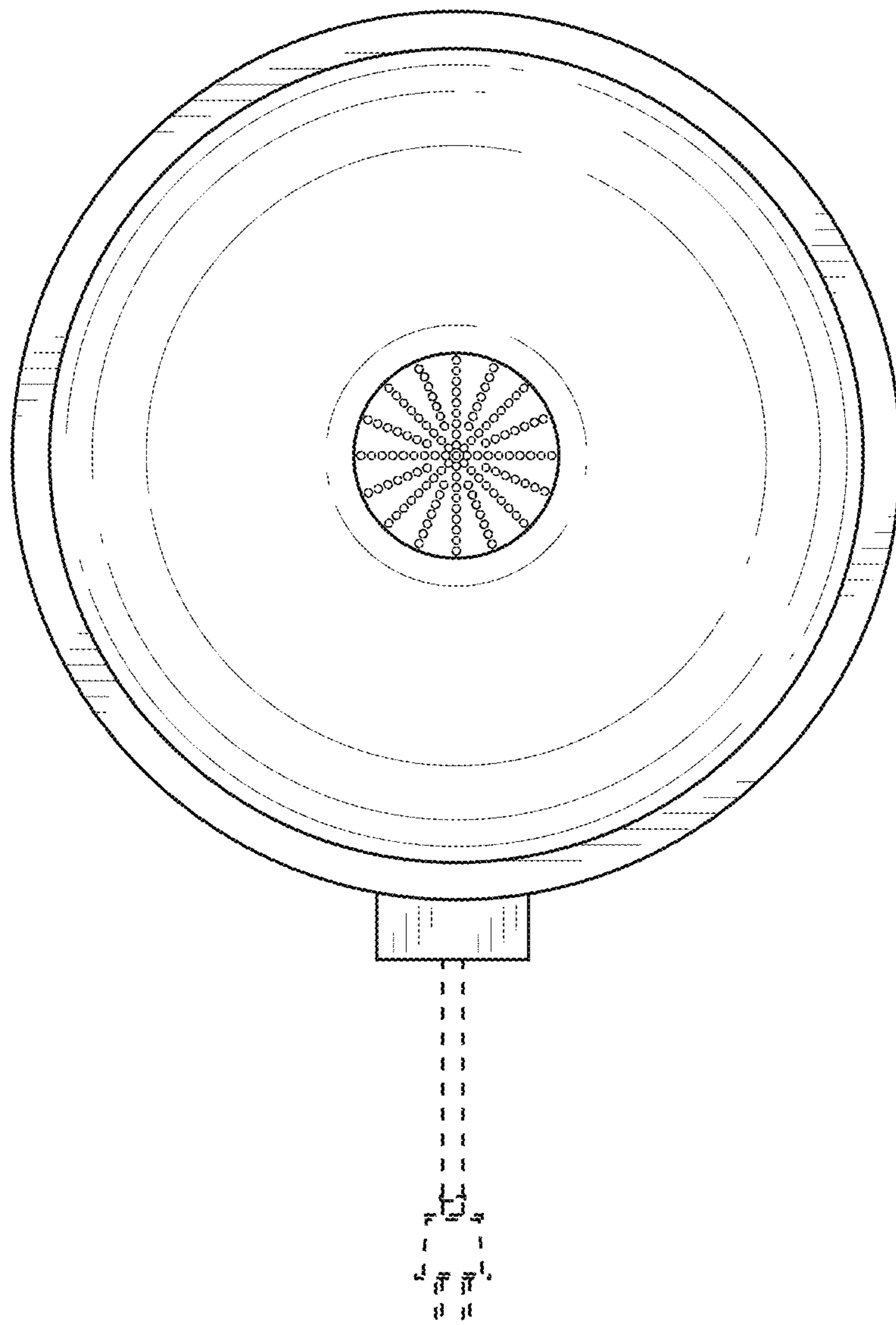


FIG. 6

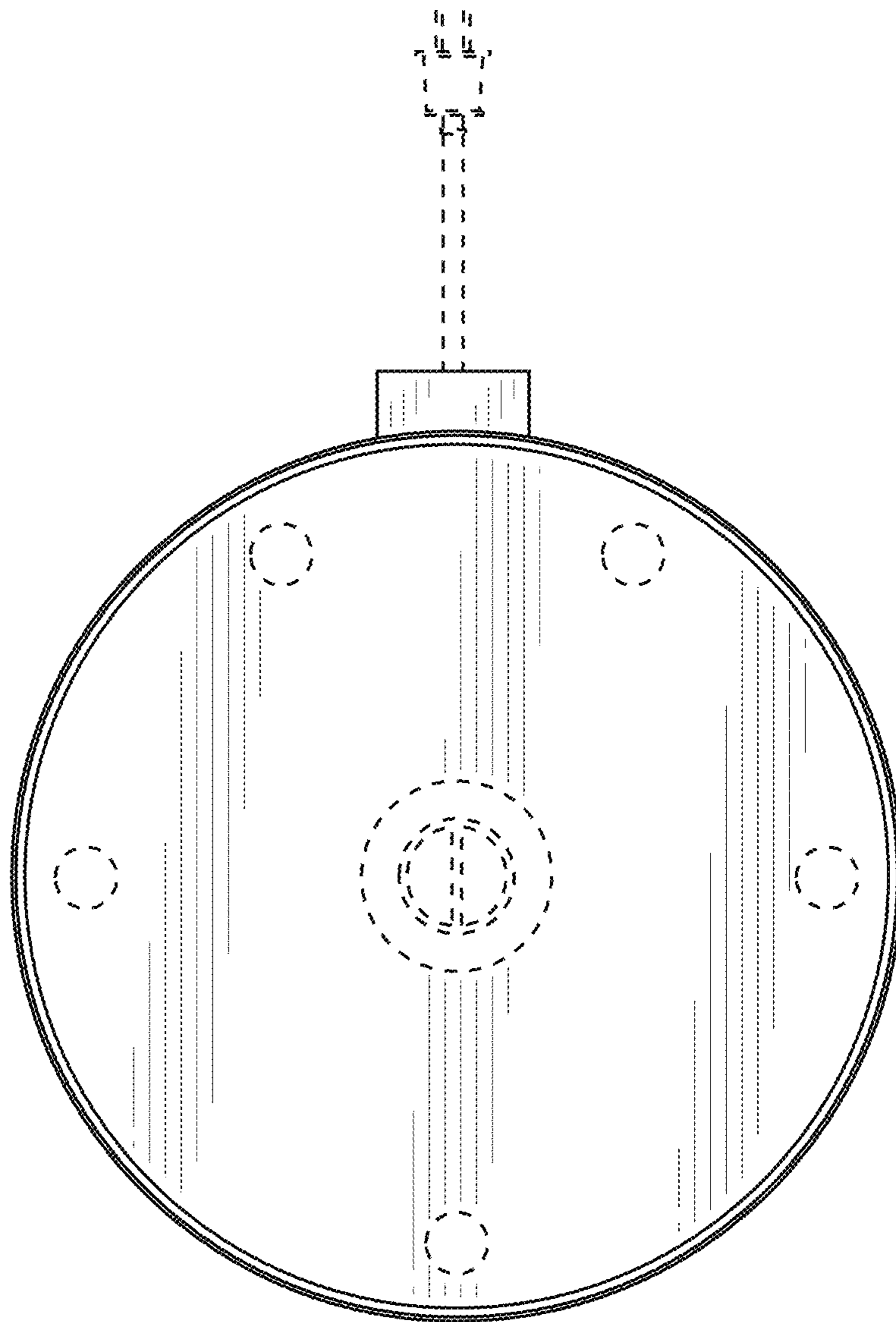


FIG. 7

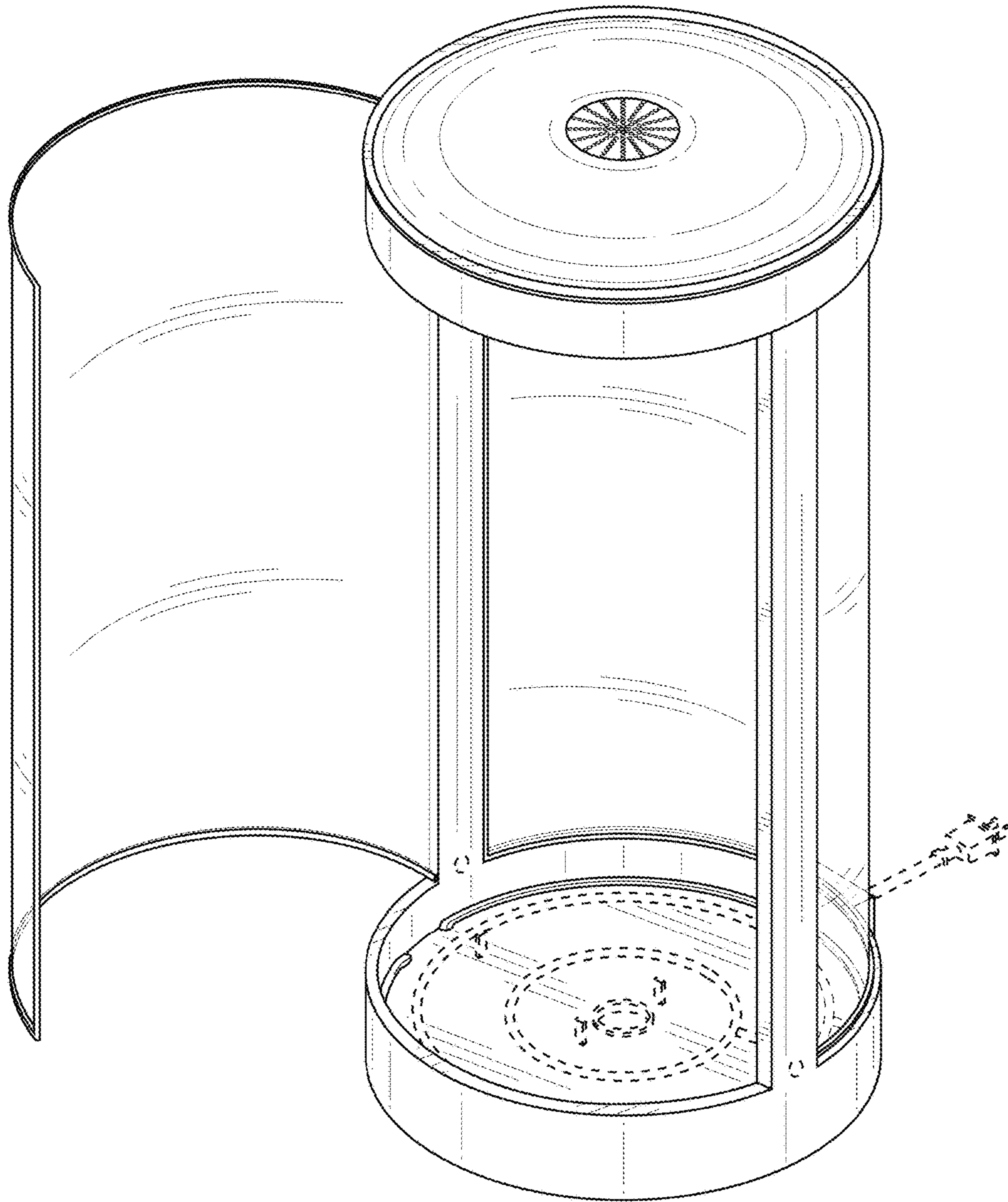


FIG. 8