



US00D822522S

(12) **United States Design Patent**  
**Laucella**

(10) **Patent No.:** **US D822,522 S**  
(45) **Date of Patent:** **\*\* Jul. 10, 2018**

(54) **WATCH HAND**

(71) Applicant: **MONTRES BREGUET S.A.**,  
L'Abbaye (CH)

(72) Inventor: **Vincent Laucella**, La Brassus (CH)

(73) Assignee: **Montres Breguet S.A.**, L'Abbaye (CH)

(\*\*) Term: **15 Years**

(21) Appl. No.: **29/601,217**

(22) Filed: **Apr. 20, 2017**

(30) **Foreign Application Priority Data**

Oct. 20, 2016 (WO) ..... DM/093 410

(51) **LOC (11) Cl.** ..... **10-07**

(52) **U.S. Cl.**  
USPC ..... **D10/127**

(58) **Field of Classification Search**  
USPC ..... D10/1-5, 15, 20-28, 30-32, 39, 40, 42,  
D10/128-130; D14/131, 157, 168-171,  
D14/188, 198, 203.3-203.7, 217, 344,  
D14/496, 498-511; D20/20; D23/235;  
D26/24; D99/28

CPC ..... G04B 17/00; G04B 19/223; G04B 19/24;  
G04B 37/00; G04B 45/0076; G04B  
45/0053; G04C 1/04; G04C 5/00; G04C  
3/00; G04C 3/008; G04C 3/027; G04C  
23/02; H04B 1/06; H04B 1/08; H04M  
1/04

See application file for complete search history.

(56) **References Cited**

**U.S. PATENT DOCUMENTS**

D19,255 S \* 8/1889 Harding ..... D10/124  
1,768,100 A \* 6/1930 Baumgarten ..... G04B 45/046  
368/228  
1,974,357 A \* 9/1934 Eklund ..... G04B 19/223  
368/27

2,564,270 A \* 8/1951 McMillen ..... G04B 27/005  
368/228

D197,912 S \* 4/1964 Rodd ..... D10/127  
D212,195 S \* 9/1968 Baker ..... D10/124

(Continued)

**OTHER PUBLICATIONS**

Solar Flair The Breguet Marine Equation Marchante | posted at  
iwmagazine.com Apr. 12, 2017 [online][site visited Feb. 14, 2018].  
Available from Internet: <[http://www.iwmagazine.com/featured-  
news/20170412/solar-flair-the-breguet-marine-uation-marchante/  
>](http://www.iwmagazine.com/featured-news/20170412/solar-flair-the-breguet-marine-uation-marchante/) (Year: 2017).\*

(Continued)

*Primary Examiner* — Sandra S Snapp

*Assistant Examiner* — Katherine Glennon

(74) *Attorney, Agent, or Firm* — Blank Rome LLP

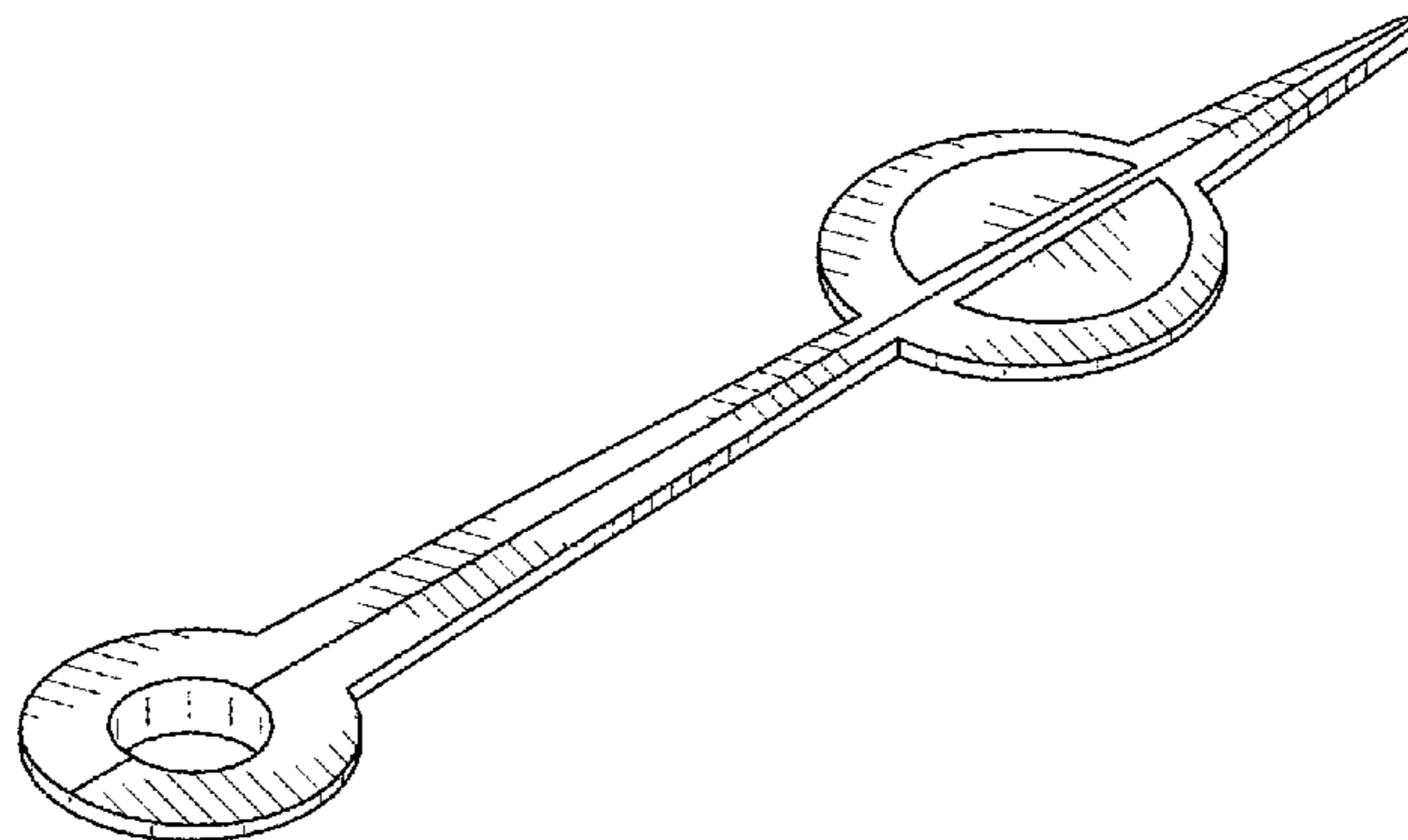
(57) **CLAIM**

The ornamental design for a watch hand, as shown.

**DESCRIPTION**

FIG. 1 is a first embodiment of a top perspective view of a  
watch hand showing my new design;  
FIG. 2 is a bottom perspective view thereof;  
FIG. 3 is a top view thereof;  
FIG. 4 is a bottom view thereof;  
FIG. 5 is a side view thereof;  
FIG. 6 is a front view thereof;  
FIG. 7 is a rear view thereof;  
FIG. 8 is a top perspective view of a second embodiment of  
a watch hand showing my new design;  
FIG. 9 is a bottom perspective view thereof;  
FIG. 10 is a top view thereof;  
FIG. 11 is a bottom view thereof;  
FIG. 12 is a side view thereof;  
FIG. 13 is a front view thereof; and,  
FIG. 14 is a rear view thereof.

**1 Claim, 6 Drawing Sheets**



(56)

**References Cited**

U.S. PATENT DOCUMENTS

3,855,787 A \* 12/1974 Assmus ..... G04B 19/044  
 368/238  
 D312,592 S \* 12/1990 Yoshizawa ..... D10/122  
 6,999,383 B1 \* 2/2006 Wang ..... G04B 19/305  
 368/228  
 D559,129 S \* 1/2008 Laucella ..... D10/39  
 D650,296 S \* 12/2011 Laucella ..... D10/39  
 D727,755 S \* 4/2015 Laucella ..... D10/39  
 9,075,392 B2 \* 7/2015 Stranczl ..... G04B 19/042  
 D746,715 S \* 1/2016 Gueit ..... D10/127  
 D746,716 S \* 1/2016 Gueit ..... D10/127  
 D747,232 S \* 1/2016 Gueit ..... D10/127  
 D760,105 S \* 6/2016 Monachon ..... D10/124  
 D764,338 S \* 8/2016 Cerrato ..... D10/127  
 D769,763 S \* 10/2016 Monachon ..... D10/127  
 D780,267 S \* 2/2017 Laucella ..... D19/164

9,588,493 B2 \* 3/2017 Tortora ..... G04B 19/042  
 D794,476 S \* 8/2017 Laucella ..... D10/30  
 D798,168 S \* 9/2017 Laucella ..... D10/30  
 2005/0052955 A1 \* 3/2005 Rochat ..... G04B 37/0427  
 368/281

OTHER PUBLICATIONS

Breguet Marine Equation Marchante 5887 | posted at Hodinkee.com Aug. 7, 2017 Copyright © 2009-2018, Hodinkee Inc. [online][site visited Feb. 14, 2018]. Available from Internet: <<https://www.hodinkee.com/articles/the-breguet-marine-equation-marchante-5887>> (Year: 2017).\*

Breguet Marine GMT 5857 Review | posted at watchesonnet.com Oct. 2012 [online][site visited Feb. 14, 2018]. Available from Internet: <<https://www.watchesonnet.com/blog/watches/breguet-watches/>> (Year: 2012).\*

\* cited by examiner

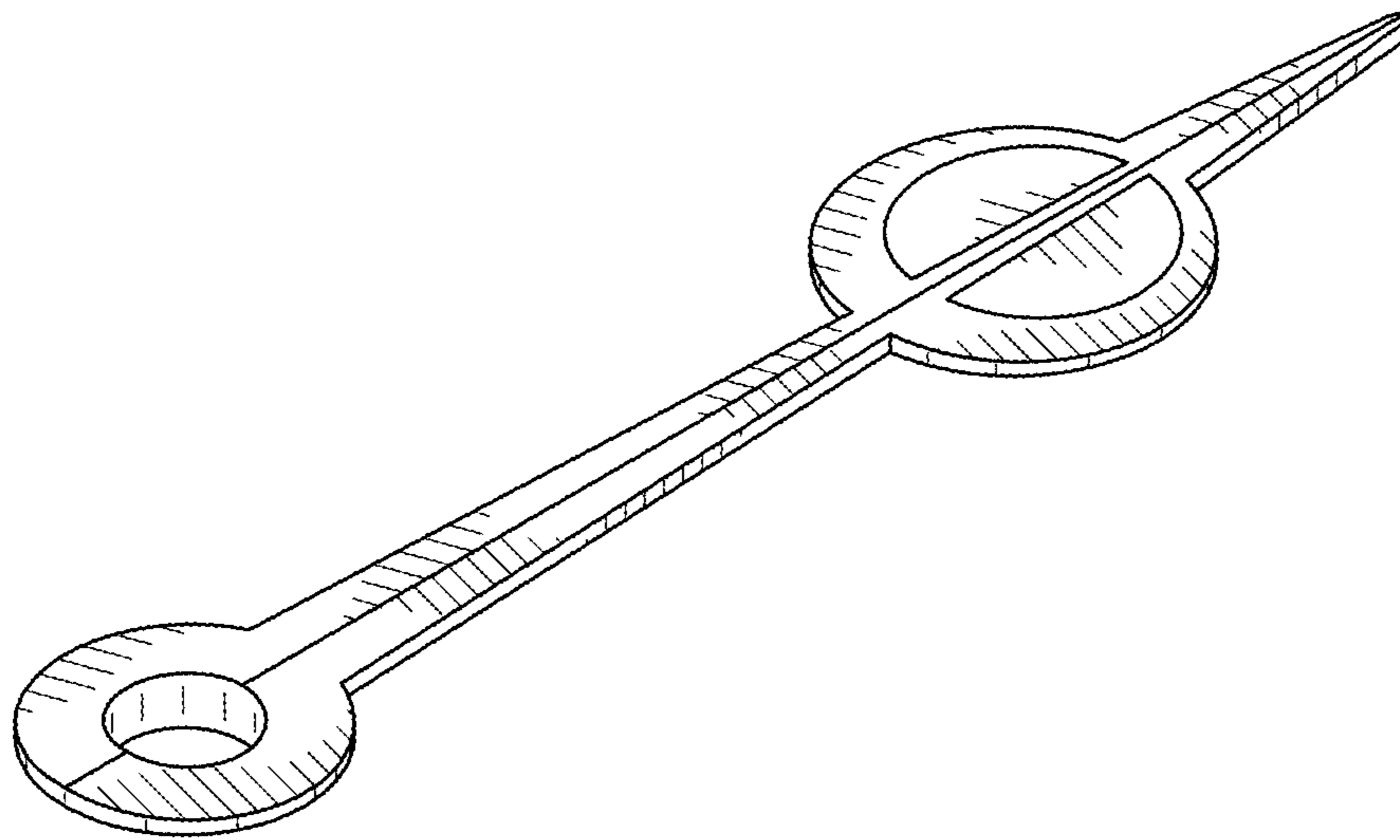


FIG. 1

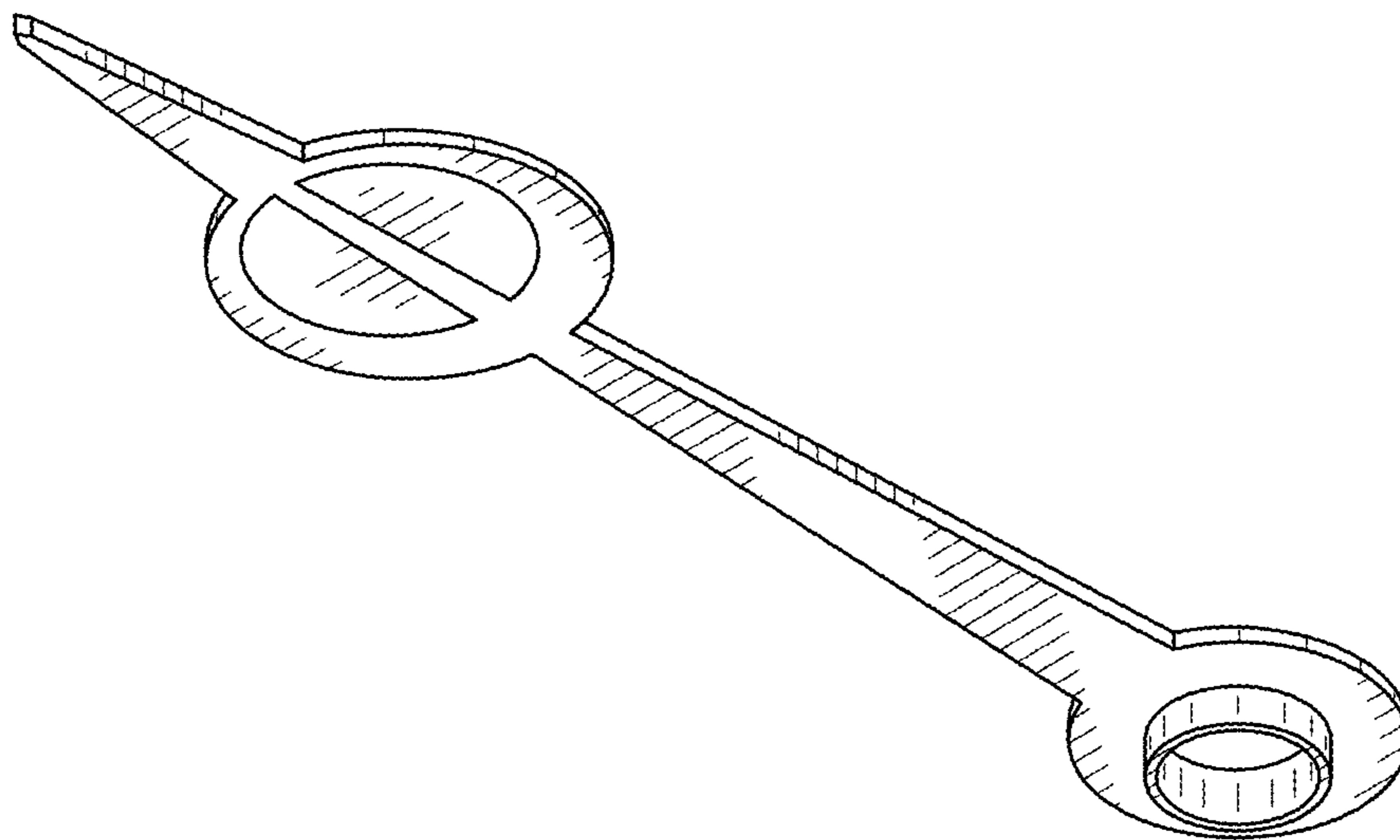


FIG. 2

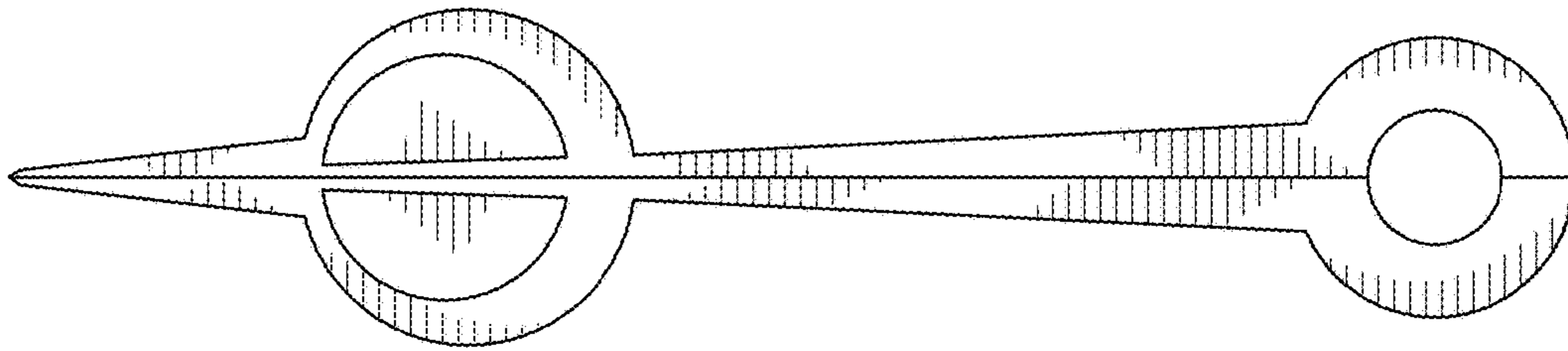


FIG. 3

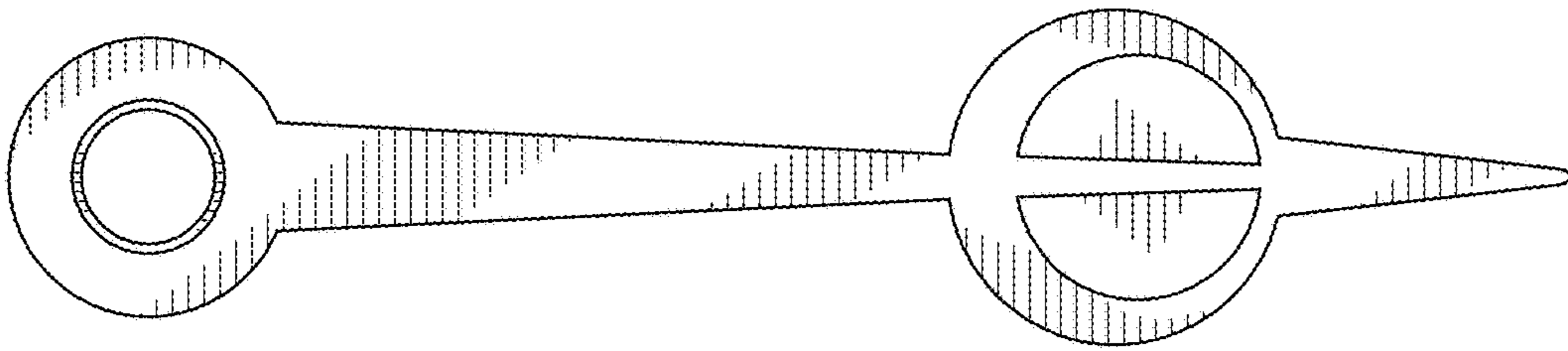


FIG. 4

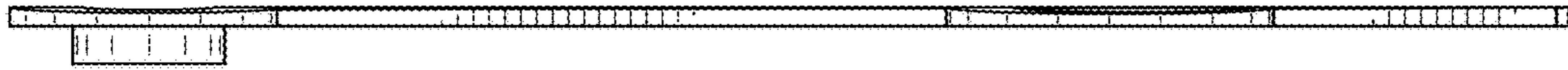


FIG. 5

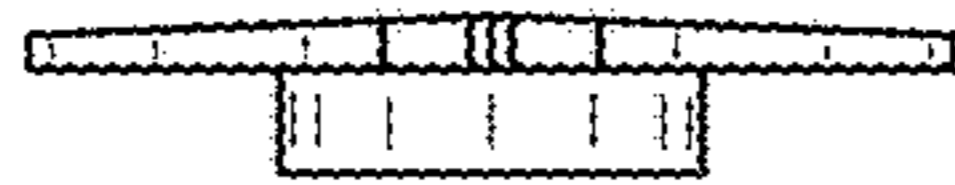


FIG. 6

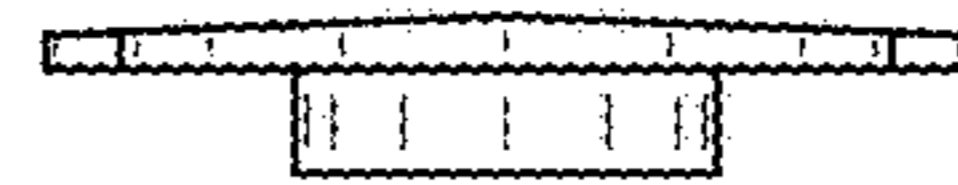


FIG. 7

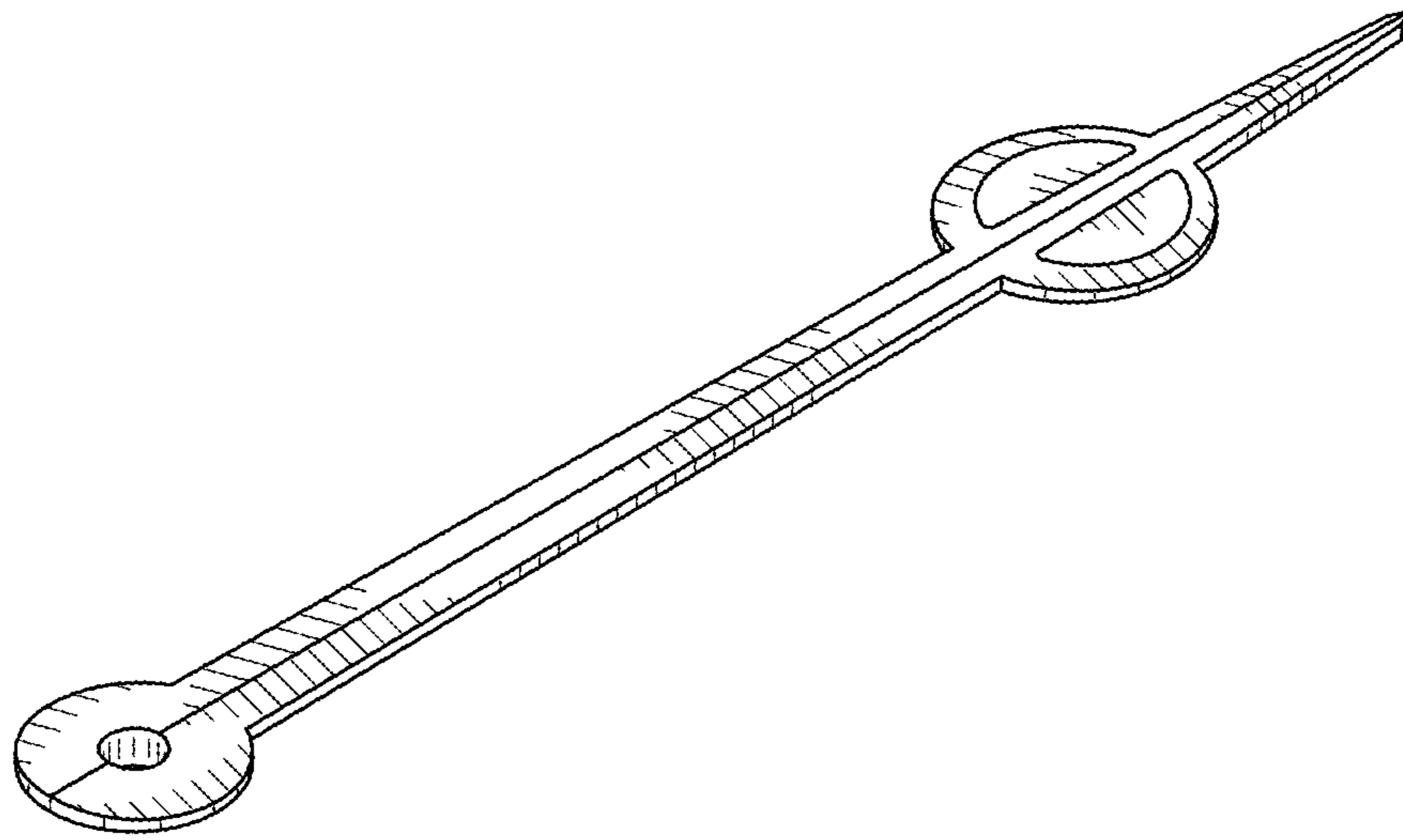


FIG. 8

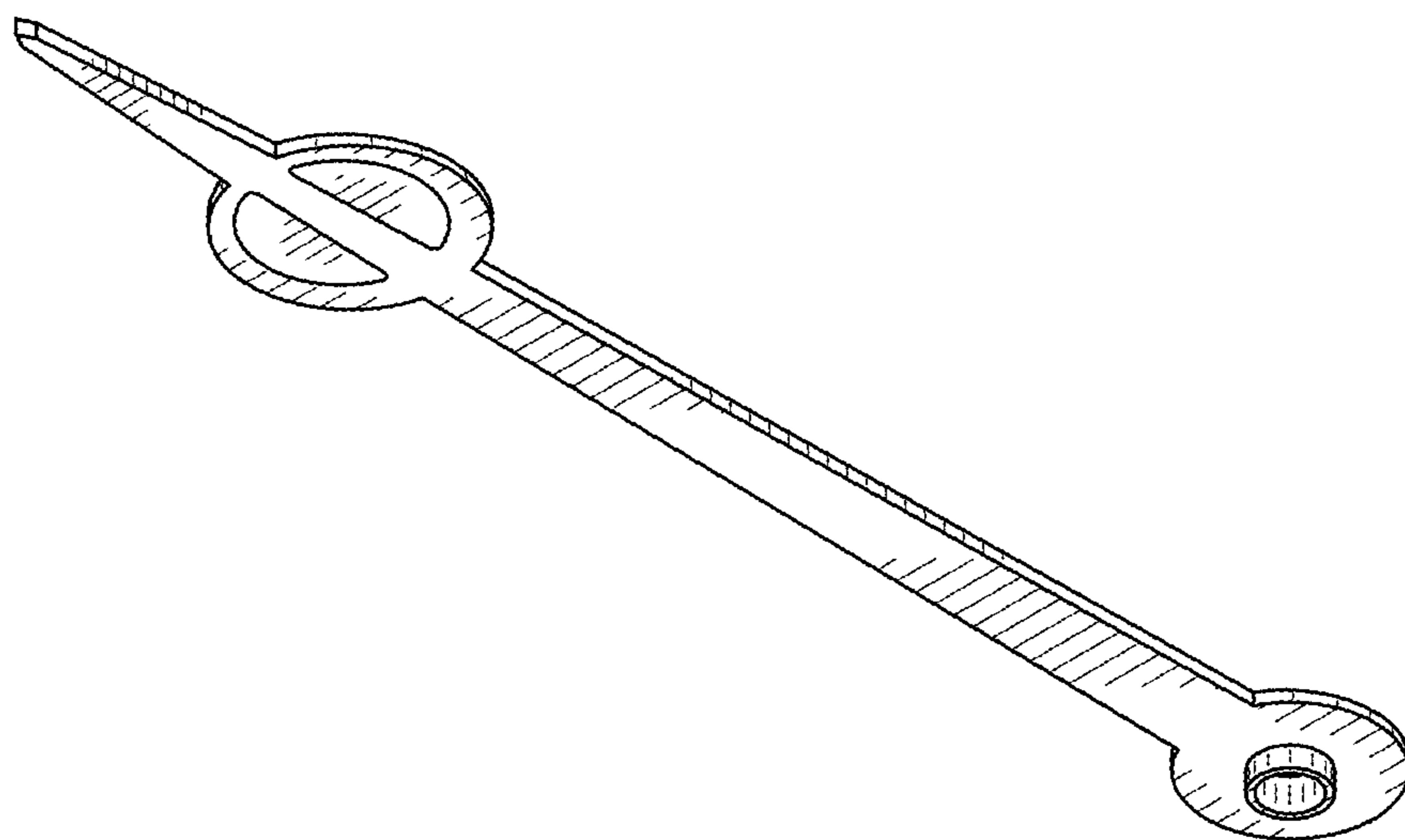


FIG. 9

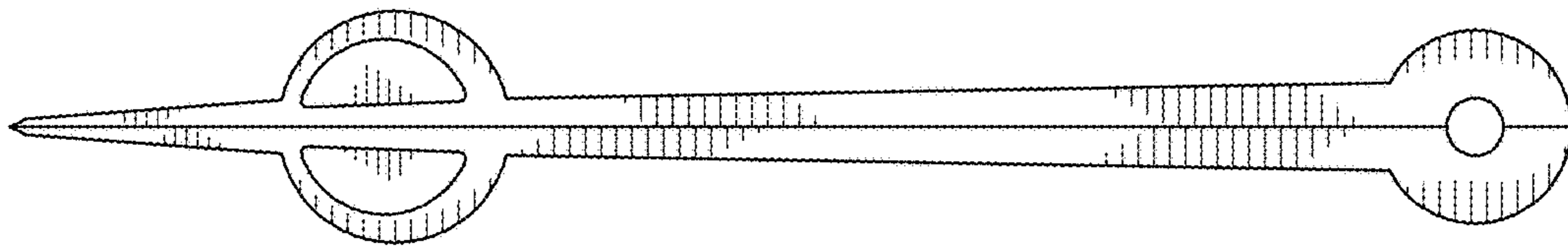


FIG. 10

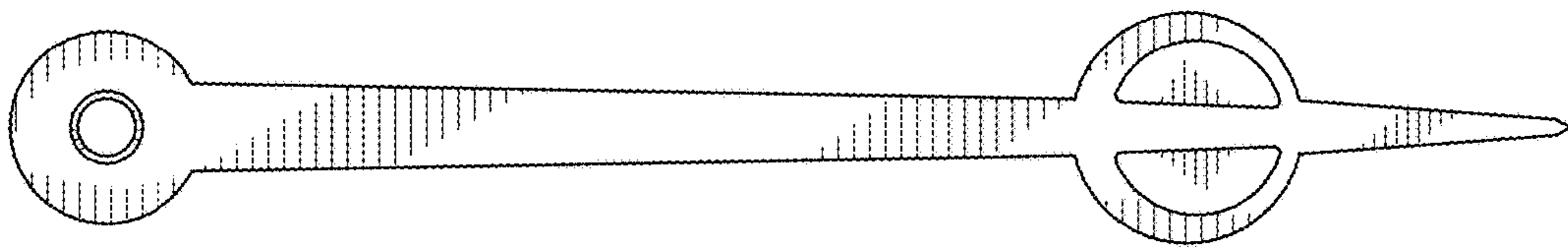


FIG. 11

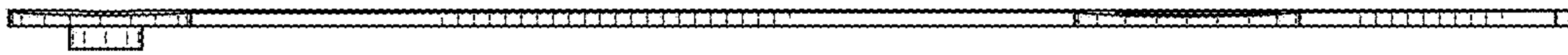


FIG. 12

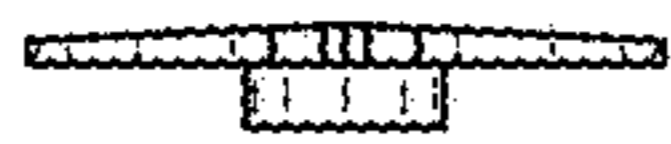


FIG. 13

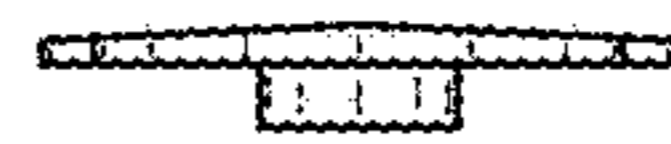


FIG. 14