



US00D822517S

(12) **United States Design Patent**
Katsumi et al.

(10) **Patent No.:** **US D822,517 S**
(45) **Date of Patent:** **** Jul. 10, 2018**

- (54) **HUMAN BODY DETECTOR**
- (71) Applicant: **OPTEX CO., LTD.**, Shiga (JP)
- (72) Inventors: **Keisuke Katsumi**, Otsu (JP); **Motoki Tamura**, Kyoto (JP)
- (73) Assignee: **OPTEX CO., LTD.** (JP)
- (**) Term: **15 Years**
- (21) Appl. No.: **29/540,665**
- (22) Filed: **Sep. 25, 2015**

(30) **Foreign Application Priority Data**

Apr. 3, 2015 (JP) 2015-007551

(51) **LOC (11) Cl.** **10-05**

(52) **U.S. Cl.**
USPC **D10/106.7**

(58) **Field of Classification Search**
USPC D10/106.6, 106.7; D16/203
See application file for complete search history.

(56) **References Cited**

U.S. PATENT DOCUMENTS

- D662,120 S * 6/2012 Deurwaarder D16/203
- D750,147 S * 2/2016 Muller D16/203
- D753,206 S * 4/2016 Ravat D16/203
- D762,130 S * 7/2016 Hays D10/106.7
- D762,500 S * 8/2016 Hays D10/106.7

- D762,501 S * 8/2016 Hays D10/106.7
- D777,235 S * 1/2017 Jang D16/203
- D783,076 S * 4/2017 Ravat D16/203
- D794,106 S * 8/2017 Wang D16/203
- D803,920 S * 11/2017 Shin D16/203
- D803,926 S * 11/2017 Katori D16/219
- D809,048 S * 1/2018 Andersson D16/203
- D810,804 S * 2/2018 Borel D16/203

* cited by examiner

Primary Examiner — George D. Kirschbaum

(57) **CLAIM**

The ornamental design for a human body detector, as shown and described.

DESCRIPTION

FIG. 1 is a front elevational view of a human body detector showing our new design;
 FIG. 2 is a rear elevational view thereof;
 FIG. 3 is a left side elevational view thereof;
 FIG. 4 is a right side elevational view thereof;
 FIG. 5 is a top plan view thereof;
 FIG. 6 is a front left perspective view thereof;
 FIG. 7 is a rear left perspective view thereof;
 FIG. 8 is a front right perspective view thereof;
 FIG. 9 is a rear right perspective view thereof;
 FIG. 10 is a rear right perspective view thereof with a sensor dome at a first rotated position on a base;
 FIG. 11 is a rear left perspective view thereof with the sensor dome at a second rotated position; and,
 FIG. 12 is a rear right perspective view thereof with the sensor dome at a third rotated position.

1 Claim, 12 Drawing Sheets

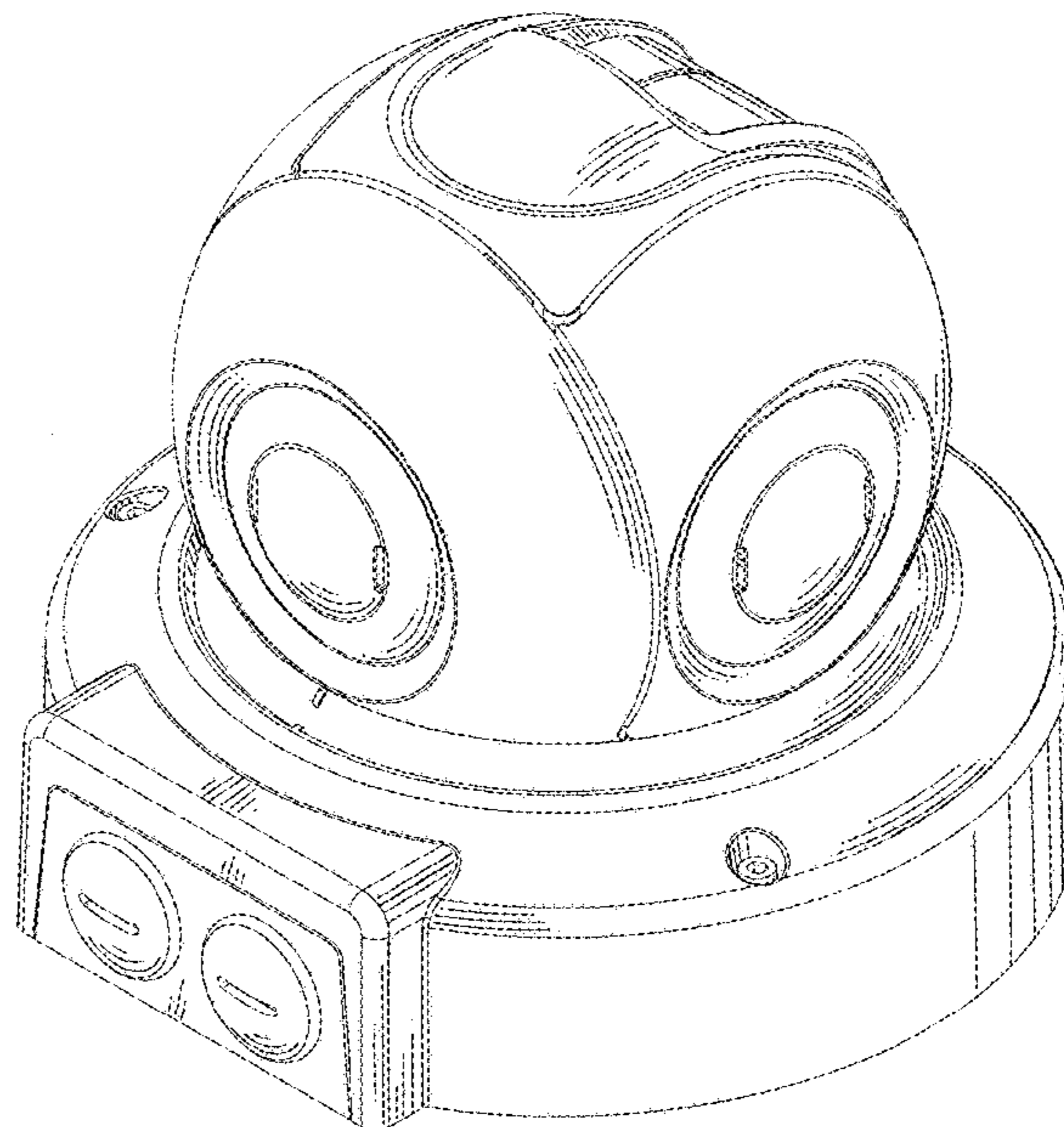
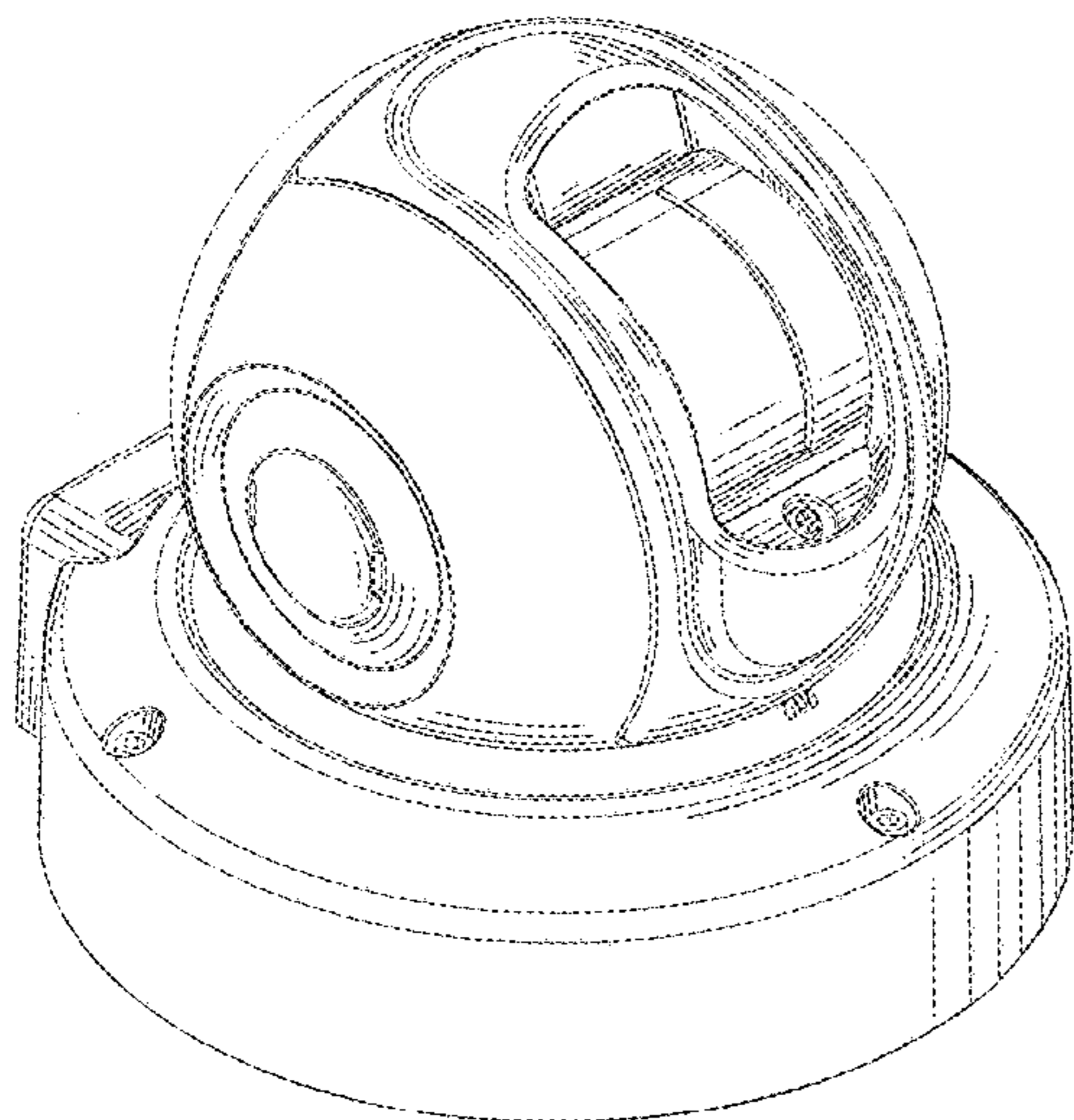


Fig. 1

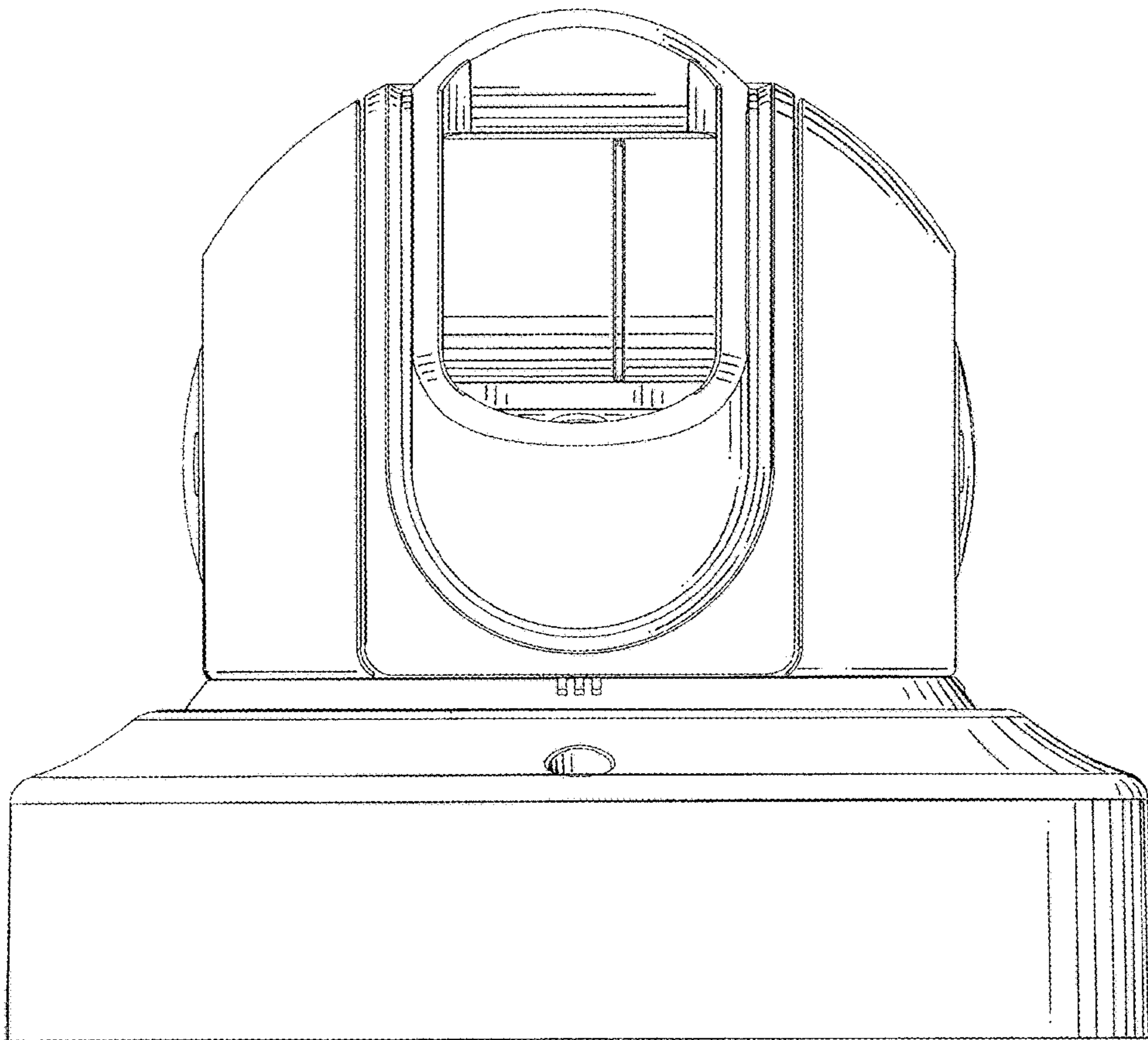


Fig. 2

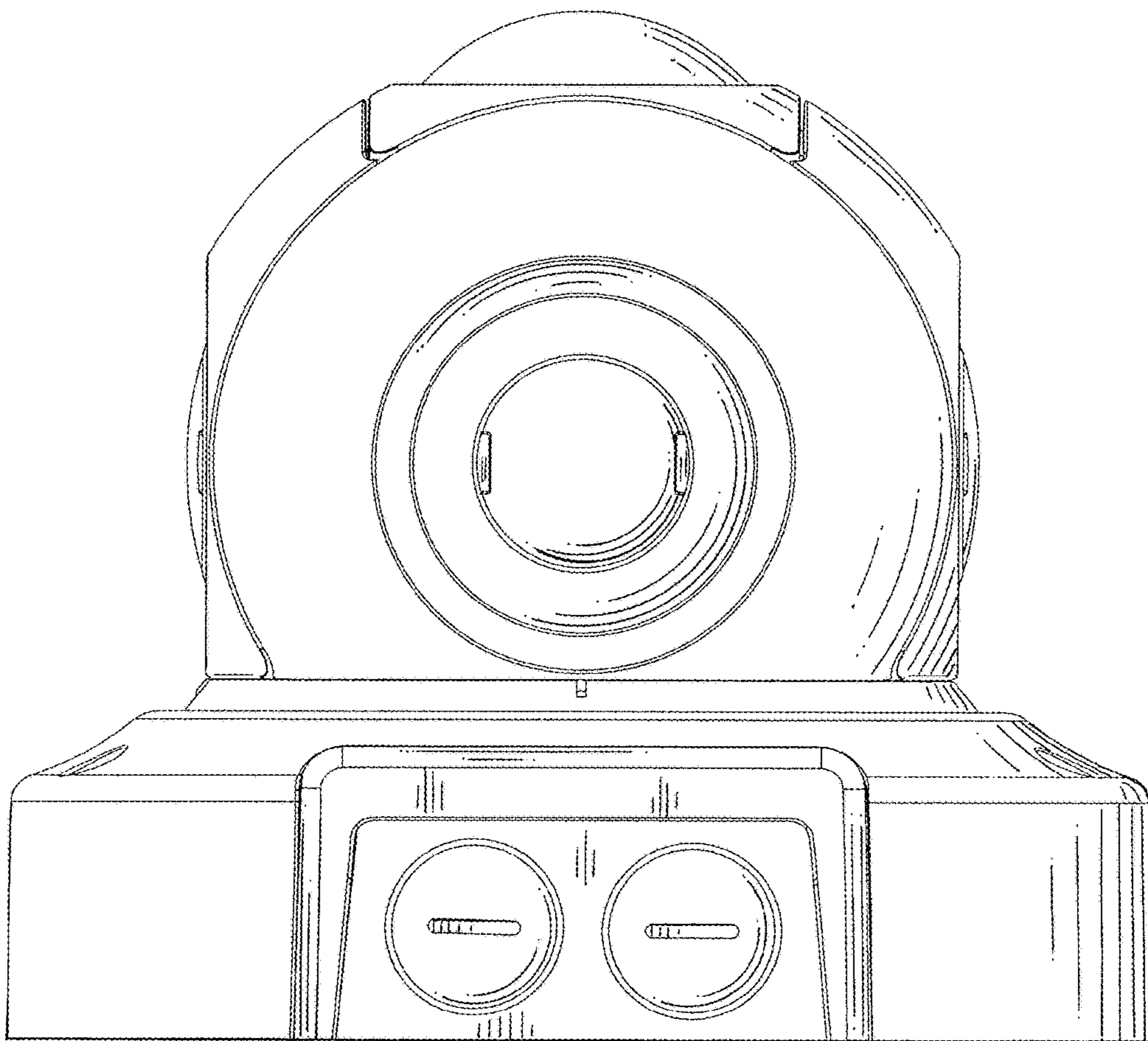


Fig. 3

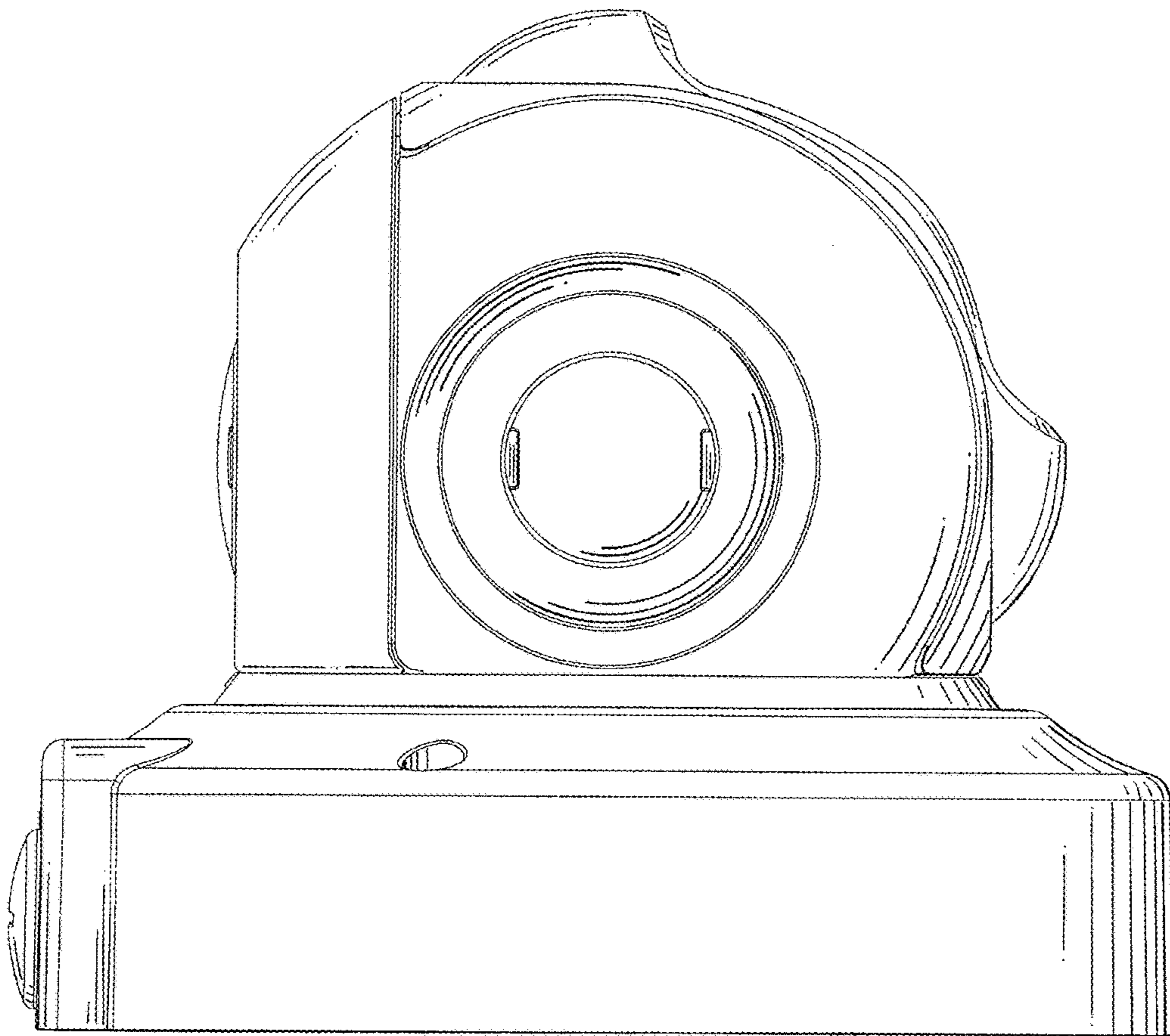


Fig. 4

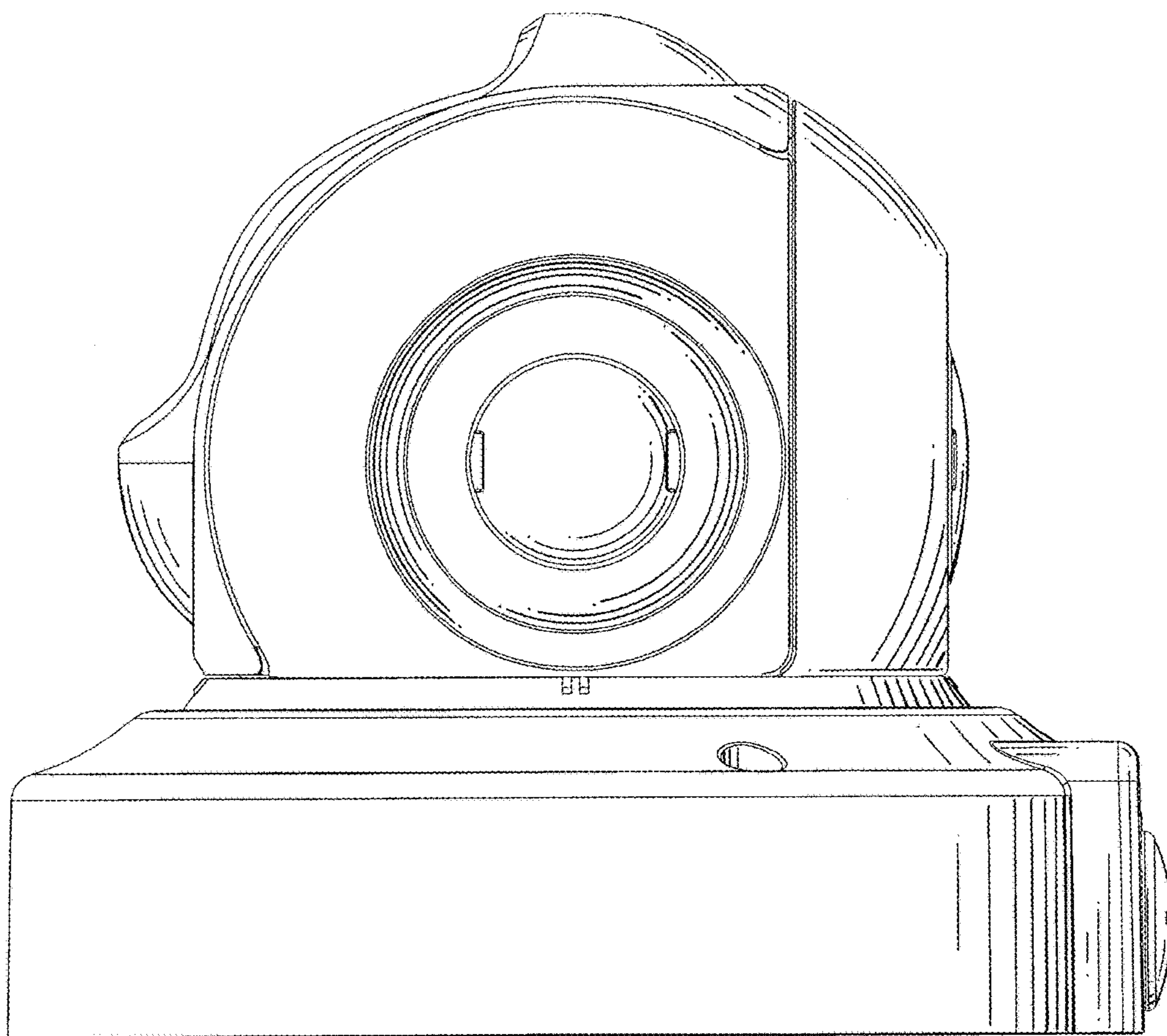


Fig. 5

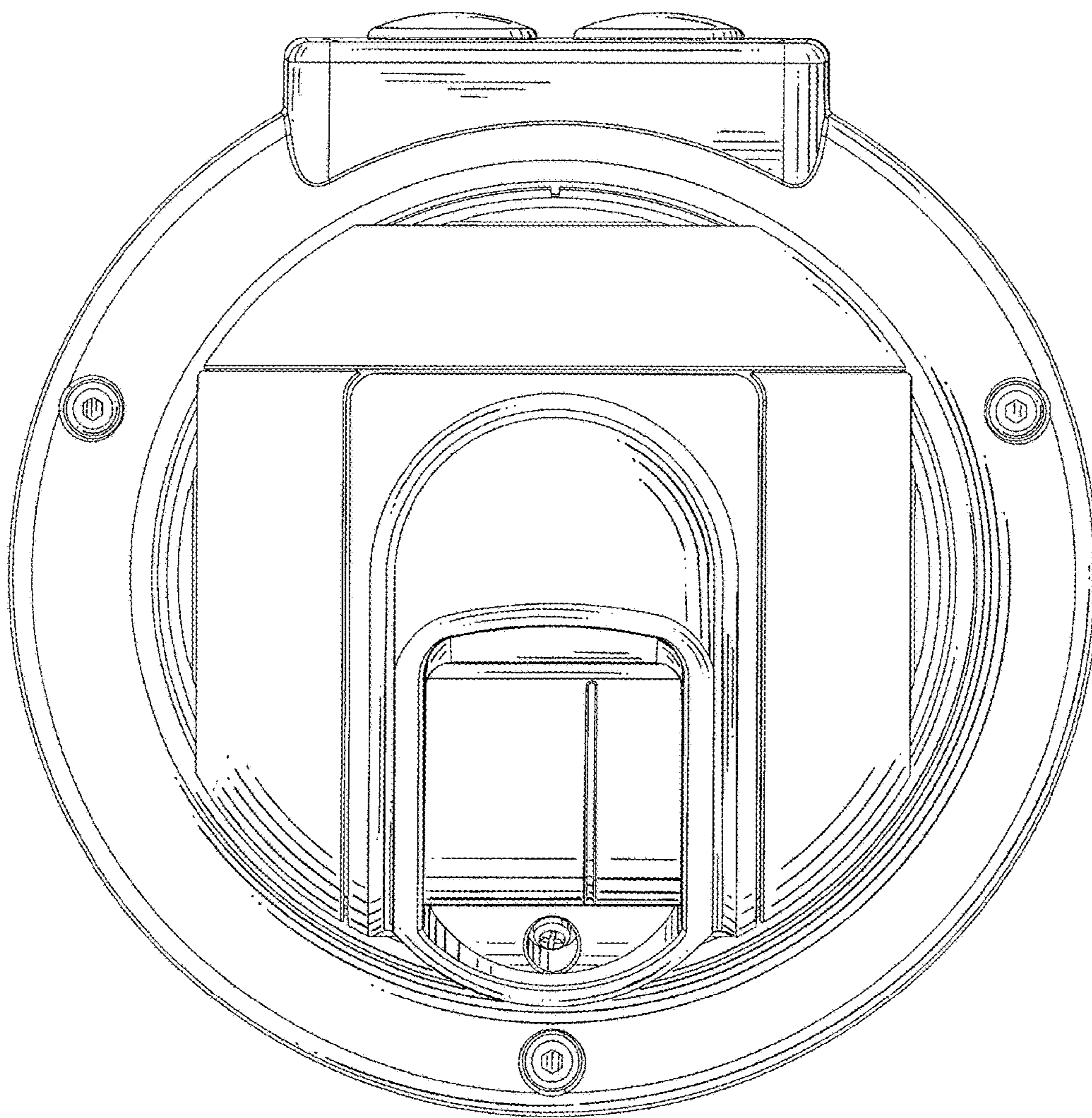


Fig. 6

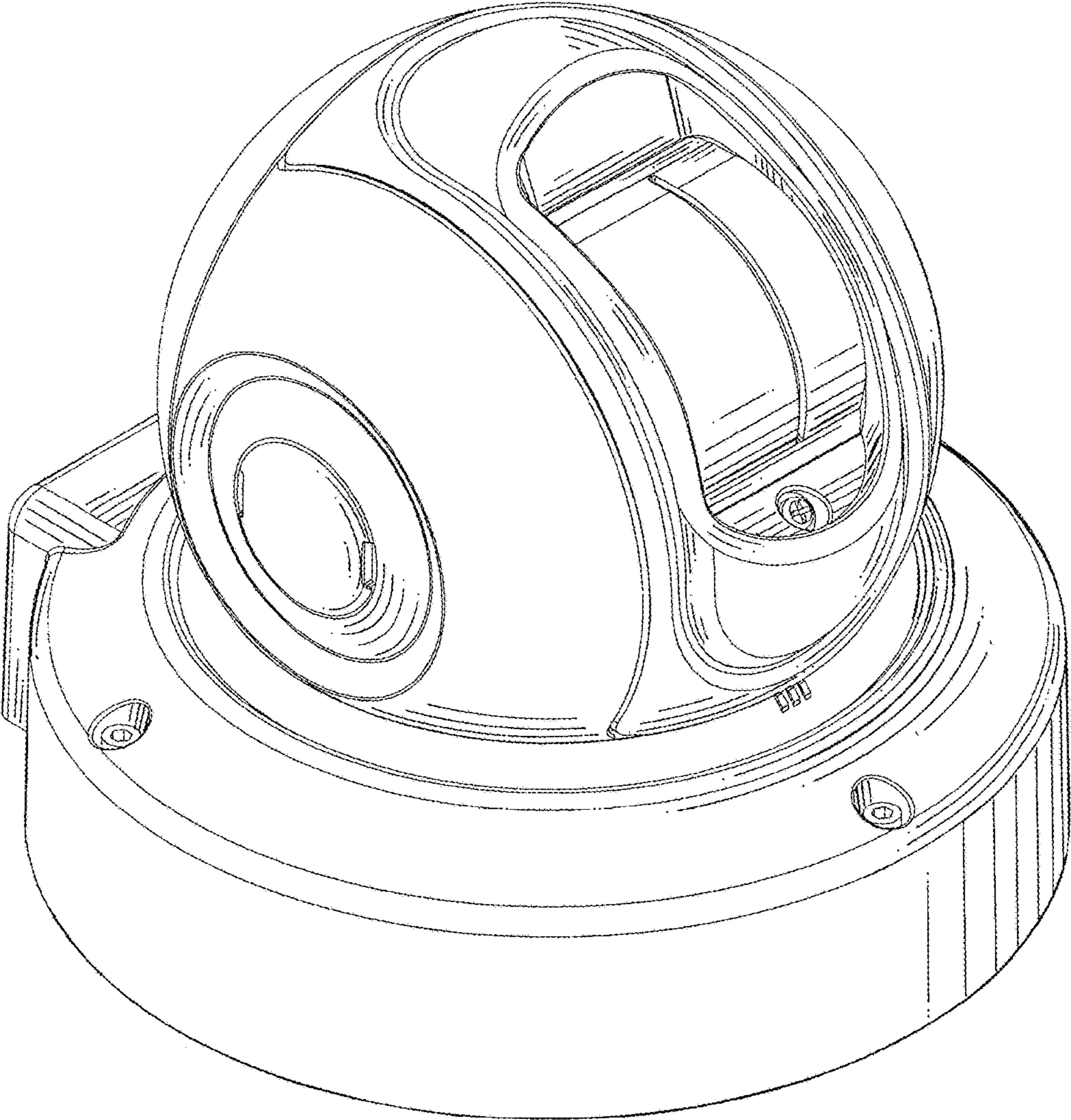


Fig. 7

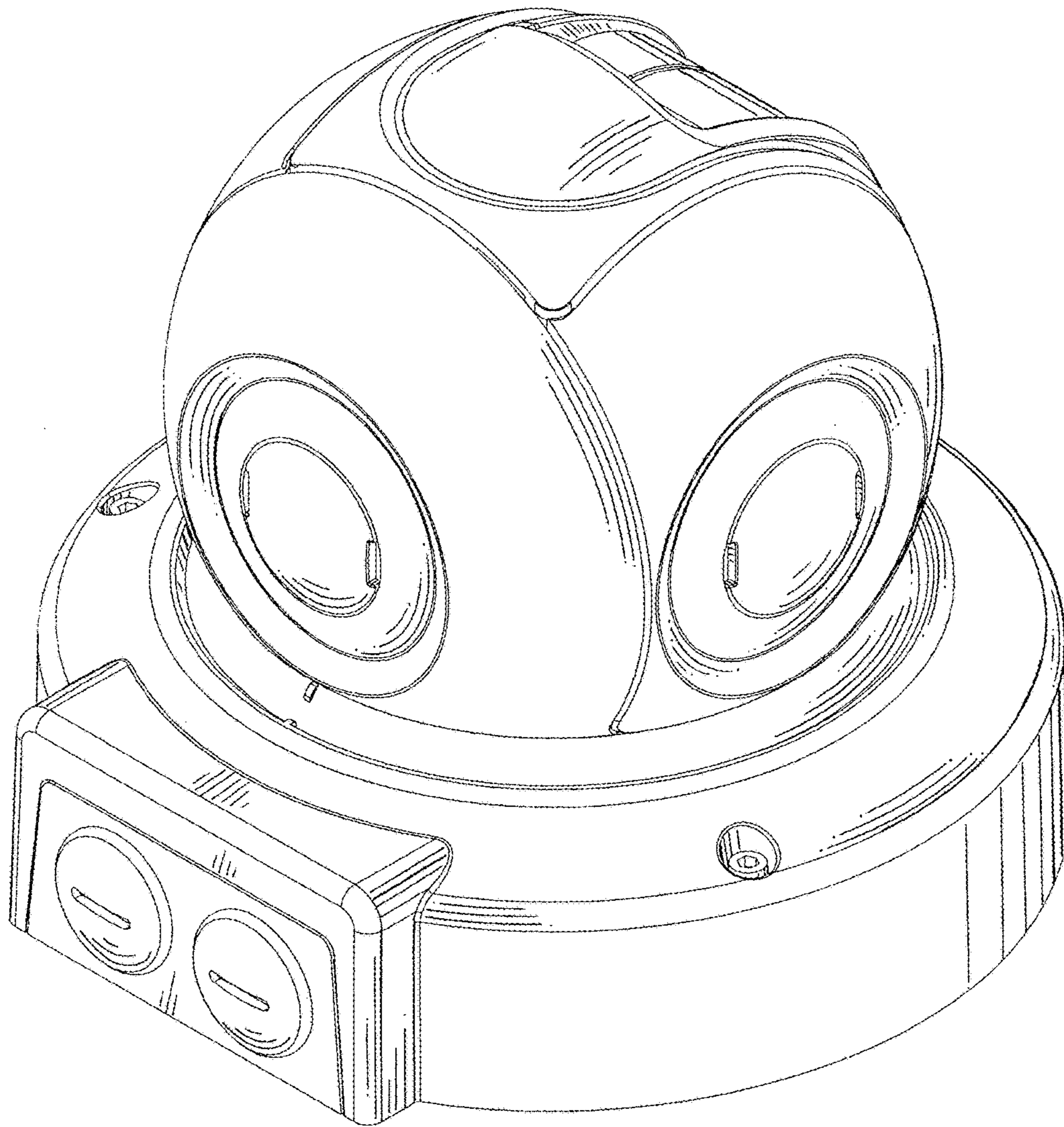


Fig. 8

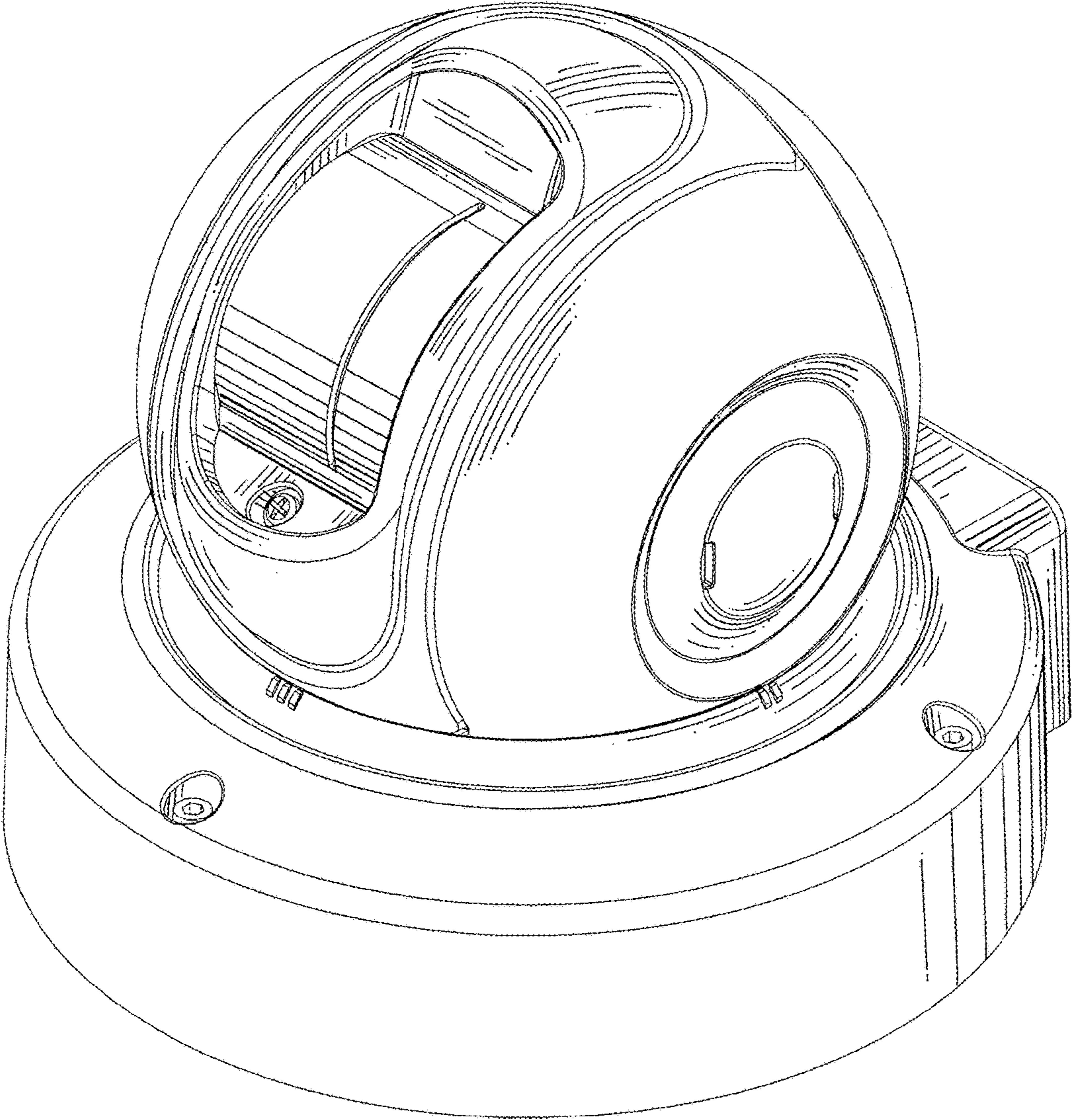


Fig. 9

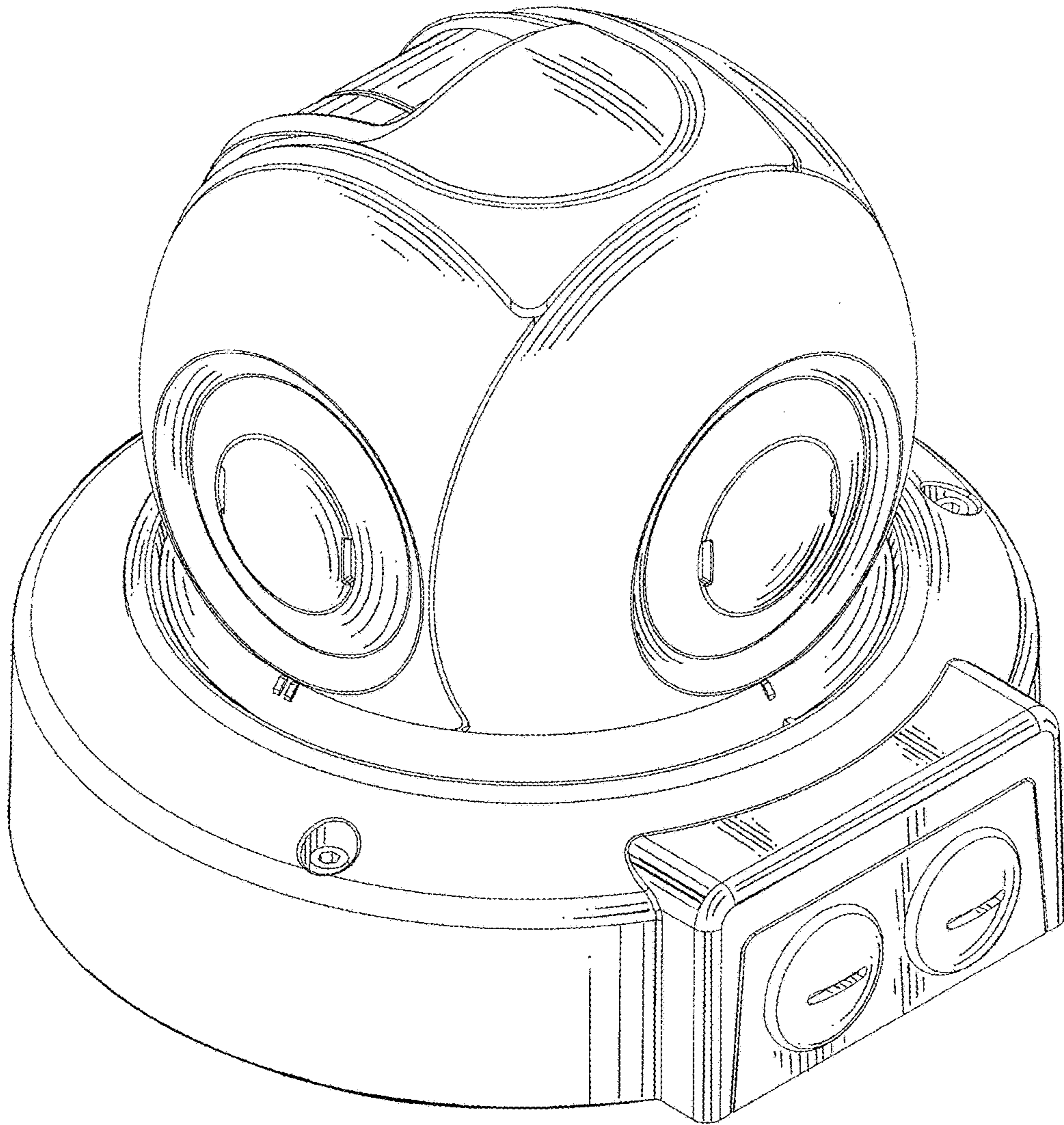


Fig. 10

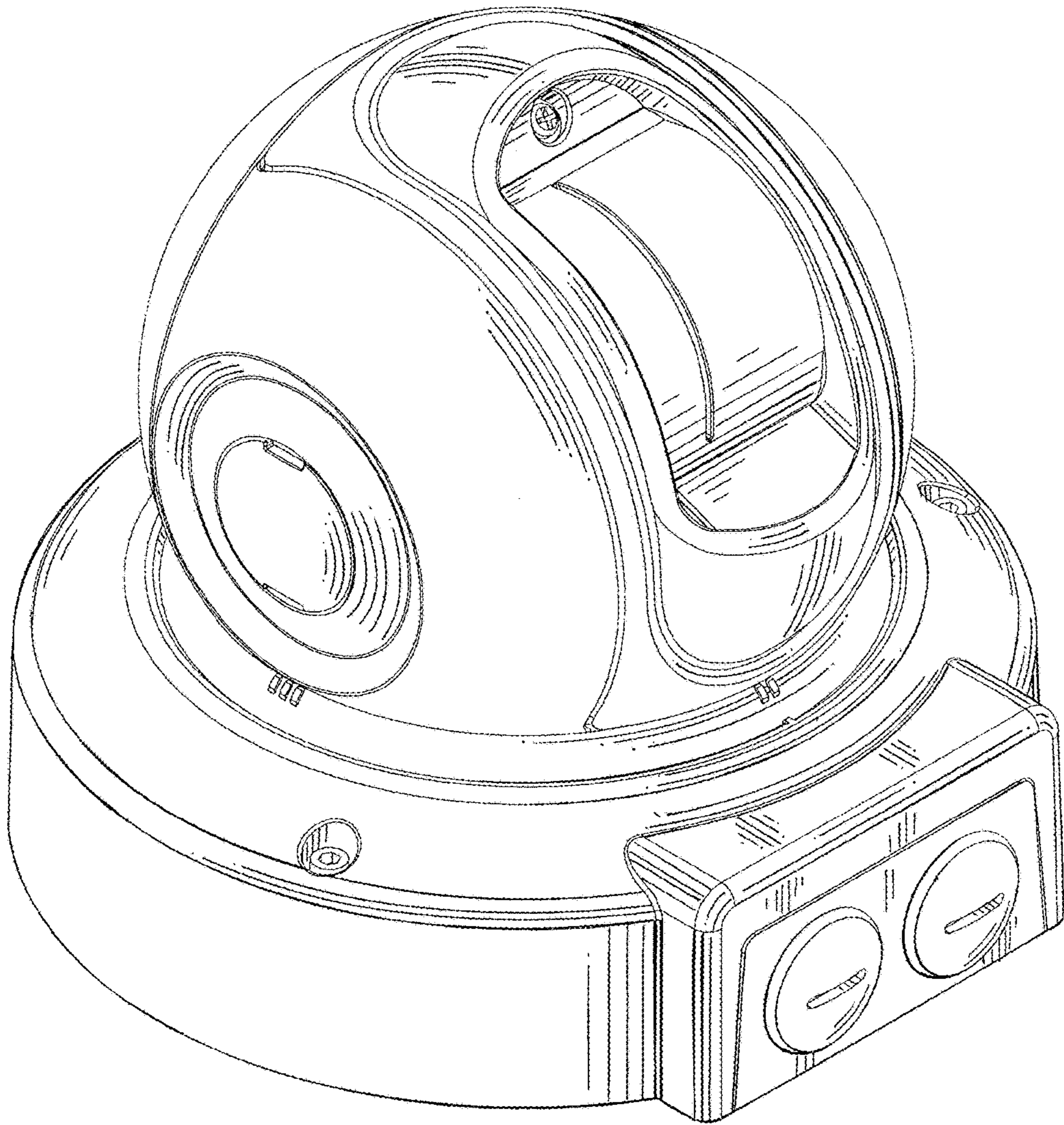


Fig. 11

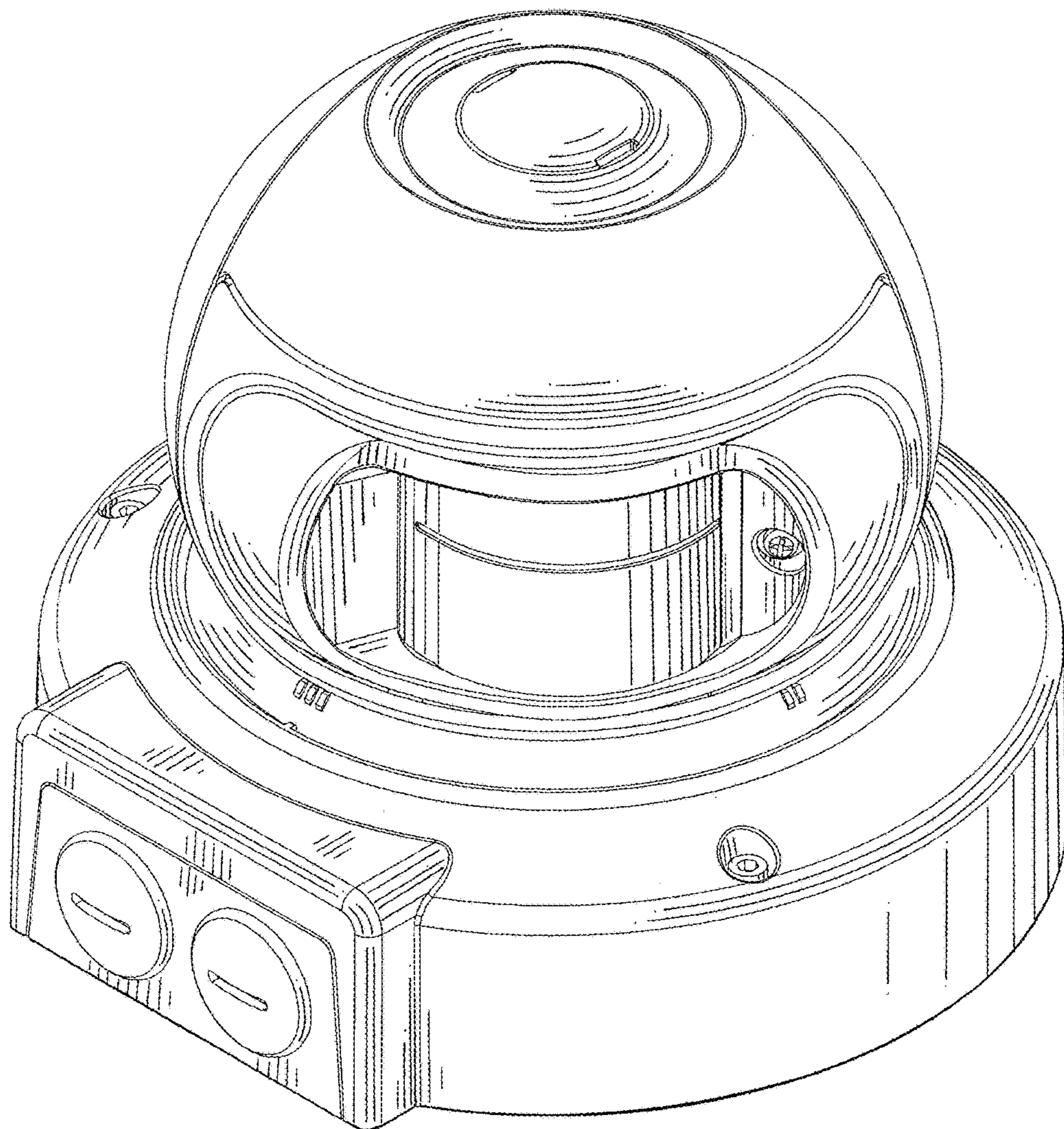


Fig. 12

