



US00D822515S

(12) **United States Design Patent** (10) **Patent No.:** **US D822,515 S**  
**Fornoff et al.** (45) **Date of Patent:** **\*\* Jul. 10, 2018**

(54) **MOUTHPIECE FOR A BREATH ANALYSIS APPARATUS**

(71) Applicant: **Robert Bosch GmbH**, Stuttgart (DE)

(72) Inventors: **Dieter Fornoff**, Darmstadt (DE);  
**Torsten Richter**, Darmstadt (DE)

(73) Assignee: **Robert Bosch GmbH**, Stuttgart (DE)

(\*\*) Term: **15 Years**

(21) Appl. No.: **29/590,167**

(22) Filed: **Jan. 8, 2017**

(30) **Foreign Application Priority Data**

Jul. 11, 2016 (EM) ..... 003301563

(51) **LOC (11) Cl.** ..... **10-04**

(52) **U.S. Cl.**  
USPC ..... **D10/81**

(58) **Field of Classification Search**  
USPC ..... D10/78, 81

(Continued)

(56) **References Cited**

**U.S. PATENT DOCUMENTS**

4,656,008 A \* 4/1987 Gump ..... G01N 21/783

422/86

4,825,874 A \* 5/1989 Uhlemann ..... A61B 5/02438

600/509

(Continued)

*Primary Examiner* — Antoine Duval Davis

(74) *Attorney, Agent, or Firm* — Maginot, Moore & Beck LLP

(57) **CLAIM**

The ornamental design for a mouthpiece for a breath analysis apparatus, as shown and described.

**DESCRIPTION**

Cross reference is made to copending U.S. design patent application Ser. No. 29/590,161 entitled “Apparatus for

Breath Analysis” by Fornoff et al. filed on even date herewith; U.S. design patent application Ser. No. 29/590,162 entitled “Apparatus for Breath Analysis” by Fornoff et al. filed on even date herewith; U.S. design patent application Ser. No. 29/590,163 entitled “Apparatus for Breath Analysis” by Fornoff et al. filed on even date herewith; U.S. design patent application Ser. No. 29/590,164 entitled “Display Screen with an Animated Graphical User Interface” by Fornoff et al. filed on even date herewith; U.S. design patent application Ser. No. 29/590,165 entitled “Display Screen with a Graphical User Interface” by Fornoff et al. filed on even date herewith; U.S. design patent application Ser. No. 29/590,170 entitled “Apparatus for Breath Analysis” by Fornoff et al. filed on even date herewith; and U.S. design patent application Ser. No. 29/590,172 entitled “Translucent Mouthpiece for a Breath Analysis Apparatus” by Fornoff et al. filed on even date herewith.

FIG. 1 is a perspective view of a first embodiment of a mouthpiece for a breath analysis apparatus showing our new design;

FIG. 2 is a right side elevational view of the mouthpiece for a breath analysis apparatus of FIG. 1;

FIG. 3 is a left side elevational view of the mouthpiece for a breath analysis apparatus of FIG. 1;

FIG. 4 is a front elevational view of the mouthpiece for a breath analysis apparatus of FIG. 1;

FIG. 5 is a rear elevational view of the mouthpiece for a breath analysis apparatus of FIG. 1;

FIG. 6 is a top plan view of the mouthpiece for a breath analysis apparatus of FIG. 1; and

FIG. 7 is a bottom plan view of the mouthpiece for a breath analysis apparatus of FIG. 1.

FIG. 8 is a perspective view of a second embodiment of a mouthpiece for a breath analysis apparatus showing our new design;

FIG. 9 is a right side elevational view of the mouthpiece for a breath analysis apparatus of FIG. 8;

FIG. 10 is a left side elevational view of the mouthpiece for a breath analysis apparatus of FIG. 8;

FIG. 11 is a front elevational view of the mouthpiece for a breath analysis apparatus of FIG. 8;

FIG. 12 is a rear elevational view of the mouthpiece for a breath analysis apparatus of FIG. 8;

(Continued)

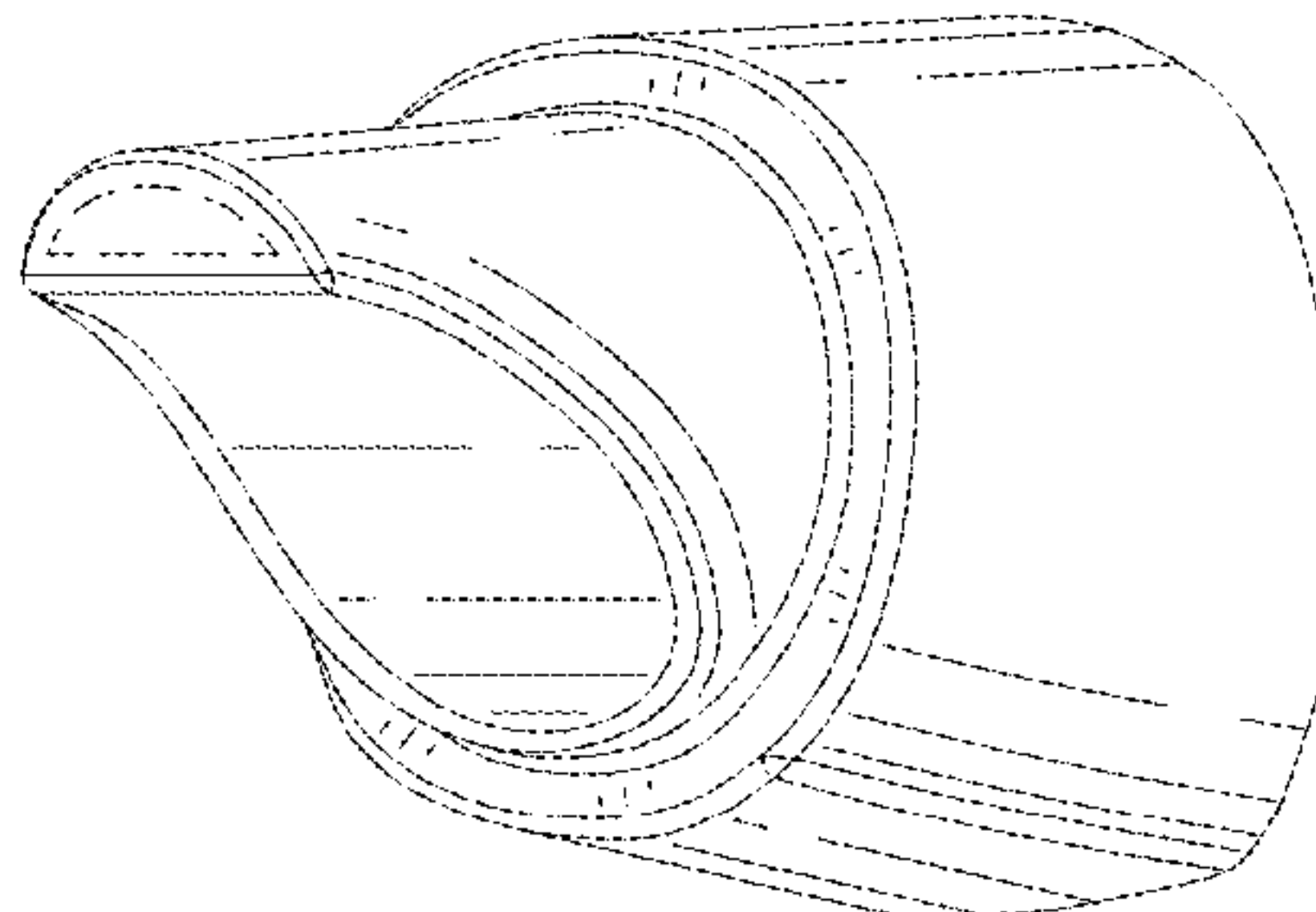


FIG. 13 is a top plan view of the mouthpiece for a breath analysis apparatus of FIG. 8; and,

FIG. 14 is a bottom plan view of the mouthpiece for a breath analysis apparatus of FIG. 8.

The broken lines shown in the drawings illustrate portions of the mouthpiece for a breath analysis apparatus that form no part of the claimed design.

**1 Claim, 14 Drawing Sheets**

(58) **Field of Classification Search**

CPC ..... A61B 5/083; A61B 5/087; A61B 5/0833;  
A61B 5/091; A61B 5/222; A61B 5/0002;  
A61B 5/02438; A61B 5/08; G01N  
33/497; G01N 33/4972; G01N 33/483;  
G01N 33/98; G10L 17/00; Y10S 436/90

See application file for complete search history.

(56) **References Cited**

U.S. PATENT DOCUMENTS

|           |      |         |                  |                           |
|-----------|------|---------|------------------|---------------------------|
| 6,004,277 | A *  | 12/1999 | Maharaj .....    | A61B 5/087<br>600/532     |
| 6,450,969 | B1 * | 9/2002  | Farr .....       | A61B 5/087<br>600/529     |
| 7,182,733 | B2 * | 2/2007  | Sauerland .....  | A61B 5/0002<br>181/131    |
| 8,517,938 | B2 * | 8/2013  | Eisenhardt ..... | A61B 5/0002<br>340/539.12 |
| D749,441  | S *  | 2/2016  | Rekow .....      | D10/78                    |
| D782,927  | S *  | 4/2017  | Nothacker .....  | D10/81                    |

\* cited by examiner

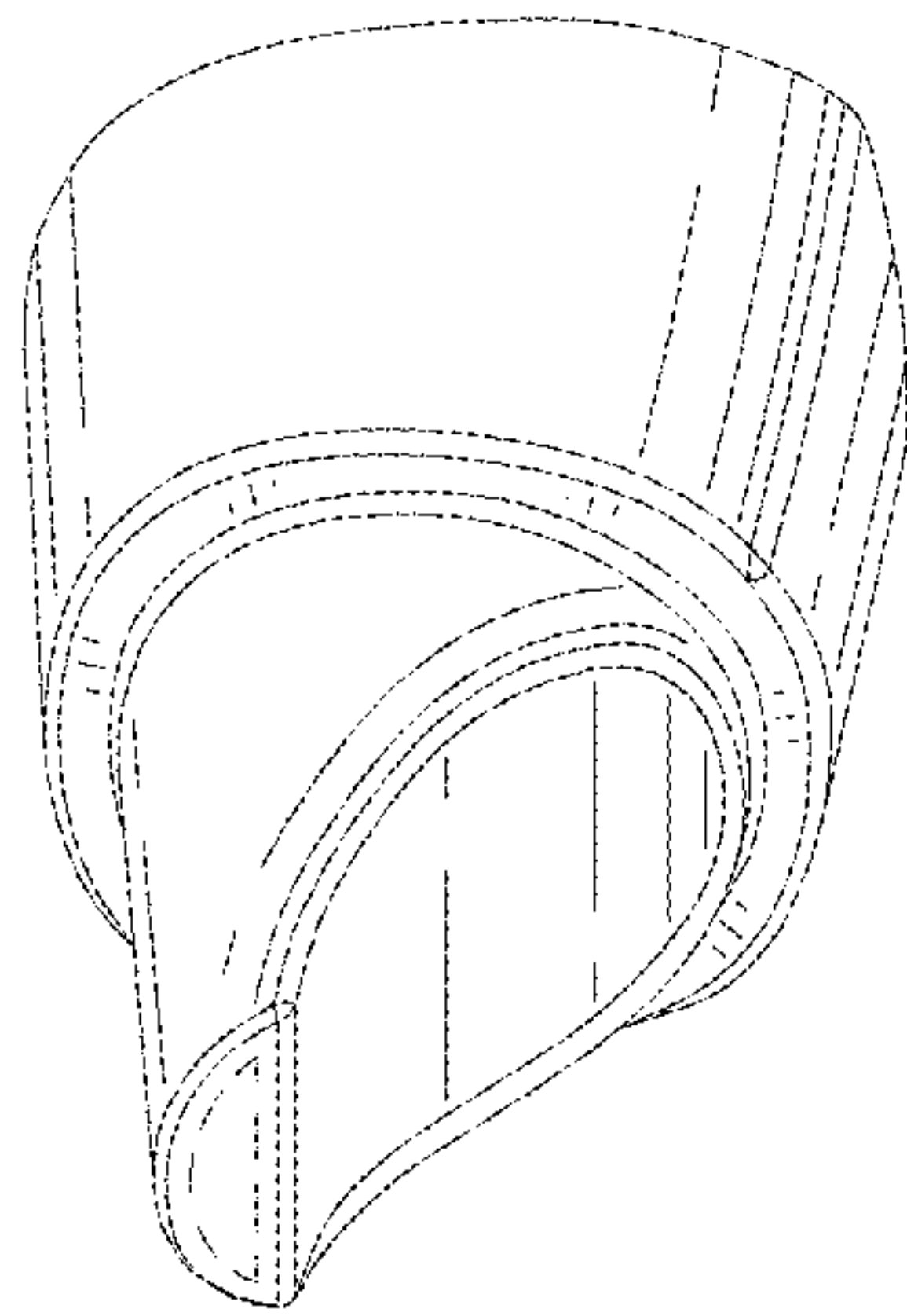


Fig. 1

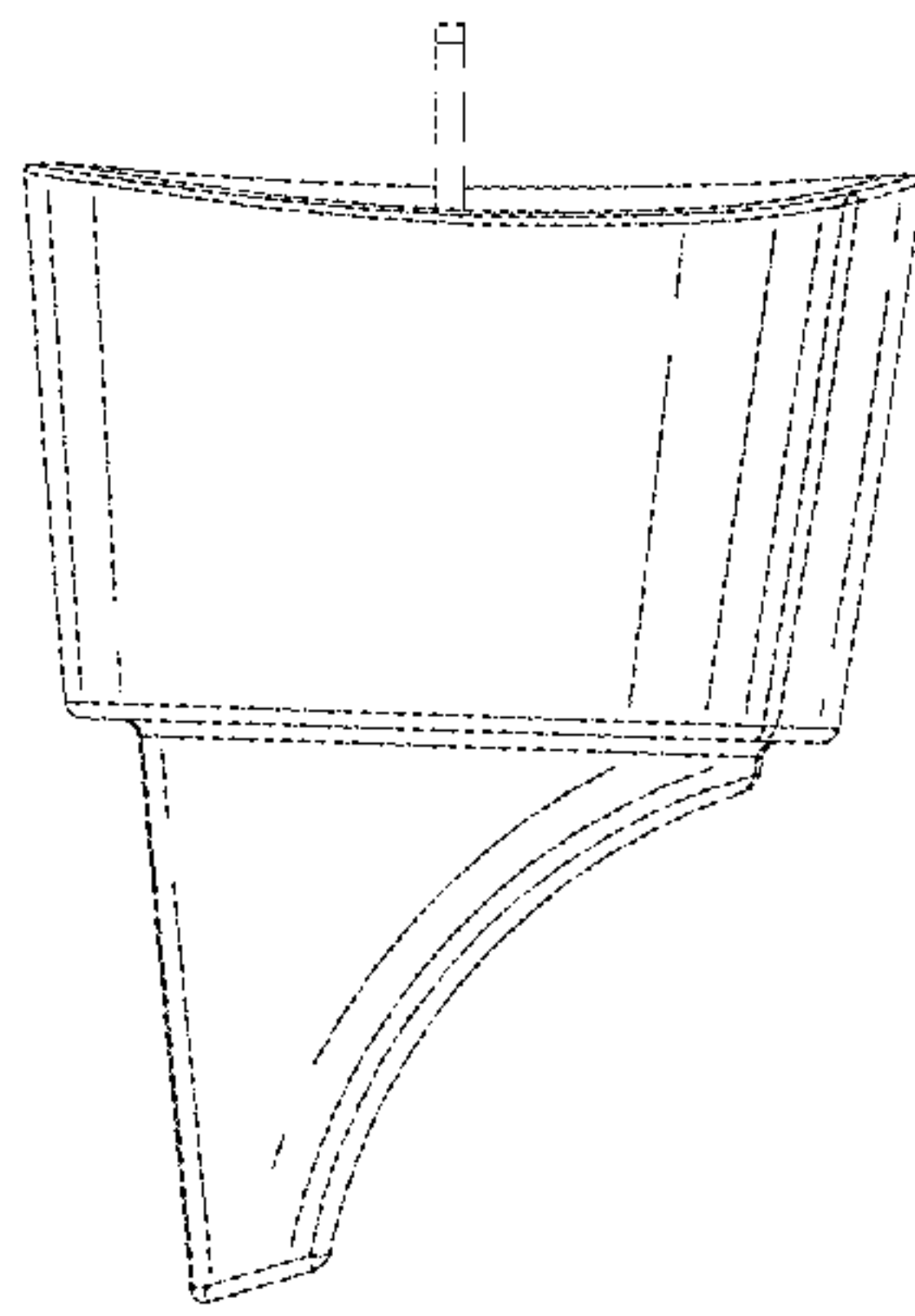


Fig. 2

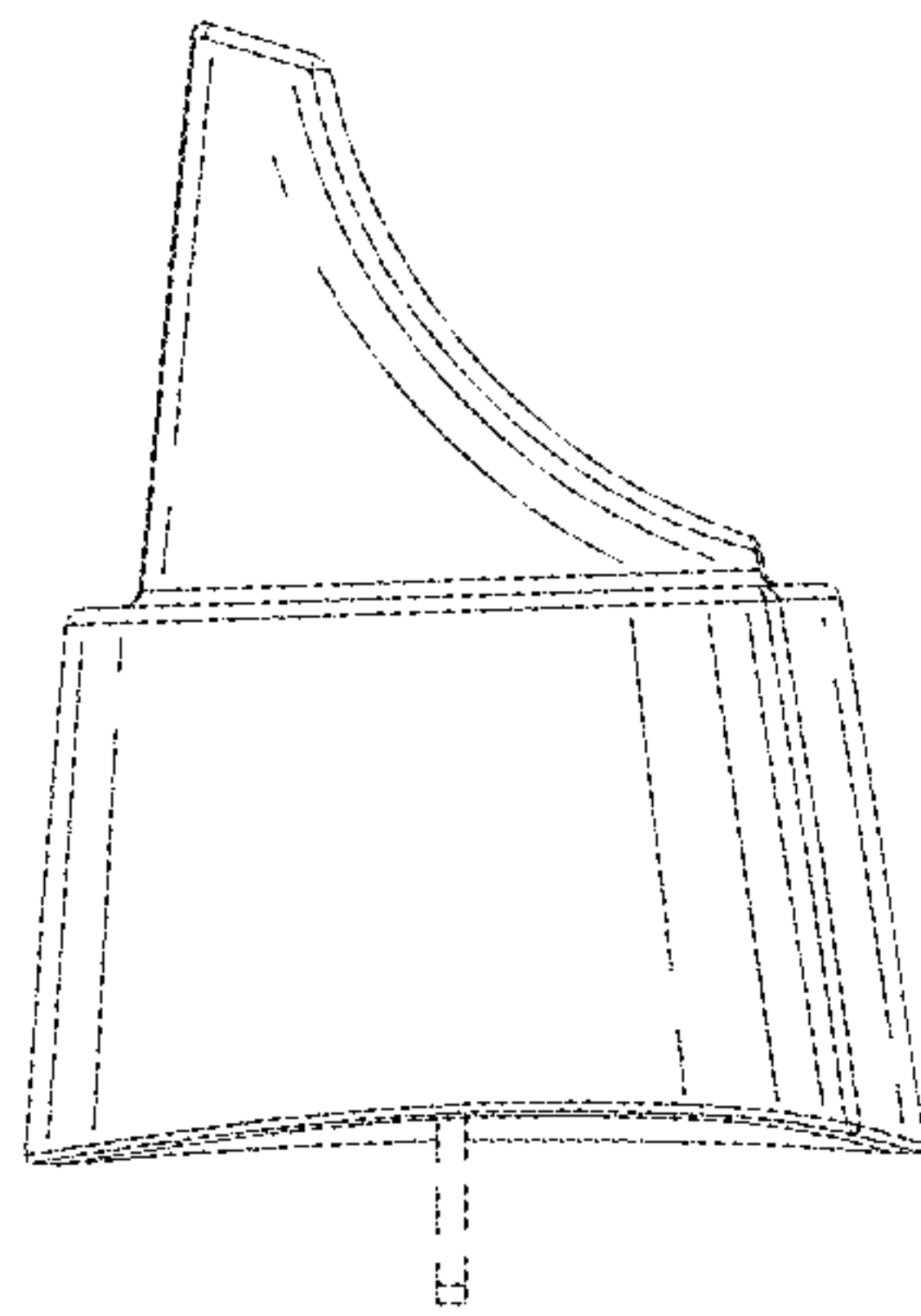
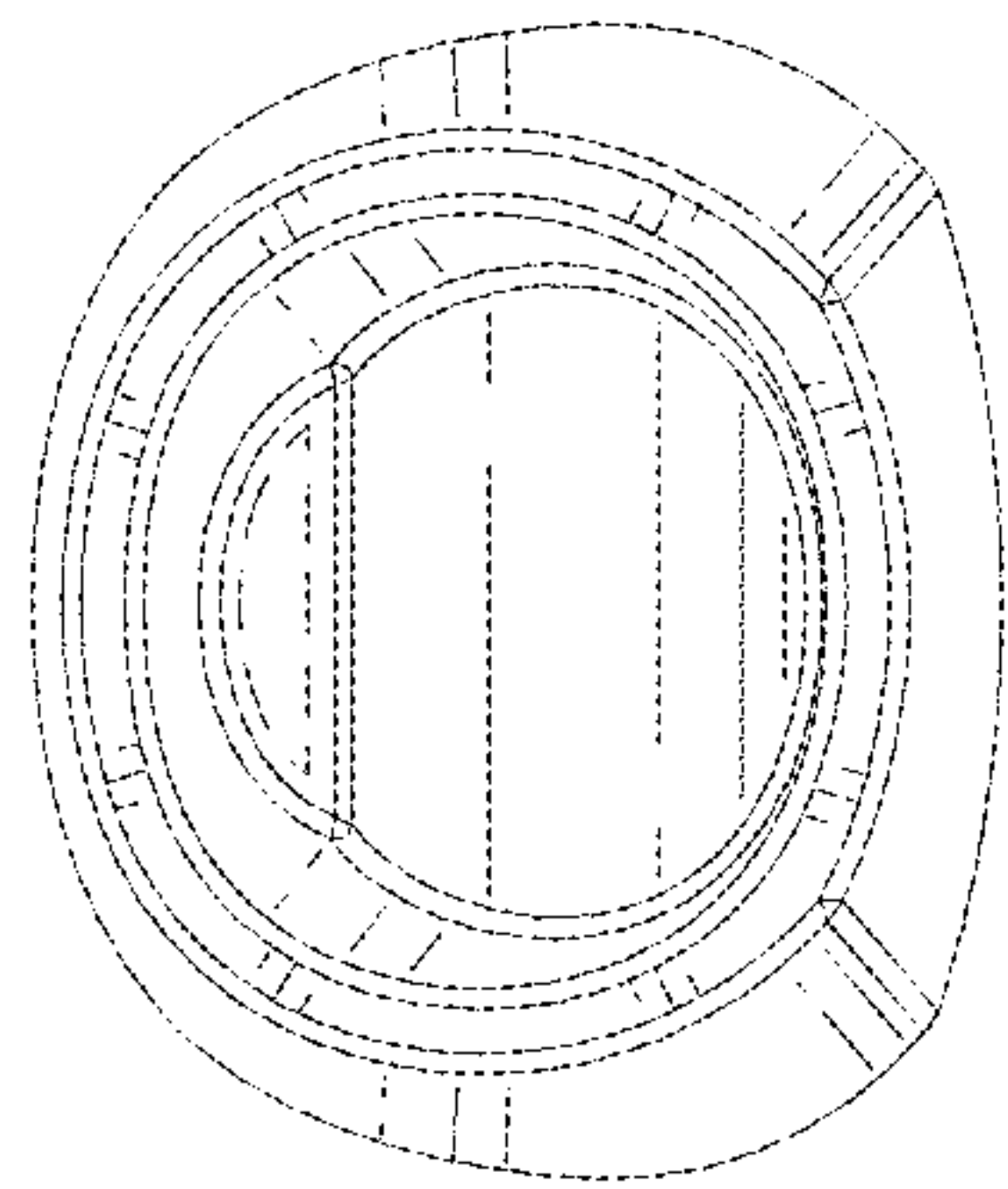


Fig. 3



**Fig. 4**

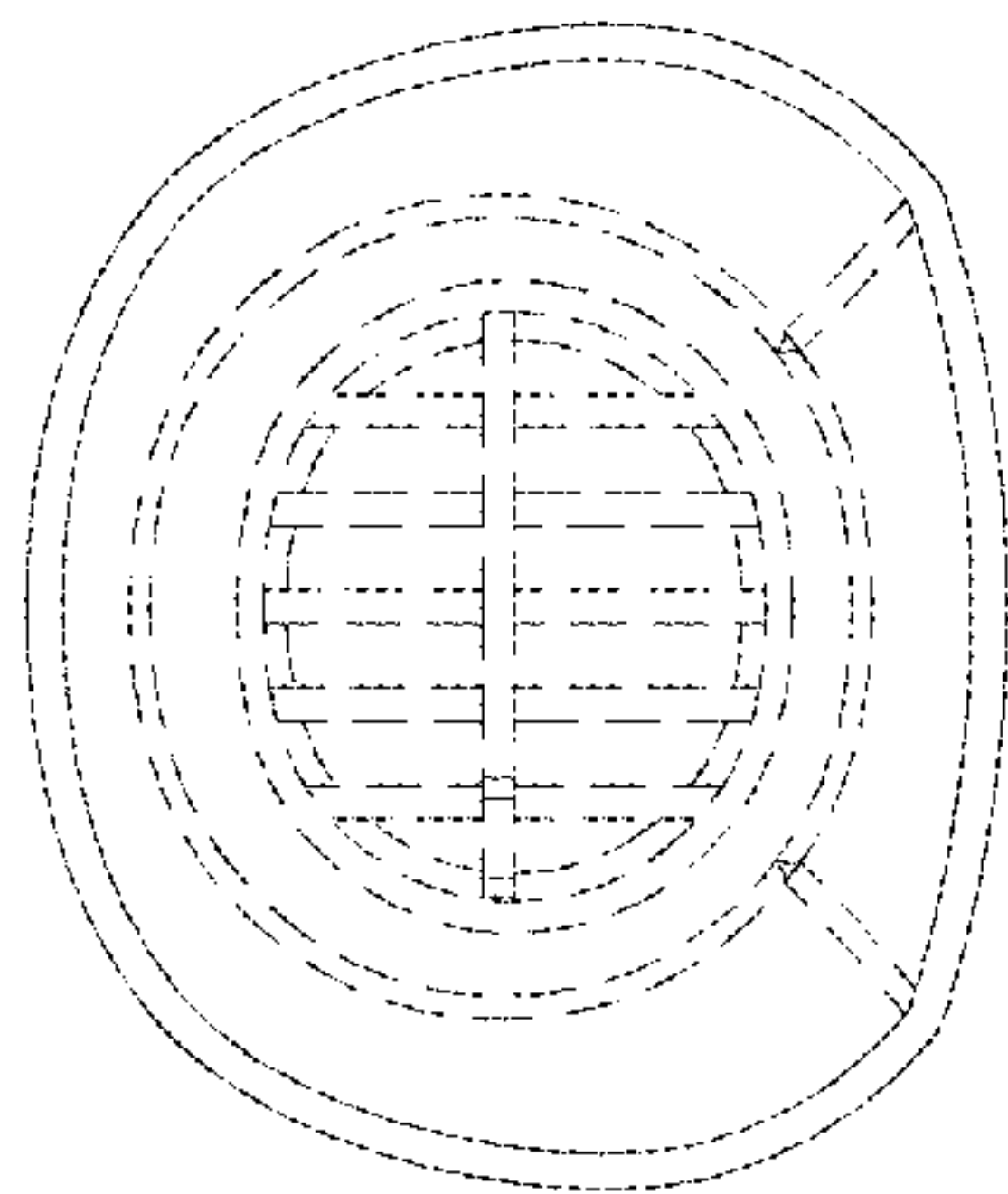


Fig. 5

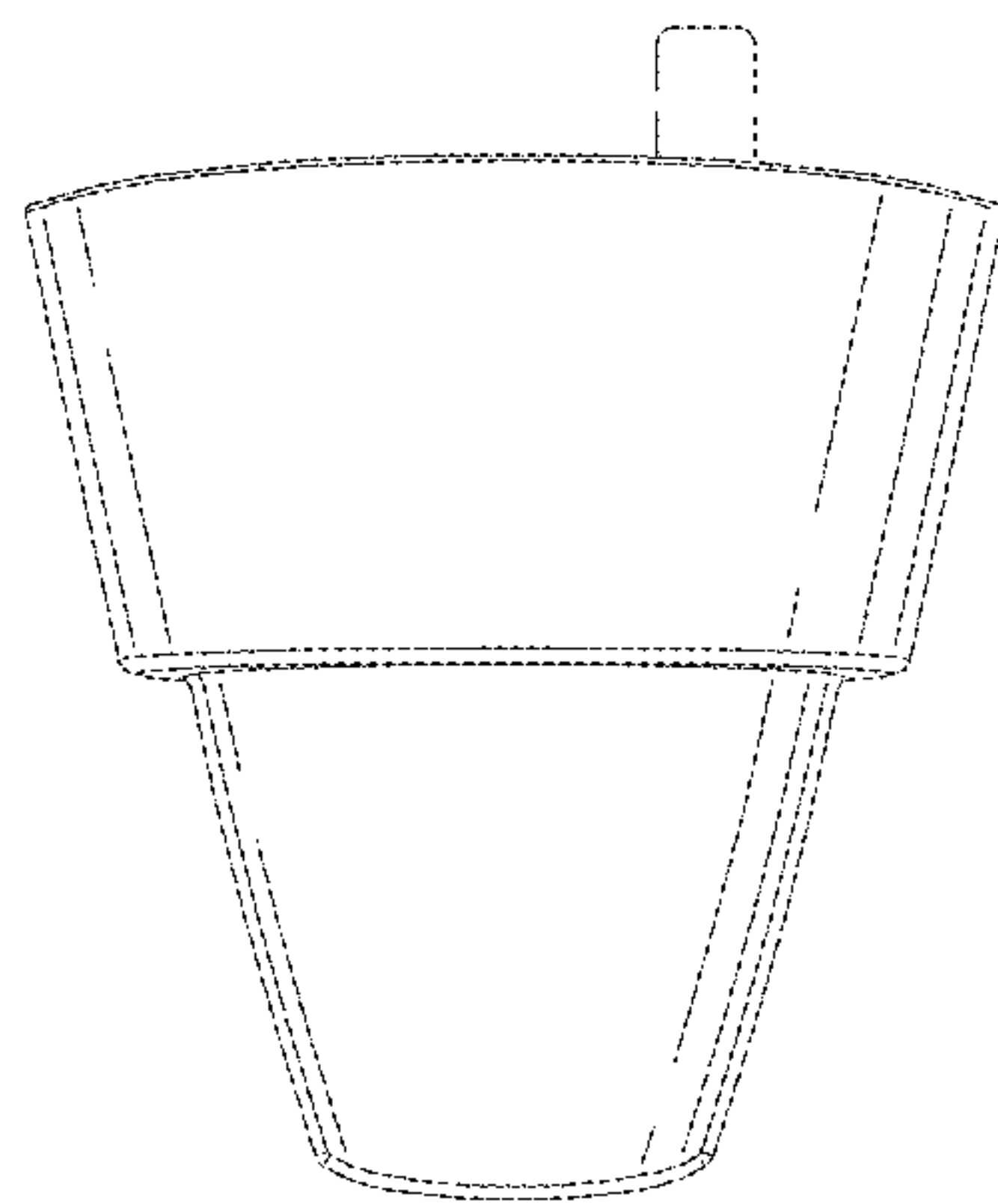


Fig. 6



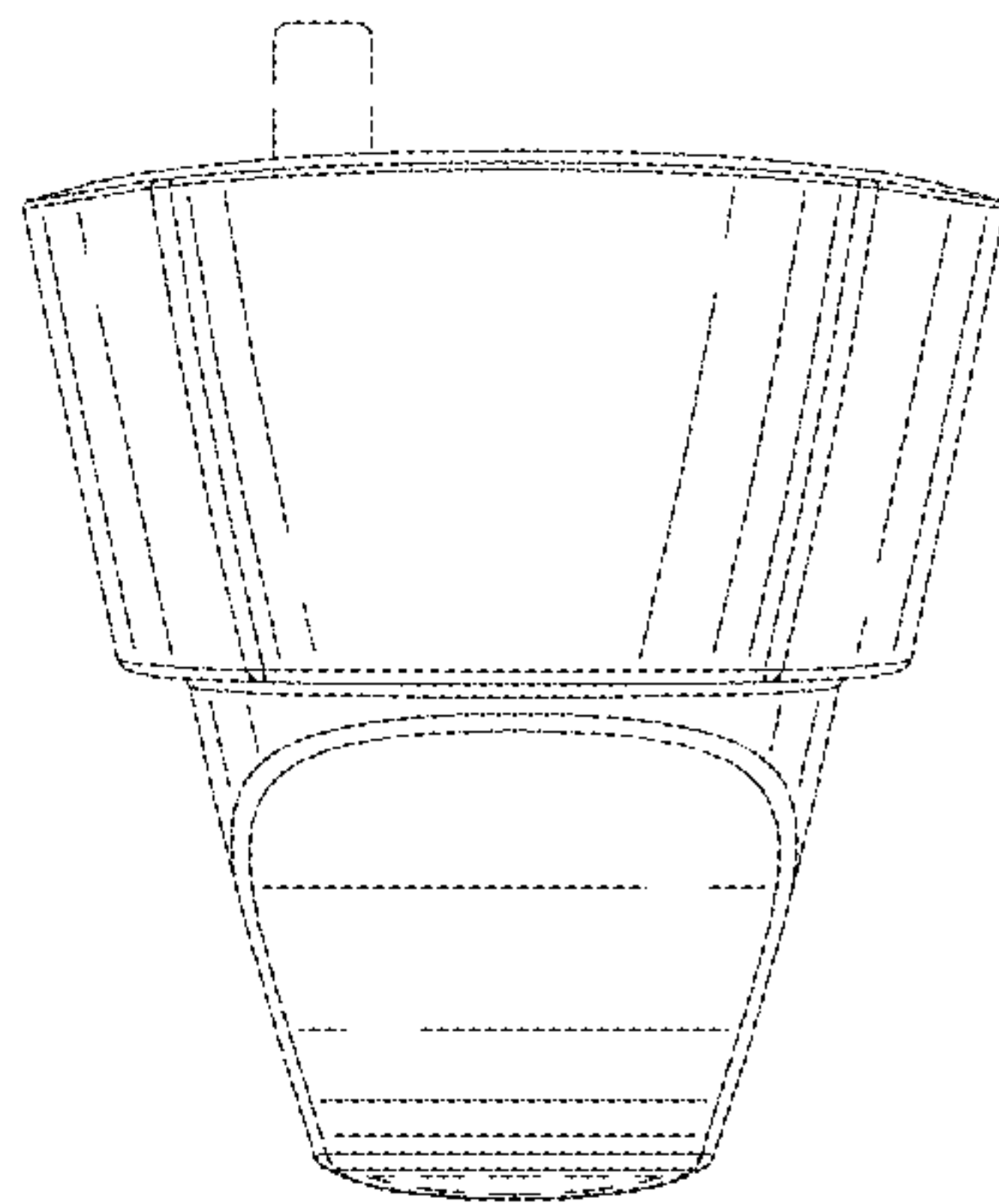


Fig. 7

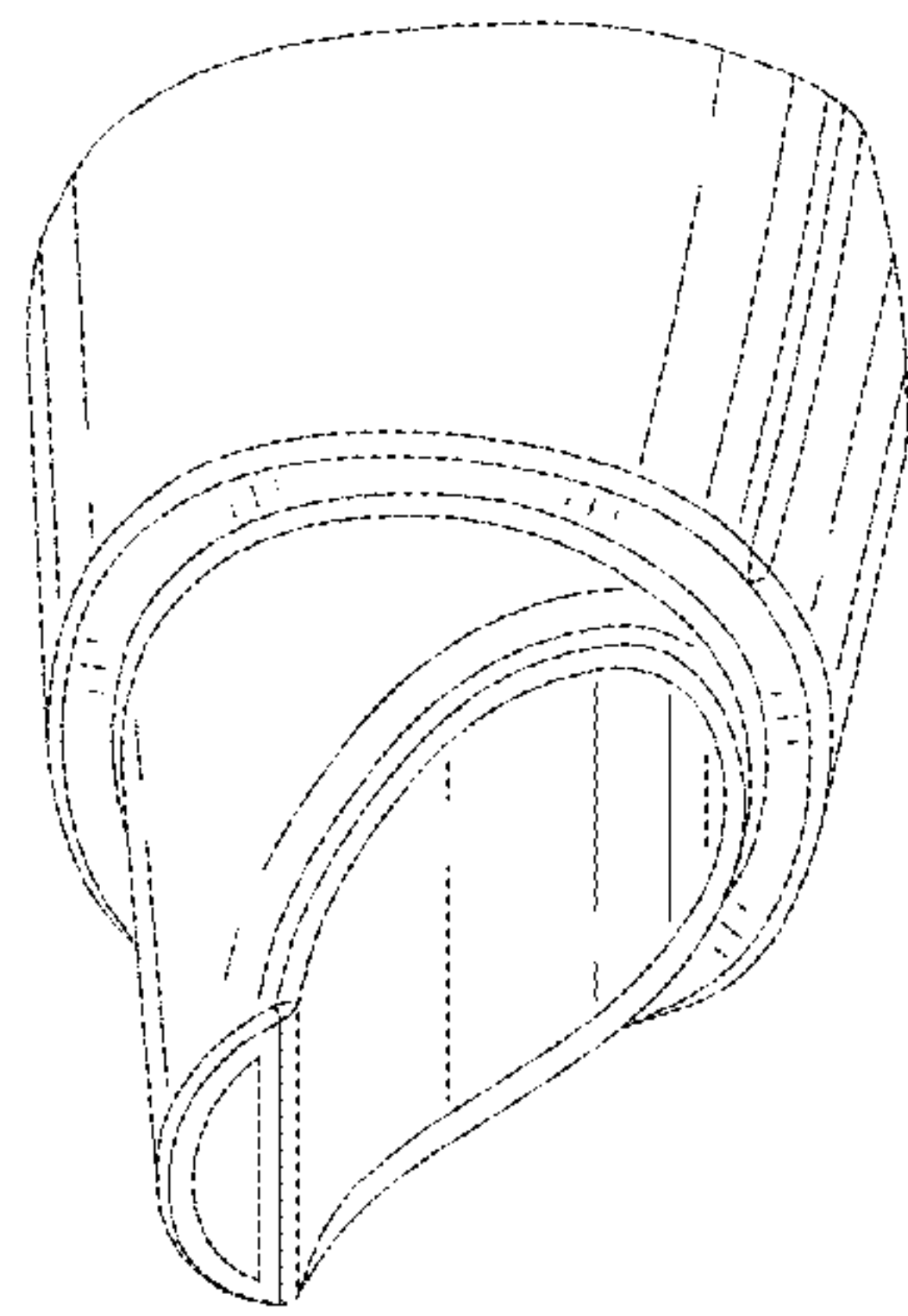


Fig. 8

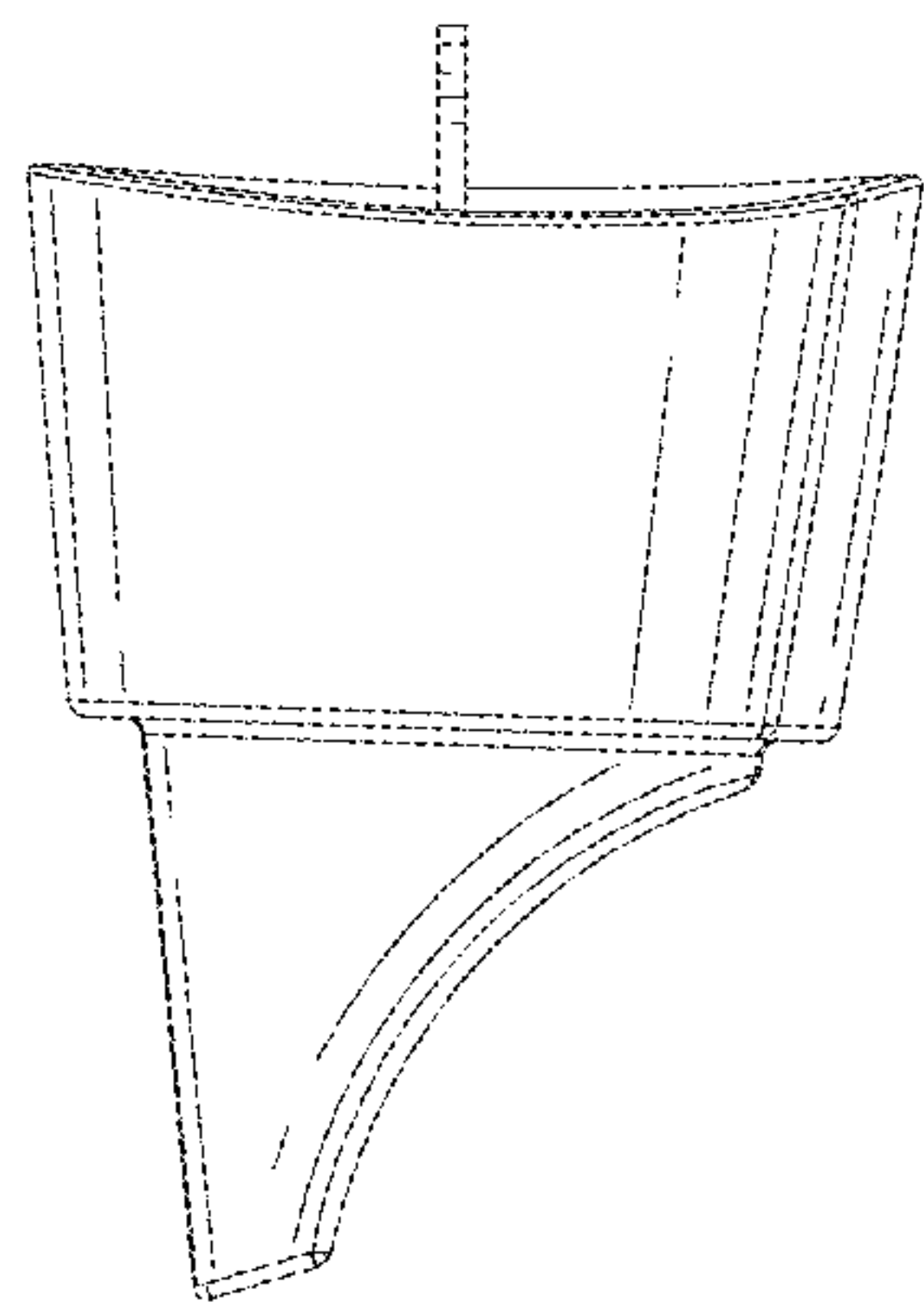


Fig. 9

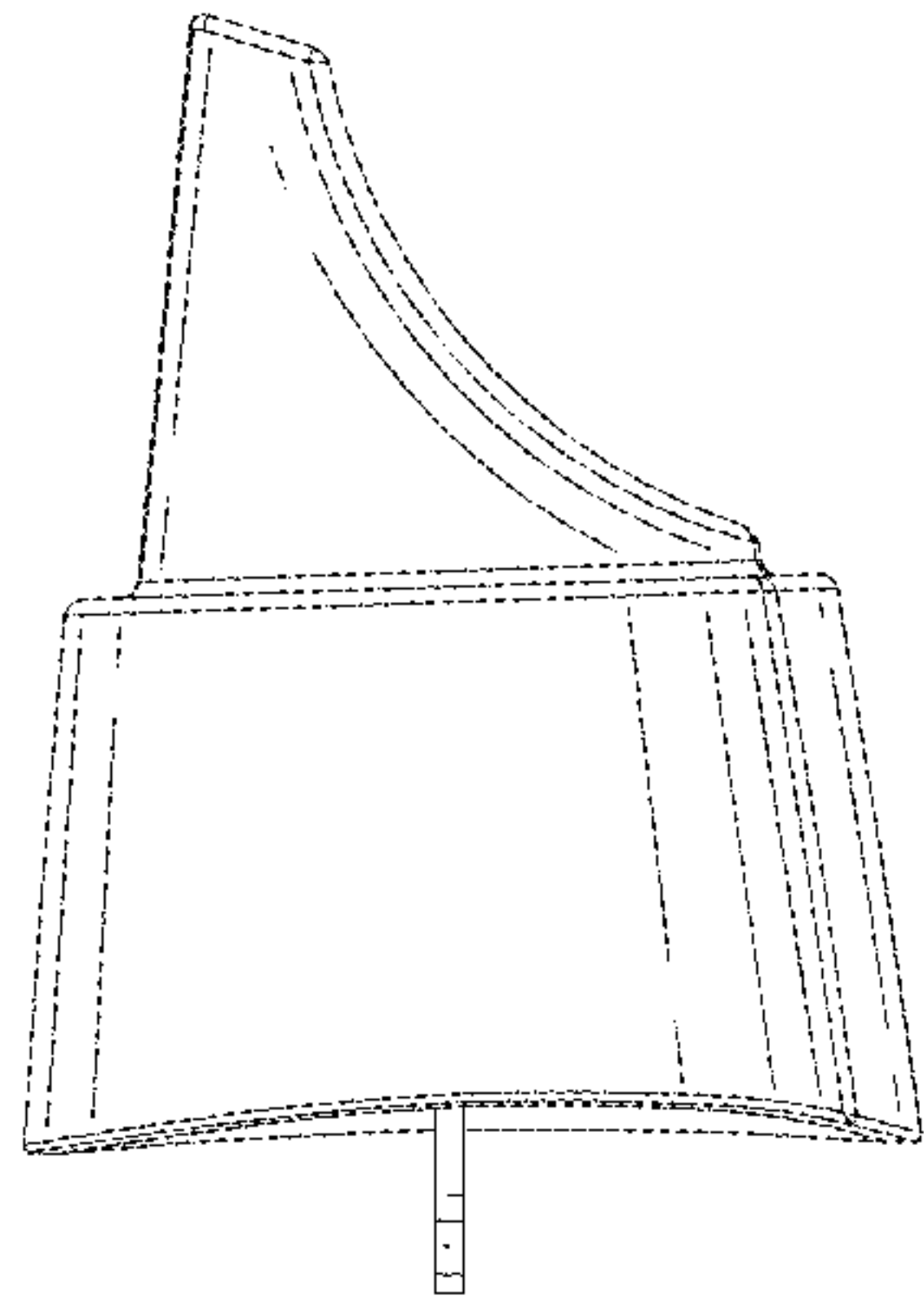


Fig. 10

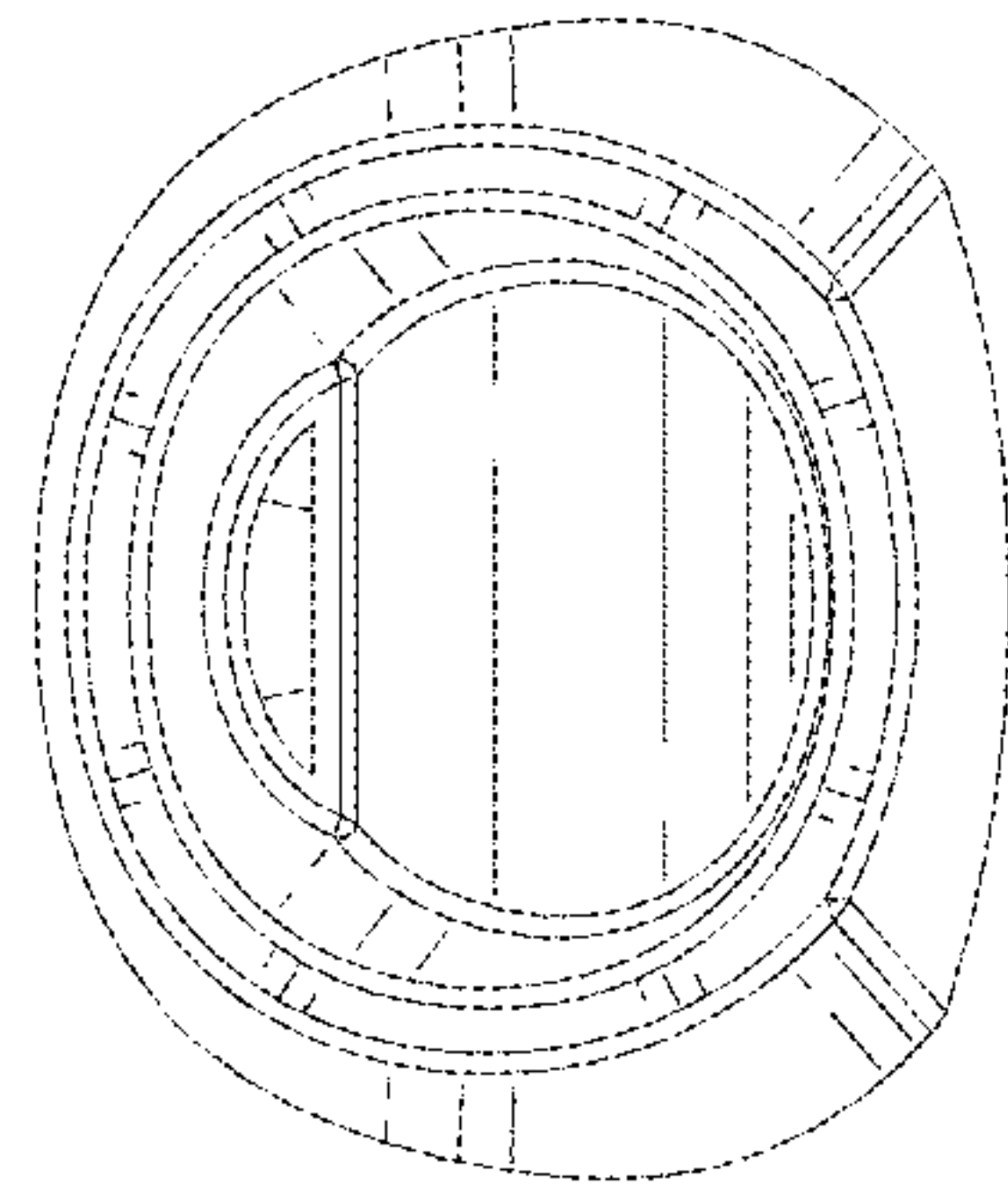


Fig. 11

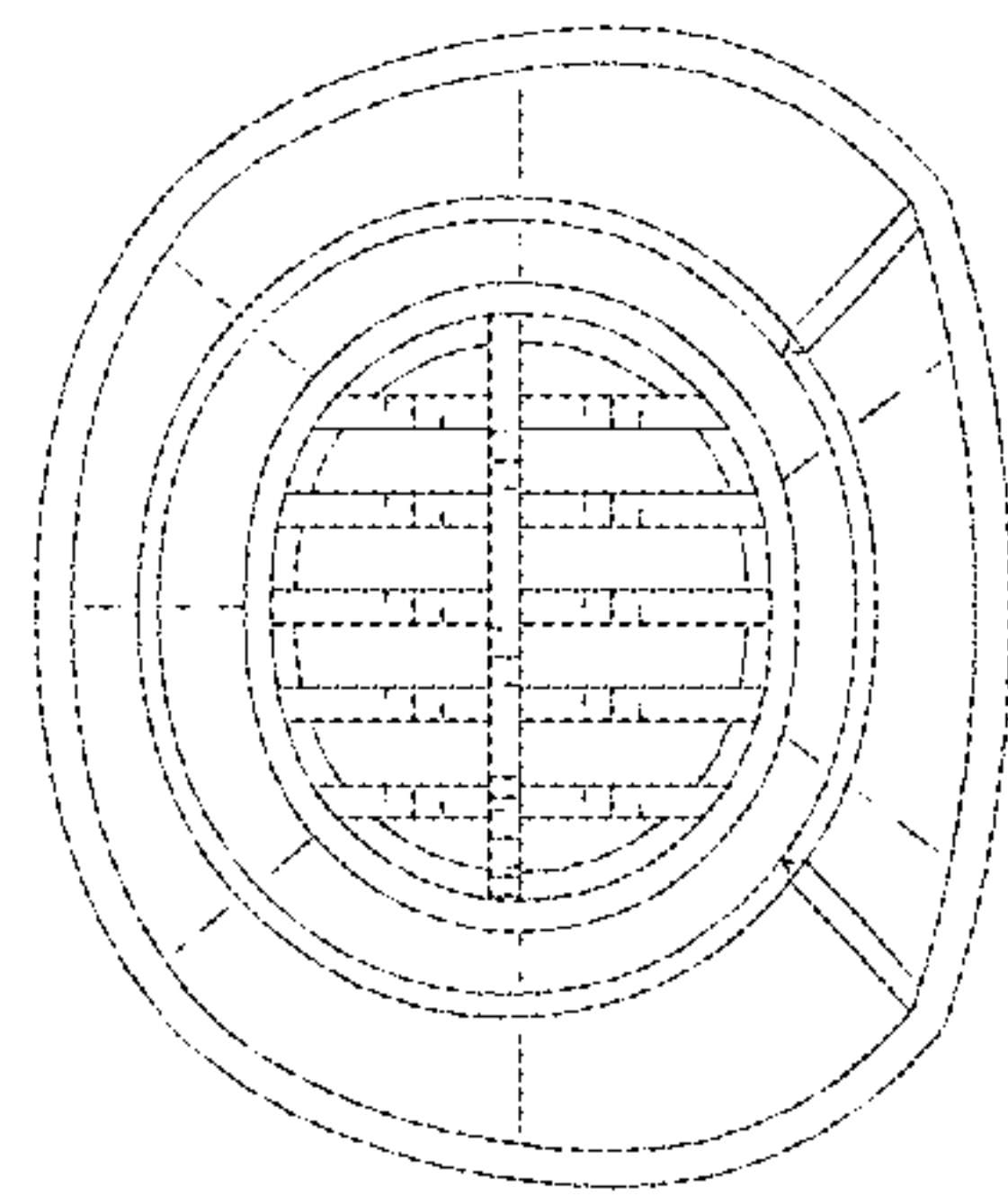


Fig.12

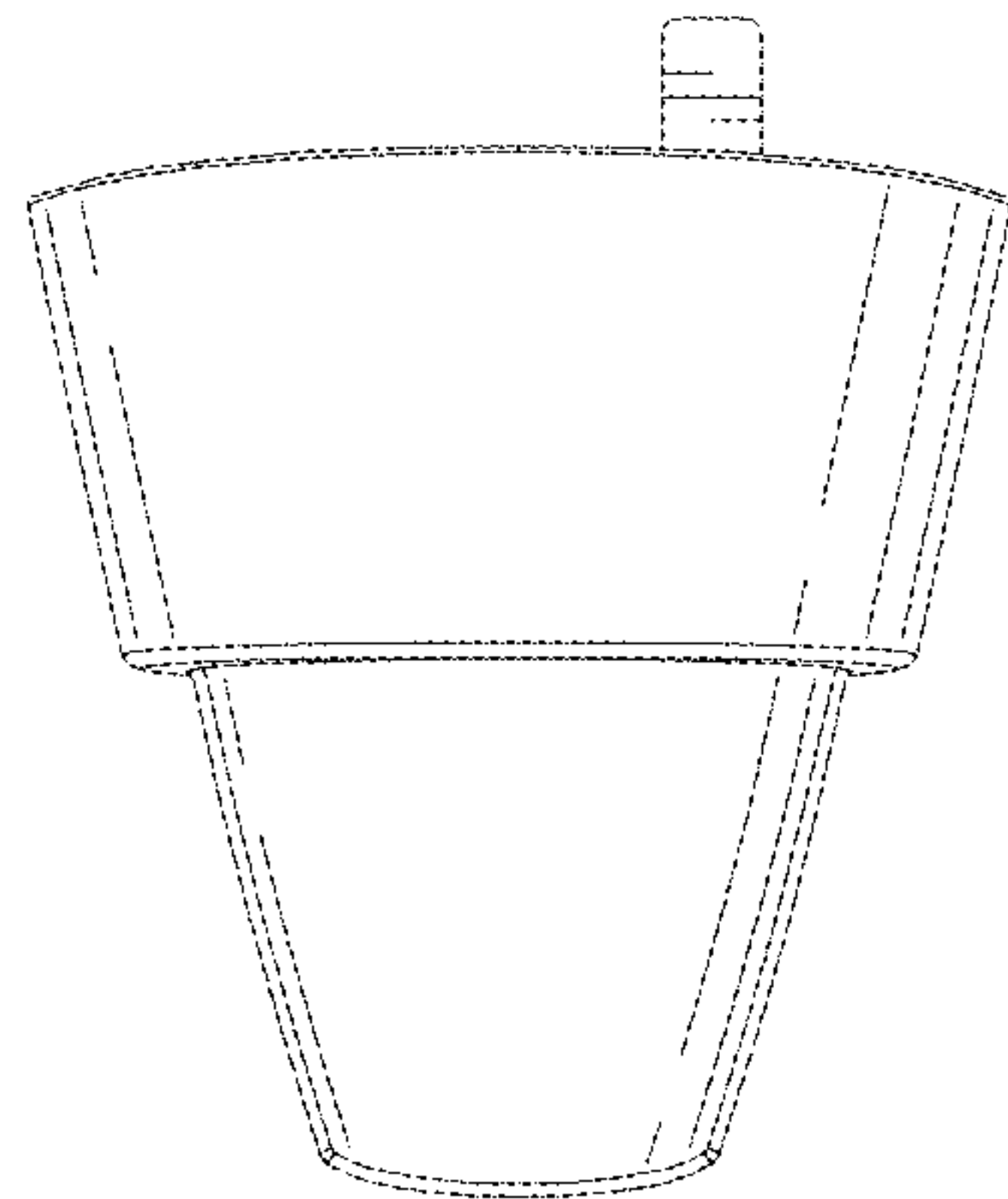


Fig. 13

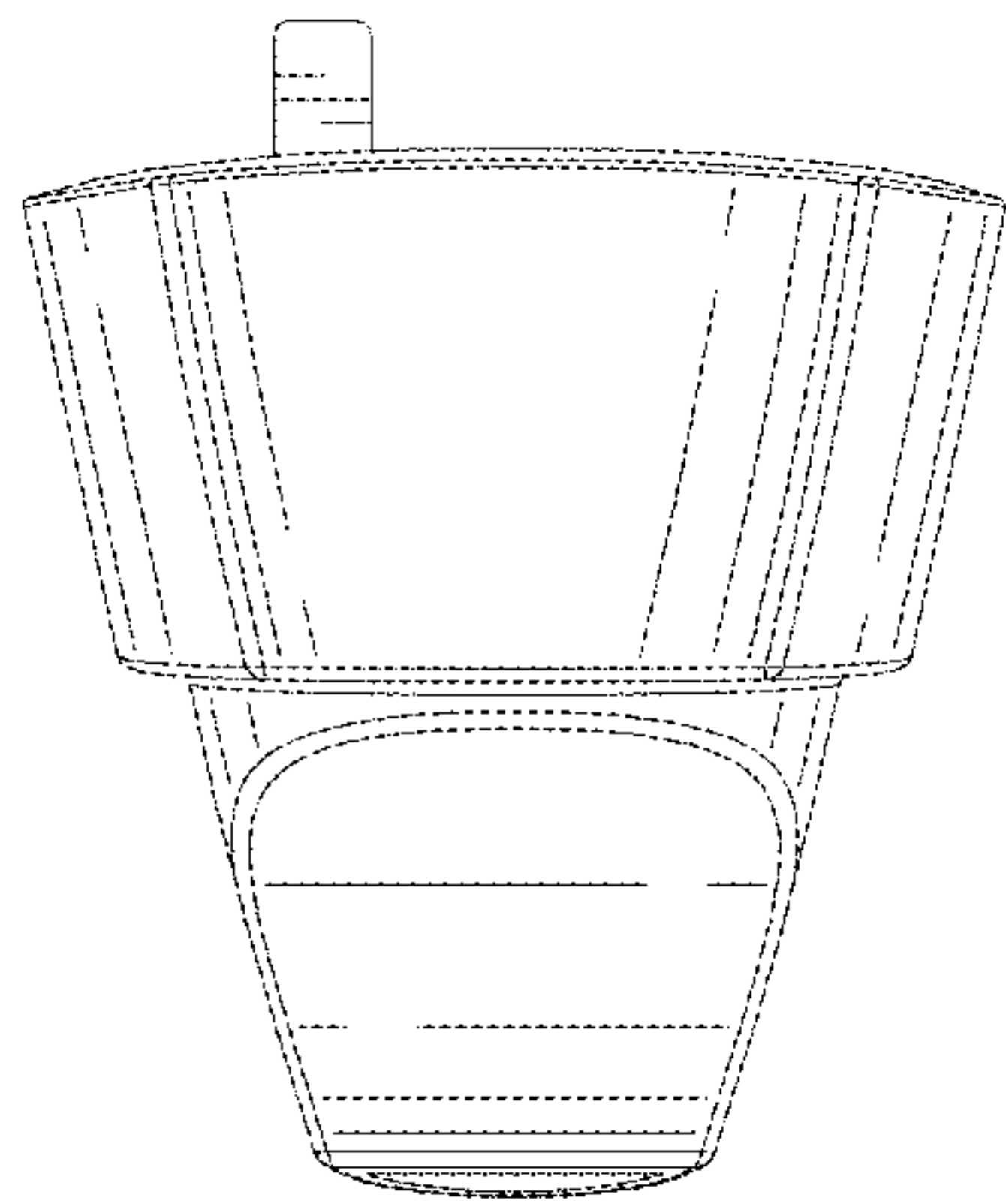


Fig. 14