



US00D822511S

(12) **United States Design Patent** (10) **Patent No.:** **US D822,511 S**
Ehrbar et al. (45) **Date of Patent:** **** Jul. 10, 2018**

| | | | |
|--|---------------|---------|---------------------------------------|
| (54) WEIGHING UTENSIL | 458,175 A | 8/1891 | Larkins |
| | 542,248 A | 7/1895 | Gaudron |
| (71) Applicant: Mettler-Toledo GmbH , Greifensee (CH) | 1,660,442 A | 2/1928 | Hampton |
| | 2,739,464 A | 3/1956 | Smith |
| | 2,794,457 A * | 6/1957 | Nicodemus A47F 13/08 141/344 |
| (72) Inventors: Sandra Ehrbar , Gutenswil (CH); Alice Buchmann , Hinwil (CH); Michalis Meyer , Islisberg (CH) | D197,025 S * | 12/1963 | Marcus D10/46.2 |
| | 3,169,643 A * | 2/1965 | Roberts G04D 1/0021 141/286 |
| | 3,490,501 A | 1/1970 | Manem et al. |
| (73) Assignee: METTLER-TOLEDO GMBH , Greifensee (CH) | 1,046,881 A | 12/1972 | Smith |
| | 3,985,346 A * | 10/1976 | Merz A47J 43/27 366/130 |

(**) Term: **15 Years**

(Continued)

(21) Appl. No.: **29/600,279**

FOREIGN PATENT DOCUMENTS

(22) Filed: **Apr. 11, 2017**

| | | |
|----|-------------|--------|
| CN | 2548993 Y | 5/2003 |
| CN | 201553131 U | 8/2010 |

Related U.S. Application Data

Primary Examiner — Prabhakar G Deshmukh

(63) Continuation of application No. 13/923,766, filed on Jun. 21, 2013, now abandoned.

(74) *Attorney, Agent, or Firm* — Standley Law Group LLP

(51) **LOC (11) Cl.** **10-04**

(57) **CLAIM**

(52) **U.S. Cl.**
USPC **D10/46.2**

The ornamental design for a weighing utensil, as shown and described.

(58) **Field of Classification Search**
USPC D10/46.2, 46.3, 52, 60, 66, 103; D7/368, D7/387, 397, 400, 669, 700, 691; D23/262; 141/108, 109, 297-300, 141/331-345; 100/104, 110, 295; 220/665; 222/566, 562, 205
CPC B65D 39/00; B65D 41/58; B65D 47/06; B47D 47/068; B65B 39/00; B65B 1/04; F16N 31/00

DESCRIPTION

See application file for complete search history.

FIG. 1 is a top front perspective view of the weighing utensil;
FIG. 2 is a right side elevation view thereof, the left side elevation view being a mirror image thereof;
FIG. 3 is a top plan view thereof;
FIG. 4 is a bottom plan view thereof;
FIG. 5 is a rear elevation view thereof;
FIG. 6 is a front elevation view thereof; and,
FIG. 7 is a side elevational view of a graduated flask with the weighing utensil inserted in a neck thereof, for environmental purposes.

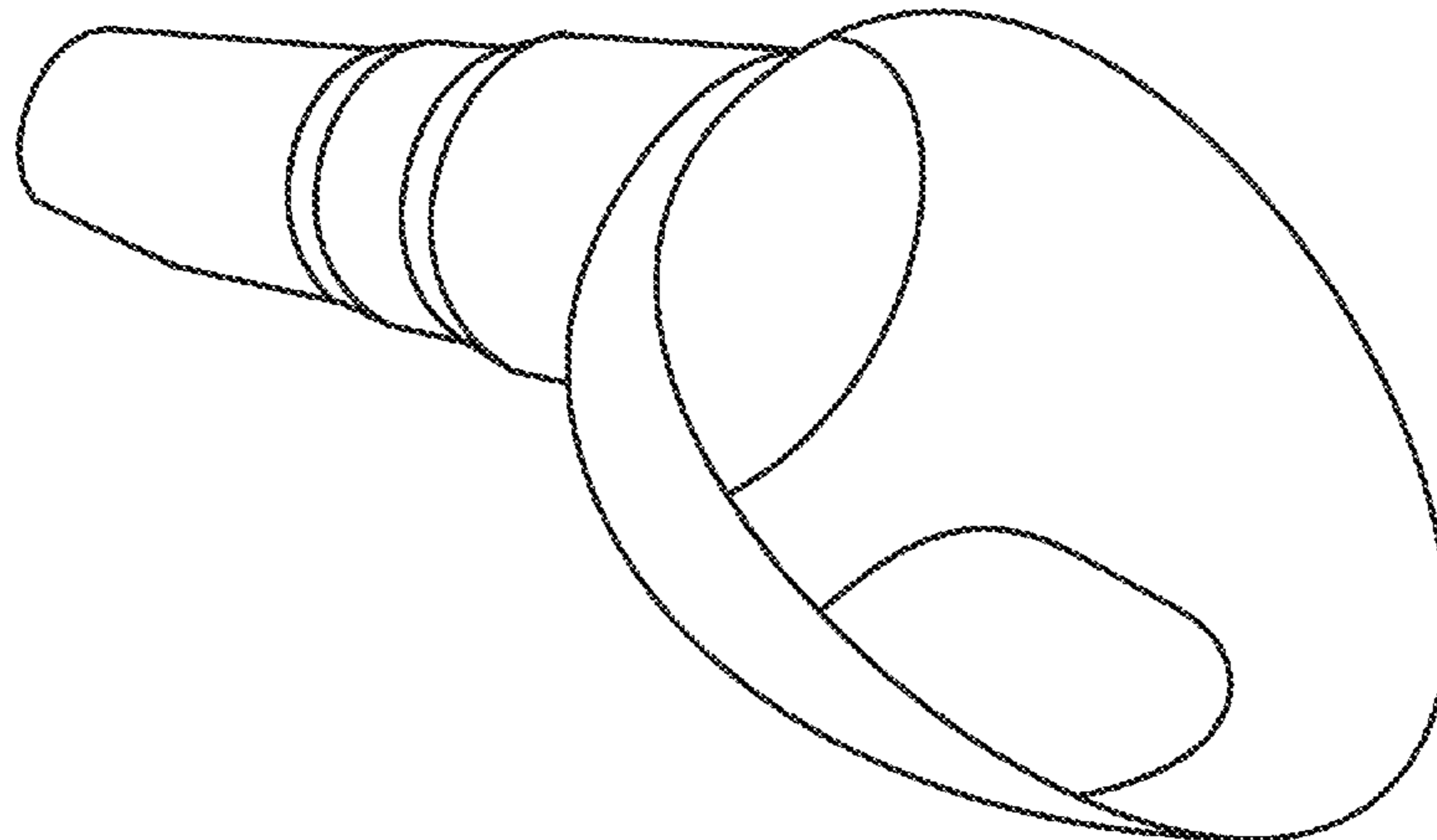
The broken lines in FIG. 7 illustrate environment and forms no part of the claimed design.

(56) **References Cited**

U.S. PATENT DOCUMENTS

| | | |
|-----------|---------|---------|
| 117,723 A | 8/1871 | Baker |
| 142,917 A | 9/1873 | Johnson |
| 172,341 A | 1/1876 | Pfeifer |
| 220,576 A | 10/1879 | Chilis |

1 Claim, 3 Drawing Sheets



(56)

References Cited

U.S. PATENT DOCUMENTS

| | | | | |
|--------------|------|---------|-------------------|----------------------|
| D244,504 | S * | 5/1977 | Merz | D10/46.2 |
| 4,332,282 | A | 6/1982 | Strange | |
| D267,118 | S * | 11/1982 | Burnett | D23/200 |
| D276,555 | S * | 11/1984 | Noble | D10/46.2 |
| D284,894 | S * | 7/1986 | Poore | D10/46.2 |
| 5,092,471 | A | 3/1992 | Pinizzotto et al. | |
| 5,285,824 | A | 2/1994 | Krstovic | |
| D415,662 | S | 10/1999 | Schneider | |
| 6,179,022 | B1 | 1/2001 | Schneider et al. | |
| 6,223,793 | B1 * | 5/2001 | Donoughe | B60S 1/50 141/331 |
| 6,837,283 | B1 | 1/2005 | Wegner | |
| D541,116 | S * | 4/2007 | Upham | D7/700 |
| D554,166 | S | 10/2007 | LaFollette | |
| D555,439 | S * | 11/2007 | Fletcher | D15/150 |
| D568,436 | S | 5/2008 | Schmitt | |
| D654,766 | S | 2/2012 | Vaders et al. | |
| D678,006 | S * | 3/2013 | Suess | D10/46.2 |
| D758,893 | S * | 6/2016 | Logue | D10/46.2 |
| 2011/0192491 | A1 | 8/2011 | Lüchinger et al. | |
| 2011/0204083 | A1 | 8/2011 | Meckstroth | |

* cited by examiner

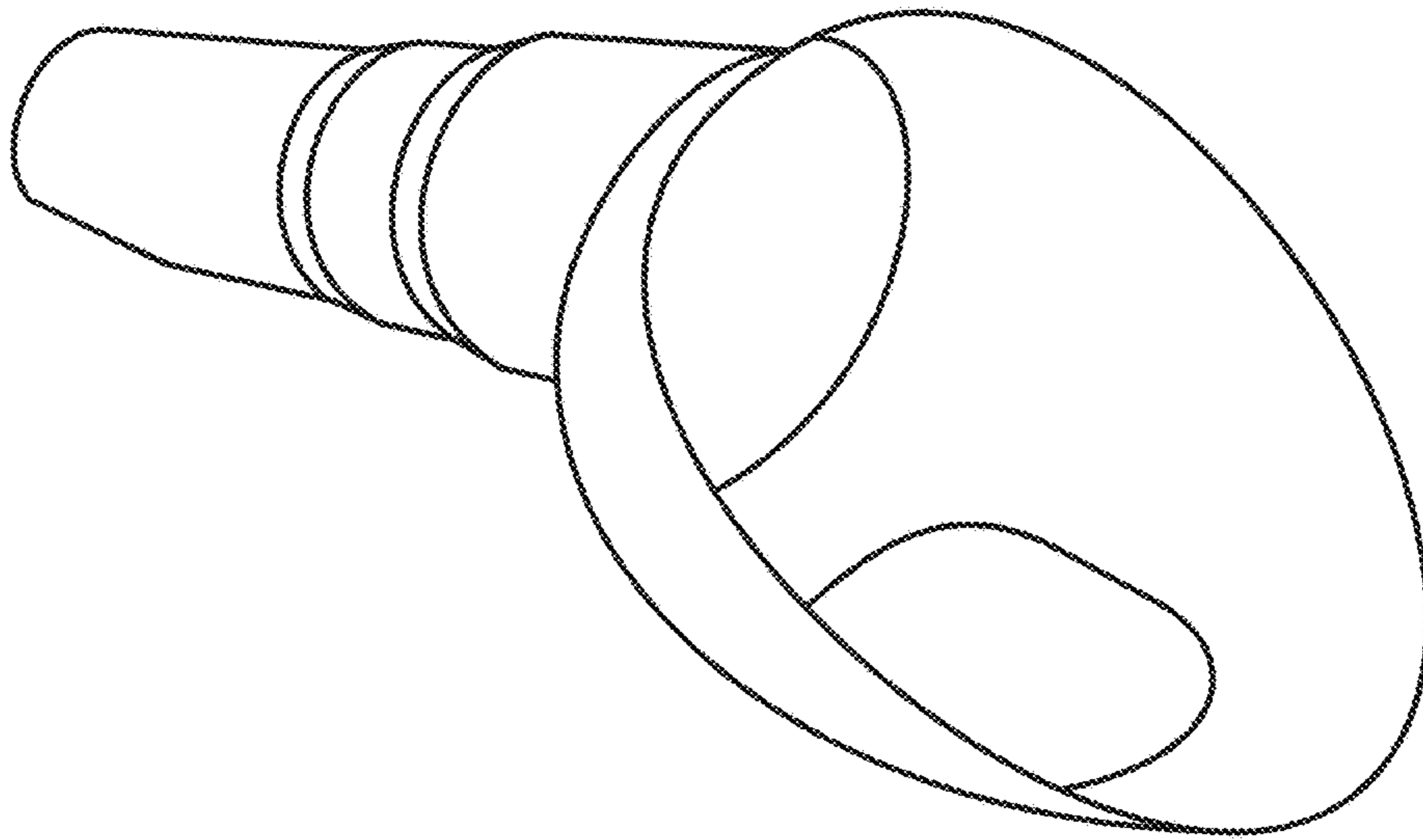


Fig. 1

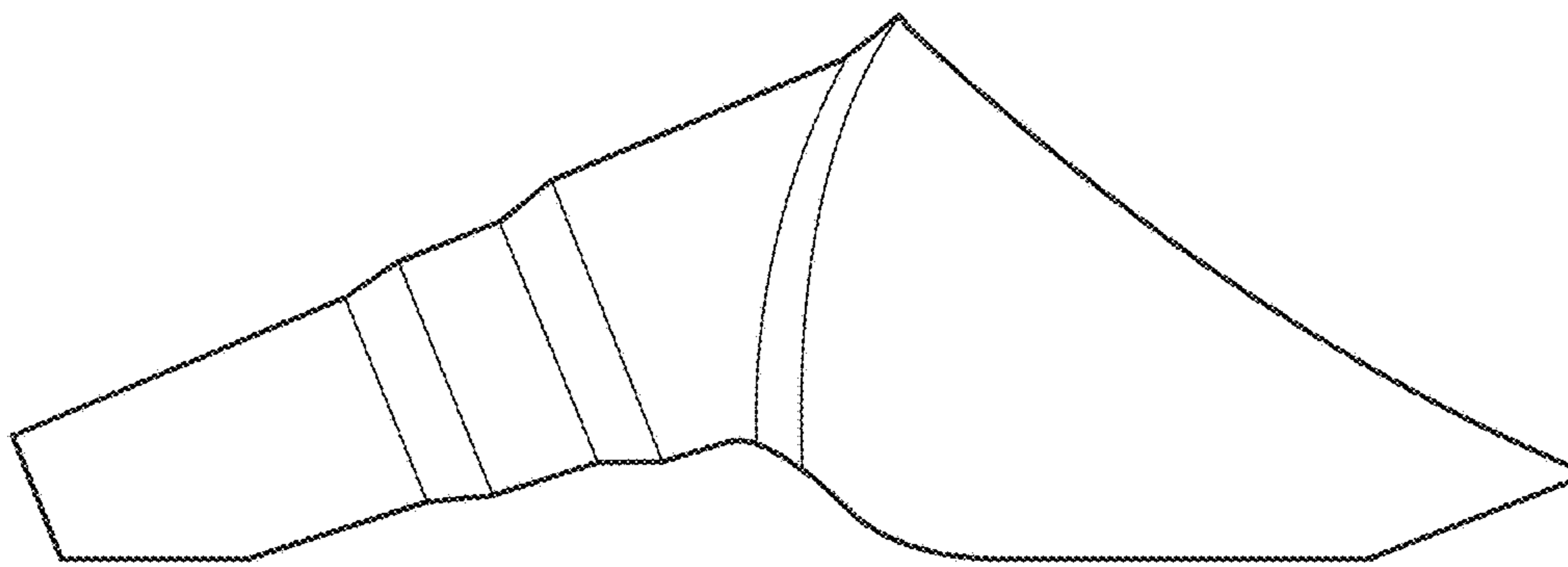


Fig. 2

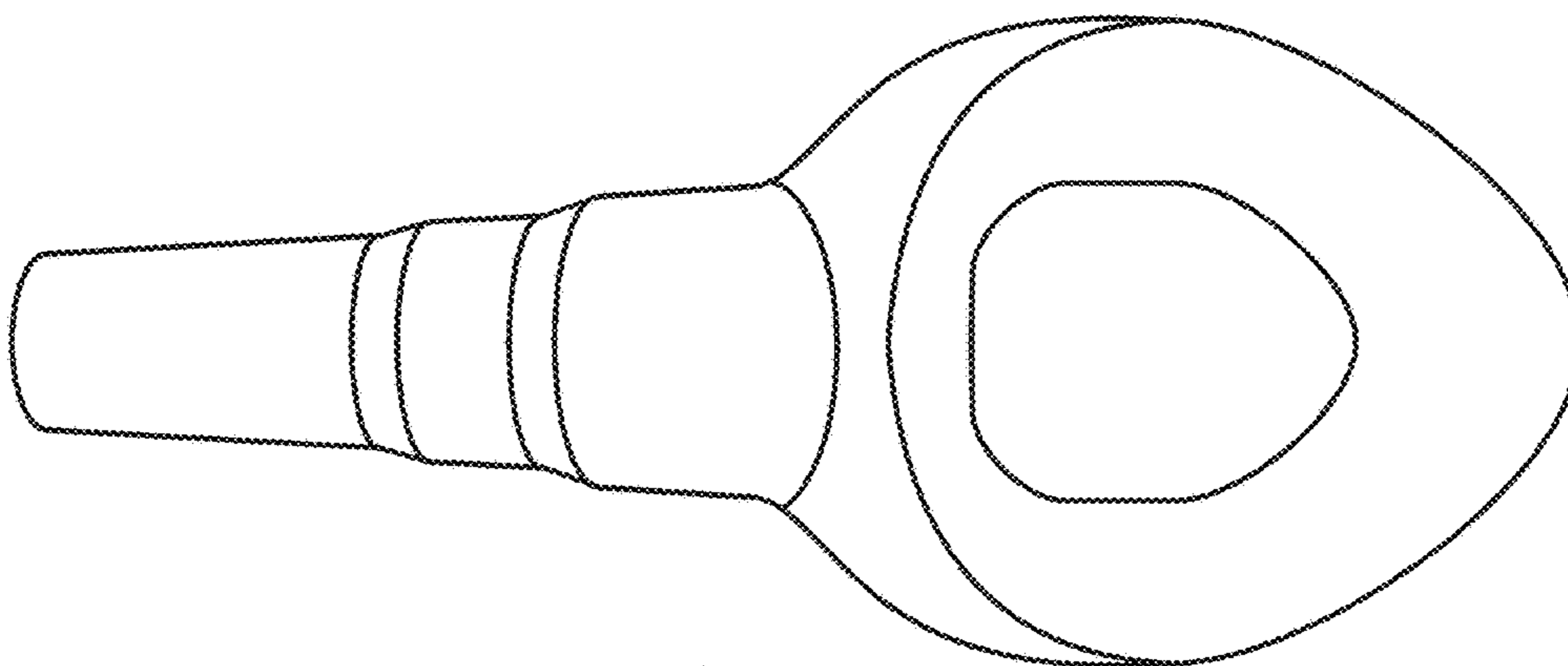


Fig. 3

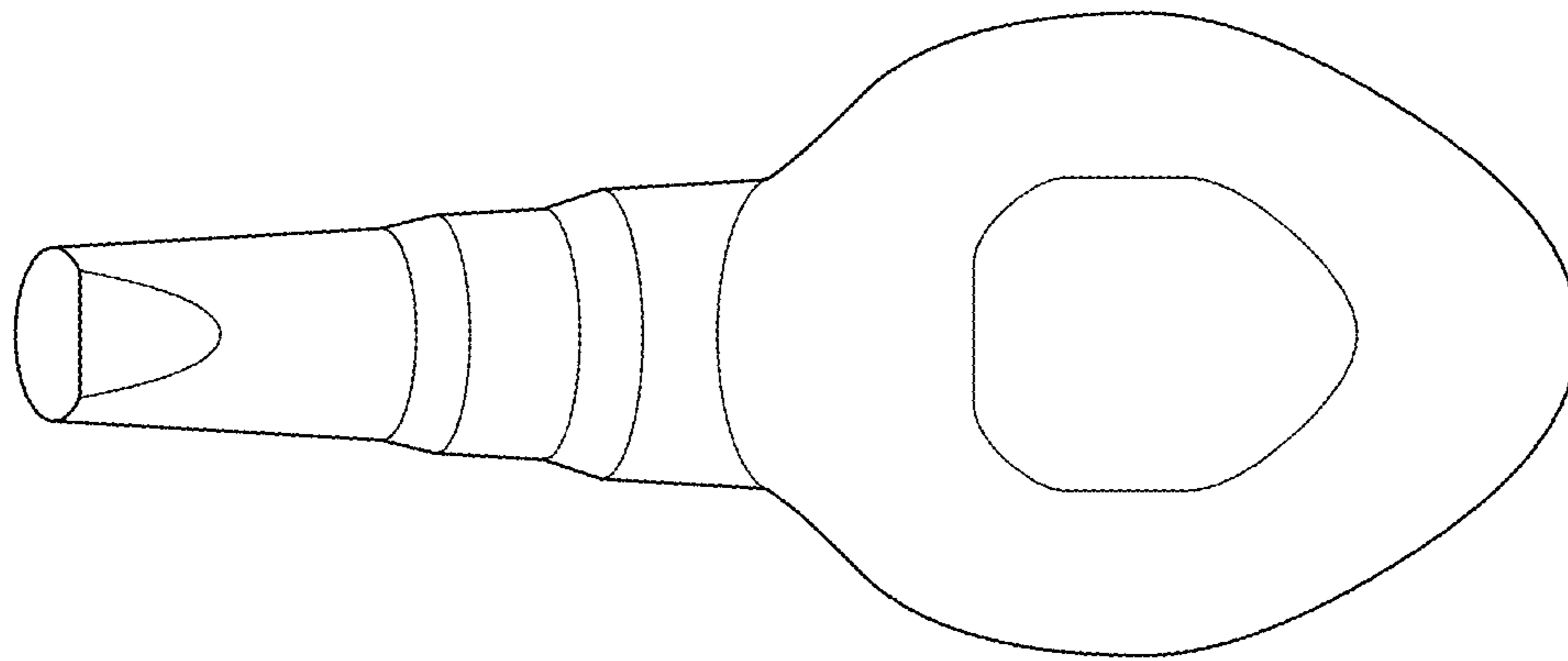


Fig. 4

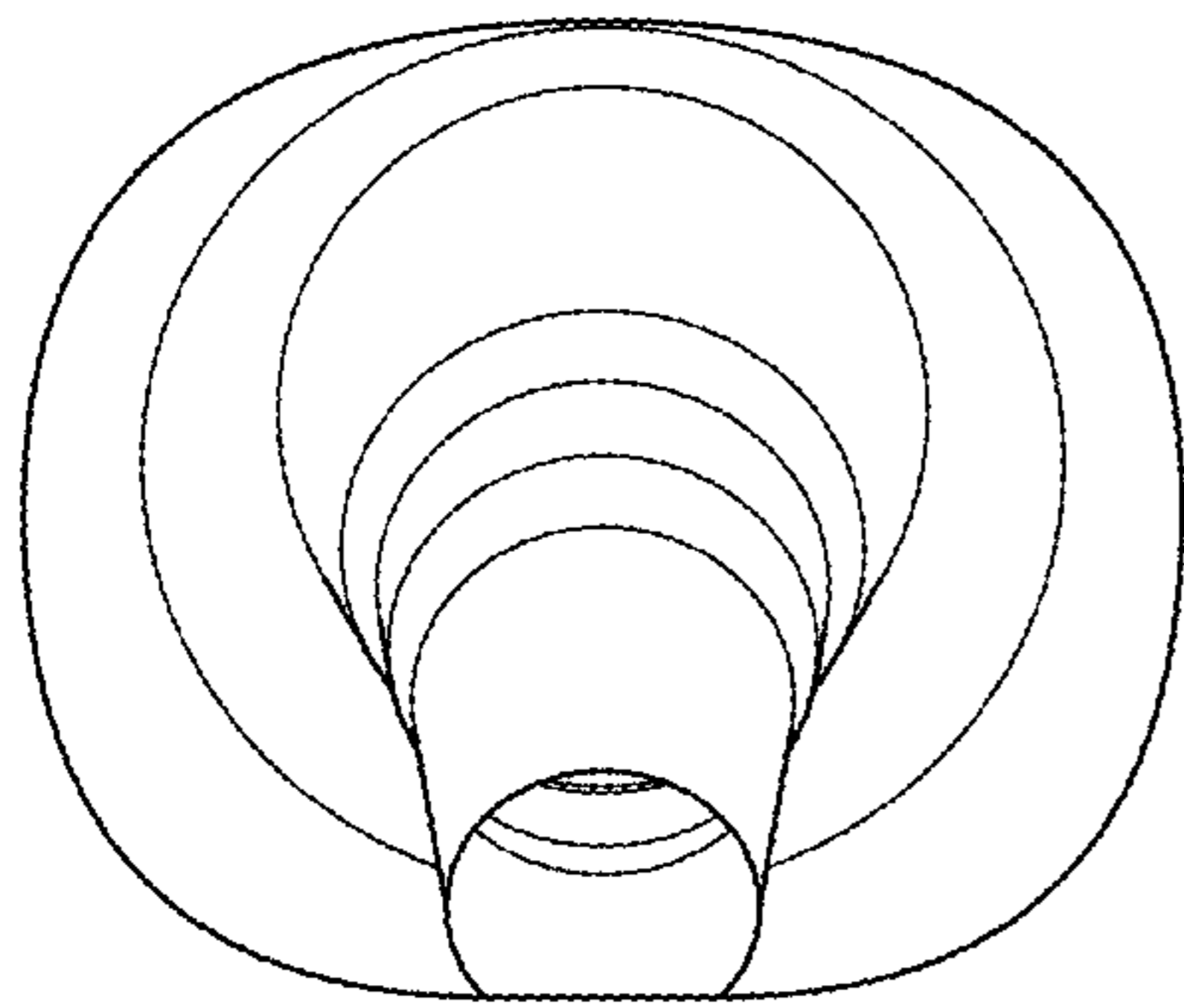


Fig. 5

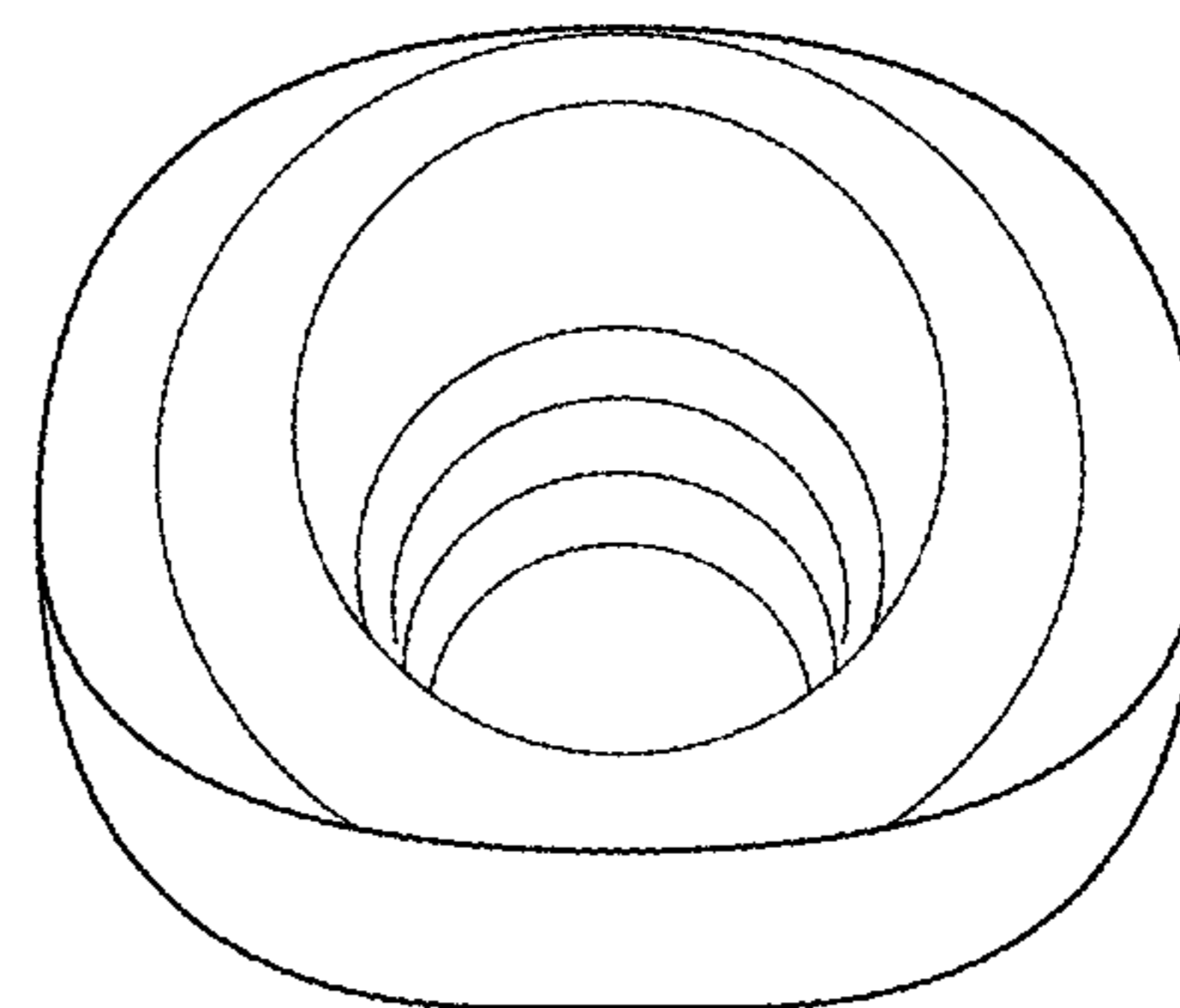


Fig. 6

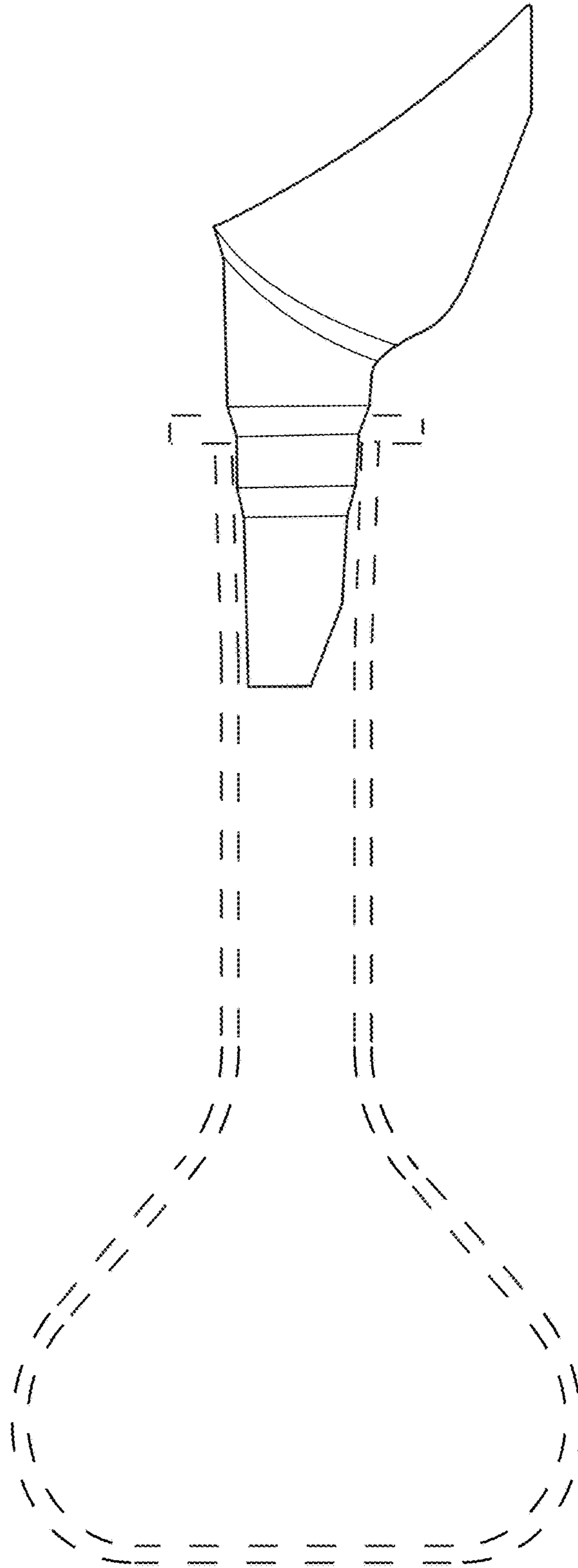


Fig. 7