



US00D822509S

(12) **United States Design Patent**
Monachon

(10) **Patent No.:** **US D822,509 S**

(45) **Date of Patent:** **** Jul. 10, 2018**

(54) **WATCHCASE**

D711,750 S * 8/2014 Monachon D10/39
D736,655 S * 8/2015 Monachon D10/126
D740,696 S * 10/2015 Monachon D10/126

(71) Applicant: **OMEGA LTD.**, Biel/Bienne (CH)

(72) Inventor: **Jean-Claude Monachon**, Bevaix (CH)

(73) Assignee: **OMEGA LTD**, Biel/Bienne (CH)

(**) Term: **15 Years**

(21) Appl. No.: **29/606,560**

(22) Filed: **Jun. 6, 2017**

(30) **Foreign Application Priority Data**

Dec. 6, 2016 (WO) DM/093 771

(51) **LOC (11) Cl.** **10-02**

(52) **U.S. Cl.**
USPC **D10/38**

(58) **Field of Classification Search**
USPC D10/1-29, 30, 31, 33, 34, 37, 38, 39,
D10/122, 123, 124, 126, 127; D11/1, 2,
D11/3

CPC G04B 3/04; G04B 3/048; G04B 19/00;
G04B 19/02; G04B 19/04; G04B 19/044;
G04B 19/048; G04B 19/06; G04B 19/10;
G04B 19/065; G04B 5/005; G04B 5/20;
G04B 19/08

See application file for complete search history.

(56) **References Cited**

U.S. PATENT DOCUMENTS

D601,044 S * 9/2009 Lalo D10/39
D706,144 S * 6/2014 Monachon D10/39

FOREIGN PATENT DOCUMENTS

CN 201330438986 * 9/2013

OTHER PUBLICATIONS

RGM Watch Co, Left-Handed RGM 151 Models Available, Jul. 27, 2015, [online], [site visited May 4, 2018]. Available from Internet, <URL: <http://www.rgmwatches.com/rgmblog/2015/7/27/left-handed-rgm-151-models-available>> (Year: 2015).*

* cited by examiner

Primary Examiner — Sheryl L Lane

Assistant Examiner — Samantha N Wood

(74) *Attorney, Agent, or Firm* — Abelman, Frayne & Schwab

(57) **CLAIM**

The ornamental design for a watchcase, as shown.

DESCRIPTION

FIG. 1 is a front left perspective view of a watchcase showing my new design;

FIG. 2 is a rear right perspective view thereof;

FIG. 3 is a front view thereof;

FIG. 4 is a rear view thereof;

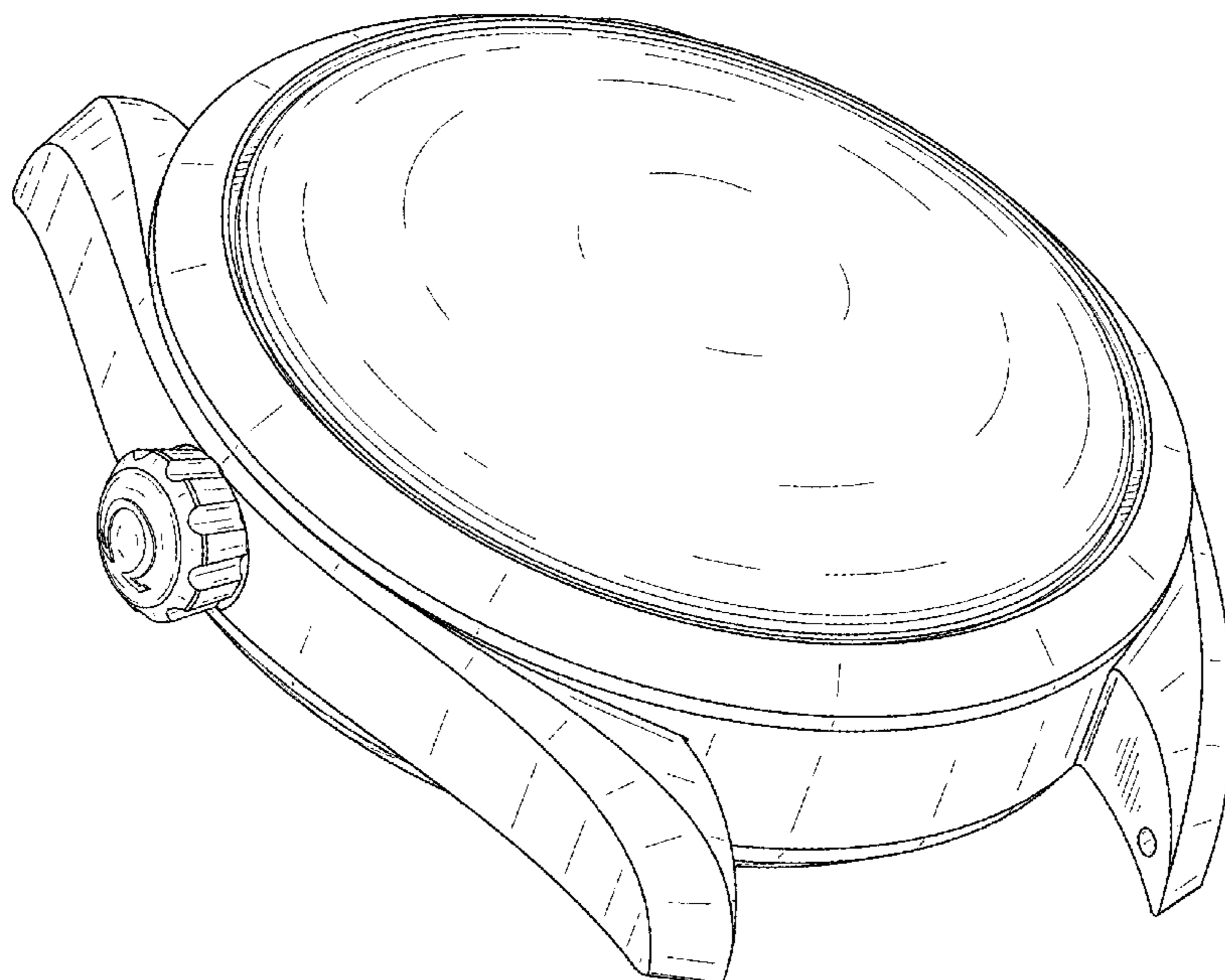
FIG. 5 is a left side view thereof;

FIG. 6 is a right side view thereof;

FIG. 7 is a bottom view thereof; and,

FIG. 8 is a top view thereof.

1 Claim, 6 Drawing Sheets



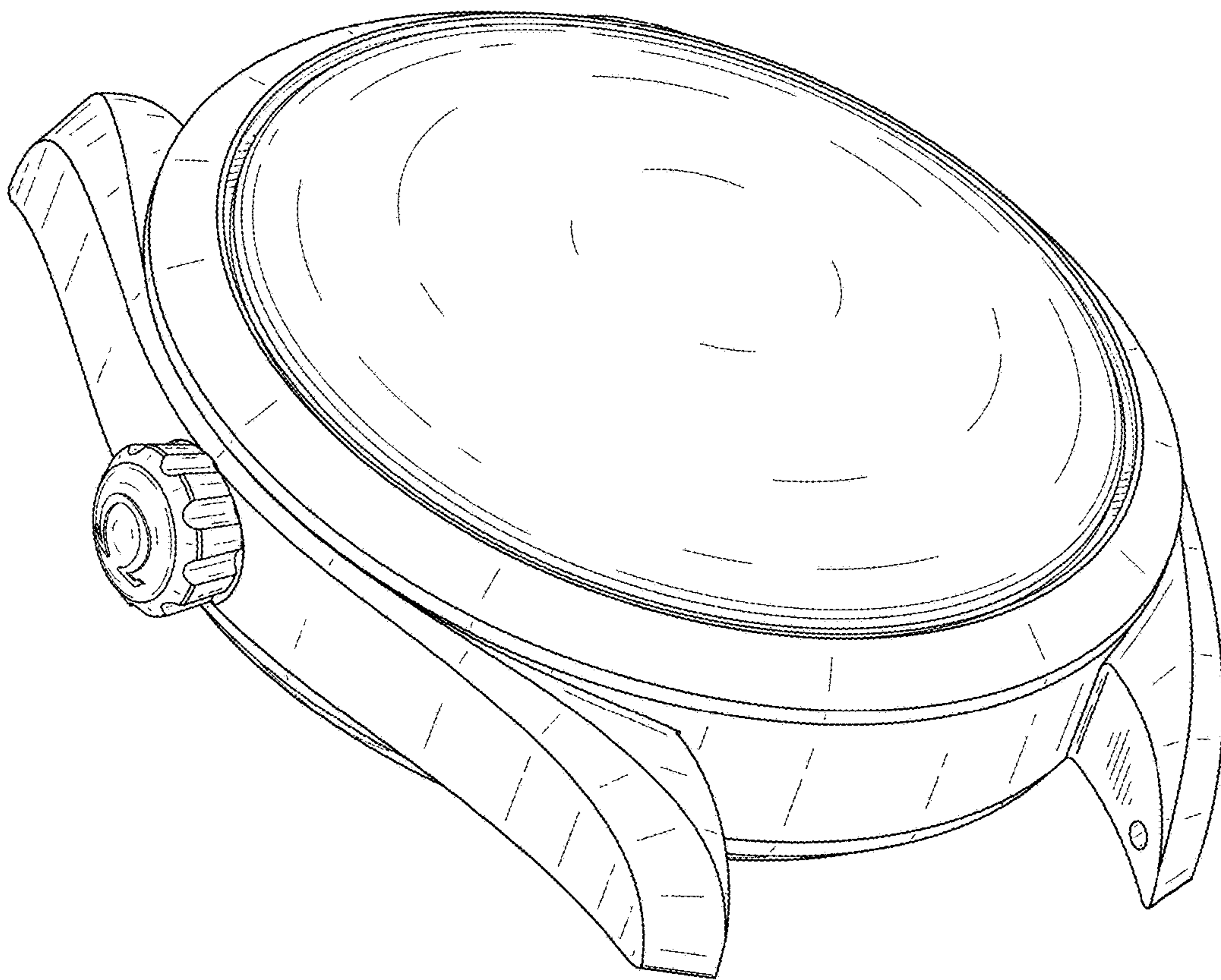


FIG. 1

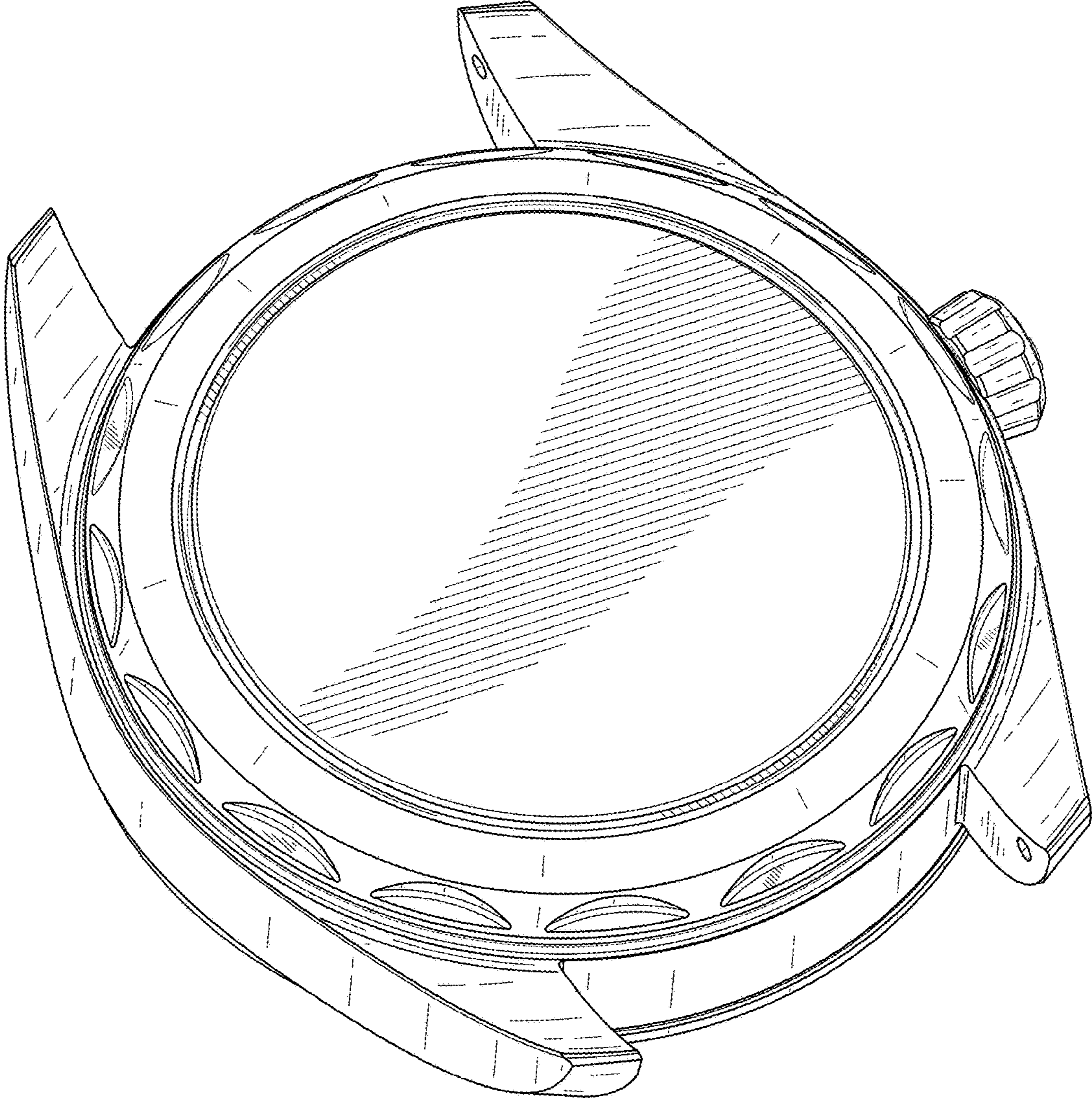


FIG. 2

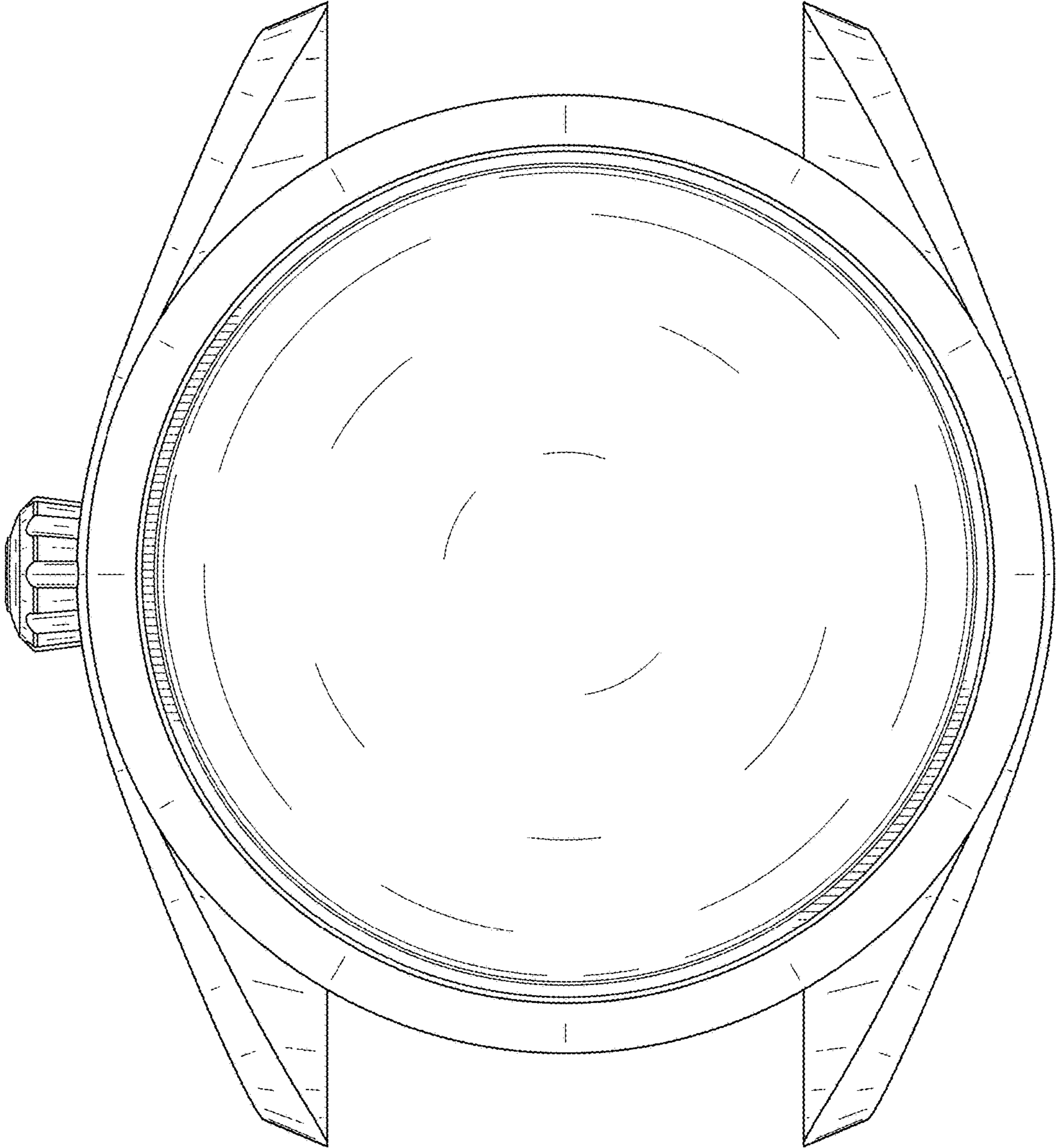


FIG. 3

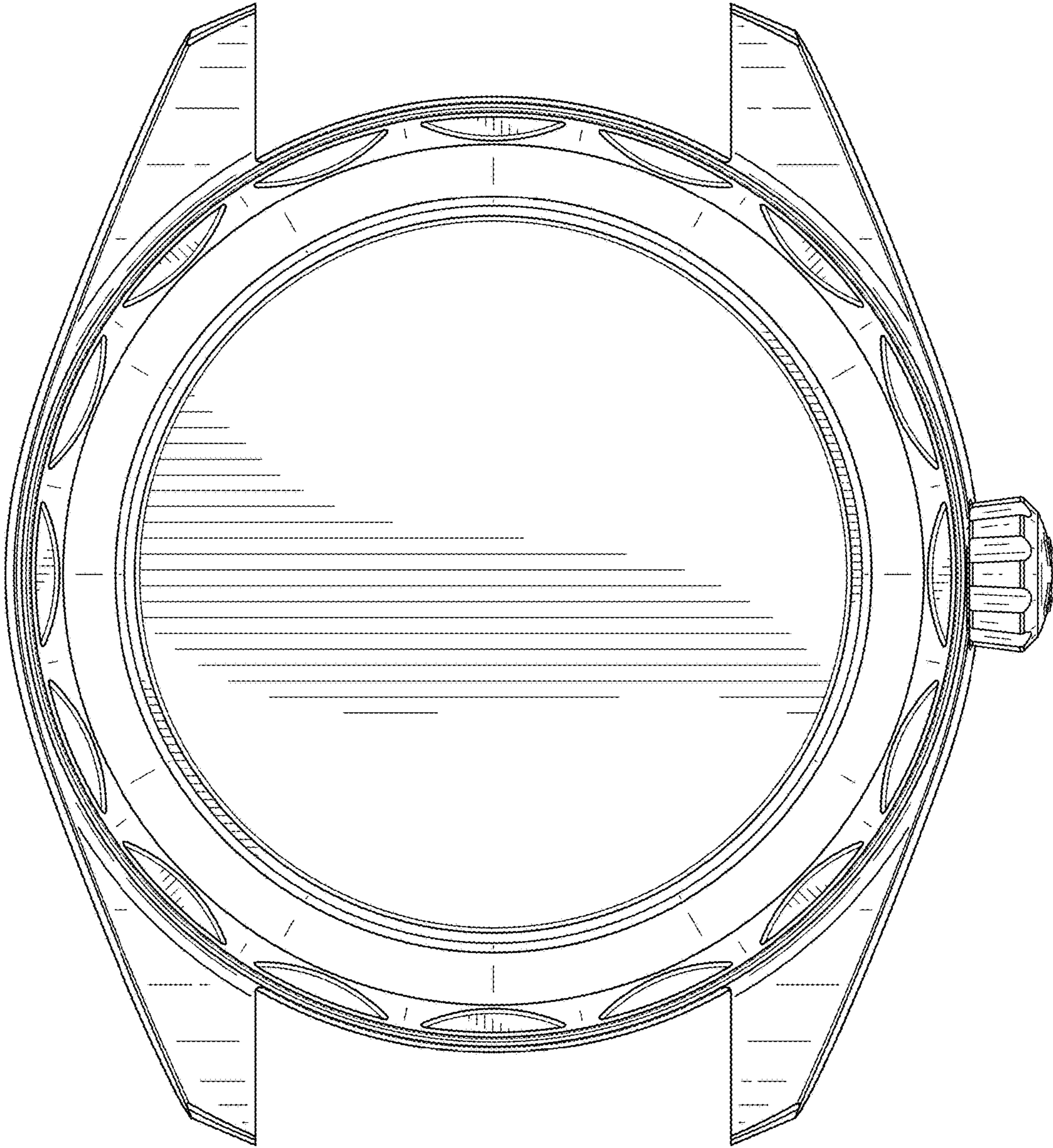


FIG. 4

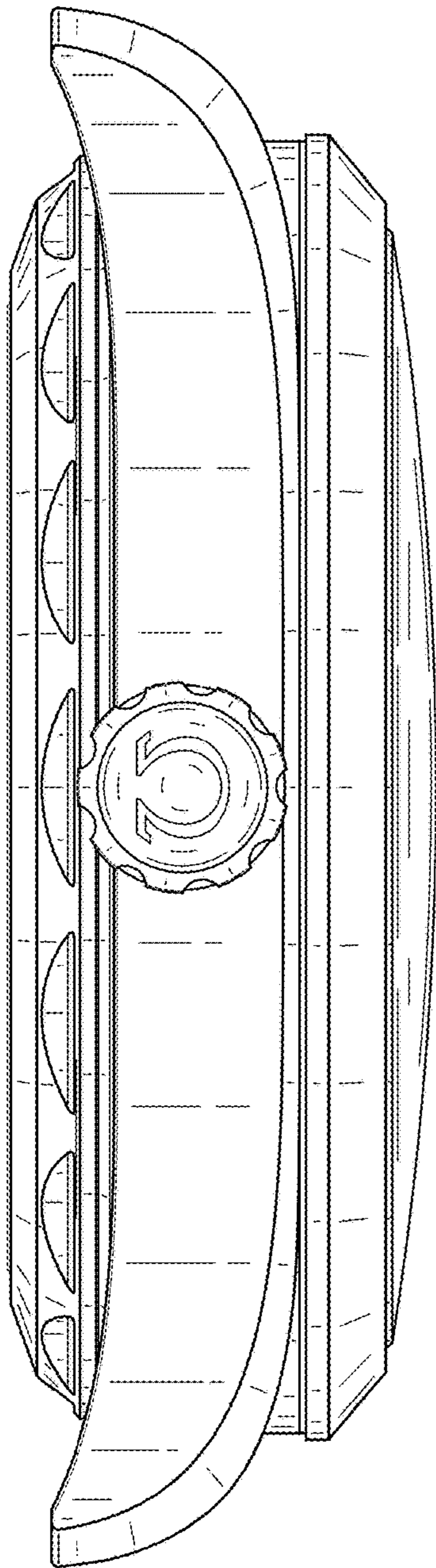


FIG. 5

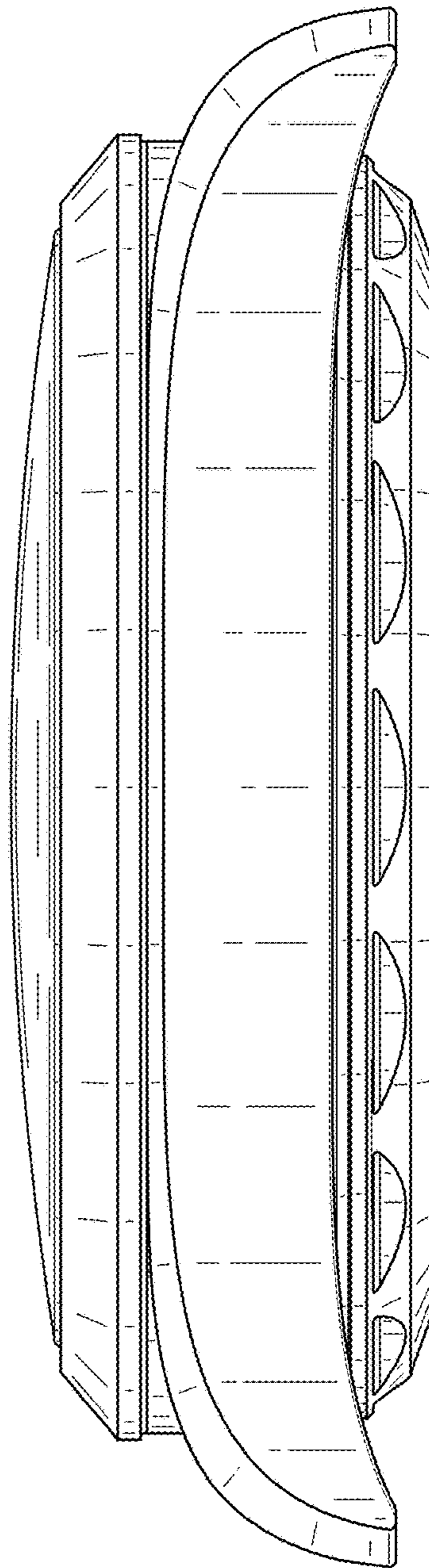


FIG. 6

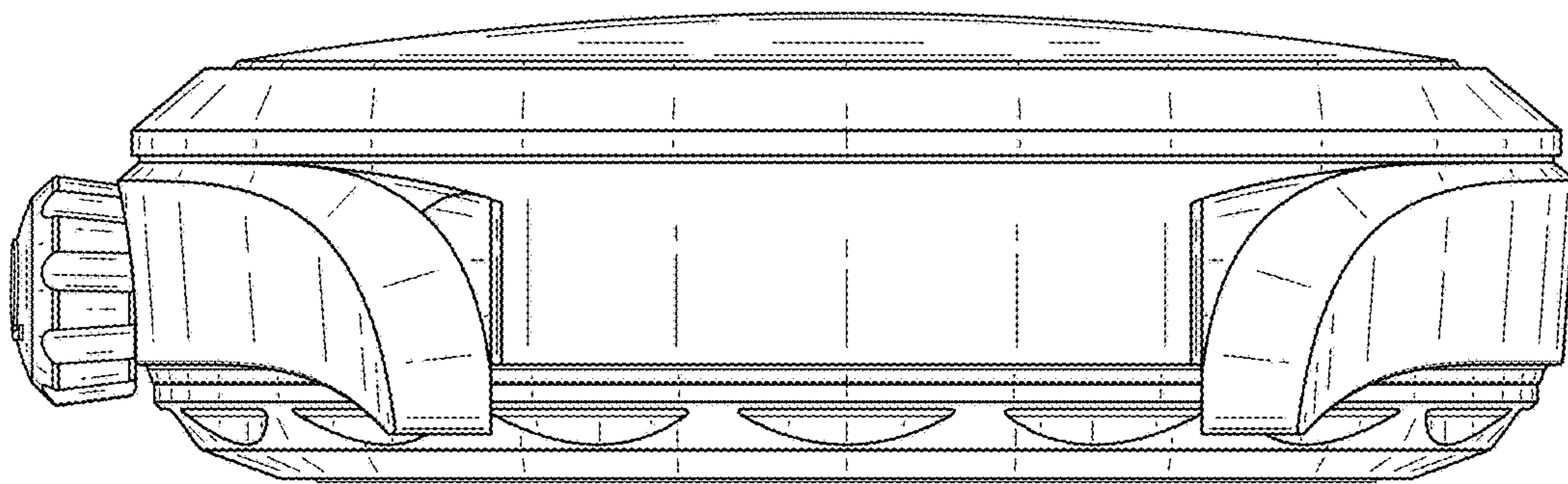


FIG. 7

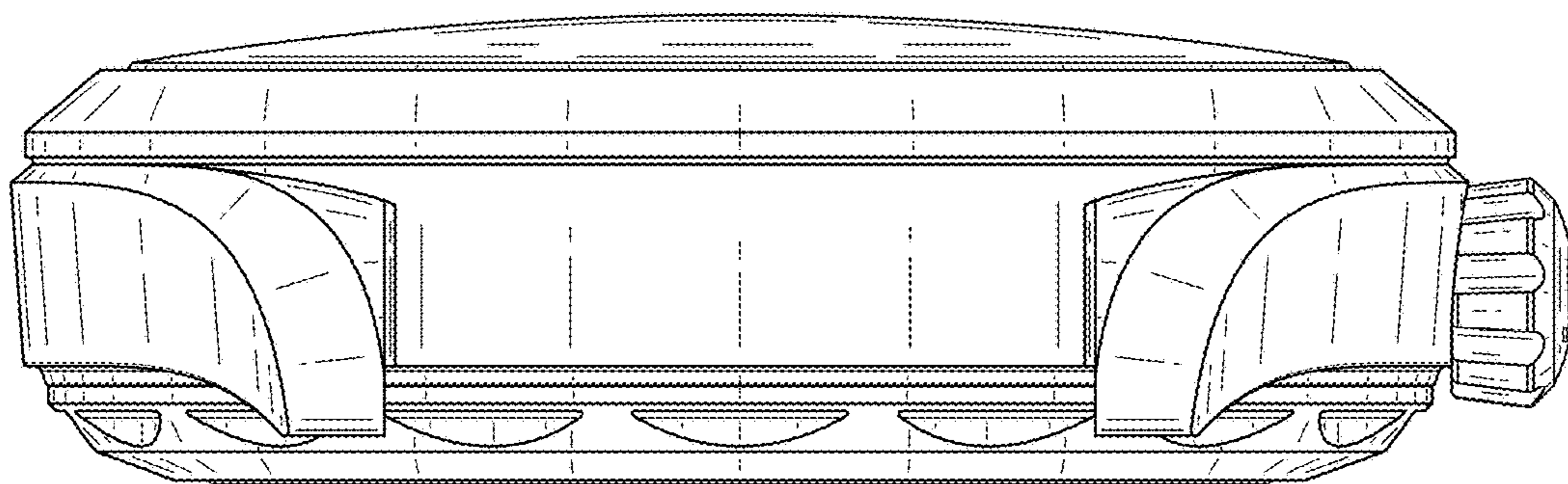


FIG. 8