



US00D822508S

(12) **United States Design Patent** (10) **Patent No.:** **US D822,508 S**
Tonohori (45) **Date of Patent:** **** Jul. 10, 2018**

(54) **WATCHCASE**
(71) Applicant: **CITIZEN WATCH CO., LTD.**, Tokyo (JP)
(72) Inventor: **Ryuji Tonohori**, Nishitokyo (JP)
(73) Assignee: **CITIZEN WATCH CO., LTD.**, Tokyo (JP)

(**) Term: **15 Years**
(21) Appl. No.: **29/597,481**

(22) Filed: **Mar. 17, 2017**

(51) **LOC (11) Cl.** **10-02**

(52) **U.S. Cl.**
USPC **D10/38**

(58) **Field of Classification Search**
USPC D10/1, 4, 6, 15, 30-39, 41, 44-45, D10/122-126, 131-132; D14/344
CPC G04B 19/00; G04B 19/025; G04B 19/04; G04B 19/046; G04B 19/048; G04B 19/06; G04B 19/08; G04B 19/085; G04B 19/087; G04B 19/10; G04B 19/103; G04B 19/106; G04B 47/042; G04B 47/04; G04B 19/11; G04B 19/16; G04B 19/166; G04B 19/18; G04B 19/22; G04B 19/223; G04B 19/24; G04B 19/30; G04B 37/00; G04B 37/0008; G04B 37/02; G04B 37/04; G04B 37/12; G04B 39/002; G04B 39/006; G04B 39/008; G04B 45/0069; G04B 45/0076; G04B 45/04; G04B 45/00

See application file for complete search history.

(56) **References Cited**

U.S. PATENT DOCUMENTS

4,120,149 A * 10/1978 Ripley G04B 37/106 368/294
D268,168 S * 3/1983 Schneider D10/30

4,982,388 A * 1/1991 Erard G04B 19/065 368/223
D315,104 S * 3/1991 Sugano D10/30
D469,363 S * 1/2003 Mittersinker D10/39
D470,061 S * 2/2003 Mittersinker D10/39
D632,593 S * 2/2011 Nunes D10/39
D658,510 S * 5/2012 Wai Kei D10/32
D667,316 S * 9/2012 Tonohori D10/32
D668,162 S * 10/2012 Inoue D10/39
D668,557 S * 10/2012 Goto D10/32
D684,485 S * 6/2013 Padron D10/39
D684,486 S * 6/2013 Messmer D10/39
D732,981 S 6/2015 Waecker
D732,985 S * 6/2015 Cerrato D10/39
D739,269 S * 9/2015 Fazio D10/129
D768,526 S * 10/2016 Cerrato D10/126
D771,505 S * 11/2016 Cerrato D10/30

(Continued)

FOREIGN PATENT DOCUMENTS

JP 2008203134 A * 9/2008

Primary Examiner — Sandra S Snapp
Assistant Examiner — Katherine Glennon
(74) *Attorney, Agent, or Firm* — RatnerPrestia

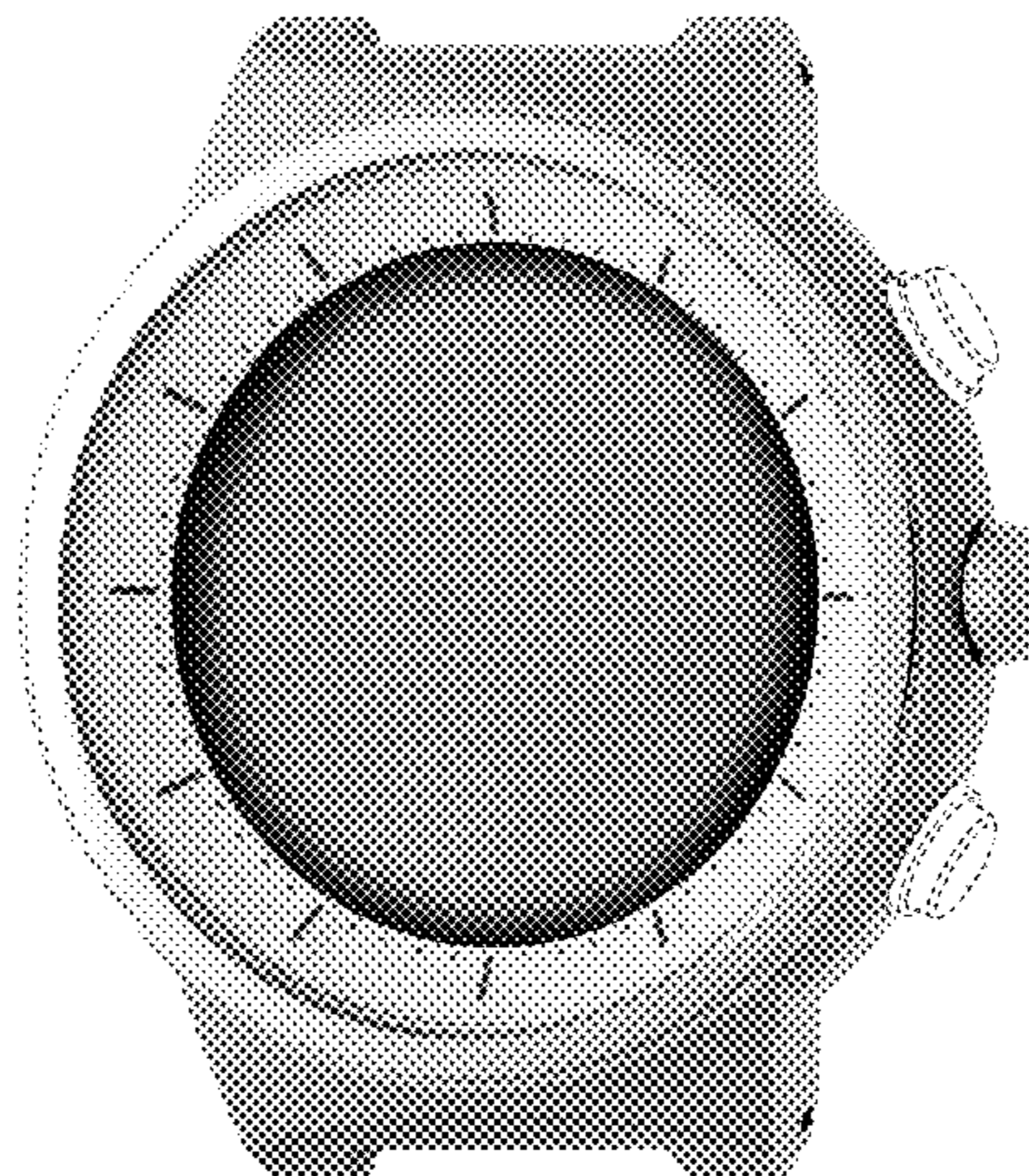
(57) **CLAIM**

The ornamental design for a watchcase, as shown and described.

DESCRIPTION

FIG. 1 is an enlarged perspective view of a watchcase showing my new design;
FIG. 2 is a front elevational view thereof;
FIG. 3 is a left side elevational view thereof;
FIG. 4 is a right side elevational view thereof;
FIG. 5 is a rear elevational view thereof;
FIG. 6 is a top plan view thereof; and,
FIG. 7 is a bottom plan view thereof.
The broken lines shown in FIGS. 1, 2, 4, 5, 6, and 7 show portions of the watchcase that form no part of the claimed design.

1 Claim, 4 Drawing Sheets



(56)

References Cited

U.S. PATENT DOCUMENTS

D789,808	S	*	6/2017	Kimura	D10/30
D795,710	S	*	8/2017	Okazaki	D10/30
D799,343	S	*	10/2017	Waecker	D10/30
D804,327	S	*	12/2017	Sugiura	D10/30
D804,328	S	*	12/2017	Sugiura	D10/30
D804,966	S	*	12/2017	Inoue	D10/30
2014/0362673	A1	*	12/2014	Earl	G04B 3/043 368/194

* cited by examiner

FIG. 1



FIG. 2



FIG. 3

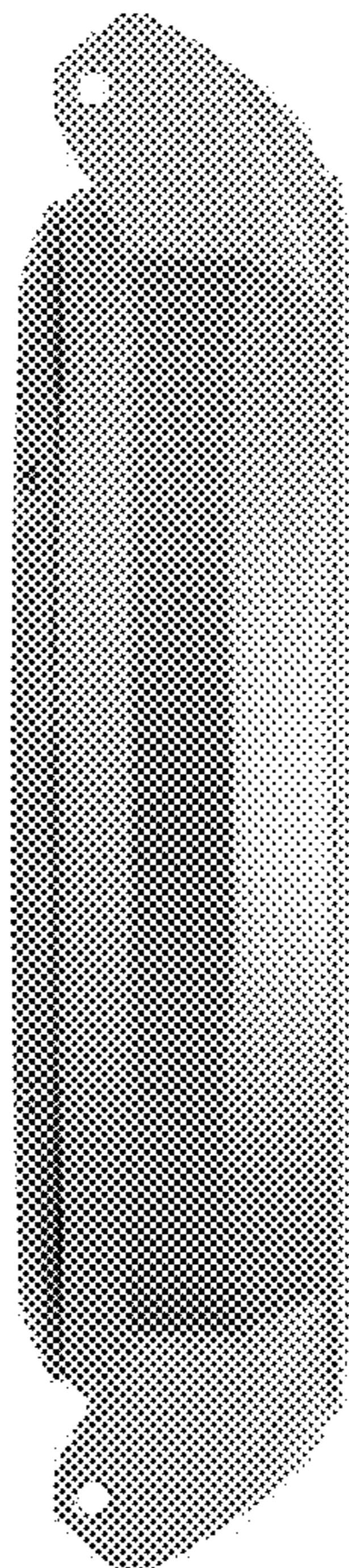


FIG. 4

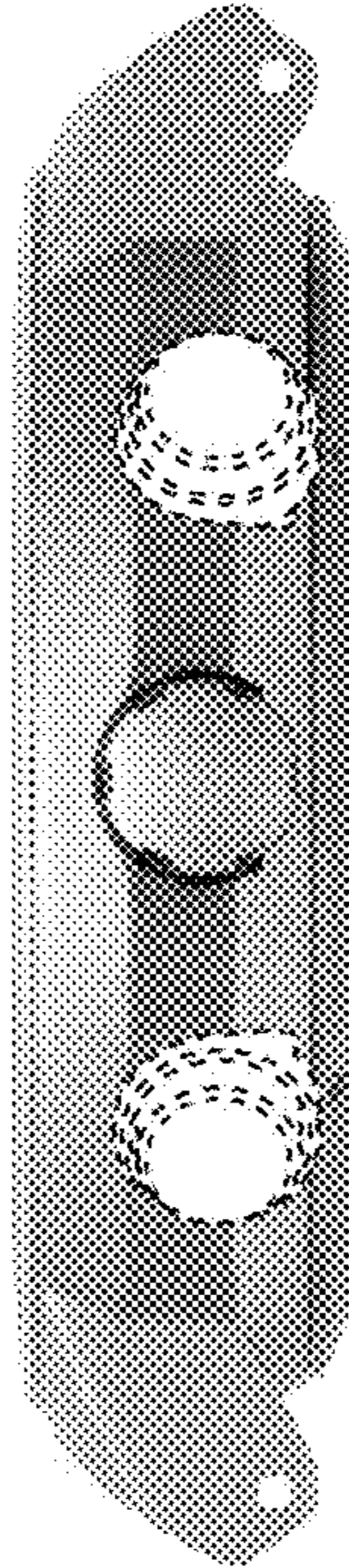


FIG. 5

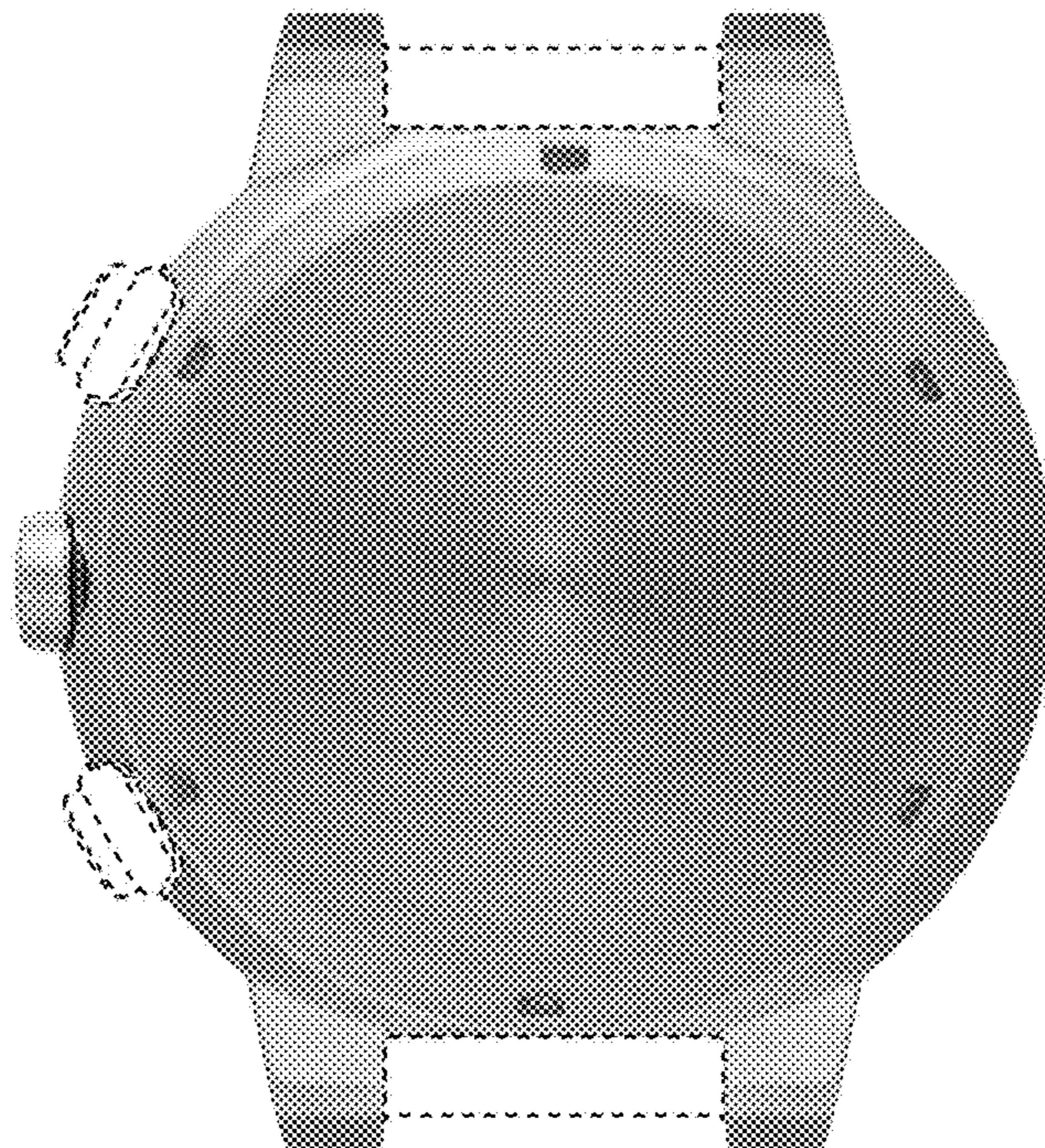


FIG. 6

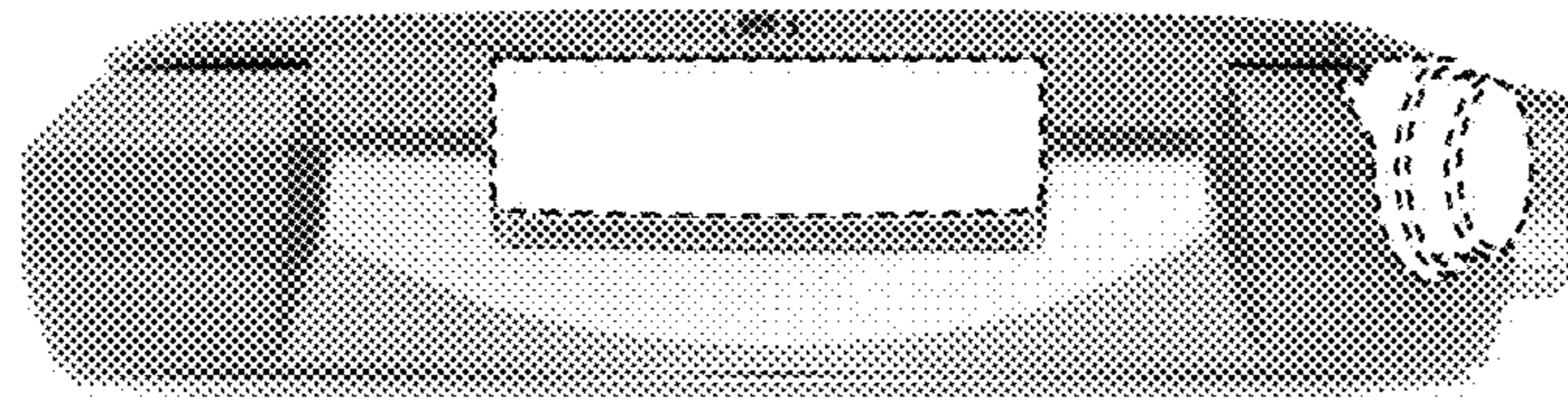


FIG. 7

