



US00D822507S

(12) **United States Design Patent**
Vivone

(10) **Patent No.:** **US D822,507 S**

(45) **Date of Patent:** **** Jul. 10, 2018**

(54) **WATCH CASE**

(71) Applicant: **FENDI ADELE S.R.L.**, Rome RM (IT)

(72) Inventor: **Luigi Vivone**, Mur (Vully) VD (CH)

(73) Assignee: **Fendi S.r.l.**, Rome RM (IT)

(**) Term: **15 Years**

(21) Appl. No.: **35/502,615**

(22) Filed: **Sep. 12, 2016**

(80) **Hague Agreement Data**

Int. Filing Date: **Sep. 12, 2016**
Int. Reg. No.: **DM/092616**
Int. Reg. Date: **Sep. 12, 2016**
Int. Reg. Pub. Date: **Mar. 17, 2017**

(51) **LOC (11) Cl.** **10-02**

(52) **U.S. Cl.**
USPC **D10/30**

(58) **Field of Classification Search**
USPC D10/30, 38, 128
CPC G04B 19/283
See application file for complete search history.

(56) **References Cited**

U.S. PATENT DOCUMENTS

D380,392 S * 7/1997 Kennedy D10/30
D718,154 S * 11/2014 Gueit D10/38

D758,886 S * 6/2016 Kimura D10/128
D793,870 S * 8/2017 Abdourahim D10/30
D795,706 S * 8/2017 Lasserre D10/30
D795,707 S * 8/2017 Monachon D10/30
D808,825 S * 1/2018 Roden D10/30

* cited by examiner

Primary Examiner — George D. Kirschbaum

(74) *Attorney, Agent, or Firm* — Morrison & Foerster
LLP

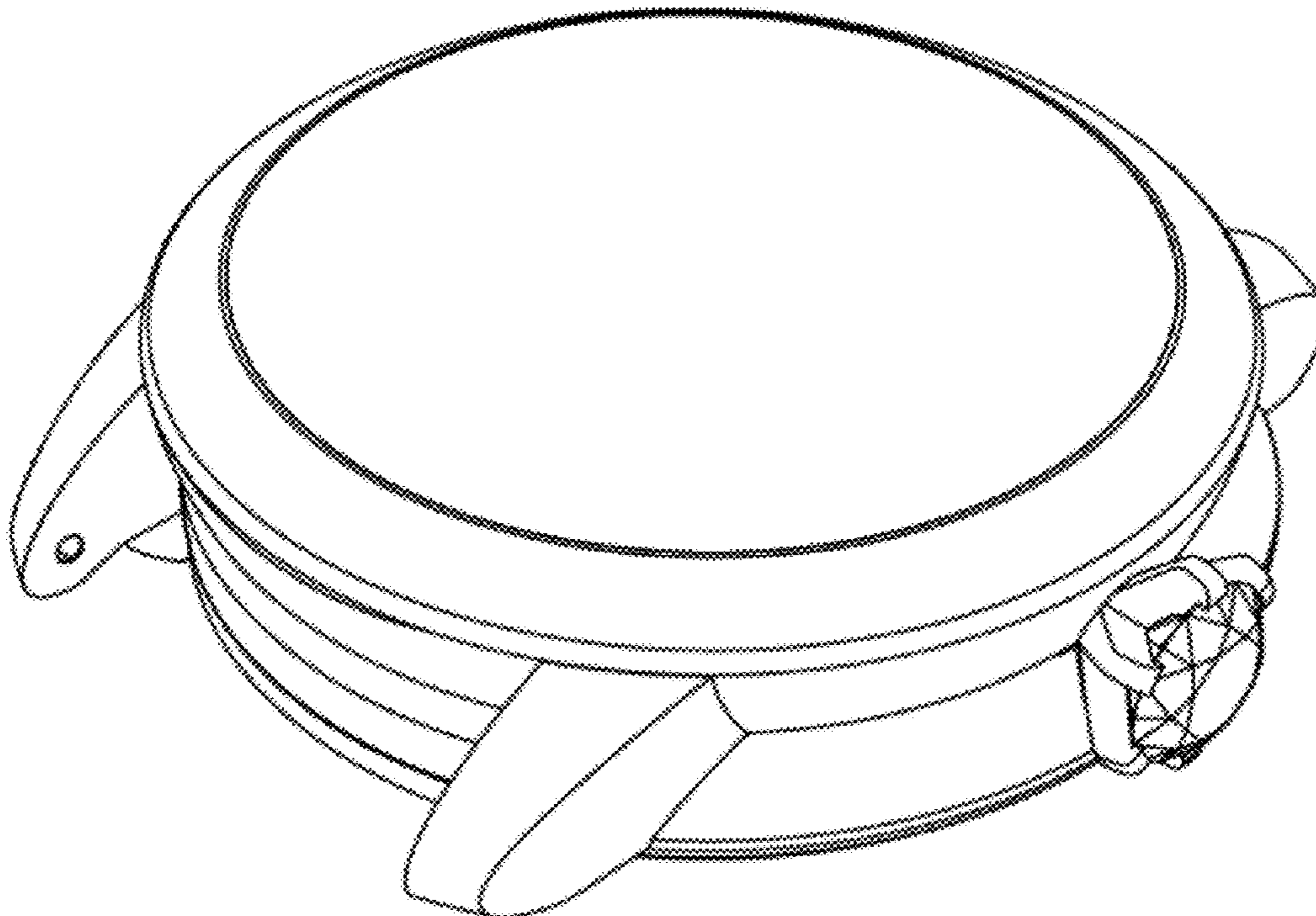
(57) **CLAIM**

The ornamental design for a watch case, as shown and described.

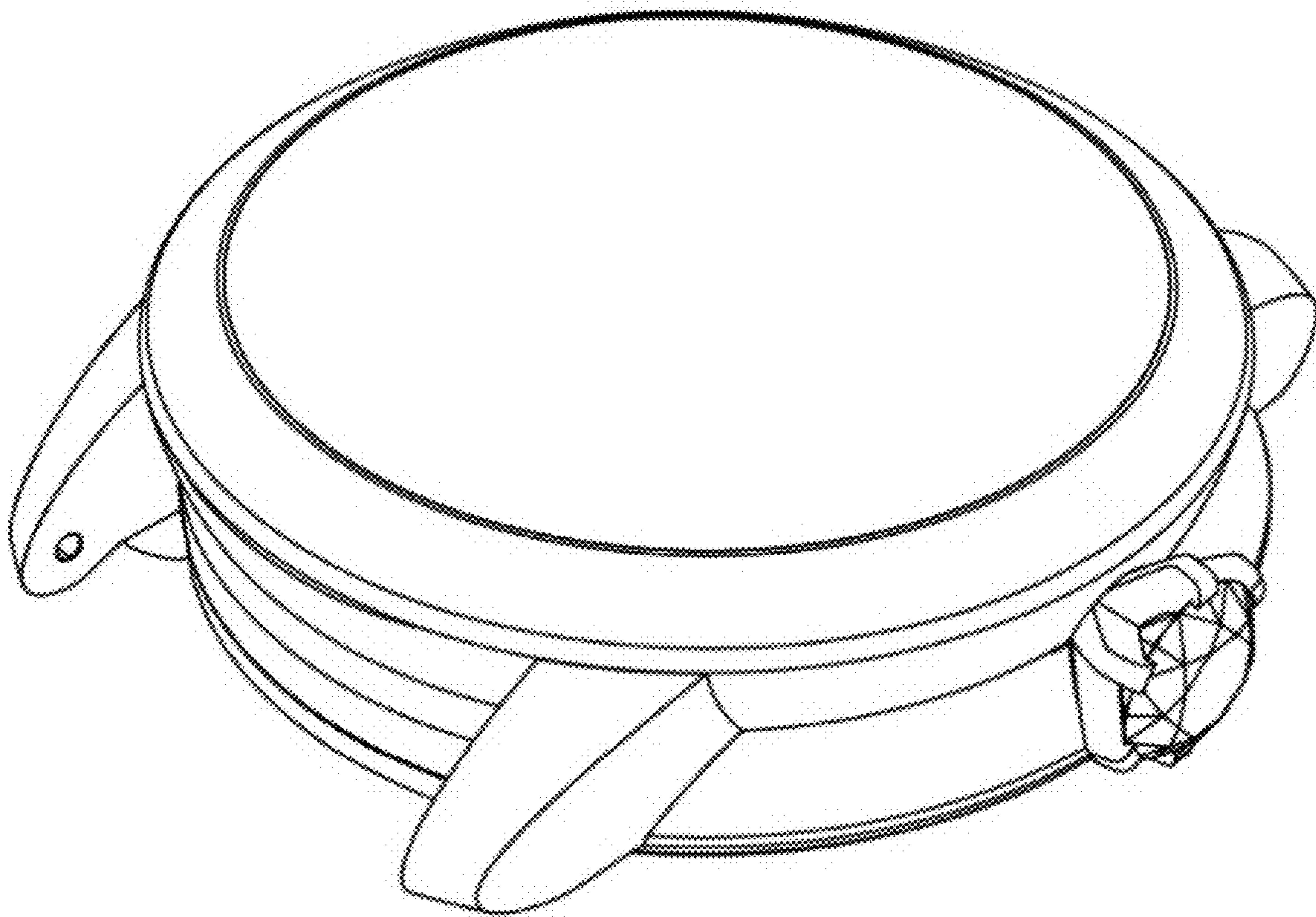
DESCRIPTION

- 1. Watch case
- 1.1 : Perspective
- 1.2 : Top
- 1.3 : Bottom
- 1.4 : Right
- 1.5 : Left
- 1.6 : Front
- 1.7 : Back

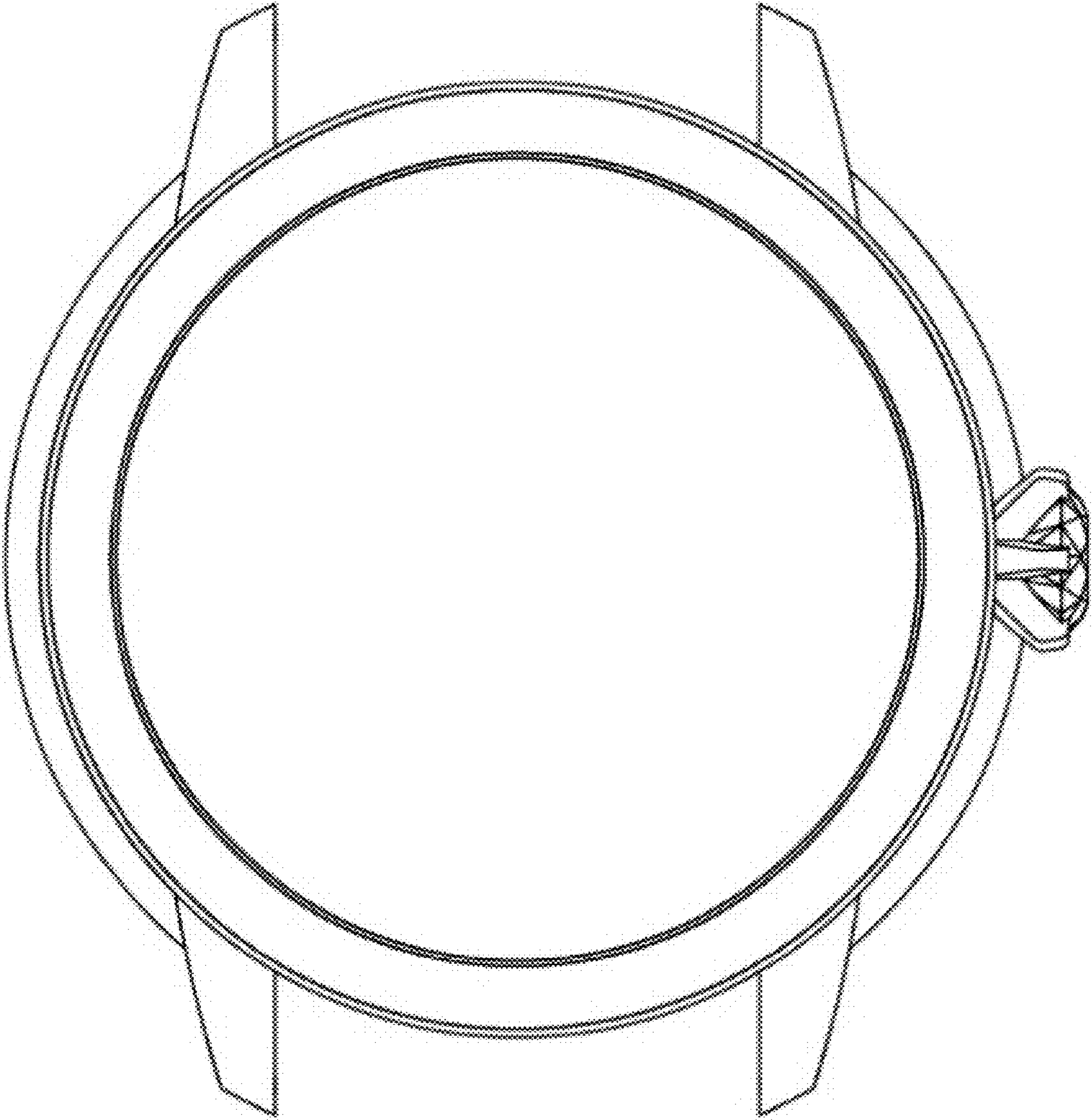
1 Claim, 7 Drawing Sheets



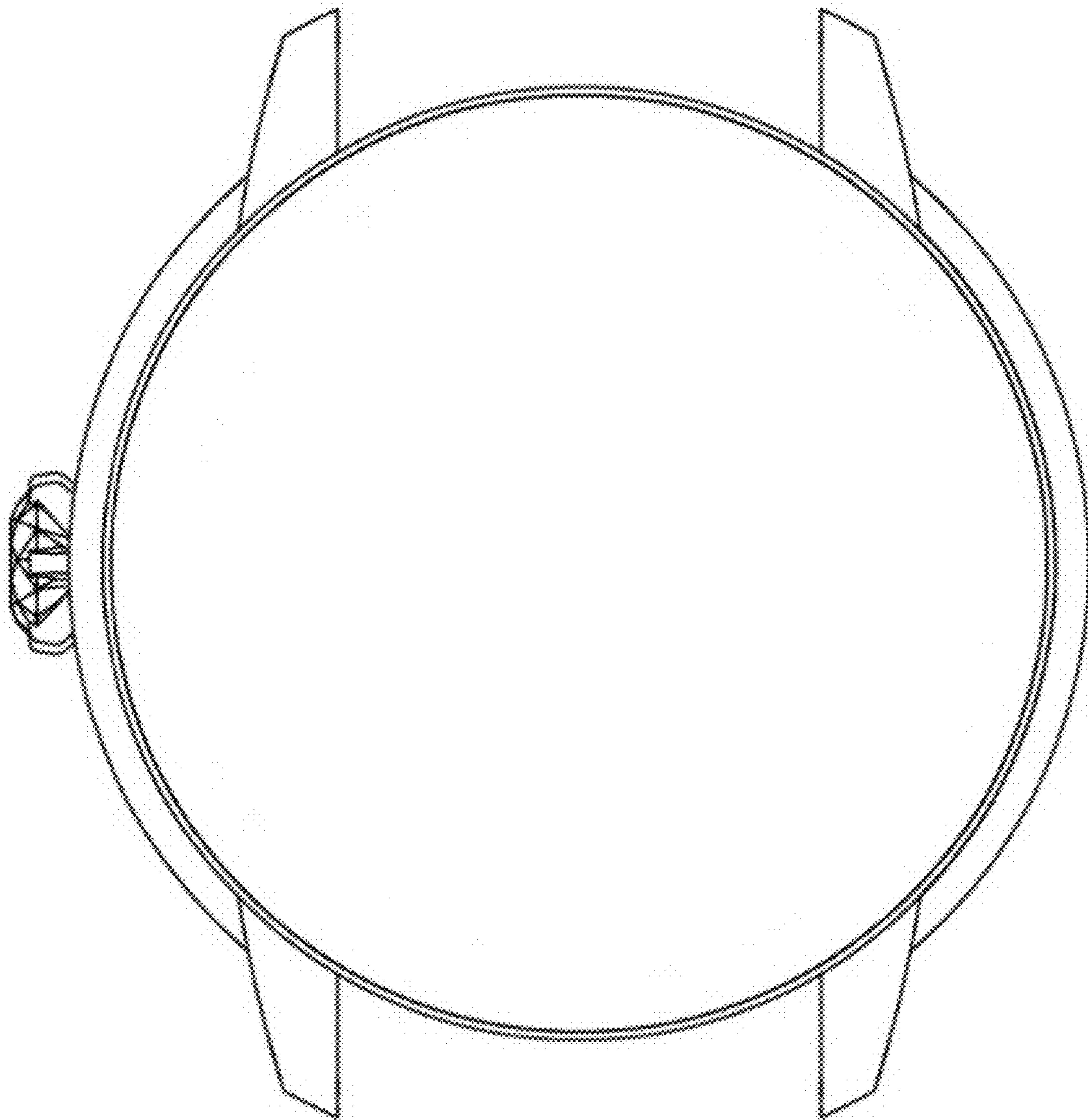
1.1



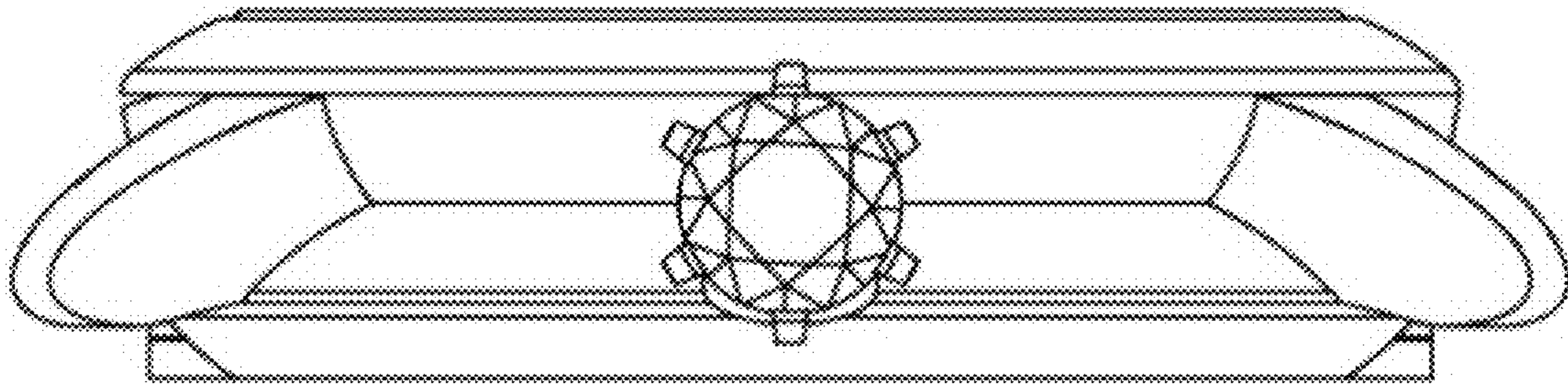
1.2



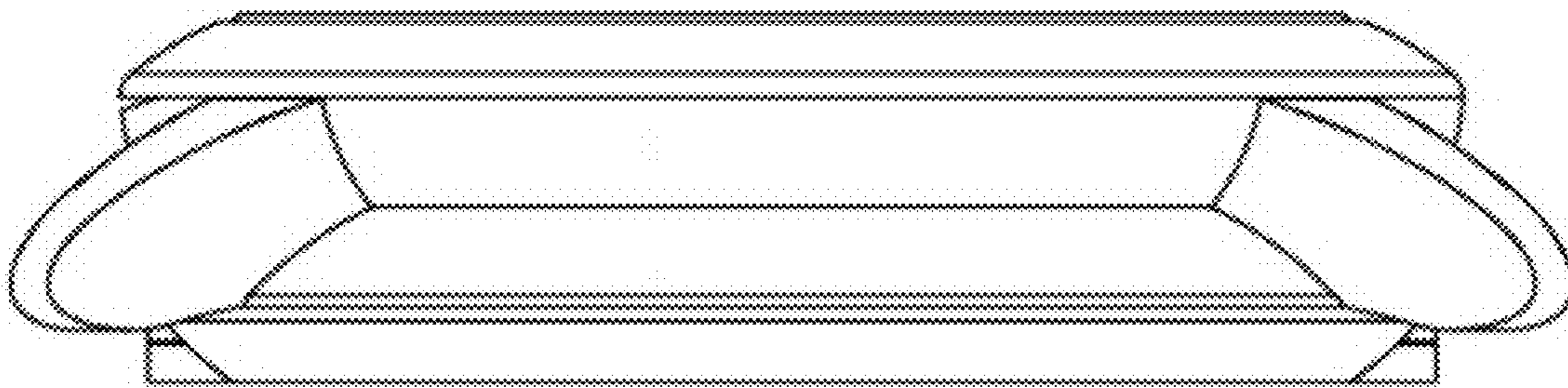
1.3



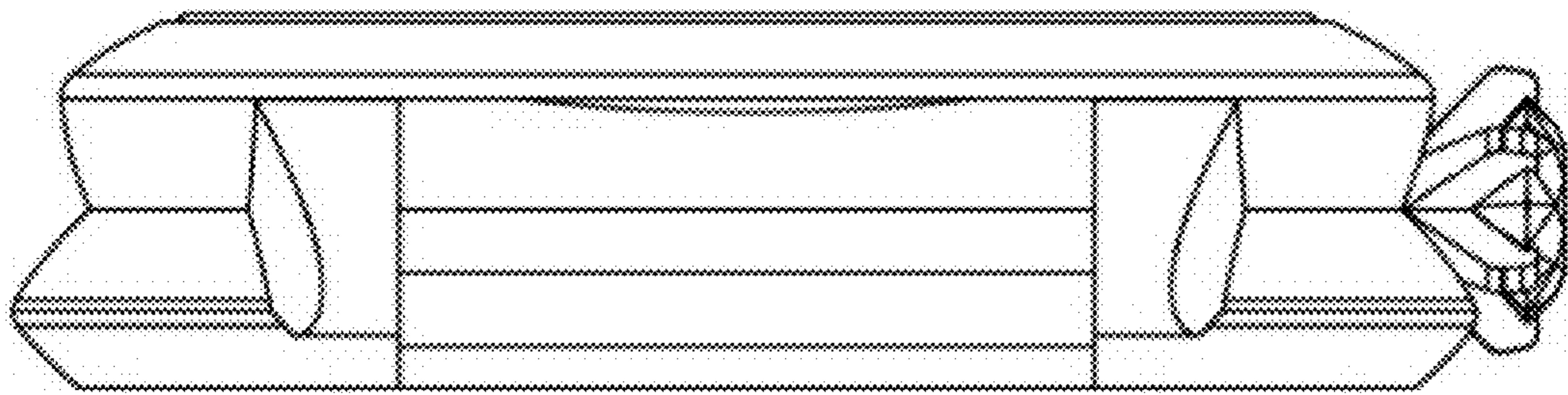
1.4



1.5



1.6



1.7

