



US00D822506S

(12) **United States Design Patent** (10) **Patent No.:** **US D822,506 S**
Tilahun et al. (45) **Date of Patent:** **** Jul. 10, 2018**

(54) **SNACK PACKAGE**

(71) Applicant: **Kraft Foods Group Brands LLC**,
Northfield, IL (US)
(72) Inventors: **Muluken Tilahun**, Waunakee, WI
(US); **Paris Alexander Edwards**
Lowitz, Chicago, IL (US); **Stacy Alycia**
Thomas Castro, Chicago, IL (US);
Thad Fisher, Madison, WI (US)

(73) Assignee: **Kraft Foods Group Brands LLC**,
Chicago, IL (US)

(**) Term: **15 Years**

(21) Appl. No.: **29/571,001**

(22) Filed: **Jul. 13, 2016**

Related U.S. Application Data

(60) Division of application No. 29/508,476, filed on Nov. 6, 2014, now Pat. No. Des. 773,940, which is a continuation-in-part of application No. 29/483,281, filed on Feb. 27, 2014, now Pat. No. Des. 750,976.

(51) **LOC (11) Cl.** **09-03**

(52) **U.S. Cl.**
USPC **D9/761**

(58) **Field of Classification Search**
USPC D9/707, 761, 762, 737, 748, 749, 754,
D9/755, 700, 686, 688, 689, 390, 414,
D9/415, 424-427, 430-432, 434, 435,
D9/454, 456, 438, 416, 518;
D7/553.1-553.7; D24/104, 226, 230;
229/406, 164.1; 220/500, 555, 631, 657,
220/659, 904, 269-272, 906; 206/461;
416/108, 110, 119, 122; D11/221;
24/429
CPC B65D 1/36; B65D 71/70; B65D 85/78;
A23G 9/503

See application file for complete search history.

(56) **References Cited**

U.S. PATENT DOCUMENTS

D144,016 S 2/1946 Weideman
D165,683 S 1/1952 Fournier et al.
D195,737 S 7/1963 Bassett
3,565,245 A 2/1971 Asher et al.
D232,348 S 8/1974 Cloud
D273,765 S 5/1984 Cillario
D279,865 S 7/1985 McKee

(Continued)

FOREIGN PATENT DOCUMENTS

WO WO-2014/005023 1/2014

OTHER PUBLICATIONS

Keebler Sargento Cheese Dip & Sticks, available Oct. 28, 2011, [online], Available from internet, <URL: <https://www.soap.com/productname-241277>.

(Continued)

Primary Examiner — Cathron C Brooks

Assistant Examiner — W. A. Teddy Falloway

(74) *Attorney, Agent, or Firm* — Foley & Lardner LLP

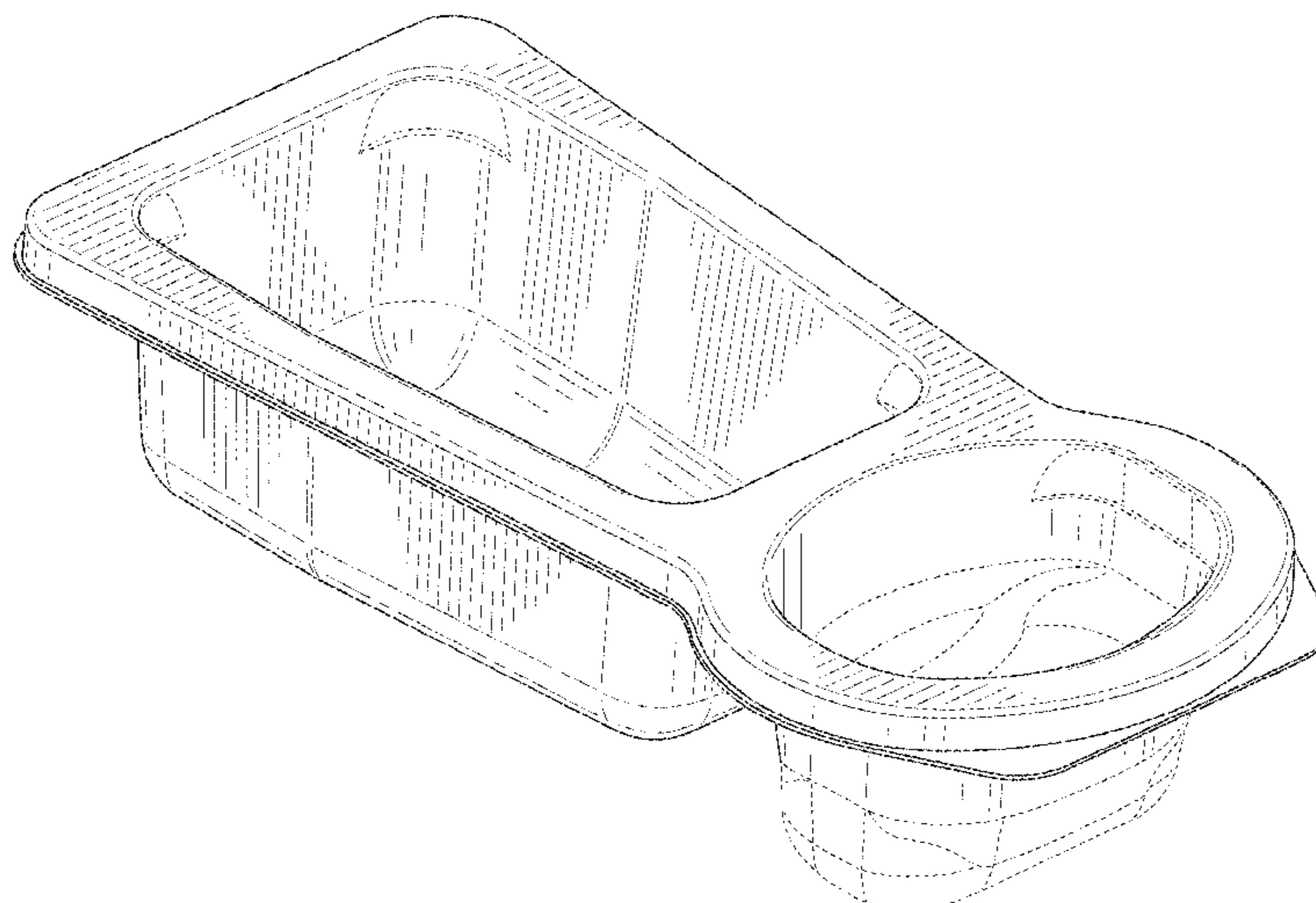
(57) **CLAIM**

We claim the ornamental design for a snack package, as shown and described.

DESCRIPTION

FIG. 1 is a front perspective view of a snack package;
FIG. 2 is a top view thereof;
FIG. 3 is a bottom view thereof;
FIG. 4 is a front view thereof;
FIG. 5 is a rear view thereof;
FIG. 6 is a right side view thereof; and,
FIG. 7 is a left side view thereof.
The broken lines in the figures illustrate portions of the snack package and form no part of the claimed design.

1 Claim, 5 Drawing Sheets



(56)

References Cited

U.S. PATENT DOCUMENTS

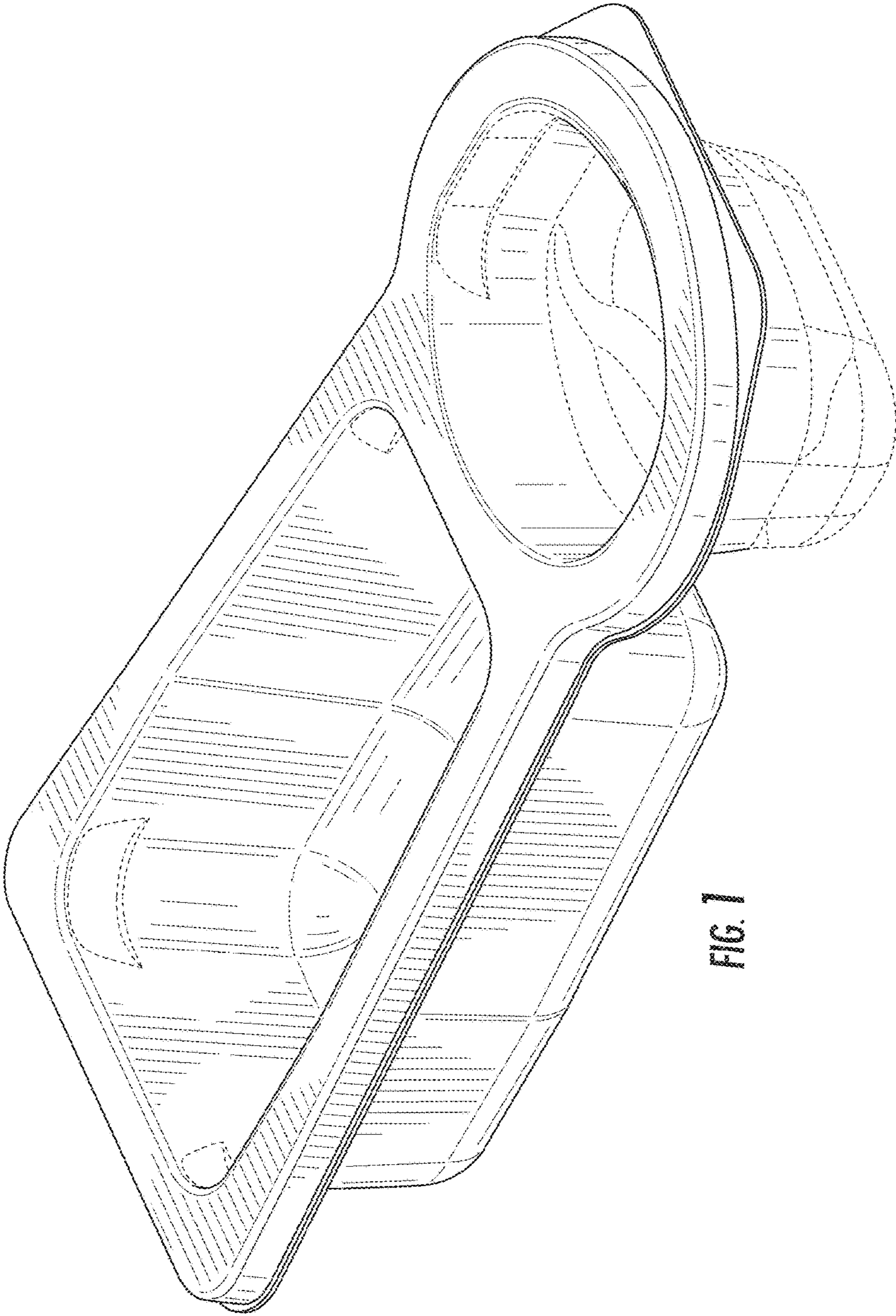
D292,379 S 10/1987 Pollitt
 D297,115 S 8/1988 Fontana et al.
 D297,116 S 8/1988 Fontana et al.
 D297,117 S 8/1988 Fontana et al.
 D297,118 S 8/1988 Fontana et al.
 D297,119 S 8/1988 Fontana et al.
 4,836,380 A 6/1989 Walter et al.
 D303,215 S 9/1989 Hoyt
 5,092,475 A 3/1992 Krishnakumar et al.
 D339,522 S 9/1993 Zoss
 D341,624 S 11/1993 Evenson et al.
 D349,456 S 8/1994 Wilson
 D366,187 S 1/1996 Van Den Kieboom
 D371,940 S 7/1996 Krupa
 5,598,941 A 2/1997 Semersky et al.
 D386,075 S 11/1997 Hayes et al.
 D395,232 S 6/1998 Bryan et al.
 D395,233 S 6/1998 Bryan et al.
 D408,684 S 4/1999 Helm
 D411,798 S 7/1999 Suzuki
 5,927,533 A 7/1999 Payne et al.
 D417,840 S * 12/1999 Alpert D24/226
 D419,061 S 1/2000 Croft et al.
 D420,855 S 2/2000 Hurley
 D427,914 S 7/2000 Croft et al.
 D429,147 S 8/2000 Baker et al.
 6,117,506 A 9/2000 Graboski et al.
 6,152,302 A 11/2000 Miller et al.
 D443,510 S 6/2001 Doucette
 D446,127 S 8/2001 Adee et al.
 D446,128 S 8/2001 Adee et al.
 D446,730 S 8/2001 Adee et al.
 D450,596 S 11/2001 Adee et al.
 D481,635 S 11/2003 Lovelace et al.
 D484,364 S 12/2003 Bailey et al.
 6,662,960 B2 12/2003 Hong et al.
 6,695,162 B1 2/2004 Boukobza et al.
 6,698,606 B2 3/2004 Deubel et al.
 6,763,969 B1 7/2004 Melrose et al.
 D494,463 S 8/2004 Tsao
 D495,246 S 8/2004 Tomassetti
 D504,326 S 4/2005 Vovan
 6,929,139 B2 8/2005 Darr
 D529,821 S 10/2006 Wilcox et al.
 D530,626 S 10/2006 Tanja
 D531,054 S 10/2006 Sagel
 D535,889 S 1/2007 Kaminski et al.
 D536,619 S 2/2007 Heisner
 D549,572 S 8/2007 Althouse et al.
 D557,635 S 12/2007 Ohgaku et al.
 D559,148 S 1/2008 Yamagishi
 D562,146 S 2/2008 Zboch et al.
 D568,164 S 5/2008 Dodge et al.
 D569,733 S 5/2008 Dodge et al.
 7,367,365 B2 5/2008 Slat et al.
 D571,228 S 6/2008 Maslowski
 D577,577 S 9/2008 Lee et al.
 D579,769 S 11/2008 Lipinski et al.
 D585,746 S 2/2009 Dodge et al.
 D585,747 S 2/2009 Dodge et al.
 D585,755 S 2/2009 Dodge et al.
 7,568,588 B2 8/2009 Yourist

7,581,654 B2 9/2009 Stowitts
 D609,576 S 2/2010 Kuzma et al.
 7,699,183 B2 4/2010 Matsuoka et al.
 D621,718 S 8/2010 Mehdizadeh
 7,798,349 B2 9/2010 Maczek et al.
 D626,002 S 10/2010 Charyszyn et al.
 7,959,024 B2 6/2011 Pedmo et al.
 D642,066 S 7/2011 Kuzma et al.
 D645,764 S 9/2011 Mathis et al.
 D647,792 S 11/2011 Mathis et al.
 8,069,986 B2 12/2011 Darr et al.
 D652,323 S 1/2012 Clark
 8,113,370 B2 2/2012 Zhang et al.
 D655,136 S 3/2012 Goodman
 D655,629 S 3/2012 Blanton et al.
 D659,000 S 5/2012 Kim et al.
 D664,434 S 7/2012 Kim et al.
 D669,368 S 10/2012 Ehrmann
 D674,288 S 1/2013 Gieske
 D681,474 S 5/2013 Gieske
 8,474,638 B2 7/2013 Pedmo et al.
 8,540,095 B2 9/2013 Pedmo et al.
 D693,178 S 11/2013 Wilson
 D696,136 S 12/2013 Gieske
 D697,415 S 1/2014 Bryant et al.
 8,632,722 B2 1/2014 Porter et al.
 D701,430 S 3/2014 Hohnstein et al.
 D712,283 S 9/2014 Ehrmann
 D713,742 S 9/2014 Dzikowicz et al.
 D714,660 S 10/2014 Tilahun et al.
 D732,344 S 6/2015 Clark
 D737,681 S 9/2015 Martinson et al.
 D750,976 S 3/2016 Tilahun et al.
 D769,132 S * 10/2016 Tilahun D9/737
 D773,940 S * 12/2016 Tilahun D9/737
 2005/0068182 A1 3/2005 Dunlap et al.
 2008/0179271 A1 7/2008 Bangi
 2010/0183775 A1 7/2010 Cudnohoske
 2011/0132916 A1 6/2011 Uptergrove et al.
 2012/0181246 A1 7/2012 Ross et al.
 2012/0267381 A1 10/2012 Trude et al.
 2012/0325770 A1 12/2012 Reeber et al.
 2013/0025092 A1 1/2013 Ozawa et al.
 2013/0032604 A1 2/2013 Jamali
 2013/0082024 A1 4/2013 Howell et al.

OTHER PUBLICATIONS

Nabisco Handi Snack-Oreo, available Jul. 7, 2013, [online], Available from internet, <URL: http://www.amazon.com/Nabisco-Snacks-Oreo-Sticks-Creme/dp/8007PWD4LI/ref=pd_sim_325_4?ie=UTF8&dp_l0=51b6H-9objL&dpSrc=sims&preST=_AC_UL160_SR160%2C160_&refRID=01Y9FTNC2NW58PAVCHND>.
 U.S. Notice of Allowance on U.S. Appl. No. 29/483,281 dated Oct. 27, 2015.
 U.S. Office Action on 037701-0186 dated Apr. 9, 2015.
 U.S. Office Action on 037701-0186 dated Jul. 20, 2015.
 U.S. Office Action on U.S. Appl. No. 29/508,476 dated May 5, 2016.
 U.S. Office Action on U.S. Appl. No. 29/508,481 dated May 6, 2016.

* cited by examiner



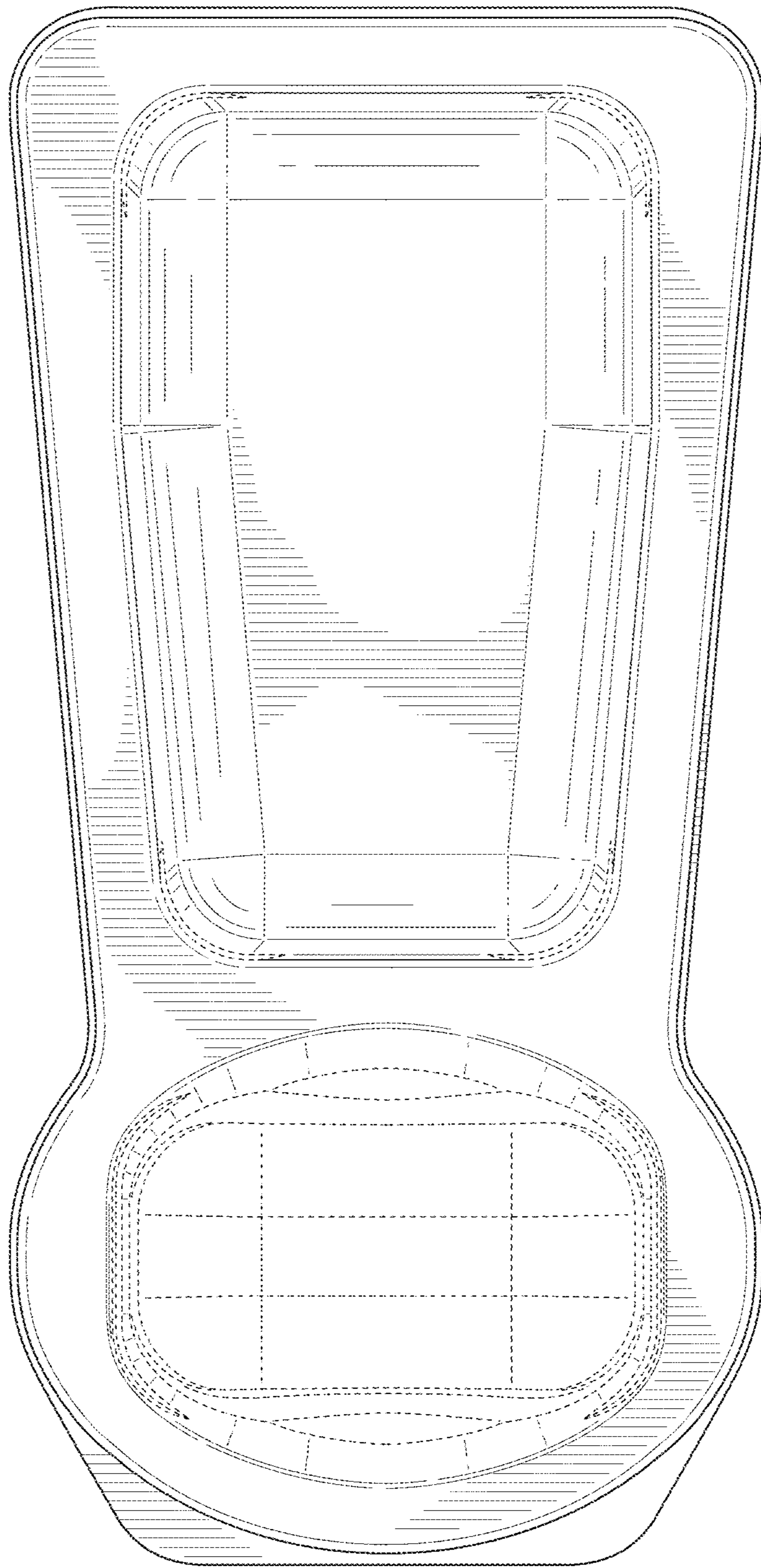


FIG. 2

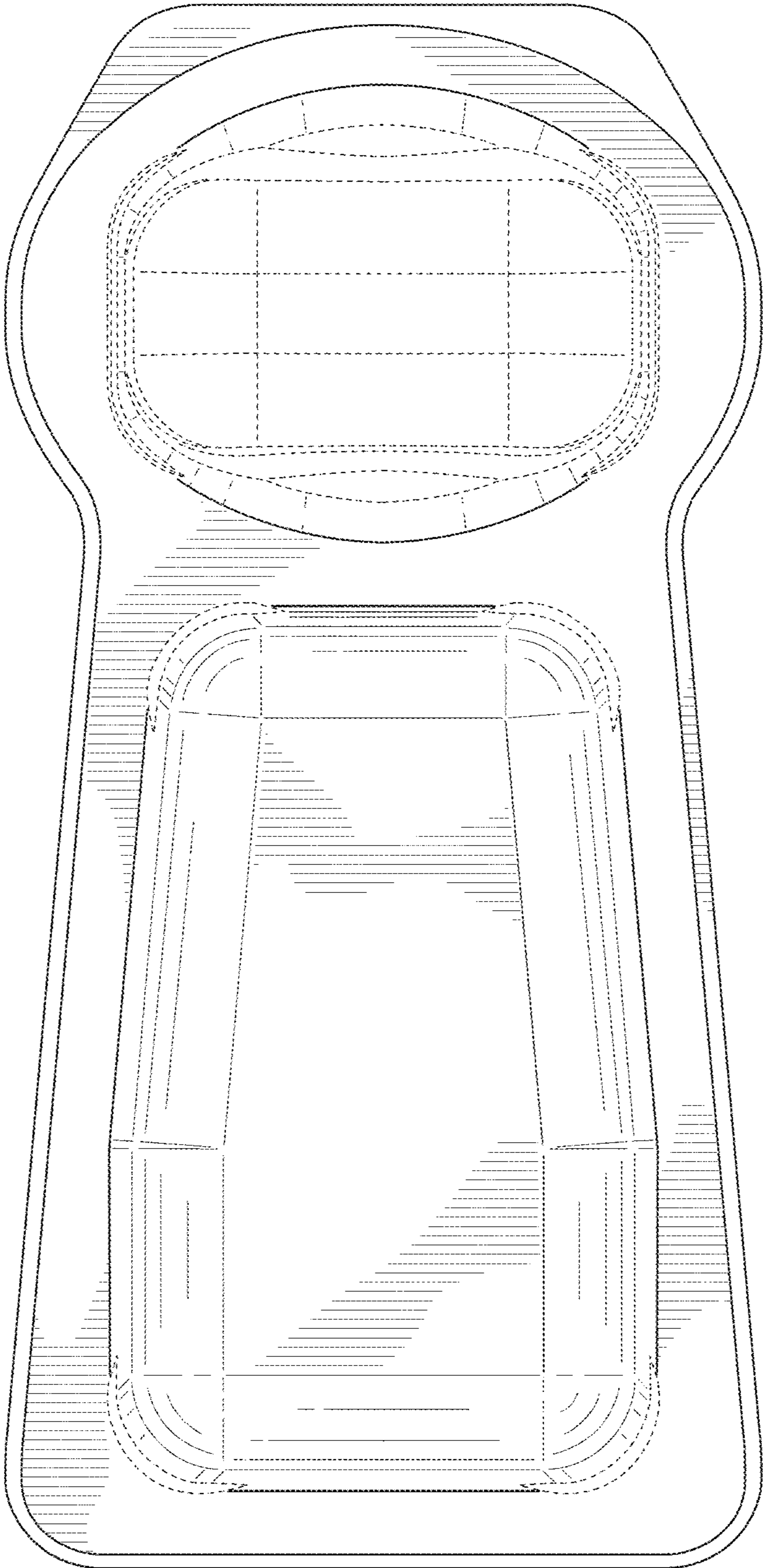


FIG. 3

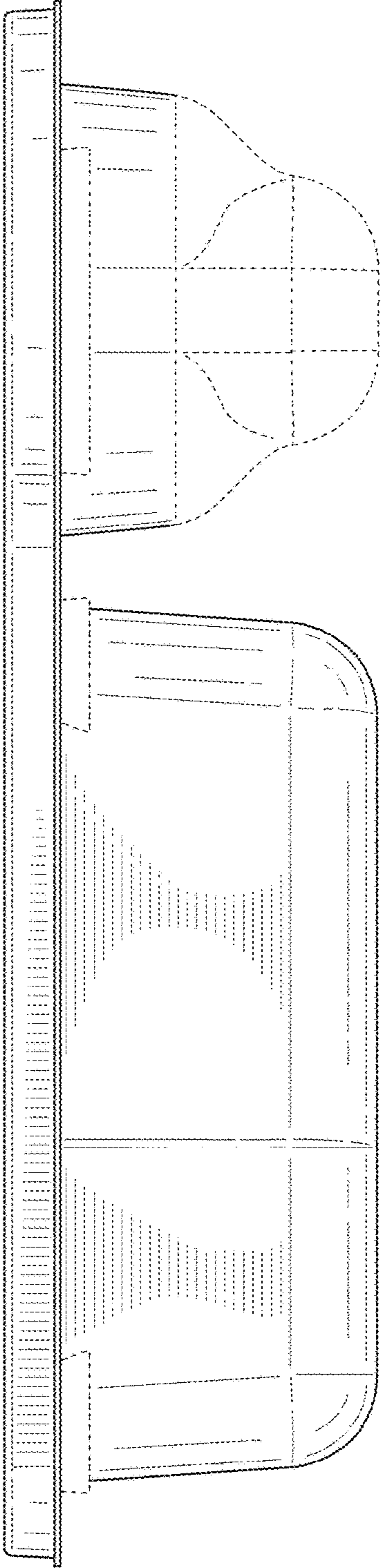


FIG. 4

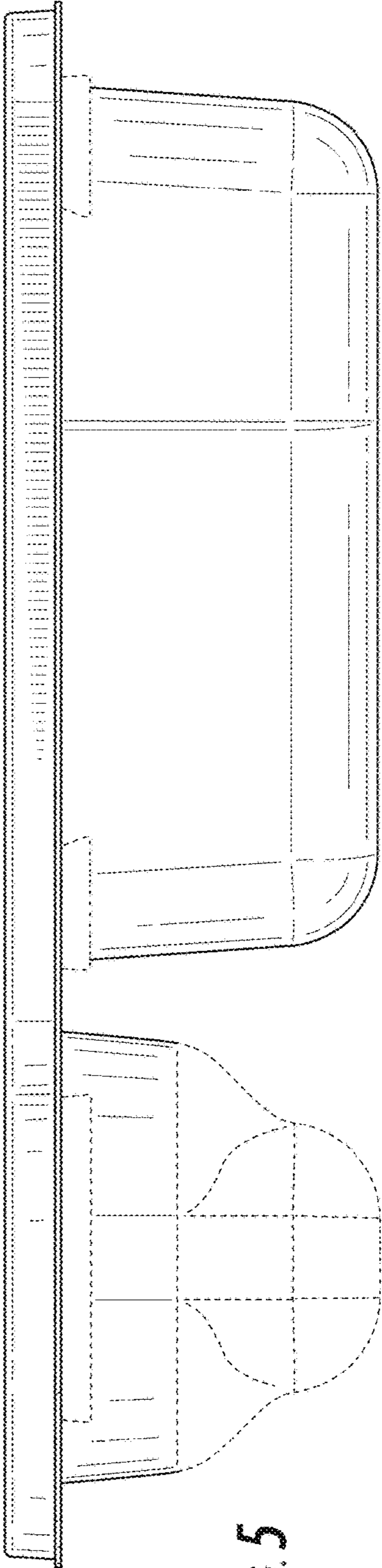


FIG. 5

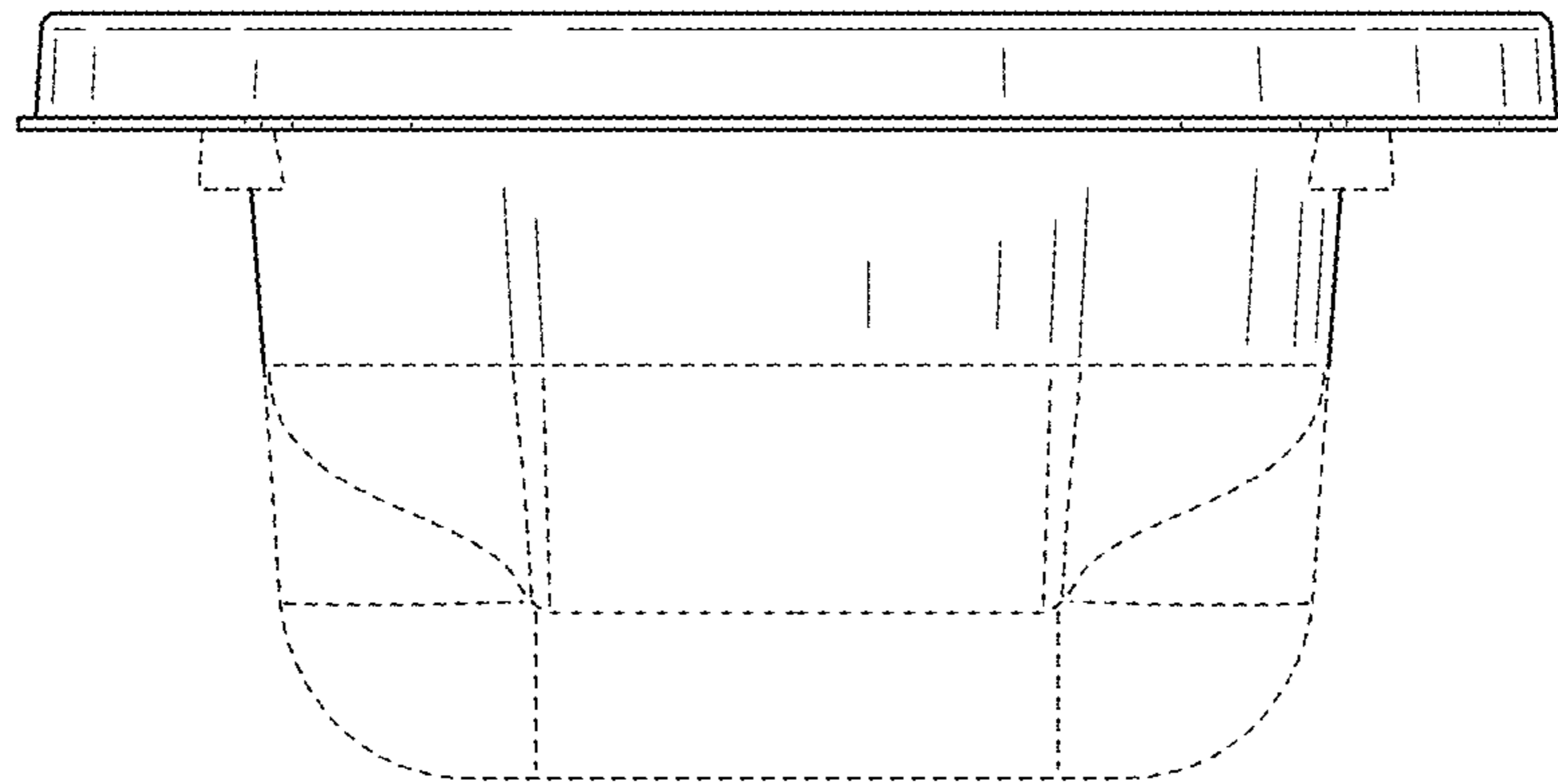


FIG. 6

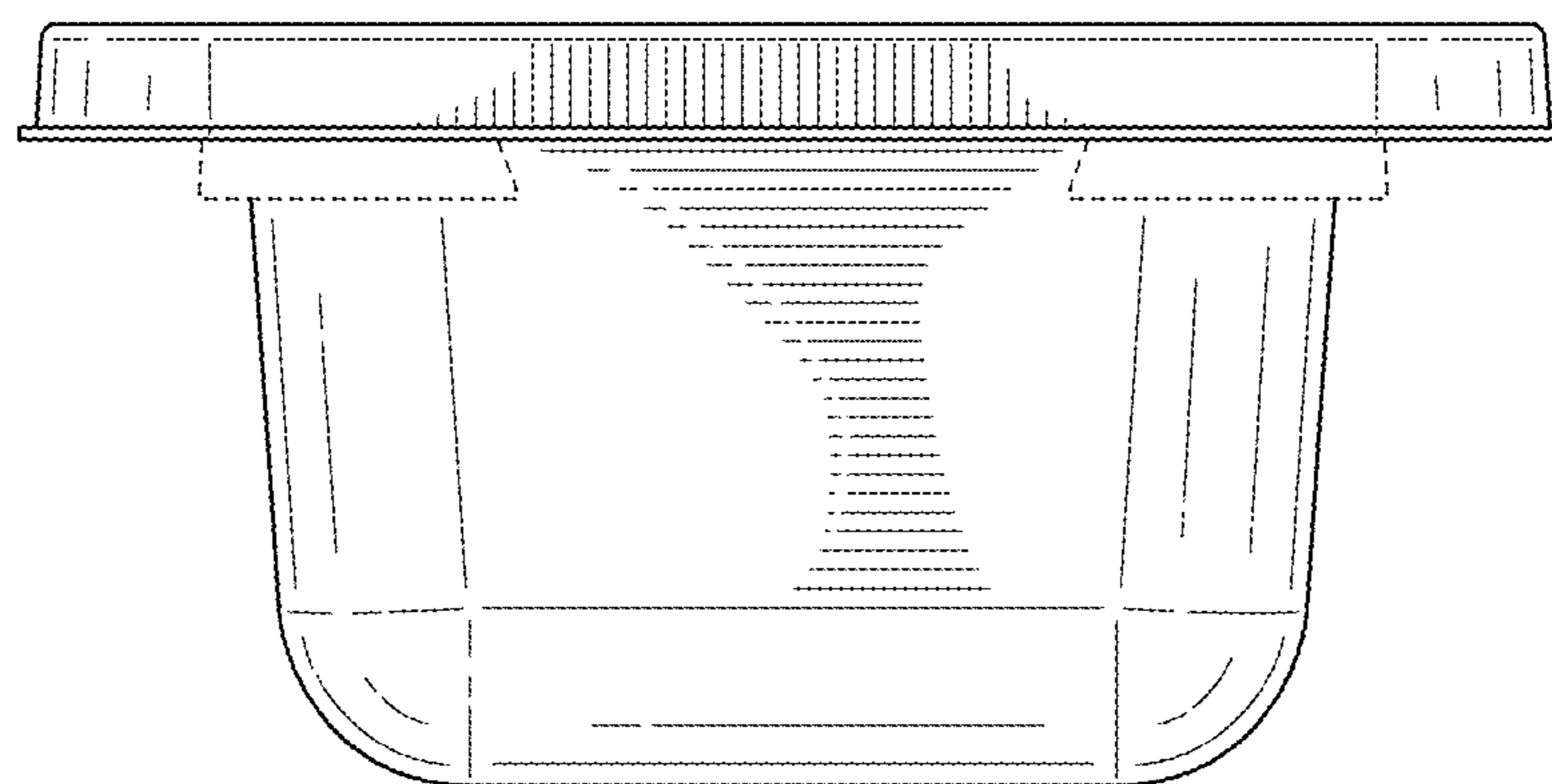


FIG. 7