



US00D822505S

(12) **United States Design Patent**
Gibson et al.

(10) **Patent No.:** **US D822,505 S**
(45) **Date of Patent:** **** Jul. 10, 2018**

- (54) **TOBACCO BOX**
- (71) Applicant: **British American Tobacco (Investments) Limited**, London (GB)
- (72) Inventors: **Paul Gibson**, London (GB); **Craig Barnes**, London (GB)
- (73) Assignee: **British American Tobacco (Investments) Limited**, London (GB)
- (**) Term: **14 Years**
- (21) Appl. No.: **29/465,550**
- (22) Filed: **Aug. 29, 2013**

Related U.S. Application Data

- (62) Division of application No. 29/397,806, filed on Jul. 21, 2011.

Foreign Application Priority Data

- Jan. 21, 2011 (EM) 001809104

- (51) **LOC (11) Cl.** **09-01**
- (52) **U.S. Cl.**
USPC **D9/721**

- (58) **Field of Classification Search**
USPC D9/414, 419, 423, 424, 425, 428, 430, D9/431, 432, 721, 736, 737, 756; D7/553.4, 553.6, 554.2; 206/236, 239, 206/242, 264, 256, 557, 562; D27/103, D27/172, 183-194
CPC .. B65D 75/36; B65D 2201/00; B65D 5/4208; B65D 75/32; B65D 81/2076; B65D 2543/00296; B65D 75/22; B65D 2575/367; B65D 5/52; B65D 2543/00194; B65D 43/162; B65D 75/367; B65D 85/00; B65D 2571/0066; B65D 73/0028; B65D 73/0042; B65D 5/5038; B65D 1/36; B65D 71/10; B65D 5/503; B65D 21/0233; B65D 2519/00034; B65D 2519/00069; B65D 2519/00288; B65D 2519/00318; B65D 11/20; B65D 2519/00174; B65D 2519/00268; B65D 2519/0094; B65D 5/48024; B65D

5/48028; B65D 65/10; B65D 71/246; B65D 77/046; B65D 77/22; Y10S 435/81
See application file for complete search history.

(56) **References Cited**

U.S. PATENT DOCUMENTS

2,565,912 A 8/1951 Davis
D225,364 S 12/1972 Antoni
(Continued)

FOREIGN PATENT DOCUMENTS

CA 129035 9/2009
CA 129038 9/2009
(Continued)

OTHER PUBLICATIONS

Decision to Maintain Validity of Registered Community Design No. 001809104-0001, dated Sep. 30, 2014, rejecting Swedish Match North Europe AB's application for declaration of invalidity.
(Continued)

Primary Examiner — Laren R Calve
(74) *Attorney, Agent, or Firm* — McKee, Voorhees & Sease, PLC

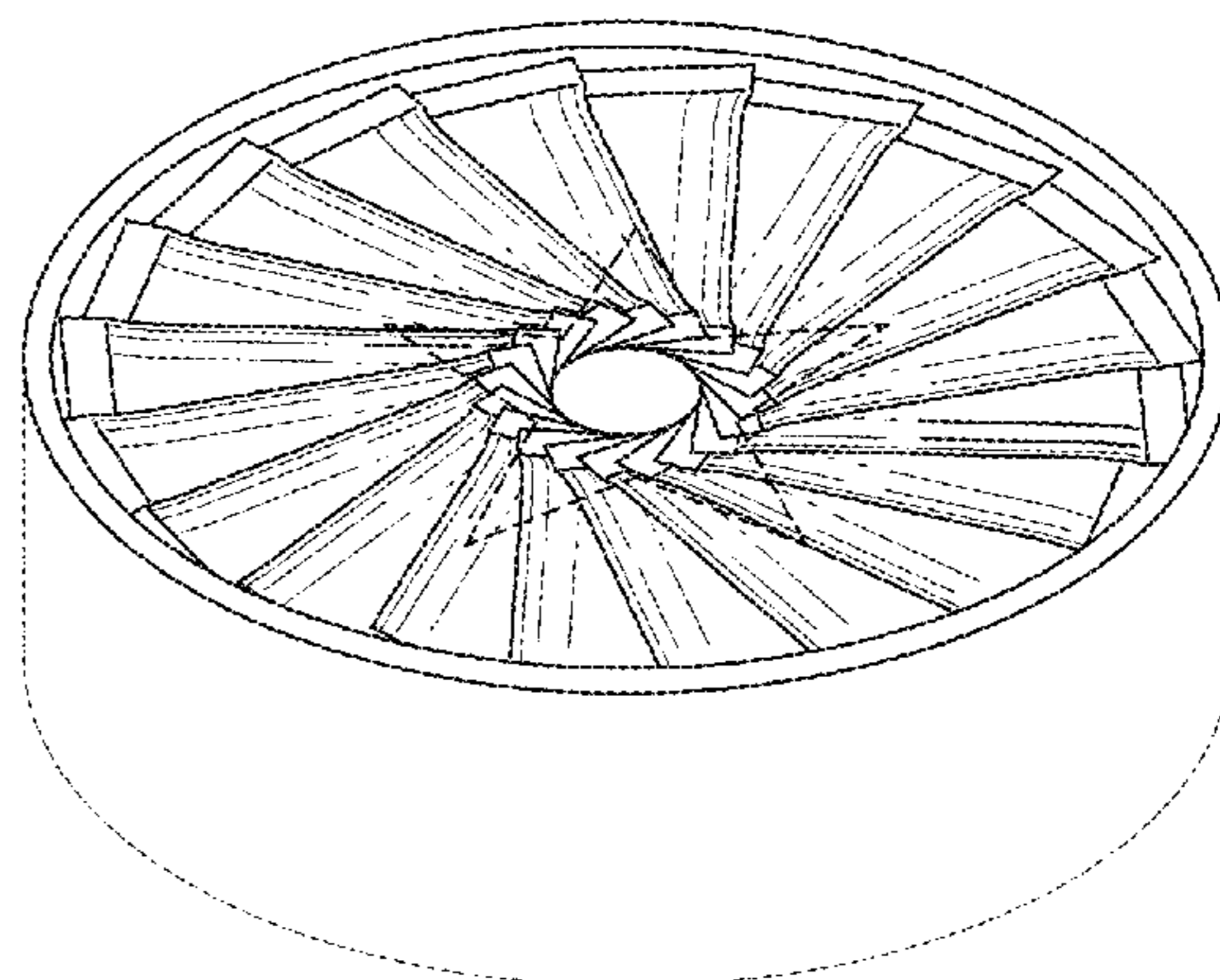
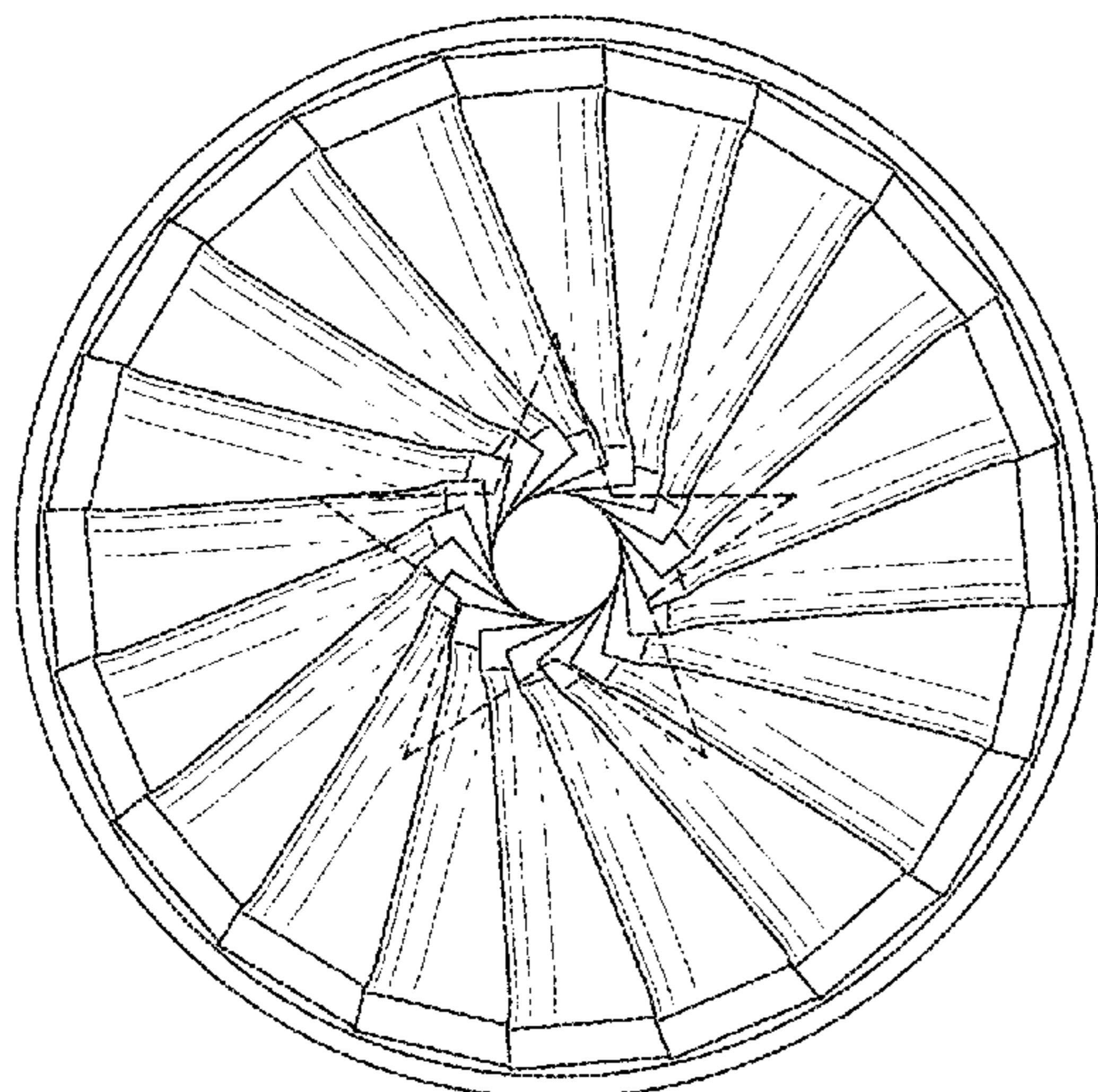
(57) **CLAIM**

The ornamental design for a tobacco box, as shown and described.

DESCRIPTION

FIG. 1 is a top view of a new design for a tobacco box; and, FIG. 2 is a perspective view thereof. The back side of the perspective view is the same as that of the front side of the perspective view, and is not provided herein. The broken lines shown in the figures are for illustration purposes only and form no part of the claimed design.

1 Claim, 1 Drawing Sheet



(56)

References Cited

U.S. PATENT DOCUMENTS

D489,606 S	5/2004	Lofman	
D611,340 S	3/2010	Bizzell	
D618,562 S *	6/2010	Bizzell et al.	D9/756
D624,437 S	9/2010	Leclezio	
D679,990 S *	4/2013	O'Brien et al.	D9/428
D683,498 S *	5/2013	Ghiotti et al.	D27/186
D690,608 S *	10/2013	Neias	D9/721
2005/0072711 A1	4/2005	Yang	
2006/0018786 A1	1/2006	Tolman et al.	
2011/0220523 A1*	9/2011	Black et al.	206/242

FOREIGN PATENT DOCUMENTS

EM	000233036-0004	12/2004
EM	000487913-0010	4/2006
EM	000767157-0001	10/2007
EM	947015-0001	9/2008
EM	1193437-0004	5/2010
EM	1193437-0006	5/2010
EM	001222889-0001	7/2010
EM	001222889-0003	7/2010
EM	001222889-0003.5	7/2010
EM	996269-0003	11/2010
EM	001265805	3/2011
EM	1081723-0001	7/2011
EM	1157069-0001	1/2012
EM	001796038	6/2013
IT	001222889-0011	7/2010
IT	001222889-0012	7/2010
IT	001222889-0013	7/2010
IT	001222889-0014	7/2010
NO	079897	4/2006
NO	079897.1.1	4/2006
NO	081333	5/2008
NO	081333.1	5/2008
NO	081333.4	5/2008
NO	081333.9	5/2008
NO	081333.9.1	5/2008
NO	081585	11/2008
NO	081585.2	11/2008
NO	081585.2.1	11/2008
NO	081585.11	11/2008
NO	081833	1/2009
NO	081833.2.4	1/2009
NO	081833.3.2	1/2009
NO	081833.4.2	1/2009
NO	083282	9/2011
NO	83903	4/2013
SE	80100	5/2008
SE	80100-0003	5/2008
SE	80100-0007	5/2008
SE	80100-0009	5/2008
SE	000933395-0003	7/2008
SE	000933395-0008	7/2008
SE	80411	11/2008
SE	001265805-0001	3/2011
SE	001265805-0002	3/2011
SE	001265805-0003	3/2011
SE	001265805-0004	3/2011
SE	001265805-0010	3/2011
SE	001527300-0001	8/2011
SE	001527300-0004	8/2011

OTHER PUBLICATIONS

Decision to Maintain Validity of Registered Community Design No. 001809104-0003, dated Oct. 1, 2014, rejecting Swedish Match North Europe AB's application for declaration of invalidity.
 Decision to Maintain Validity of Registered Community Design No. 001809104-0004, dated Oct. 1, 2014, rejecting Swedish Match North Europe AB's application for declaration of invalidity.

Decision to Maintain Validity of Registered Community Design No. 001809104-0008, dated Oct. 1, 2014, rejecting Swedish Match North Europe AB's application for declaration of invalidity.
 Decision to Maintain Validity of Registered Community Design No. 001809104-0012, dated Oct. 1, 2014, rejecting Swedish Match North Europe AB's application for declaration of invalidity.
 Decision to Maintain Validity of Registered Community Design No. 001809104-0013, dated Oct. 1, 2014, rejecting Swedish Match North Europe AB's application for declaration of invalidity.
 Decision to Maintain Validity of Registered Community Design No. 001809104-0014, dated Oct. 8, 2014, rejecting Swedish Match North Europe AB's application for declaration of invalidity.
 Decision to Maintain Validity of Registered Community Design No. 001809104-0015, dated Oct. 15, 2014, rejecting Swedish Match North Europe AB's application for declaration of invalidity.
 Decision to Maintain Validity of Registered Community Design No. 001809104-0017, dated Oct. 8, 2014, rejecting Swedish Match North Europe AB's application for declaration of invalidity.
 Decision to Maintain Validity of Registered Community Design No. 001809104-0018, dated Oct. 8, 2014, rejected Swedish Match North Europe AB's application for declaration of invalidity.
 Decision to Maintain Validity of Registered Community Design No. 001809104-0019, dated Oct. 8, 2014, rejecting Swedish Match North Europe AB's application for declaration of invalidity.
 Decision to Maintain Validity of Registered Community Design No. 001809104-0021, dated Oct. 10, 2014, rejecting Swedish Match North Europe AB's application for declaration of invalidity.
 Decision to Maintain Validity of Registered Community Design No. 001809104-0022, dated Oct. 10, 2014, rejecting Match North Europe AB's application for declaration of invalidity.
 Decision to Maintain Validity of Registered Community Design No. 001809104-0023, dated Oct. 10, 2014, rejecting Swedish Match North Europe AB's application for declaration of invalidity.
 Receipt of an Invalidity Application Notification to the Holder of the Contested RCD recieved by OHIM on Dec. 20, 2013 for Registration No. 001809104-0003, published Jul. 23, 2013.
 Receipt of an Invalidity Application Notification to the Holder of the Contested RCD recieved by OHIM on Dec. 20, 2013 for Registration No. 001809104-0004, published Jul. 23, 2013.
 Receipt of an Invalidity Application Notification to the Holder of the Contested RCD received by OHIM on Dec. 20, 2013 for Registration No. 001809104-0008, published Jul. 23, 2013.
 Receipt of an Invalidity Application Notification to the Holder of the Contested RCD recieved by OHIM on Dec. 20, 2013 for Registration No. 001809104-0012, published Jul. 23, 2013.
 Receipt of an Invalidity Application Notification to the Holder of the Contested RCD recieved by OHIM on Dec. 20, 2013 for Registration No. 001809104-0013, published Jul. 23, 2013.
 Receipt of an Invalidity Application Notification to the Holder of the Contested RCD received by OHIM on Dec. 20, 2013 for Registration No. 001809104-0014, published Jul. 23, 2013.
 Receipt of an Invalidity Application Notification to the Holder of the Contested RCD received by OHIM on Dec. 20, 2013 for Registration No. 001809104-0015, published Jul. 23, 2013.
 Receipt of an Invalidity Application Notification to the Holder of the Contested RCD received by OHIM on Dec. 20, 2013 for Registration No. 001809104-0017, published Jul. 23, 2013.
 Receipt of an Invalidity Application Notification to the Holder of the Contested RCD received by OHIM on Dec. 20, 2013 for Registration No. 001809104-0018, published Jul. 23, 2013.
 Receipt of an Invalidity Application Notification to the Holder of the Contested RCD received by OHIM on Dec. 20, 2013 for Registration No. 001809104-0019, published Jul. 23, 2013.
 Receipt of an Invalidity Application Notification to the Holder of the Contested RCD received by OHIM on Dec. 20, 2013 for Registration No. 001809104-0021, published Jul. 23, 2013.
 Receipt of an Invalidity Application Notification to the Holder of the Contested RCD received by OHIM on Dec. 20, 2013 for Registration No. 001809104-0022, published Jul. 23, 2013.
 Receipt of an Invalidity Application Notification to the Holder of the Contested RCD received by OHIM on Dec. 20, 2013 for Registration No. 001809104-0023, published Jul. 23, 2013.

(56)

References Cited

OTHER PUBLICATIONS

Receipt of an Invalidity Application Notification to the Holder of the Contested RCD received by OHIM on Dec. 20, 2013 for Registration No. 001809104-0001, published Jul. 23, 2013.

Decision of the Third Board of Appeal of Sep. 20, 2013; In Case R 1223/2012-3; *Swedish Match North Europe AB v Skruf Snus AB*

Decision of the Third Board of Appeal of Sep. 20, 2013; In Case R 1224/2012-3; *Swedish Match North Europe AB v Skruf Snus AB*.

Decision of the Third Board of Appeal of Sep. 20, 2013; In Case R 1226/2012-3; *Swedish Match North Europe AB v Skruf Snus AB*.

Decision of the Third Board of Appeal of Sep. 20, 2013; In Case R 1225/2012-3; *Swedish Match North Europe AB v Skruf Snus AB*.

Decision of the Third Board of Appeal of Dec. 3, 2013; In Case R 1803/2012-3; *Skruf Snus AB v Swedish Match North Europe AB*.

Response to Application for Declaration of Invalidity by Swedish Match North Europe AB in respect of European Community Design Registration No. 001809104-0001, filed with OHIM on Mar. 20, 2014.

Response to Application for Declaration of Invalidity by Swedish Match North Europe AB in respect of European Community Design Registration No. 001809104-0003, filed with OHIM on Mar. 20, 2014.

Response to Application for Declaration of Invalidity by Swedish Match North Europe AB concerning European Community Design Registration No. 001809104-0004, filed with OHIM on Mar. 20, 2014.

Response to Application for Declaration of Invalidity by Swedish Match North Europe AB concerning European Community Design Registration No. 001809104-0008, filed with OHIM on Mar. 20, 2014.

Response to Application for Declaration of Invalidity by Swedish Match North Europe AB concerning European Community Design Registration No. 001809104-0012, filed with OHIM on Mar. 20, 2014.

Response to Application for Declaration of Invalidity by Swedish Match North Europe AB concerning European Community Design Registration No. 001809104-0013, filed with OHIM on Mar. 20, 2014.

Response to Application for Declaration of Invalidity by Swedish Match North Europe AB concerning European Community Design Registration No. 001809104-0014, filed with OHIM on Mar. 20, 2014.

Response to Application for Declaration of Invalidity by Swedish Match North Europe AB concerning European Community Design Registration No. 001809104-0015, filed with OHIM on Mar. 20, 2014.

Response to Application for Declaration of Invalidity by Swedish Match North Europe AB concerning European Community Design Registration No. 001809104-0017, filed with OHIM on Mar. 20, 2014.

Response to Application for Declaration of Invalidity by Swedish Match North Europe AB concerning European Community Design Registration No. 001809104-0018, filed with OHIM on Mar. 20, 2014.

Response to Application for Declaration of Invalidity by Swedish Match North Europe AB concerning European Community Design Registration No. 001809104-0019, filed with OHIM on Mar. 20, 2014.

Response to Application for Declaration of Invalidity by Swedish Match North Europe AB concerning European Community Design Registration No. 001809104-0021, filed with OHIM on Mar. 20, 2014.

Response to Application for Declaration of Invalidity by Swedish Match North Europe AB concerning European Community Design Registration No. 001809104-0022, filed with OHIM on Mar. 20, 2014.

Response to Application for Declaration of Invalidity by Swedish Match North Europe AB concerning European Community Design Registration No. 001809104-0023, filed with OHIM on Mar. 20, 2014.

Annex 1 of Responses to Applications for Declaration of Invalidity by Swedish Match North Europe AB concerning European Community Design Registration No. 001809104—point of sale display at a convenience store/newsagent in Sweden in Apr. 2013.

Annex 2 of Responses to Applications for Declaration of Invalidity by Swedish Match North Europe AB concerning European Community Design Registration No. 001809104—point of sale display at another convenience store/newsagent in Sweden in Apr. 2013.

Annex 3 of Responses to Applications for Declaration of Invalidity by Swedish Match North Europe AB concerning European Community Design Registration No. 001809104—point of sale display at a petrol station in Sweden in Apr. 2013.

Annex 4 of Responses to Applications for Declaration of Invalidity by Swedish Match North Europe AB concerning European Community Design Registration No. 001809104—print out of an archived a snus selling website from Nov. 19, 2010, shortly before the application date of the Registration—access using Wayback Machine (<http://archive.org/web/>) on Mar. 19, 2014; web address—<http://web.archive.org/web/20101119091056/http://buysnus.com/Search.aspx?Category=2>.

Annex 5 of Responses to Applications for Declaration of Invalidity by Swedish Match North Europe AB concerning European Community Design Registration No. 001809104—print out of an archived copy analogous to Annex 4 (cited above), of the product category “Mixed snus and boxes”; web address—<http://web.archive.org/web/20101119090635/http://buysnus.com/Search.aspx?Category=3>, (Nov. 19, 2010).

Invalidity Application (ICD 9366) concerning Community Design 001809104-0001, entered in OHIM on Jun. 6, 2014.

Invalidity Application (ICD 9365) concerning Community Design 001809104-0003, entered in OHIM on Jun. 6, 2014.

Invalidity Application (ICD 9364) concerning Community Design 001809104-0004, entered in OHIM on Jun. 6, 2014.

Invalidity Application (ICD 9363) concerning Community Design 001809104-0008, entered in OHIM on Jun. 6, 2014.

Invalidity Application (ICD 9362) concerning Community Design 001809104-0012, entered in OHIM on Jun. 6, 2014.

Invalidity Application (ICD 9361) concerning Community Design 001809104-0013, entered in OHIM on Jun. 6, 2014.

Invalidity Application (ICD 9360) concerning Community Design 001809104-0014, entered in OHIM on Jun. 6, 2014.

Invalidity Application (ICD 9359) concerning Community Design 001809104-0015, entered in OHIM on Jun. 6, 2014.

Invalidity Application (ICD 9358) concerning Community Design 001809104-0017, entered in OHIM on Jun. 6, 2014.

Invalidity Application (ICD 9357) concerning Community Design 001809104-0018, entered in OHIM on Jun. 6, 2014.

Invalidity Application (ICD 9356) concerning Community Design 001809104-0019, entered in OHIM on Jun. 6, 2014.

Invalidity Application (ICD 9355) concerning Community Design 001809104-0021, entered in OHIM on Jun. 6, 2014.

Invalidity Application (ICD 9354) concerning Community Design 001809104-0022, entered in OHIM on Jun. 6, 2014.

Invalidity Application (ICD 9353) concerning Community Design 001809104-0023, entered in OHIM on Jun. 6, 2014.

7 Day Pill Box/Medicine Box-Promotion Gift/Plastic Compartment Boxes—2—by Novelty Household Goods Co. Ltd. (markets and sells boxes which includes multi compartment box)—made available to the public prior to Mar. 14, 2011.

#1206 Round Compartment Box—by Oppenheim Plastic Company Inc. (markets and sells boxes which includes multi compartment box)—made available to the public prior to Mar. 14, 2011.

10" Round 6 Compartment Tub 64oz—by Atlantic Can Co. (markets and sells boxes which includes multi compartment box)—made available to the public prior to Mar. 14, 2011.

10" Round 7 Compartment Tub 64oz—by Atlantic Can Co. (markets and sells boxes which includes multi compartment box)—made available to the public prior to Mar. 14, 2011.

Round 6 Compartment Organizer—by Amazon.com Inc. (markets and sells boxes which includes multi compartment box)—made available to the public prior to Mar. 14, 2011.

(56)

References Cited

OTHER PUBLICATIONS

32 oz. 4 Compartment Tub use with Lid #261040—by The Brenmar Company (markets and sells boxes which includes four compartment box)—made available to the public prior to Mar. 14, 2011.
Hello Kitty Say Hello Palette—Happy Fun—by Sephora USA Inc. (markets and sells boxes which includes four compartment box)—made available to the public prior to Mar. 14, 2011.
Highlighter Quads—by Face Stockholm AB (markets and sells boxes which includes four compartment box)—made available to the public prior to Mar. 2011.
Ningo Bestar Co. Ltd.—markets and sells products in boxes (includes four compartment box)—made available to the public prior to Mar. 14, 2011.
10" Round 4 Compartment 44oz—by Atlantic Can Co. (markets and sells boxes which includes four compartment box)—made available to the public prior to Mar. 2011.
96 oz 3 Compartment Tub use with Lid #260473 9-3/4" diameter—by the Brenmar Company (markets and sells boxes which includes three compartment box)—made available to the public prior to Mar. 14, 2011.

Cover All Mix—by Make Up Store AB (markets and sells boxes which includes three compartment box)—made available to the public prior to Mar. 14, 2011.

Traveller—Round—Hinged Stainless Steel Pill Box Case with 3 Compartments—by Ningo Bestar Co. (markets and sells boxes which includes three compartment box)—made available to the public prior to Mar. 14, 2011.

Administrative Review of the Design Registration No. 083275—submission of claims—dated Oct. 15, 2013; Filed by Swedish Match North Europe AB; Holder—British American Tobacco (Investments) Ltd.

An Administrative Review filed by Swedish Match North Europe AB—for Design No. 083275, dated Dec. 10, 2013; Filed by British American Tobacco (Investments) Ltd.

Administrative Review of the Design Registration No. 083275—dated Mar. 27, 2014—Filed by Swedish Match North AB; Holder—British American Tobacco (Investments) Ltd.

An Administrative Review filed by Swedish Match North Europe AB—for Design No. 083275, dated May 20, 2014; Filed by British American Tobacco (Investments) Ltd.

* cited by examiner

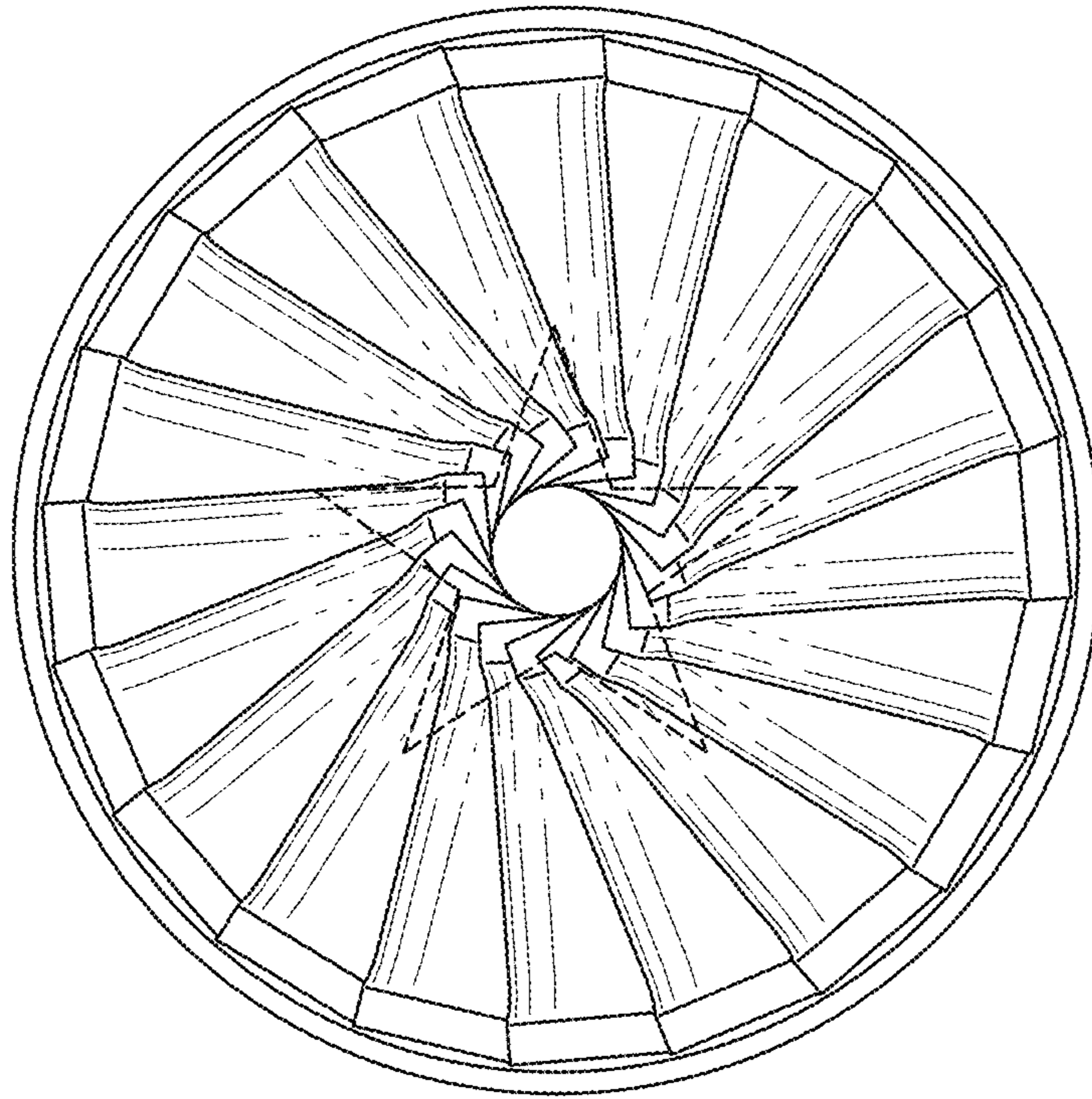


FIG. 1

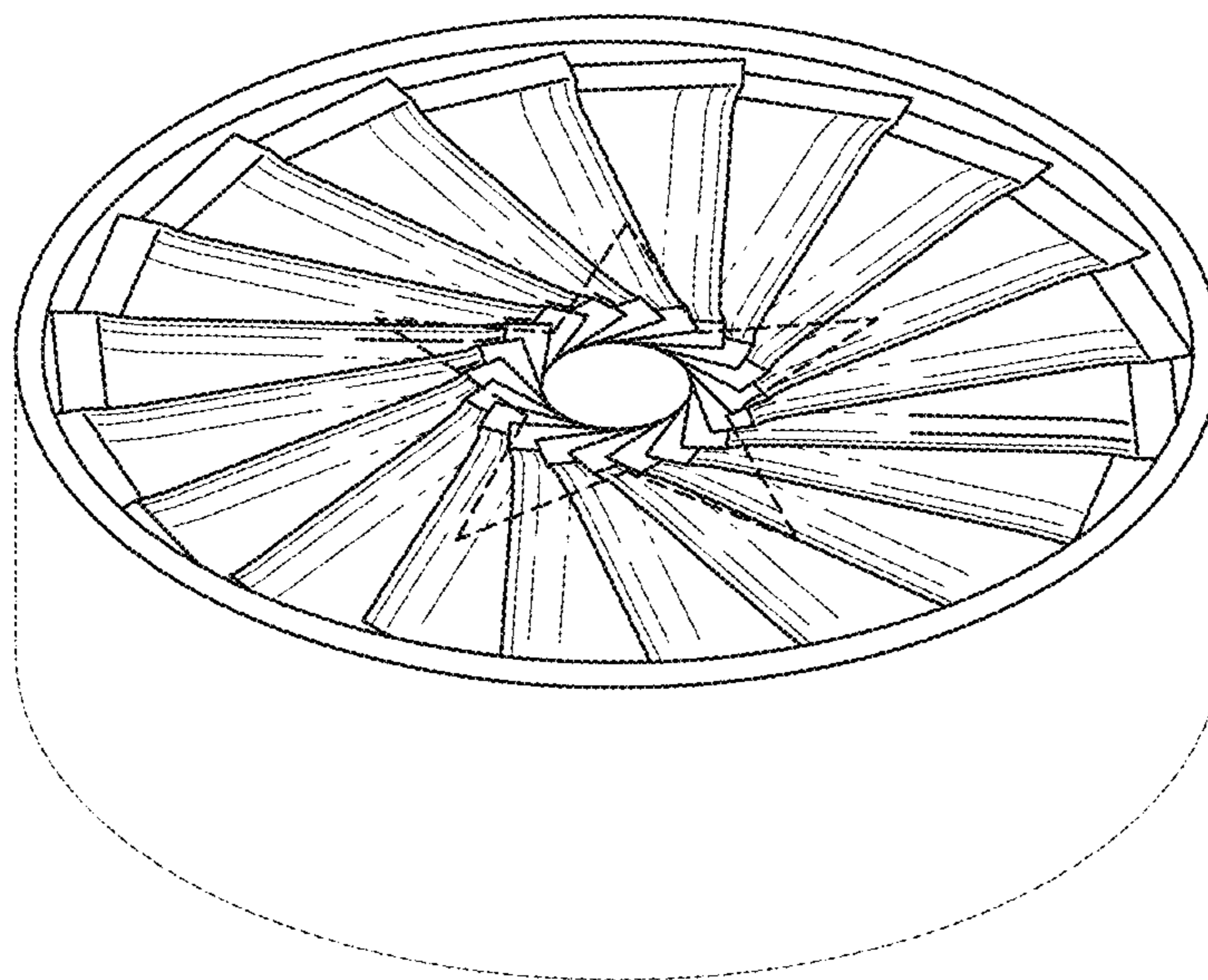


FIG. 2