



US00D822503S

(12) **United States Design Patent**
Moynihan

(10) **Patent No.:** **US D822,503 S**
(45) **Date of Patent:** **** Jul. 10, 2018**

(54) **FLUID CONTAINER AND DISPENSER**

(71) Applicant: **Dave E. Moynihan**, Penfield, NY (US)

(72) Inventor: **Dave E. Moynihan**, Penfield, NY (US)

(**) Term: **15 Years**

(21) Appl. No.: **29/505,881**

(22) Filed: **Mar. 28, 2016**

(51) **LOC (11) Cl.** **09-05**

(52) **U.S. Cl.**

USPC **D9/707**

(58) **Field of Classification Search**

USPC D9/702-714, 429-432, 447, 720, 414,
D9/434-435, 696, 716, 771, 522,
D9/571-575, 682, 738-747, 516-517,
D9/529-530, 547-549, 569, 537-538,
D9/544, 503-505, 545; 383/6, 9, 22, 96,
383/61.1, 80-81, 104, 901, 63, 203, 107,
383/119, 120, 123; D24/118, 207;
222/92, 107, 206; 604/316, 403, 410,
604/408; 220/495.03, 669, 675;
215/381-385, 12.1; D3/202, 303, 232,
D3/244

CPC B65D 1/00; B65D 1/0223; B65D 1/24;
B65D 1/38; B65D 1/02; B65D 11/00;
B65D 11/02; B65D 11/04; B65D 11/10;
B65D 11/14; B65D 11/20; B65D 29/00;
B65D 29/02; B65D 29/04; B65D 33/00;
B65D 33/02; B65D 41/00; B65D 41/02;
B65D 81/00; B65D 81/02; B65D 47/00;
B65D 47/02; B65D 47/04; B65D 47/06

See application file for complete search history.

(56) **References Cited**

U.S. PATENT DOCUMENTS

D478,504 S * 8/2003 Crozet D9/708
D680,446 S * 4/2013 Moynihan D9/709
D680,880 S * 4/2013 Johnson D9/709

(Continued)

Primary Examiner — Abraham Bahta

(74) *Attorney, Agent, or Firm* — Theodore J. Bielen, Jr.

(57) **CLAIM**

The ornamental design for a fluid container and dispenser, as shown and described.

DESCRIPTION

FIG. 1 is a top, left side perspective view of a first embodiment of a liquid container and dispenser showing my new design;

FIG. 2 is a front elevational view thereof;

FIG. 3 is a rear elevational view thereof;

FIG. 4 is a top plan view thereof;

FIG. 5 is a left side elevational view, the right side elevational view being a mirror image thereof;

FIG. 6 is a bottom plan view thereof;

FIG. 7 is a top, left side perspective view of a second embodiment of a fluid container and dispenser showing my new design;

FIG. 8 is a front elevational view thereof;

FIG. 9 is a rear elevational view thereof;

FIG. 10 is a top plan view thereof;

FIG. 11 is a left side elevational view, the right side being a mirror image thereof;

FIG. 12 is a bottom plan view thereof;

FIG. 13 is a top, left side perspective view of a third embodiment of a fluid container and dispenser showing my new design;

FIG. 14 is a front elevational view thereof;

FIG. 15 is a rear elevational view thereof;

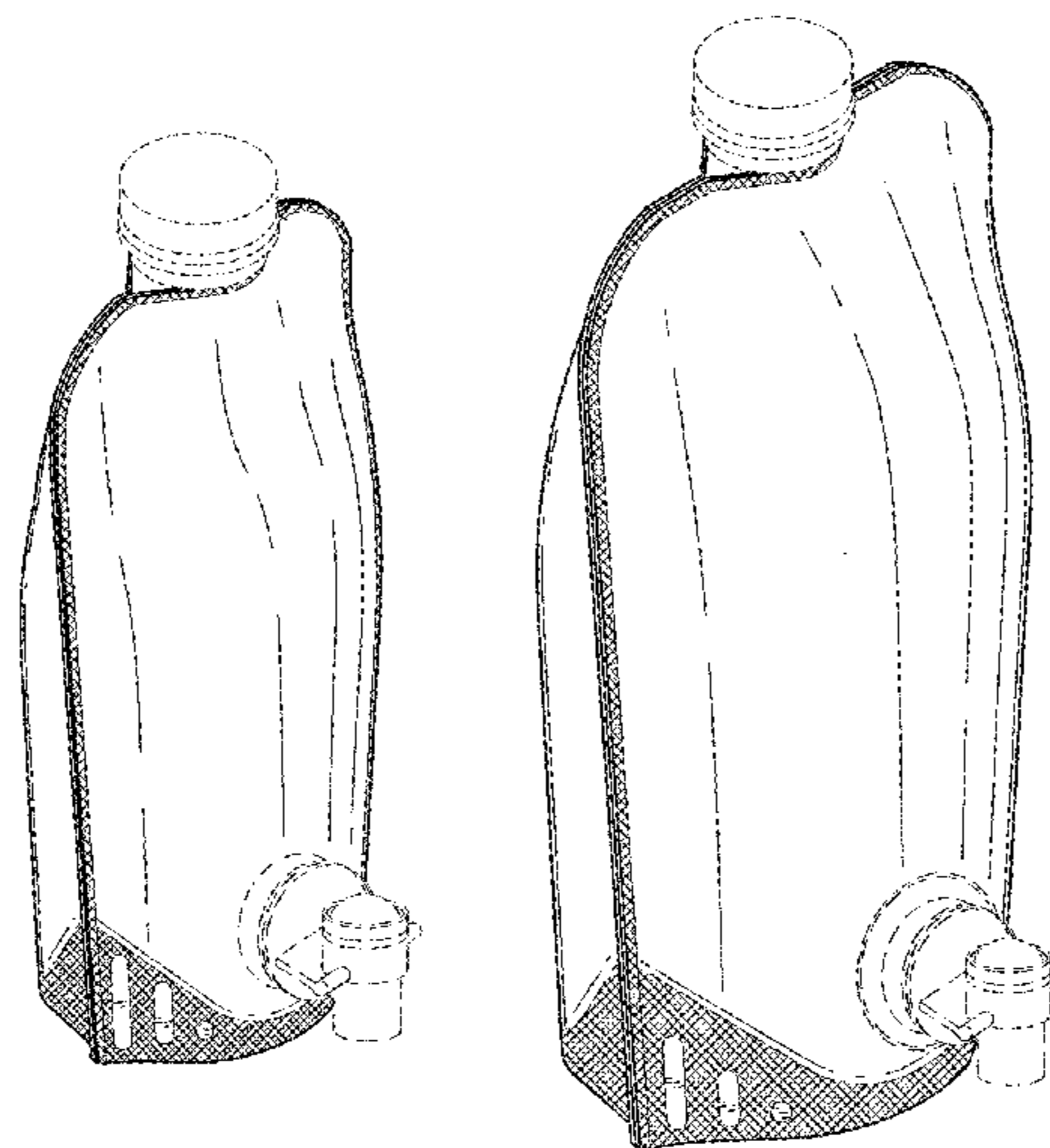
FIG. 16 is a top plan view thereof;

FIG. 17 is a left side elevational view, the right side elevational view being a mirror image thereof; and,

FIG. 18 is a bottom plan view.

The broken line showing of portions of the fluid container and dispenser is included for the purpose of illustrating environment structure and forms no part of the claimed design.

1 Claim, 18 Drawing Sheets



(56)

References Cited

U.S. PATENT DOCUMENTS

D699,128 S *	2/2014	Moynihan	D9/707
D701,774 S *	4/2014	Steigelman	D9/703
D711,251 S *	8/2014	Epstein	D9/707
D785,462 S *	5/2017	Contessa	D9/702

* cited by examiner

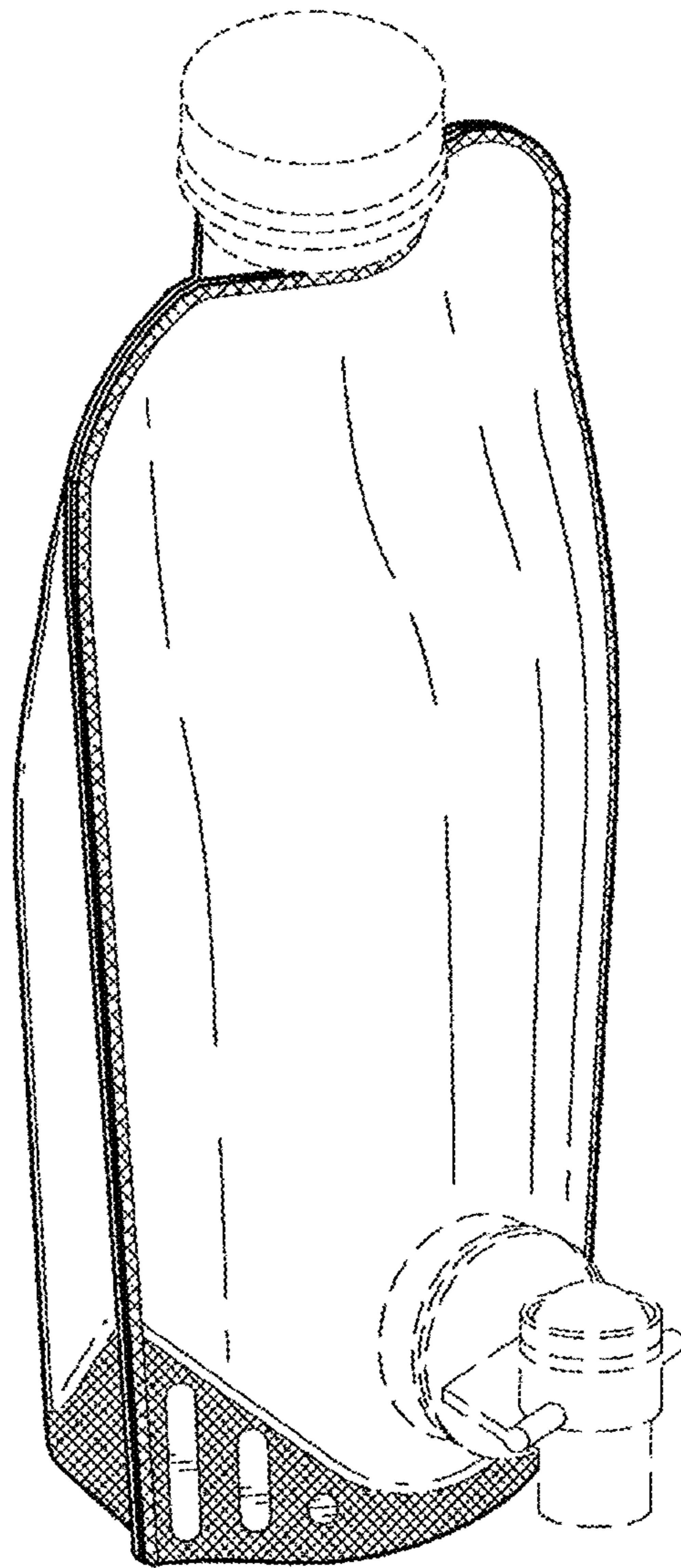


FIG. 1

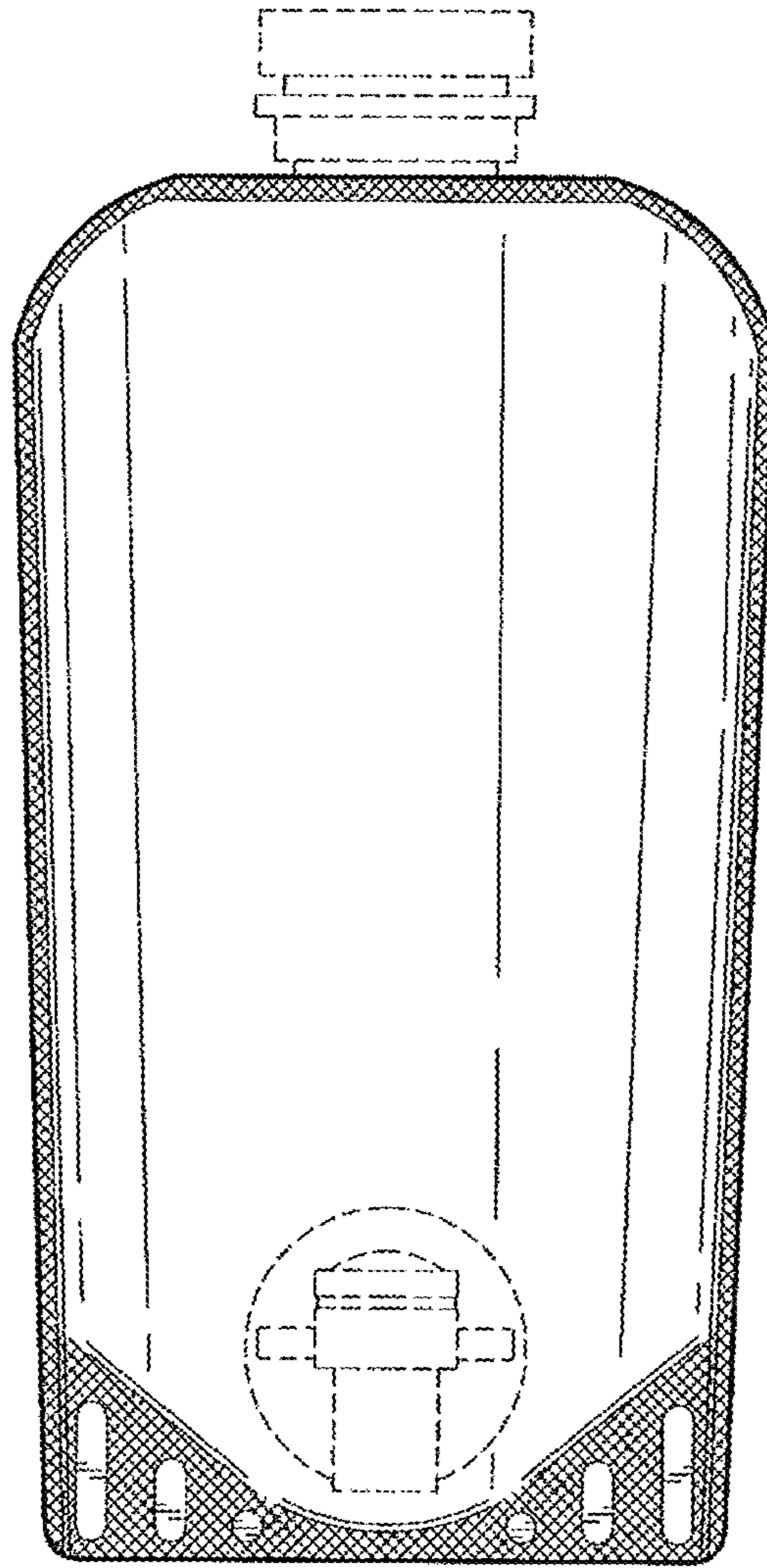


FIG. 2

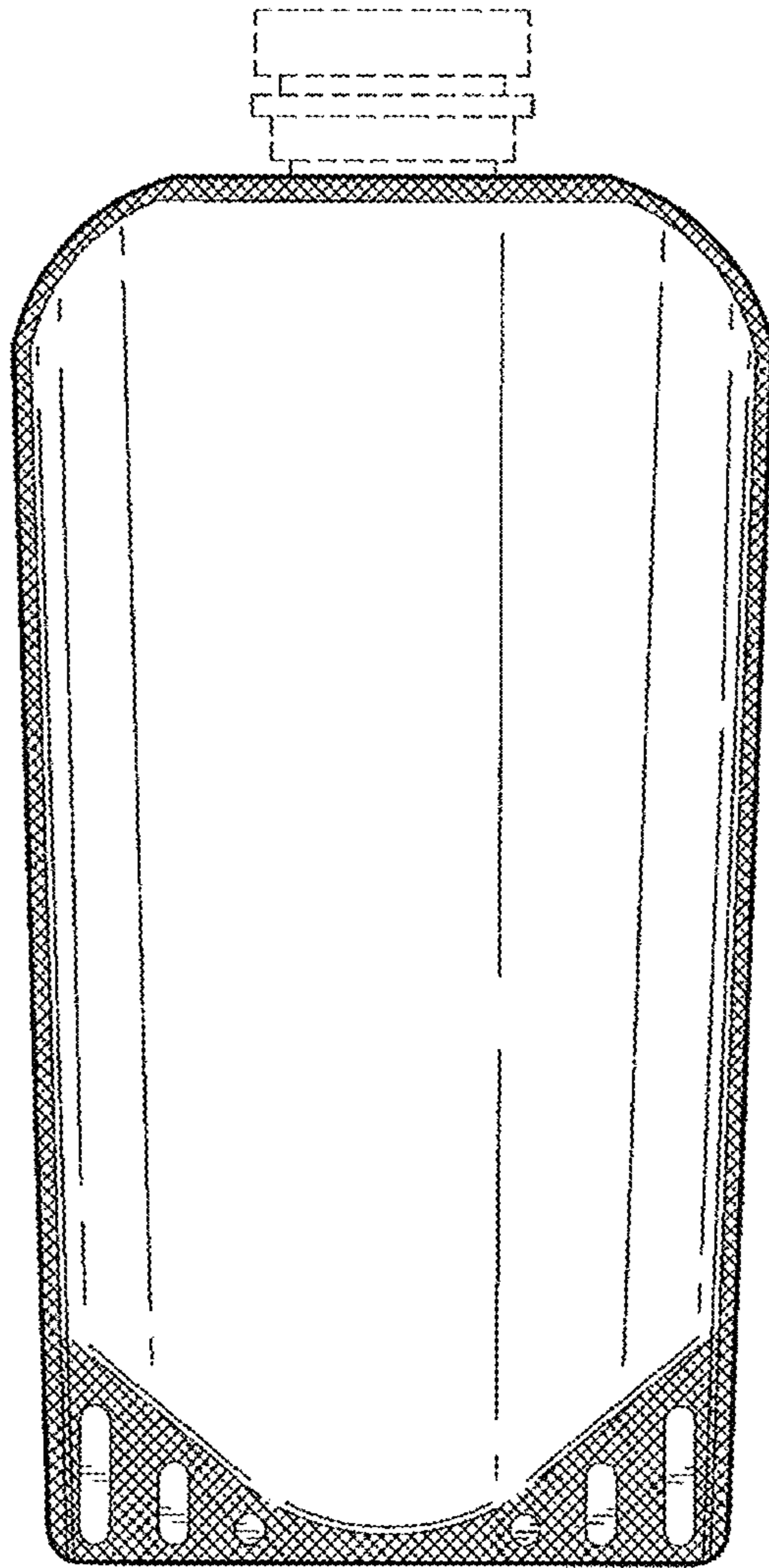


FIG. 3

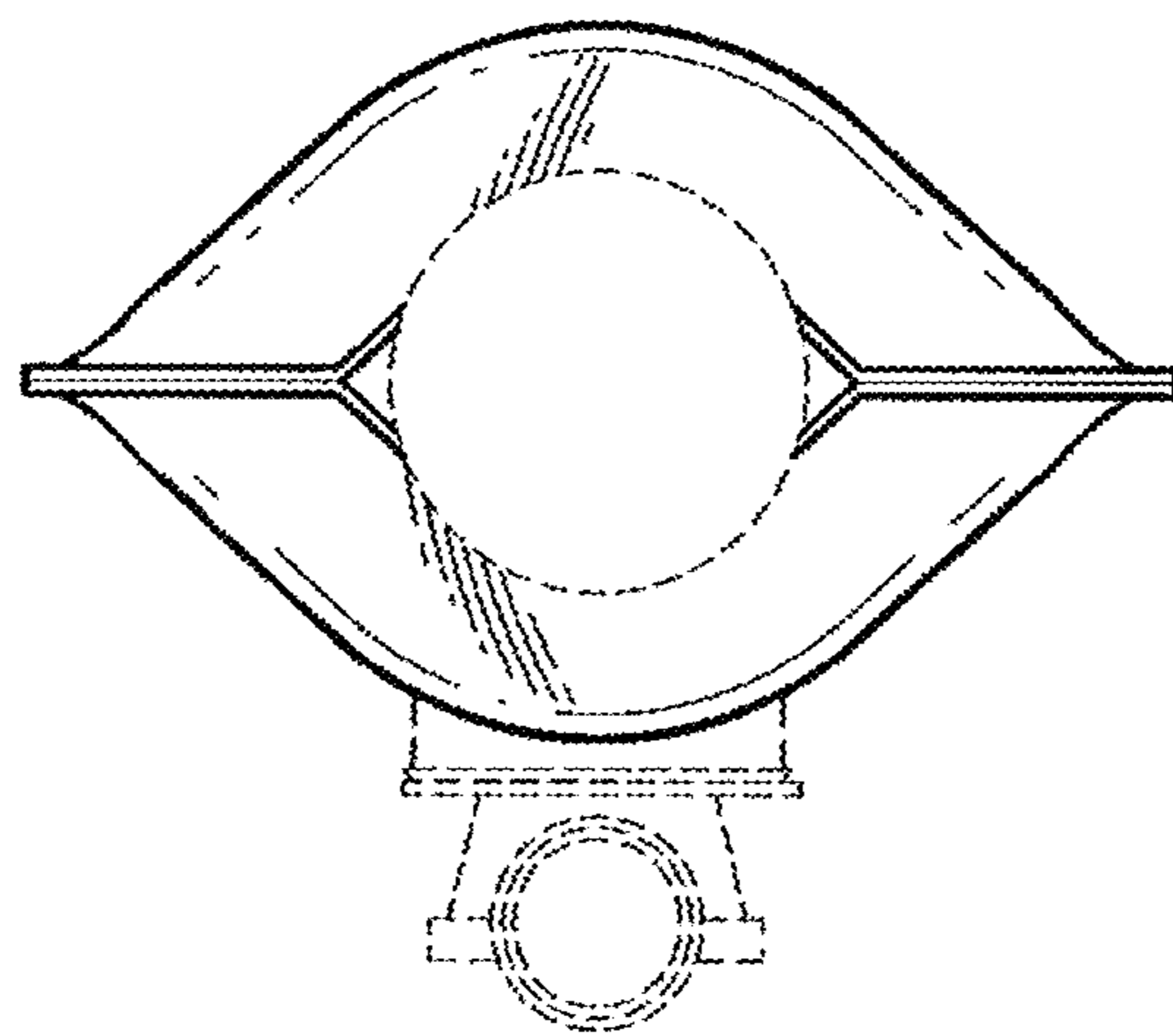


FIG. 4

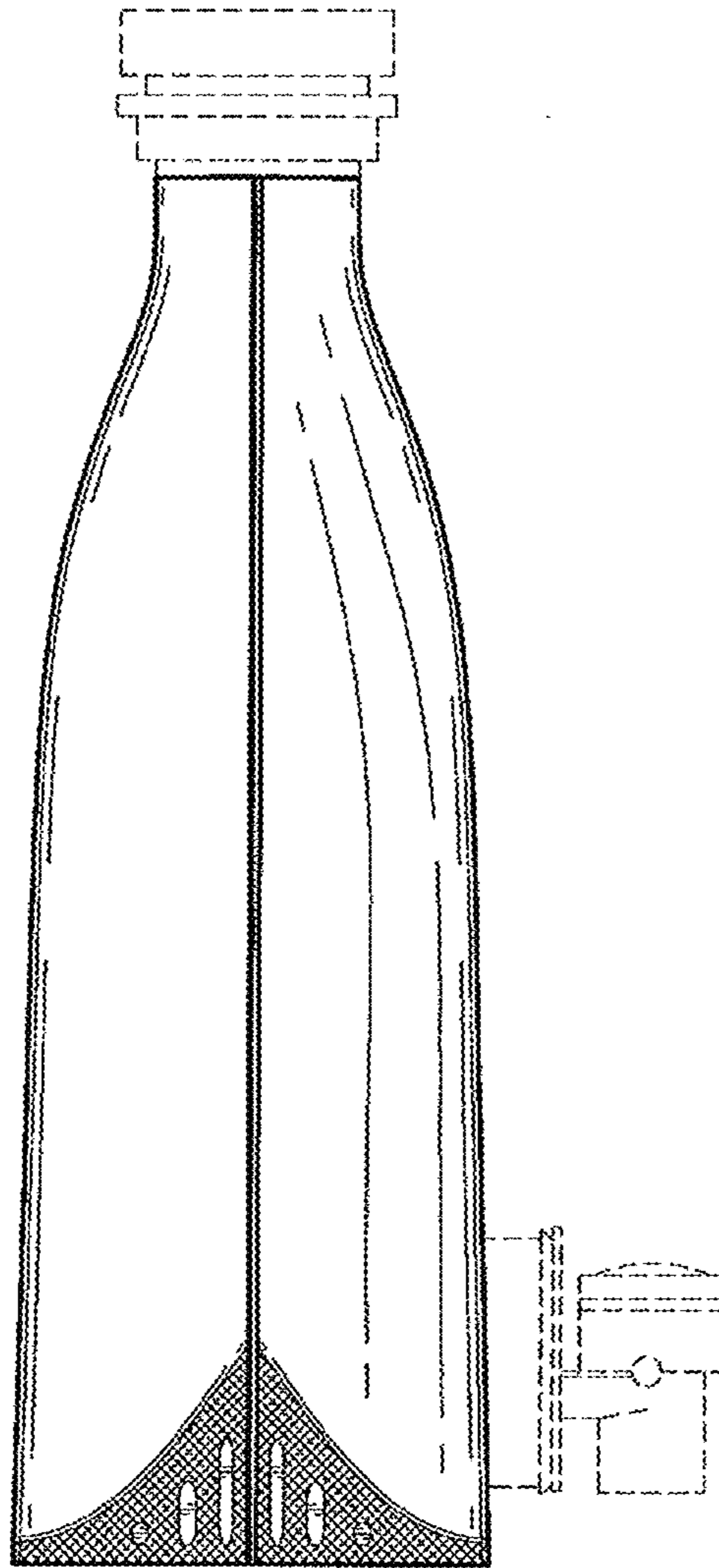


FIG. 5

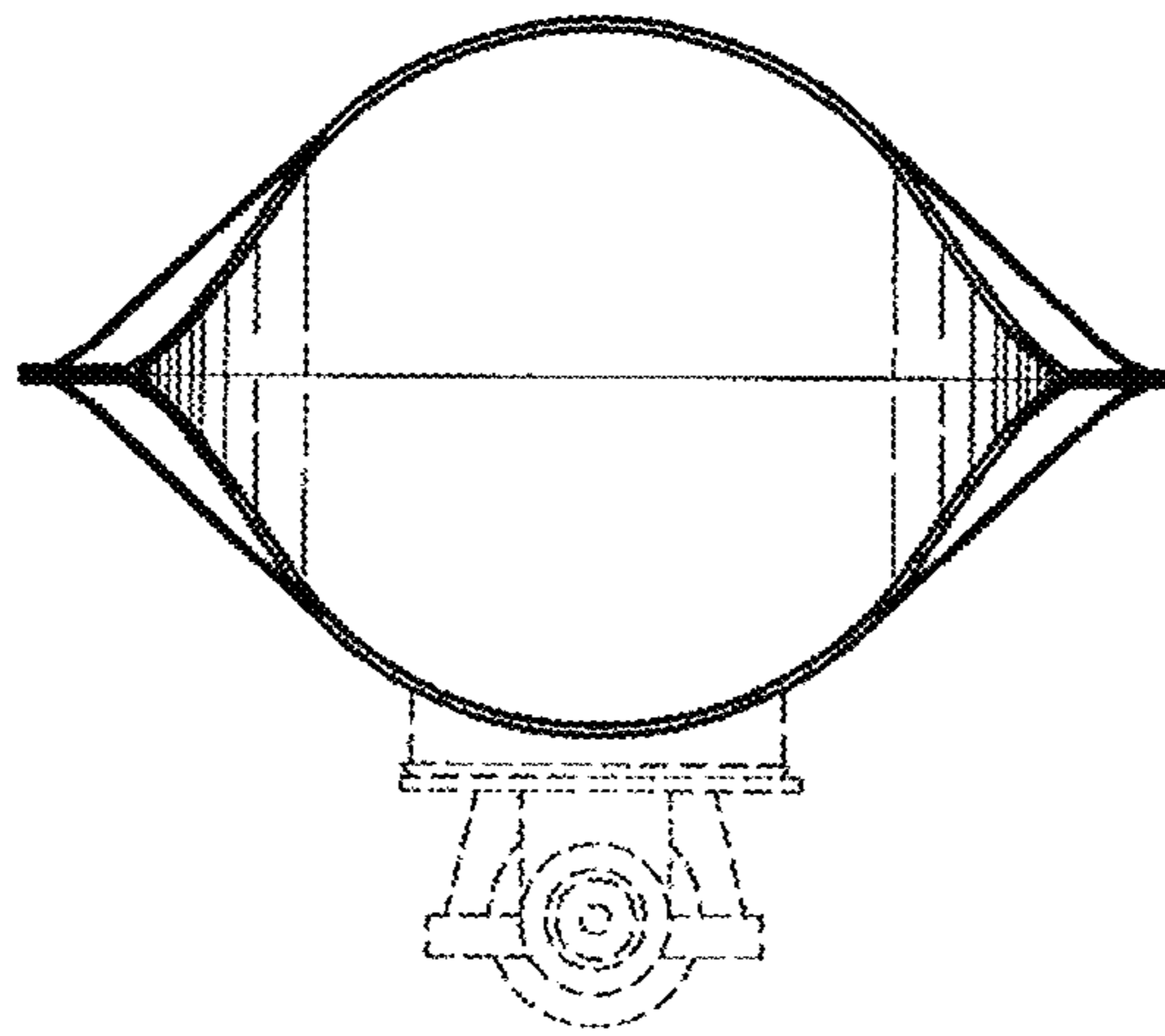


FIG. 6

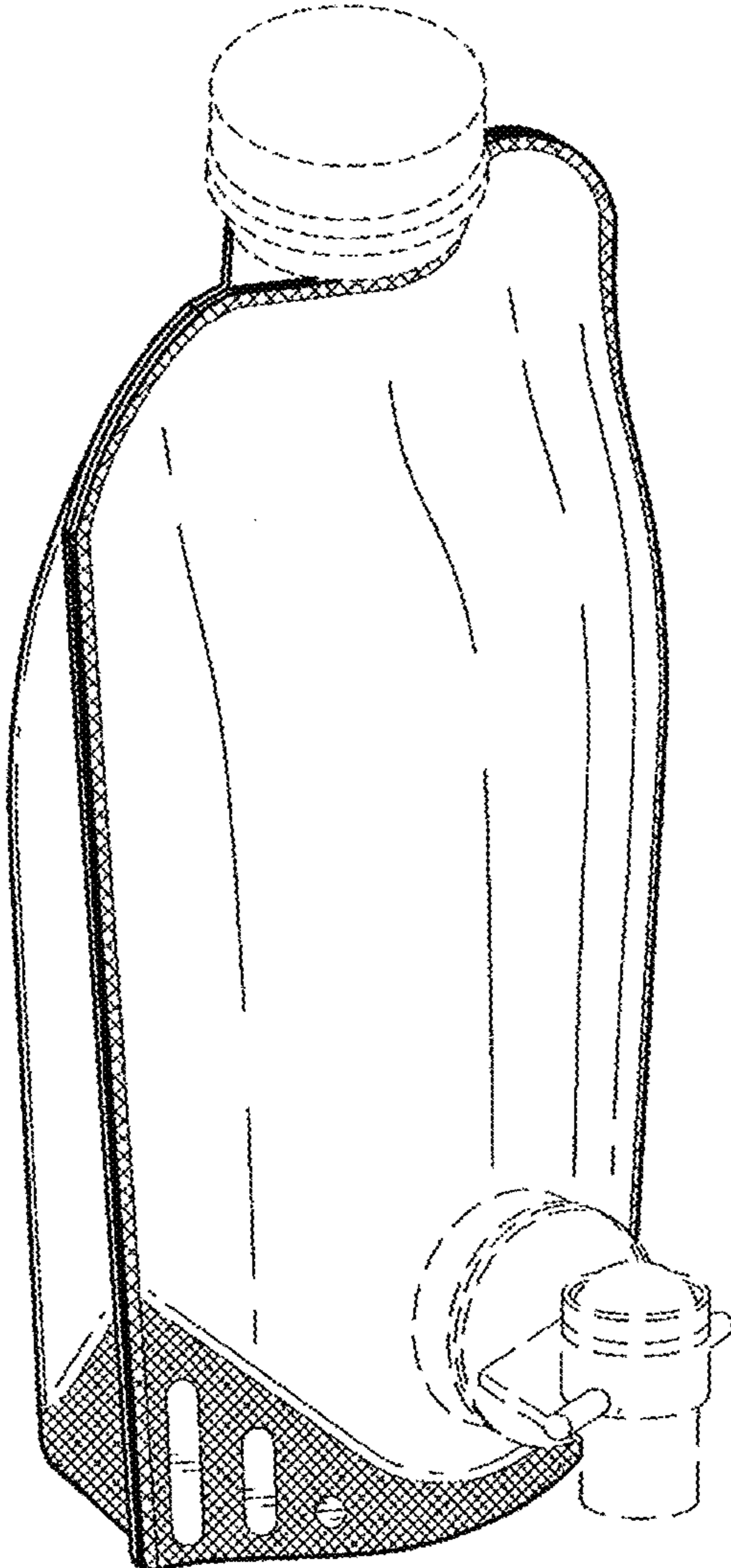


FIG. 7

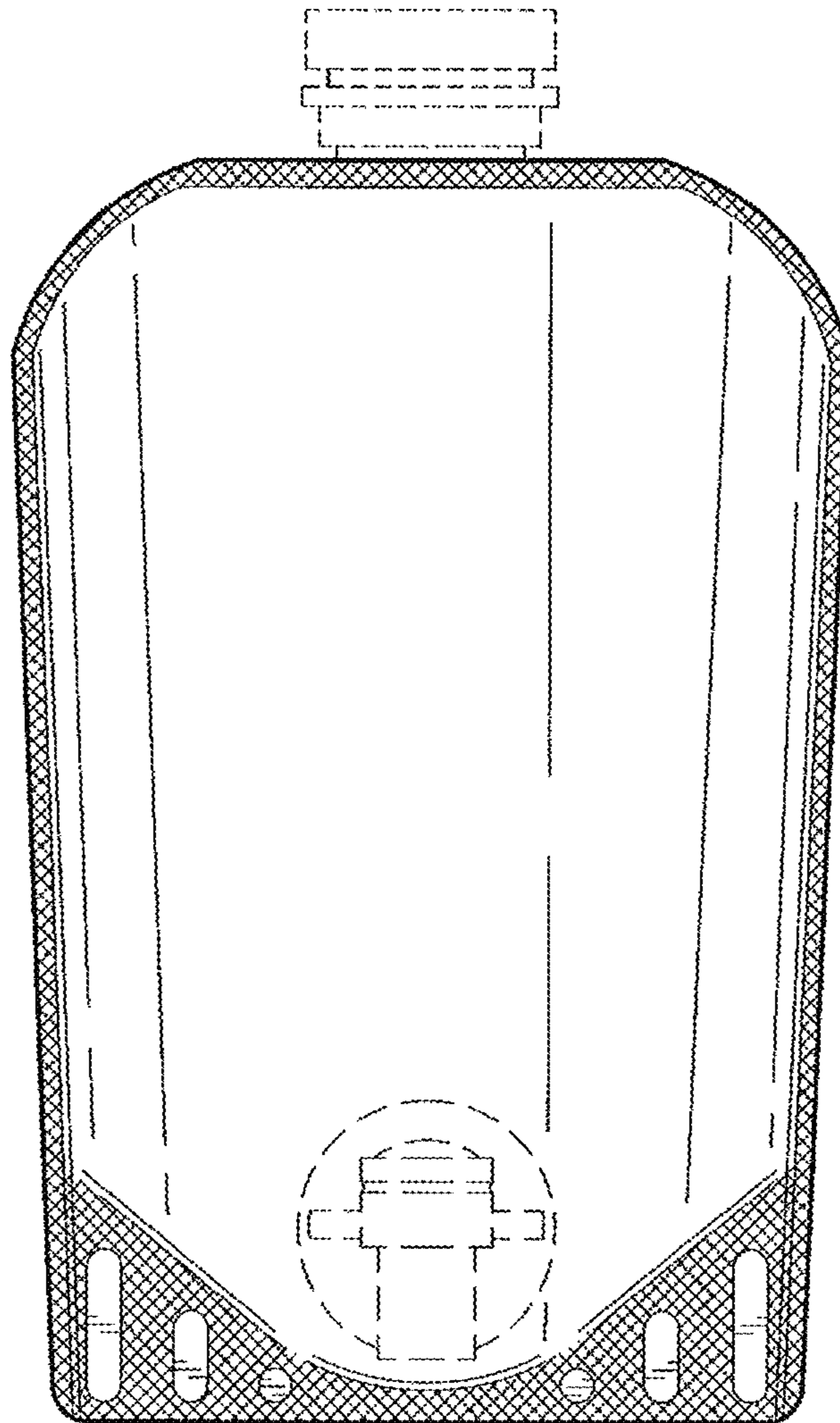


FIG. 8

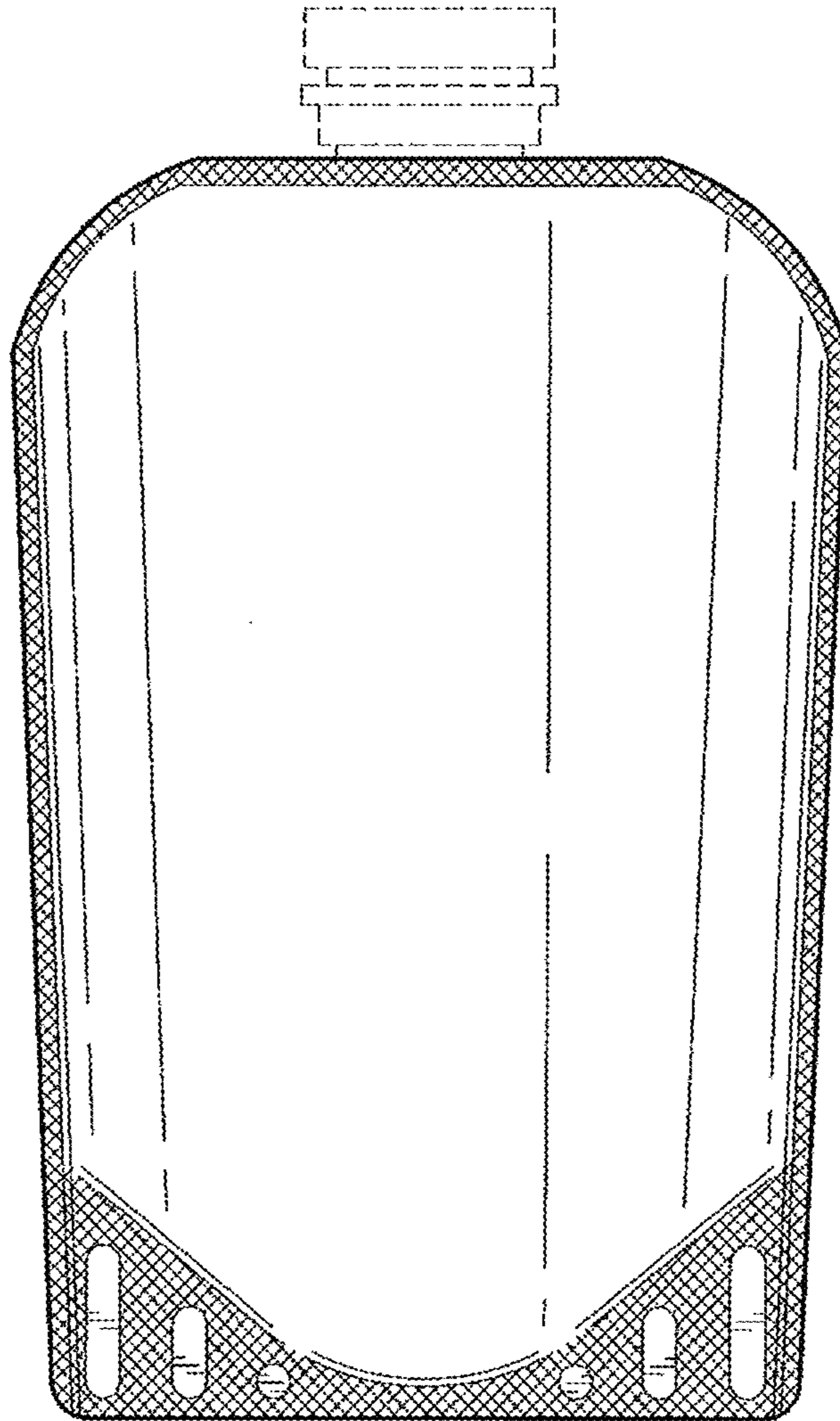


FIG. 9

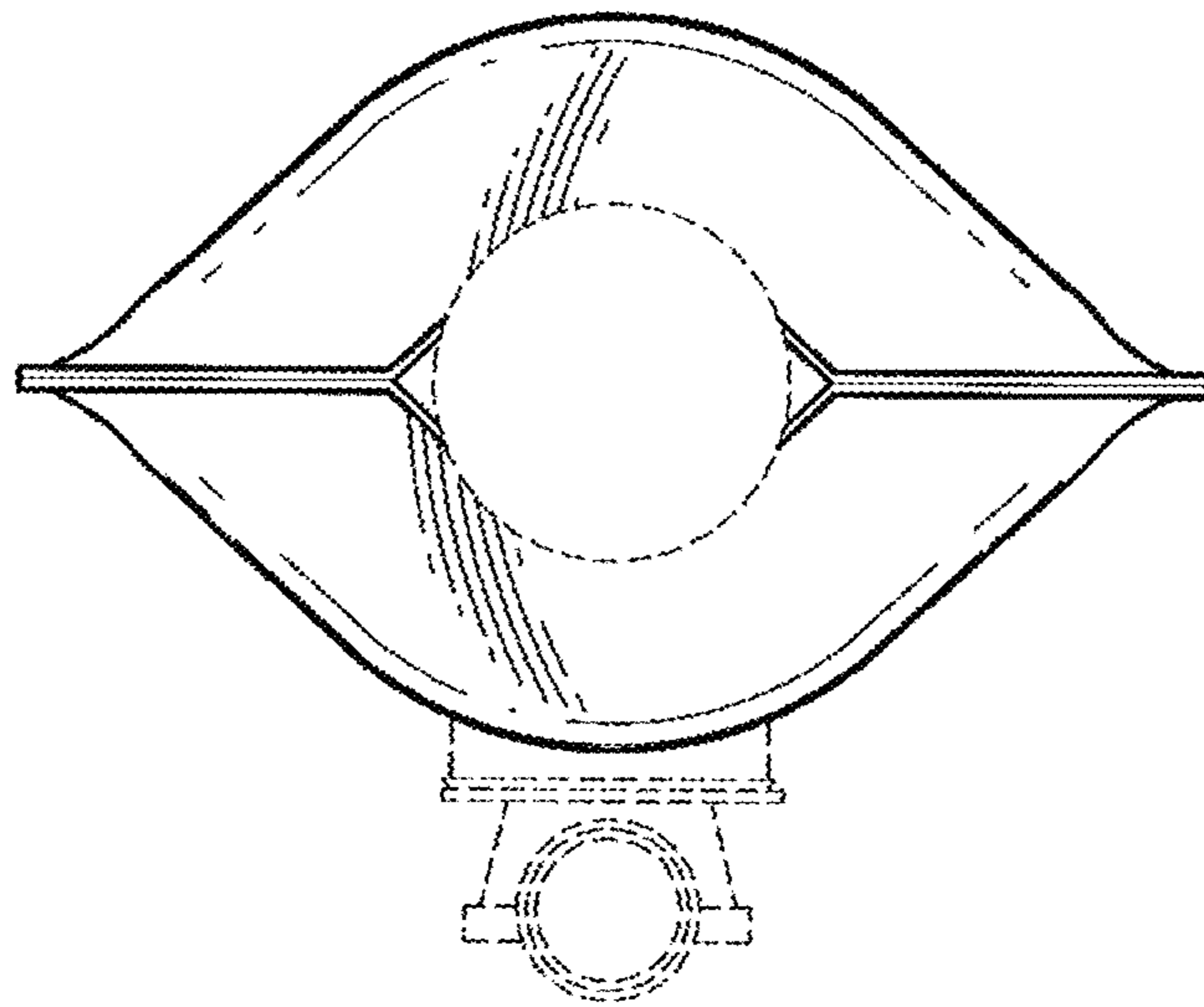


FIG. 10

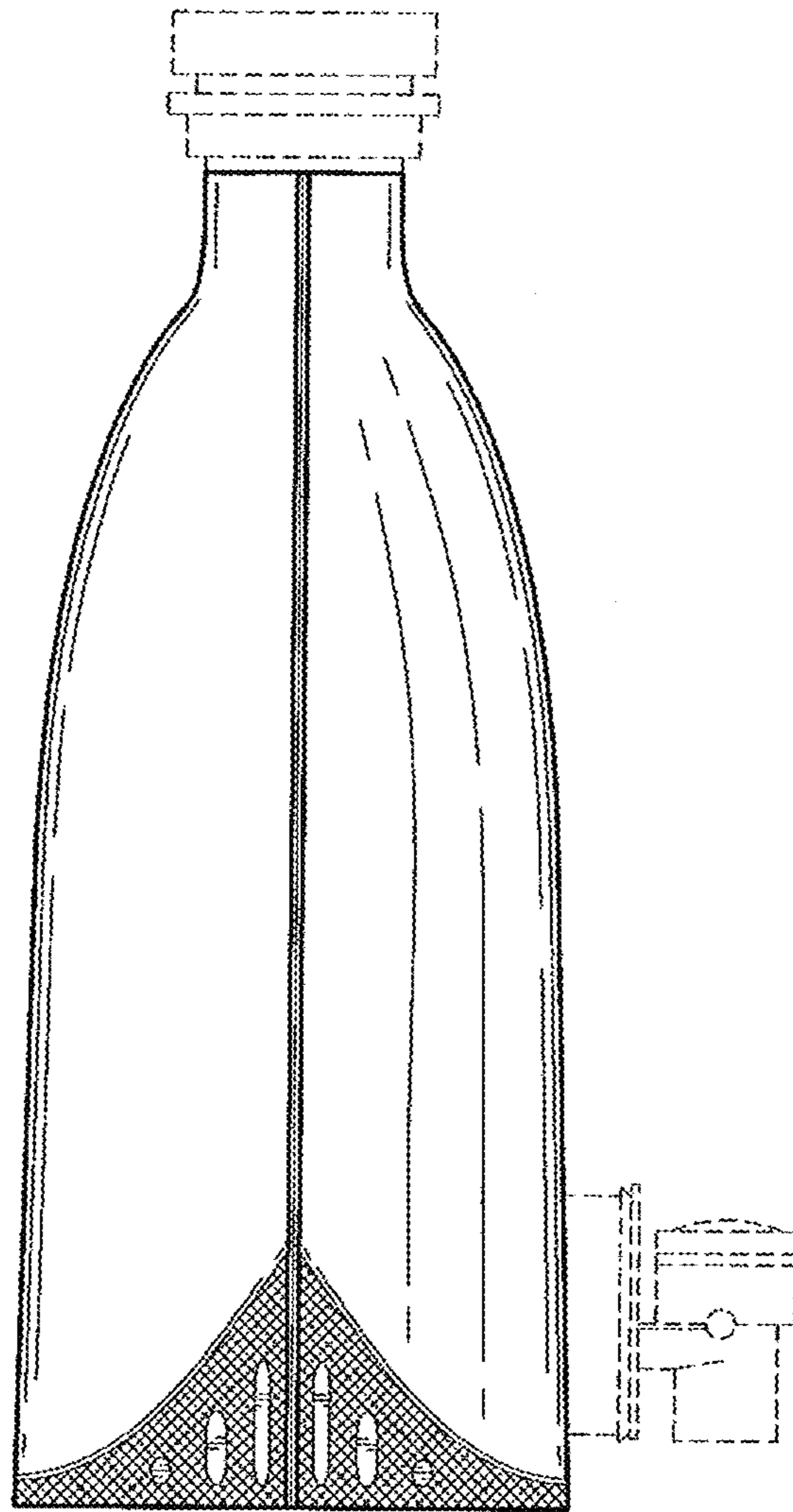


FIG. 11

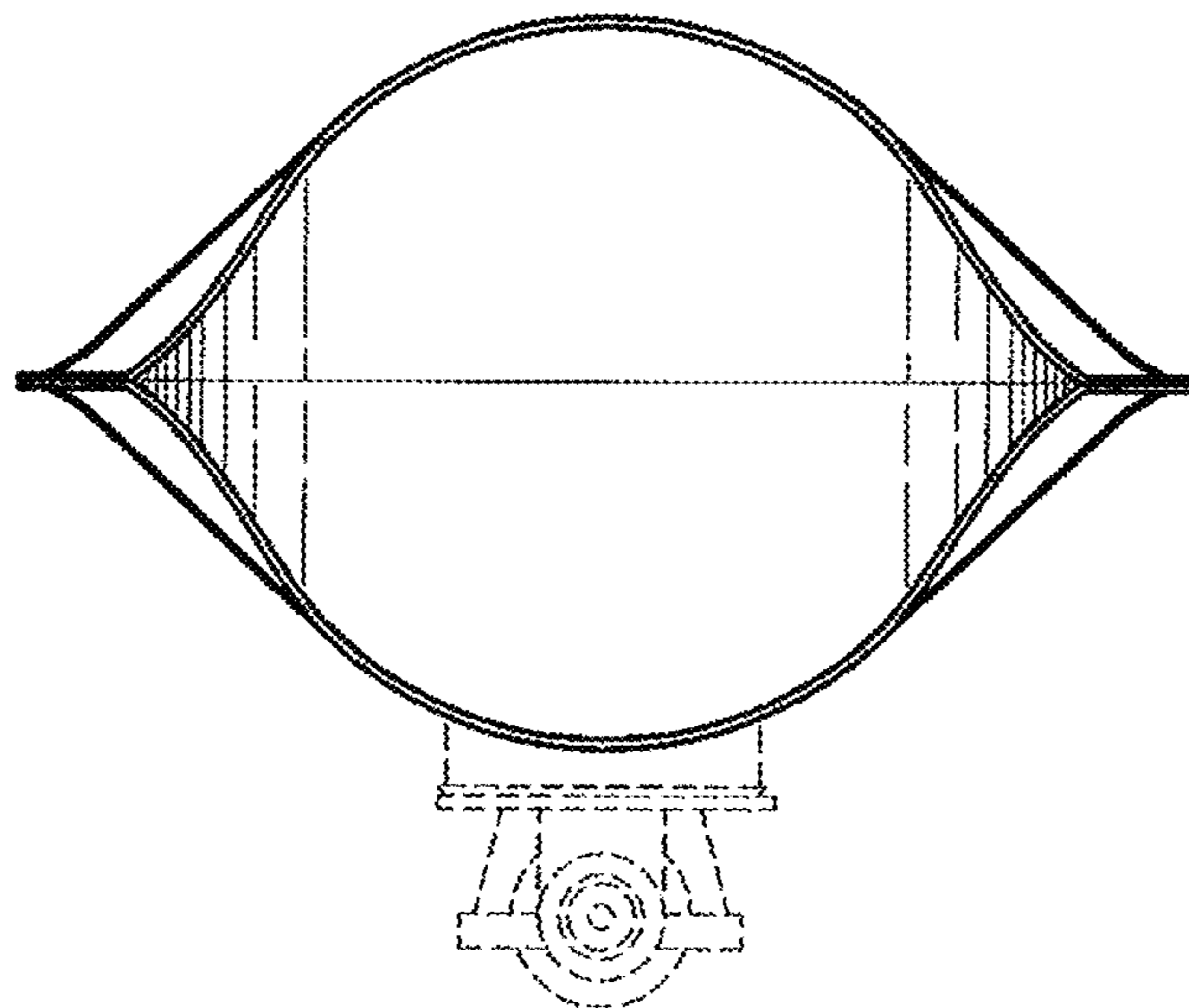


FIG. 12

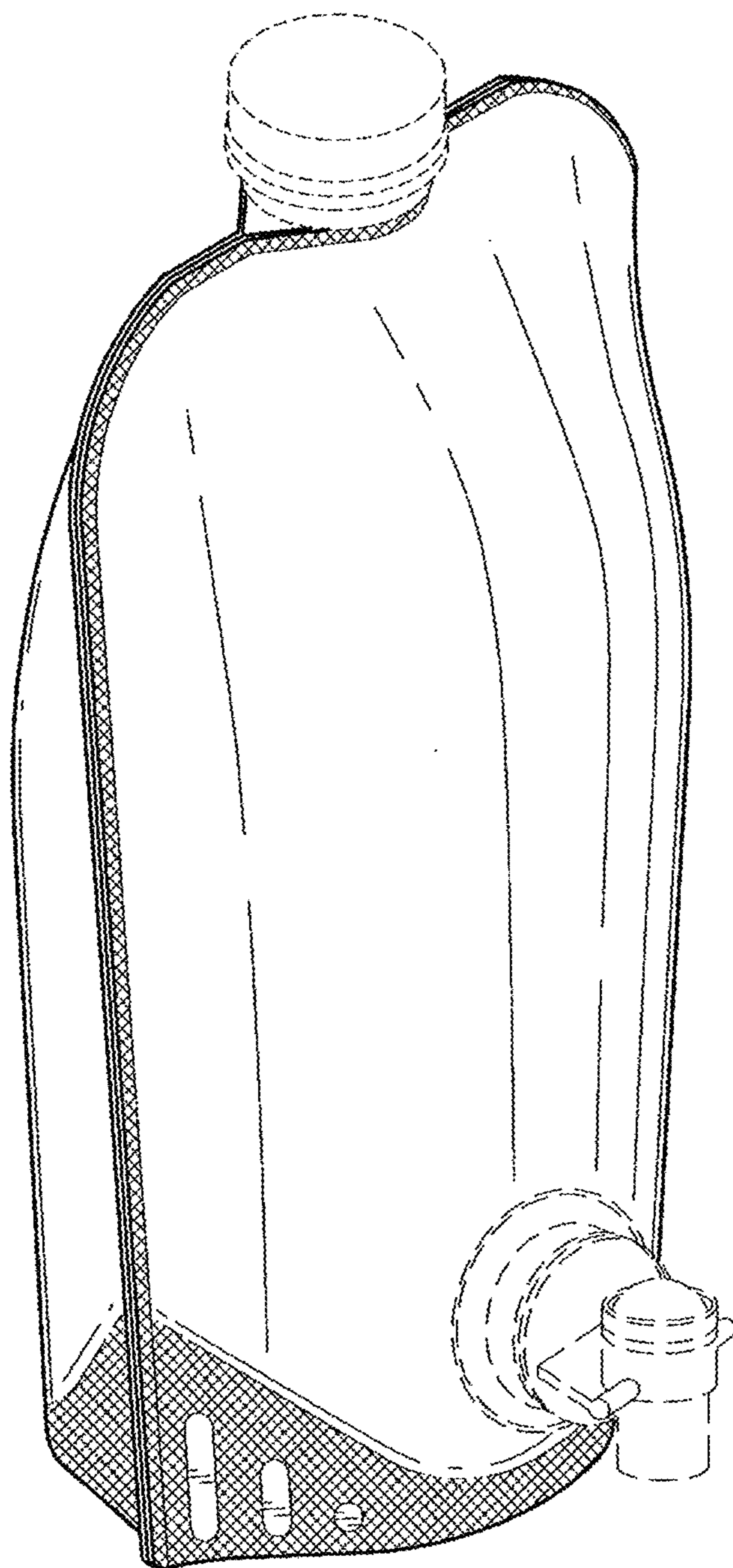


FIG. 13

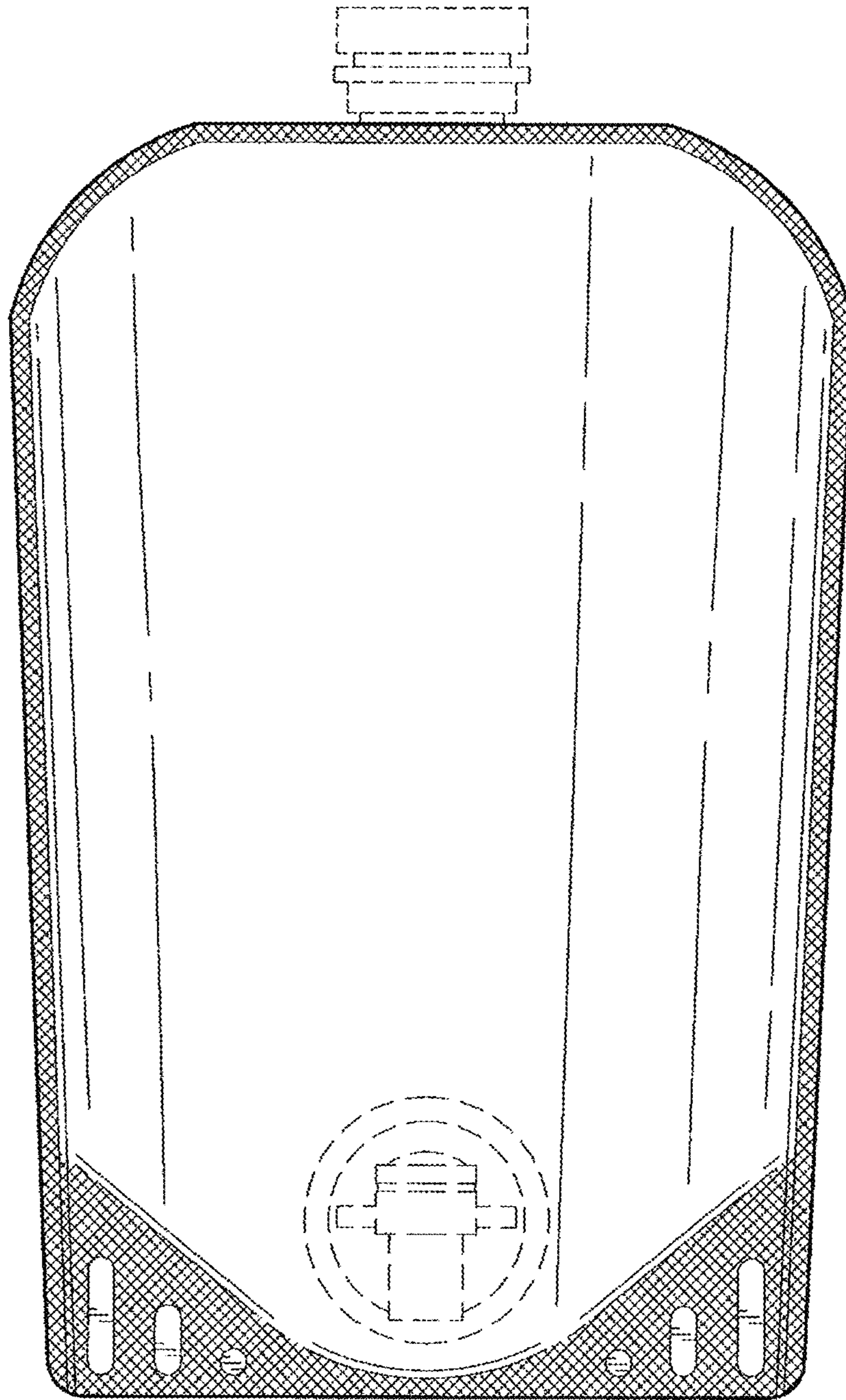


FIG. 14

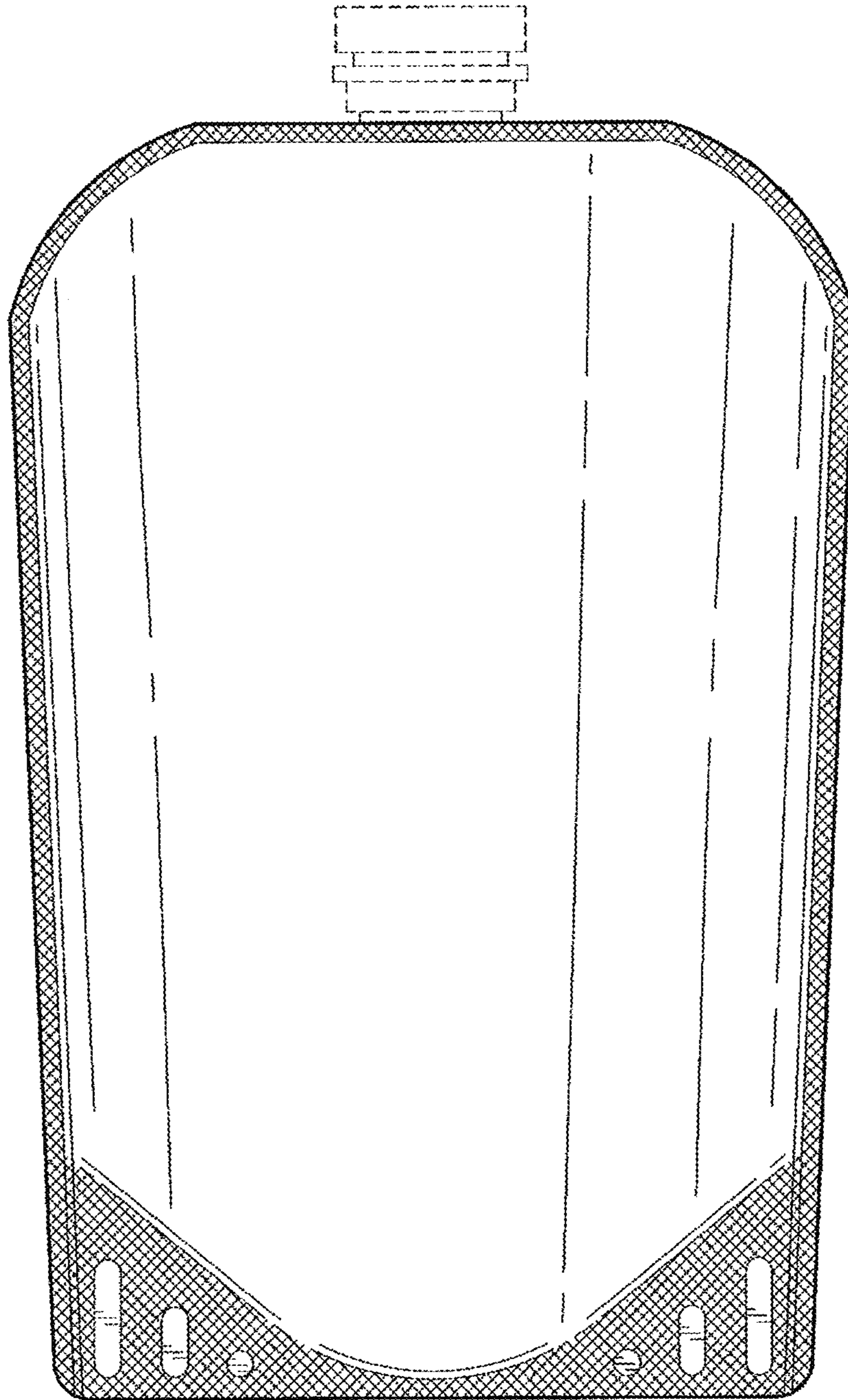


FIG. 15

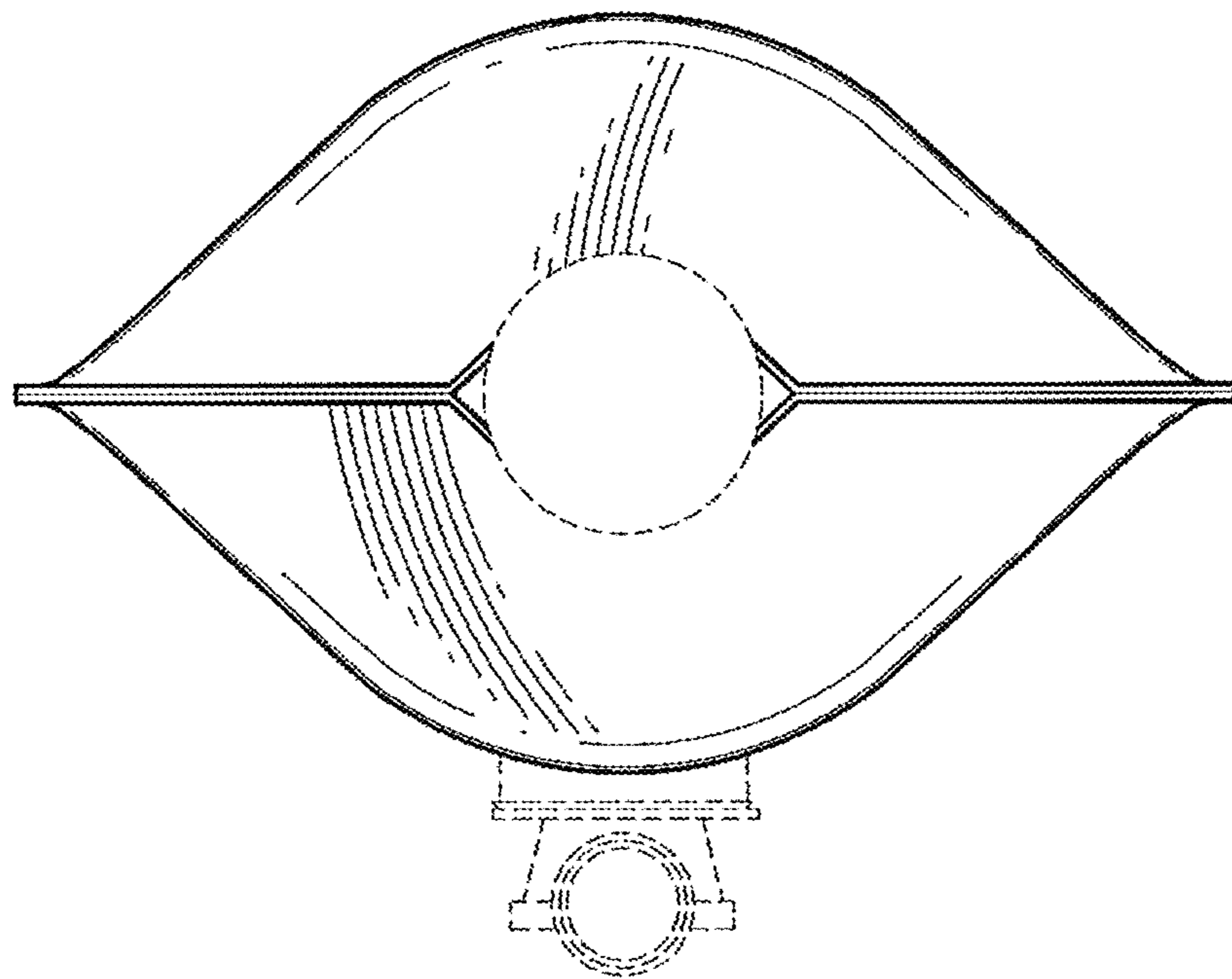


FIG. 16

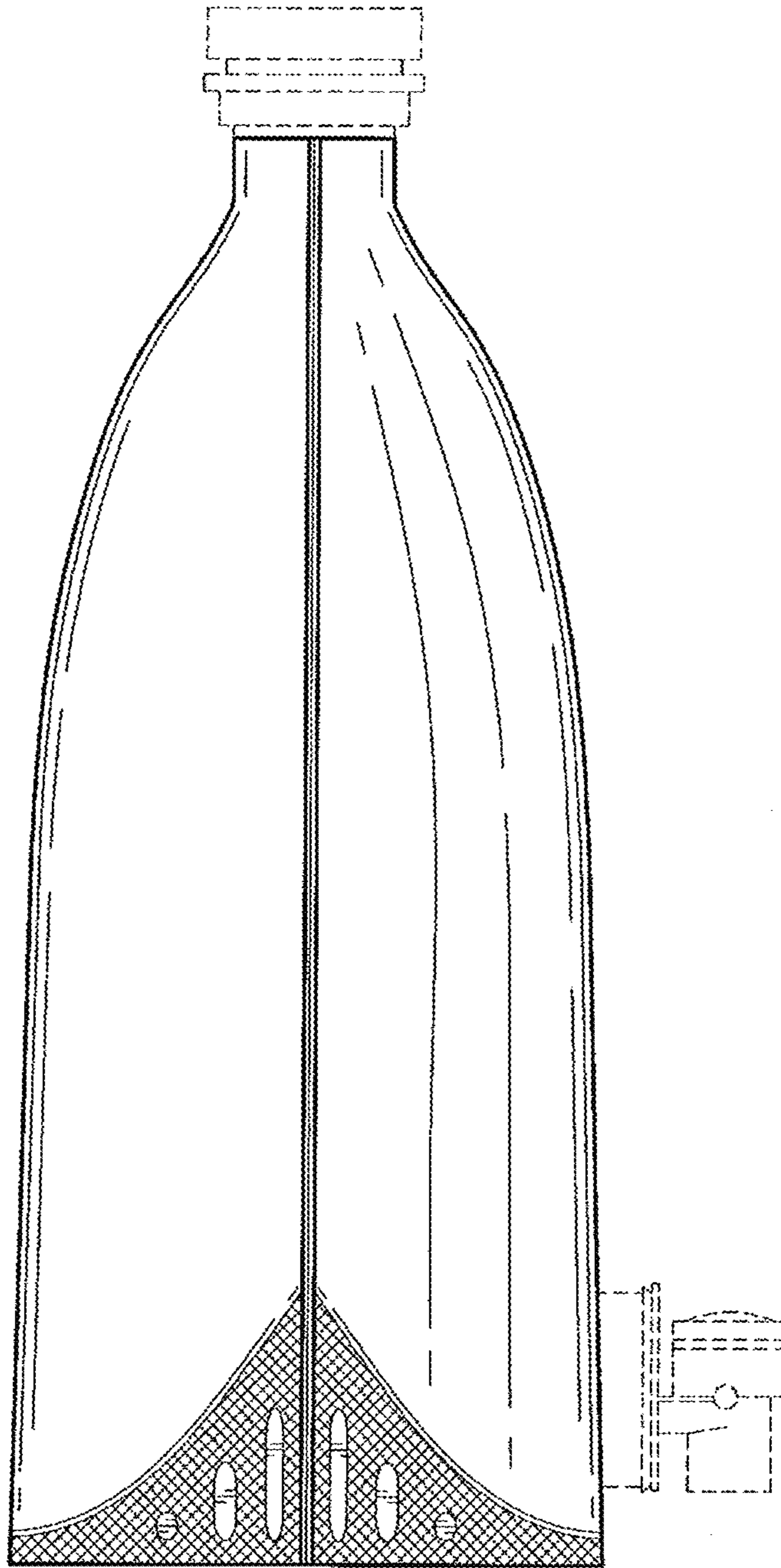


FIG. 17

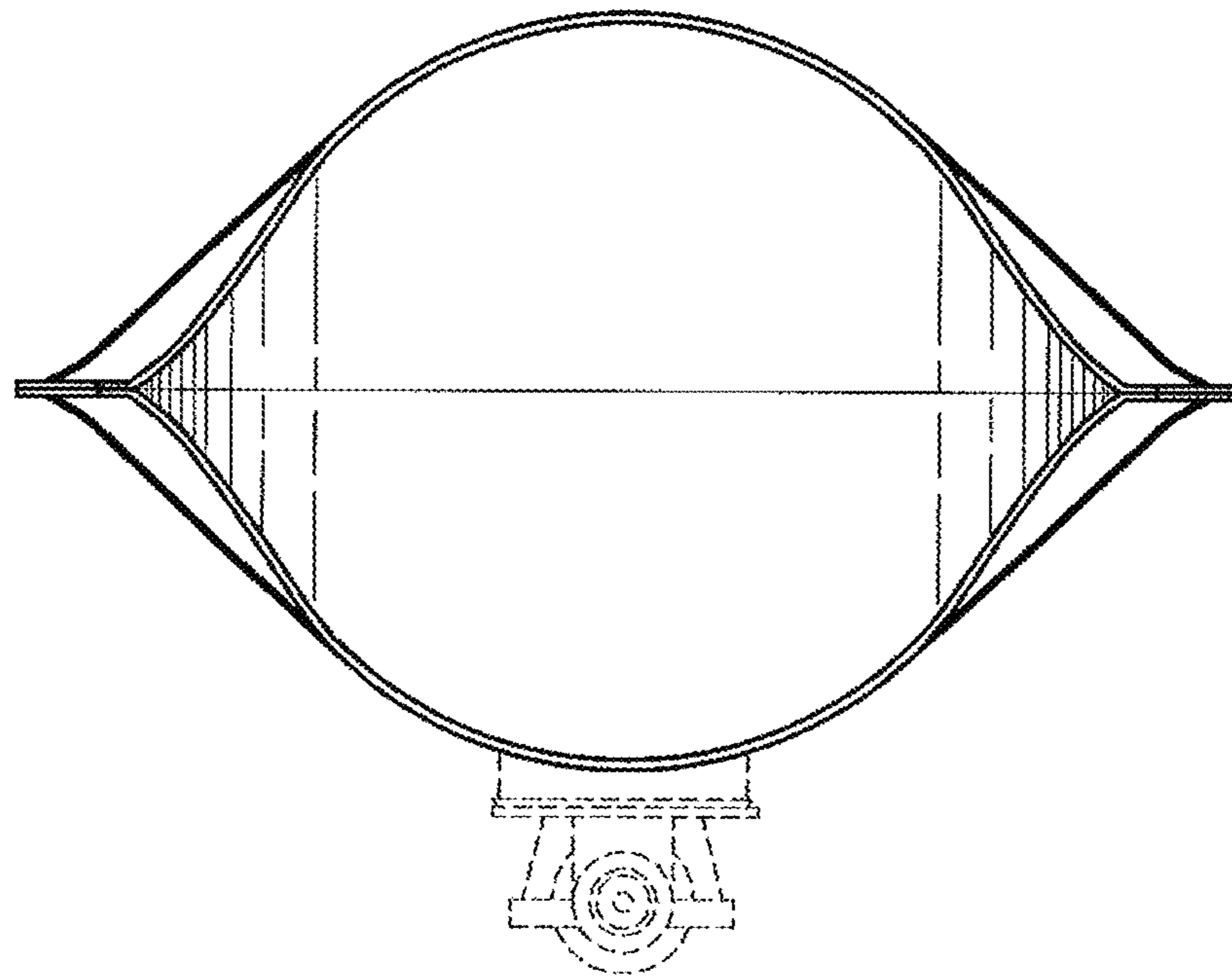


FIG. 18