



US00D822500S

(12) **United States Design Patent**
Vargas-Folch

(10) **Patent No.:** **US D822,500 S**
(45) **Date of Patent:** **** Jul. 10, 2018**

- (54) **LOTION BOTTLE**
- (71) Applicant: **Gesenia Vargas-Folch**, Ridgefield Park, IL (US)
- (72) Inventor: **Gesenia Vargas-Folch**, Ridgefield Park, IL (US)
- (**) Term: **15 Years**
- (21) Appl. No.: **29/591,780**
- (22) Filed: **Jan. 24, 2017**
- (51) **LOC (11) Cl.** **09-01**
- (52) **U.S. Cl.**
USPC **D9/682; D9/690**
- (58) **Field of Classification Search**
USPC D9/600-681, 682-694, 715, 719, 738, D9/739, 741, 746, 500-505, 516, 517, D9/521, 526, 529, 544-546, 548, D9/549-575, 434-436, 445, 447-449; D6/542; 220/602, 662
CPC ... B05B 11/00-11/3098; B65D 1/0207; B65D 1/06; B65D 1/40; B65D 11/02; B65D 11/04; B65D 11/20; B65D 21/0228; B65D 21/001; B65D 21/006; B65D 83/14; B65D 83/38; B65D 83/384; B65D 83/40; B65D 15/02; B65D 15/14; B65D 15/16; B65D 15/18
See application file for complete search history.

- D351,991 S * 11/1994 Bertolini D9/558
- 5,960,998 A 10/1999 Brown
- 6,138,870 A * 10/2000 Lin B05B 11/0005
222/131
- 6,279,778 B1 * 8/2001 Ho B05B 11/0005
222/321.7
- D486,062 S 2/2004 Huang
- D537,360 S * 2/2007 Snell D6/542
- D576,880 S * 9/2008 Couey D9/503
- D596,042 S * 7/2009 Chen D9/690
- D748,989 S * 2/2016 Waller D9/558
- D797,560 S * 9/2017 Chen D9/447
- 2002/0047024 A1 * 4/2002 Ho B05B 11/0005
222/113
- 2005/0092777 A1 * 5/2005 Wu B05B 11/0037
222/382
- 2005/0224442 A1 * 10/2005 White B65D 1/04
215/6
- 2006/0144855 A1 7/2006 Von Schuckmann
- 2006/0175277 A1 * 8/2006 Ho B05B 11/0005
215/6

(Continued)

FOREIGN PATENT DOCUMENTS

WO WO2004013016 2/2004
Primary Examiner — Catherine A Tuttle

(57) **CLAIM**

The ornamental design for a lotion bottle, as shown and described.

DESCRIPTION

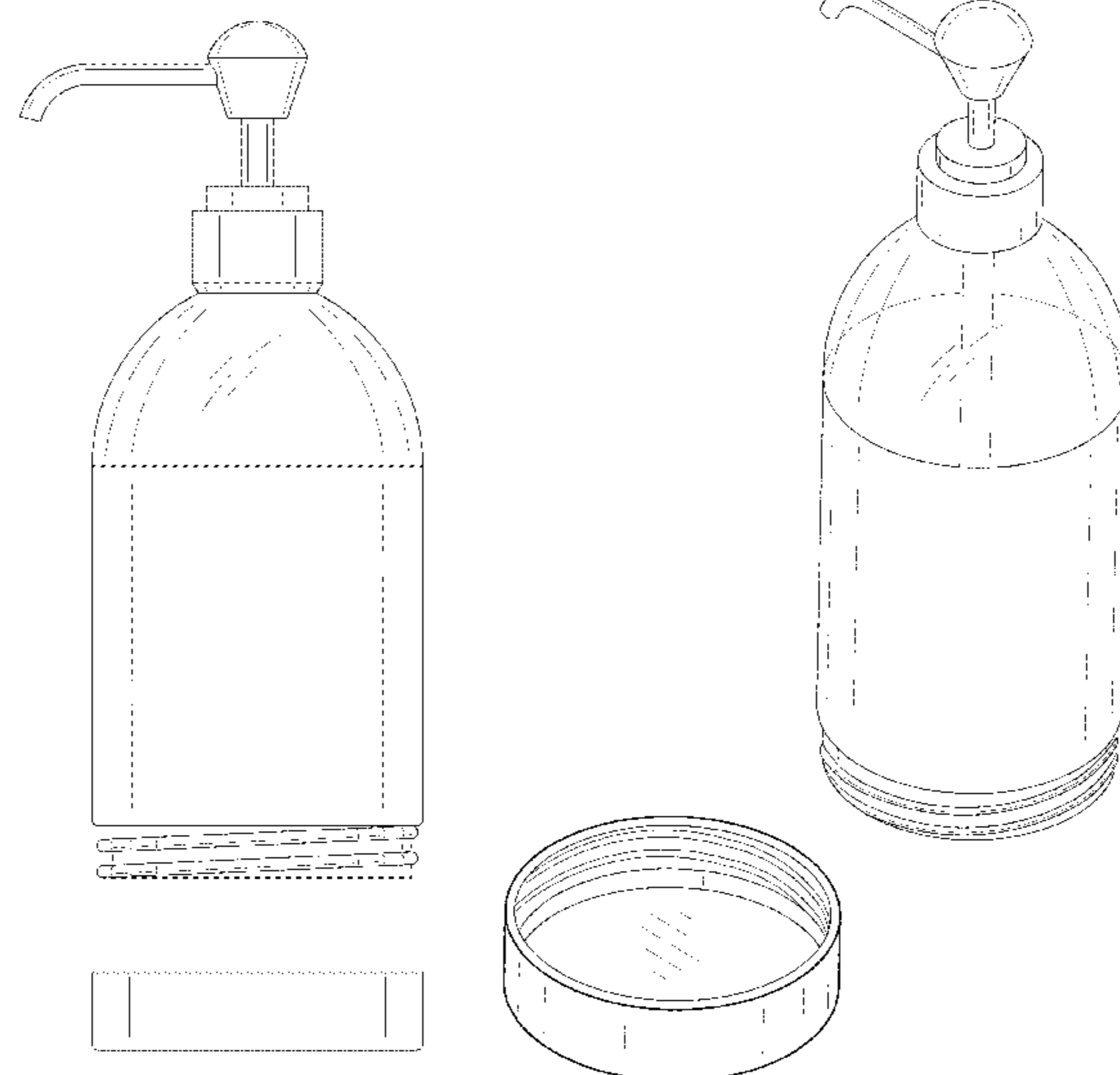
FIG. 1 is a front view of a lotion bottle showing my new design;
FIG. 2 is a rear view thereof;
FIG. 3 is a left side view thereof;
FIG. 4 is a right side view thereof;
FIG. 5 is a top view thereof;
FIG. 6 is a bottom view thereof; and,
FIG. 7 is a top, front and right perspective view thereof.

1 Claim, 7 Drawing Sheets

(56) **References Cited**

U.S. PATENT DOCUMENTS

- 1,362,077 A * 12/1920 Bobrick A47K 5/1205
222/309
- 2,578,907 A * 12/1951 Tupper B05B 11/043
222/215
- D177,420 S * 4/1956 Lipman D23/231
- 4,600,111 A 7/1986 Brown
- D344,232 S * 2/1994 Granville D9/448



(56)

References Cited

U.S. PATENT DOCUMENTS

2007/0119517 A1* 5/2007 Grace B65D 1/06
141/319
2009/0166378 A1* 7/2009 Stilley B05B 1/00
222/39
2009/0242588 A1* 10/2009 Olson B05B 11/0056
222/331
2009/0266737 A1* 10/2009 Cole A47G 19/2272
206/499
2010/0084362 A1* 4/2010 Letchinger B65D 1/06
215/200
2012/0175382 A1 7/2012 McAuley-Davis et al.
2013/0037557 A1 2/2013 Ting
2013/0037580 A1* 2/2013 Armstrong B29B 11/06
222/402.1
2013/0098944 A1 4/2013 Broadney
2013/0284764 A1* 10/2013 Baxter-Waller B65D 1/06
222/321.9
2015/0352583 A1* 12/2015 Anderson A01M 7/0046
239/1
2016/0332798 A1* 11/2016 Hetzer B65D 1/02

* cited by examiner

FIG. 1

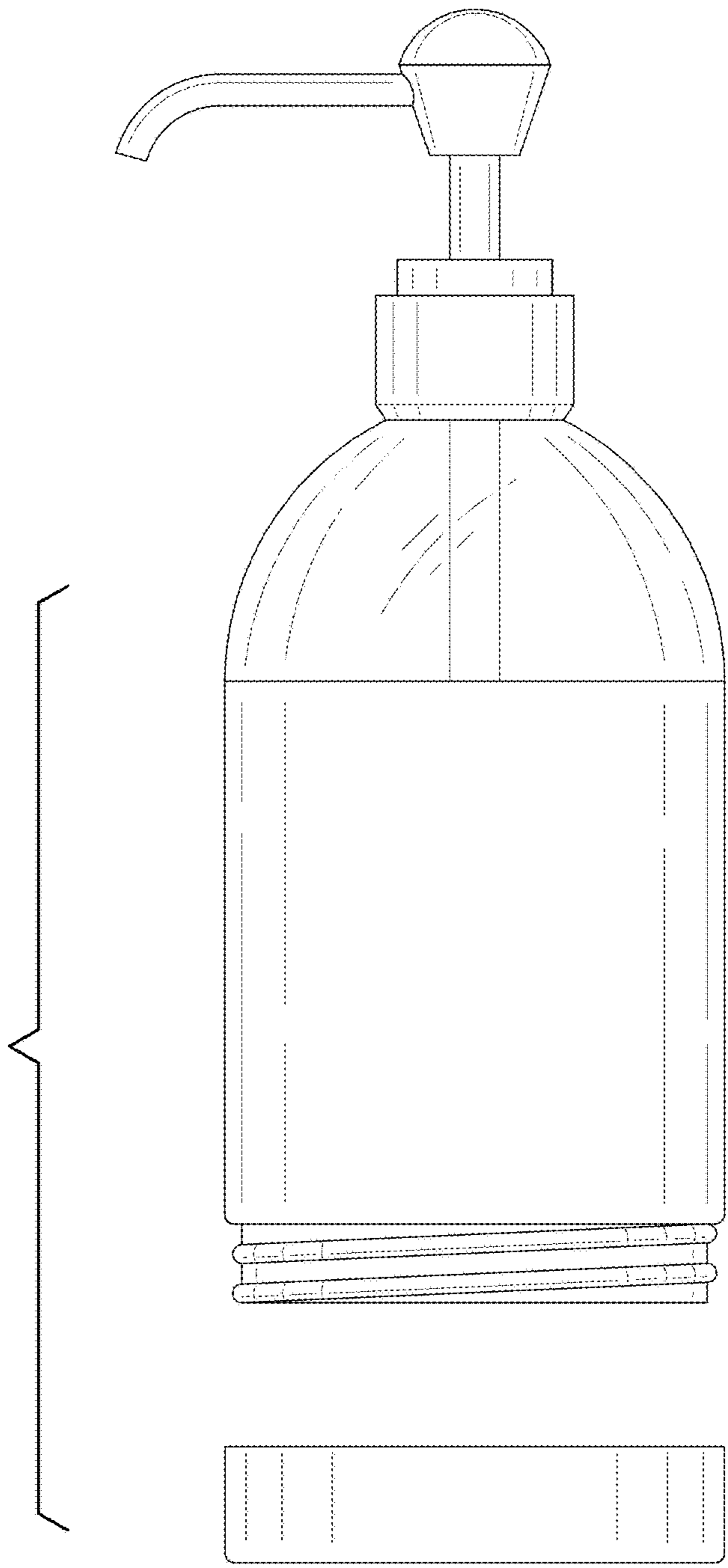
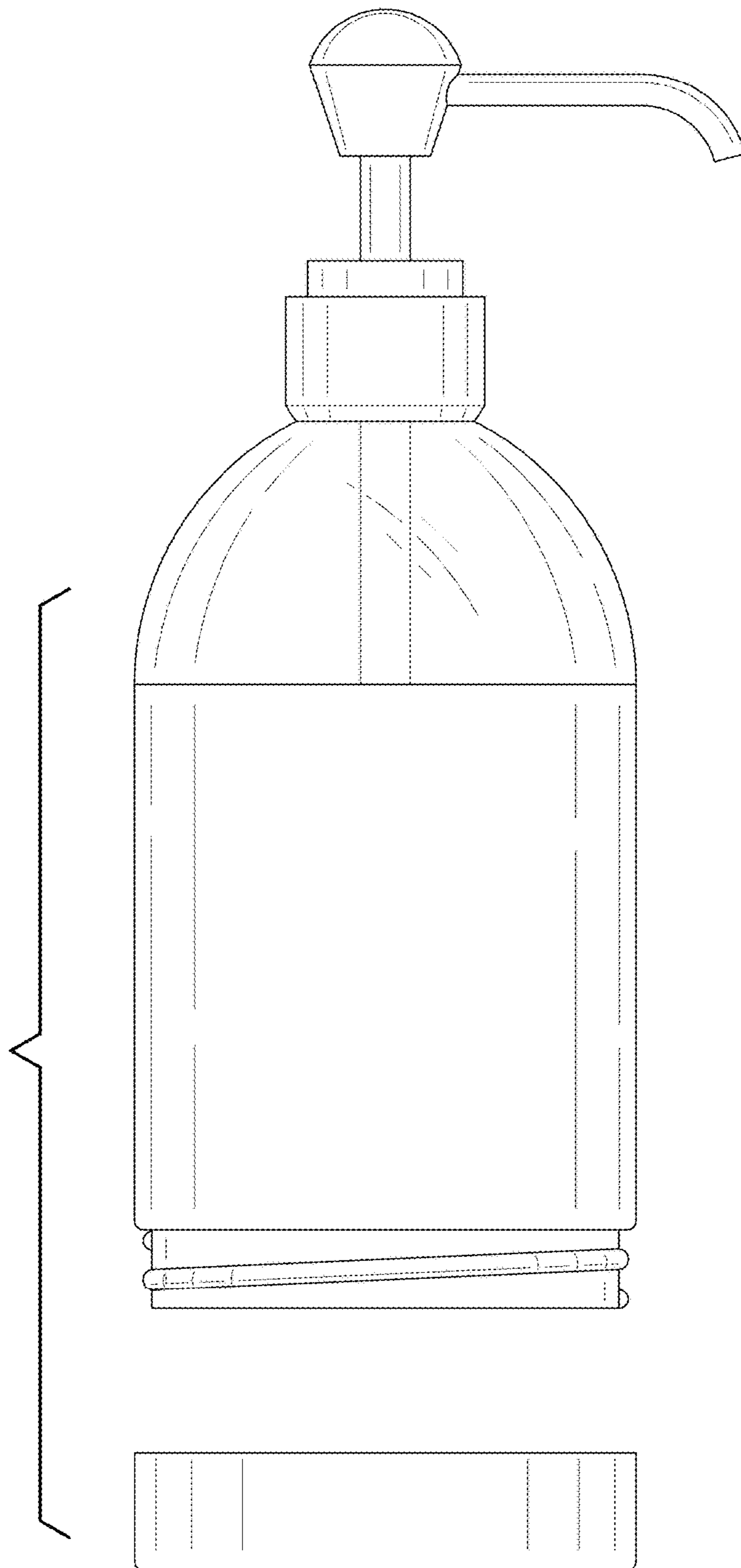


FIG. 2



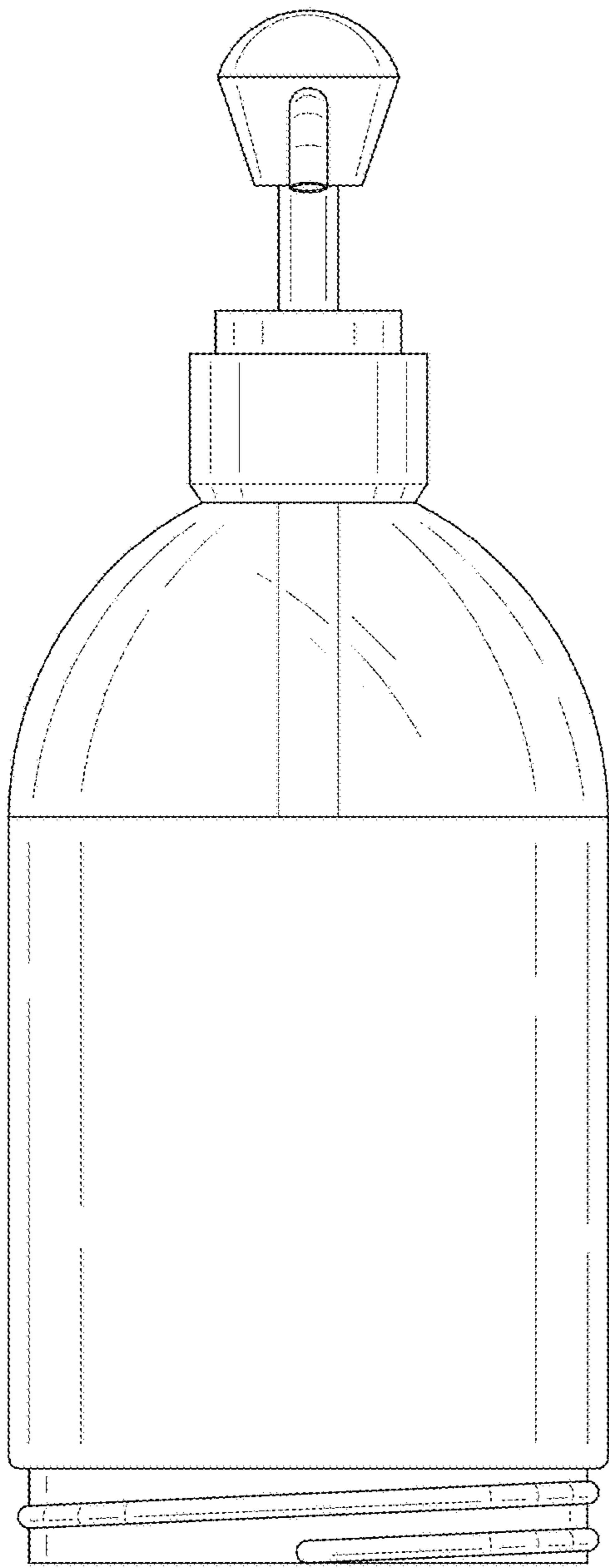


FIG. 3

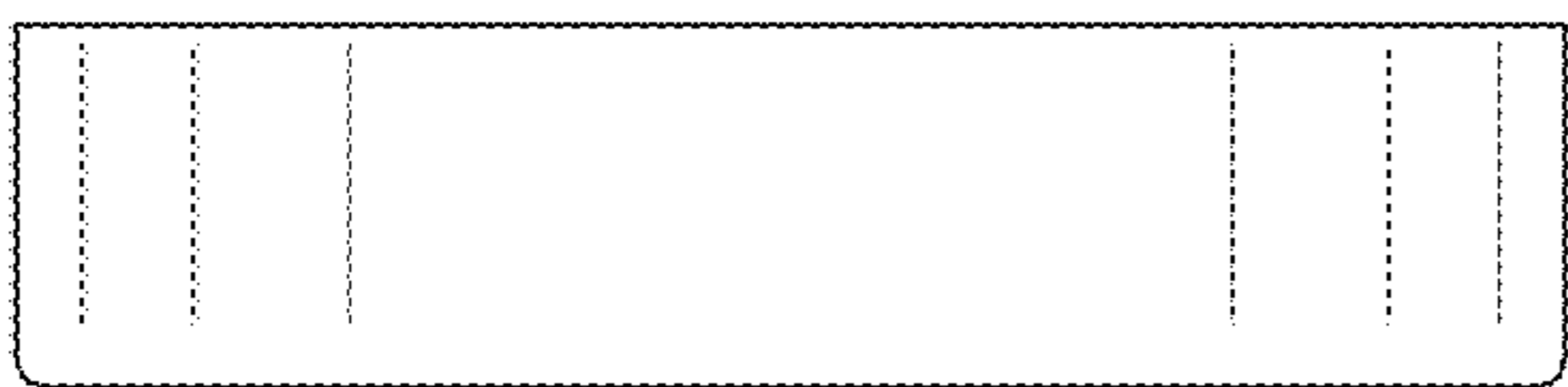
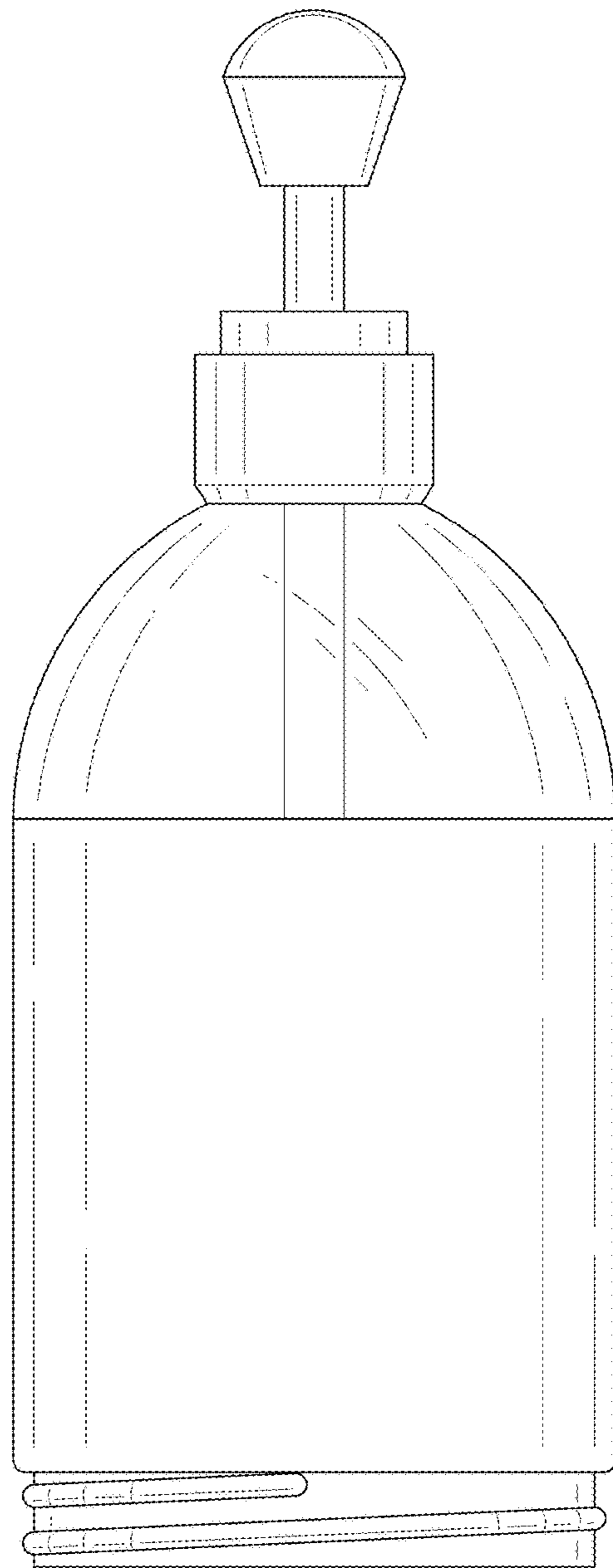


FIG. 4

FIG. 5

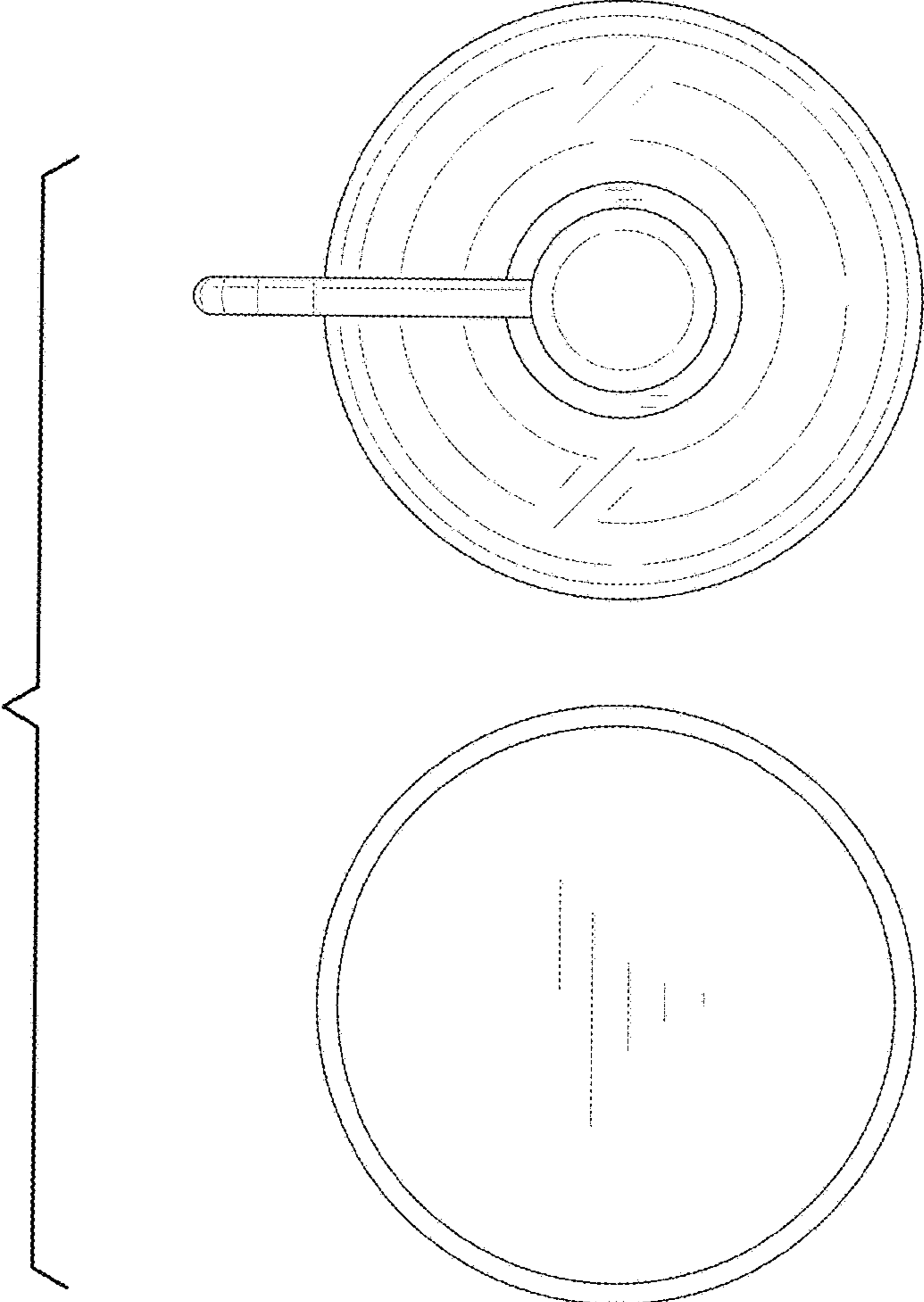
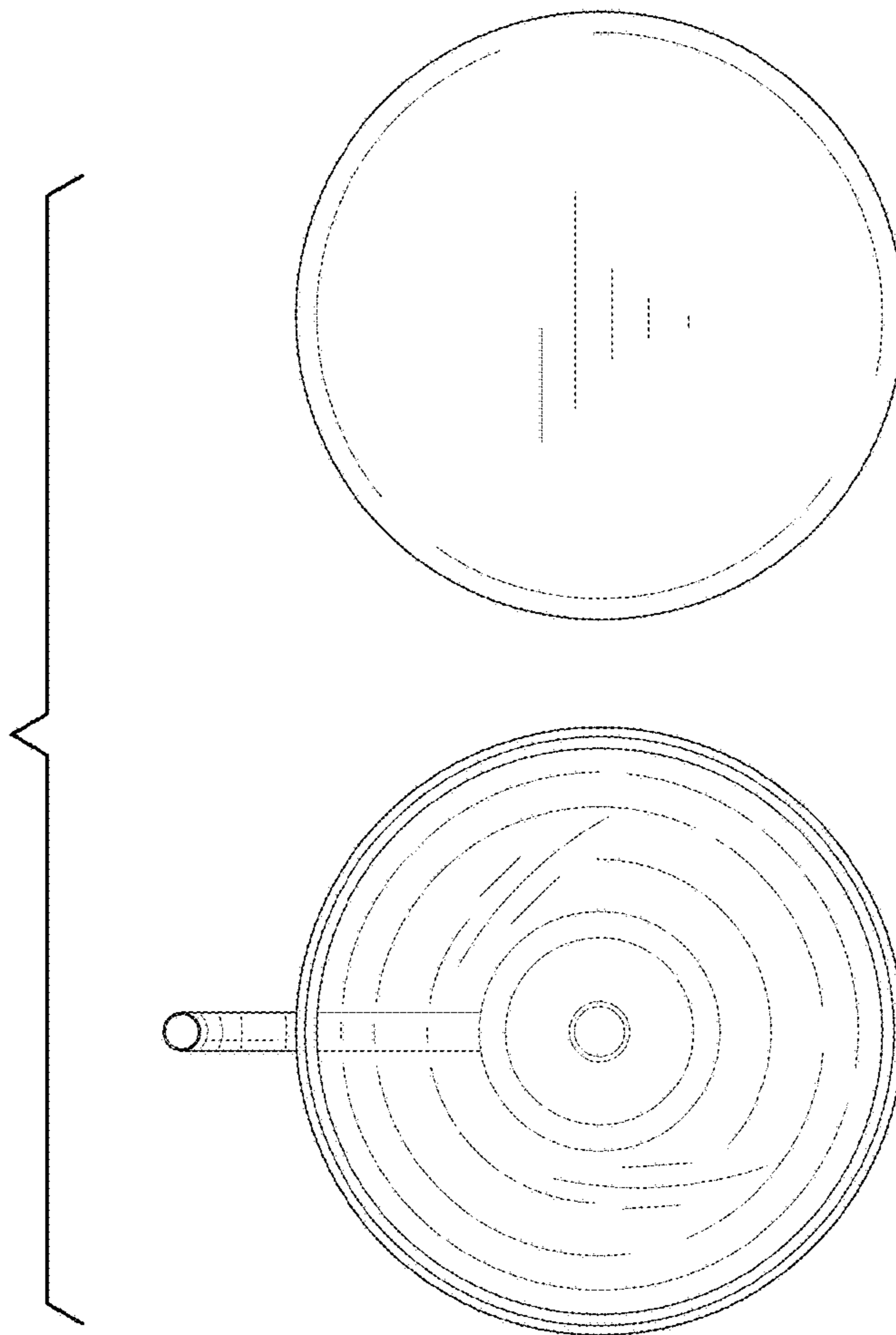


FIG. 6



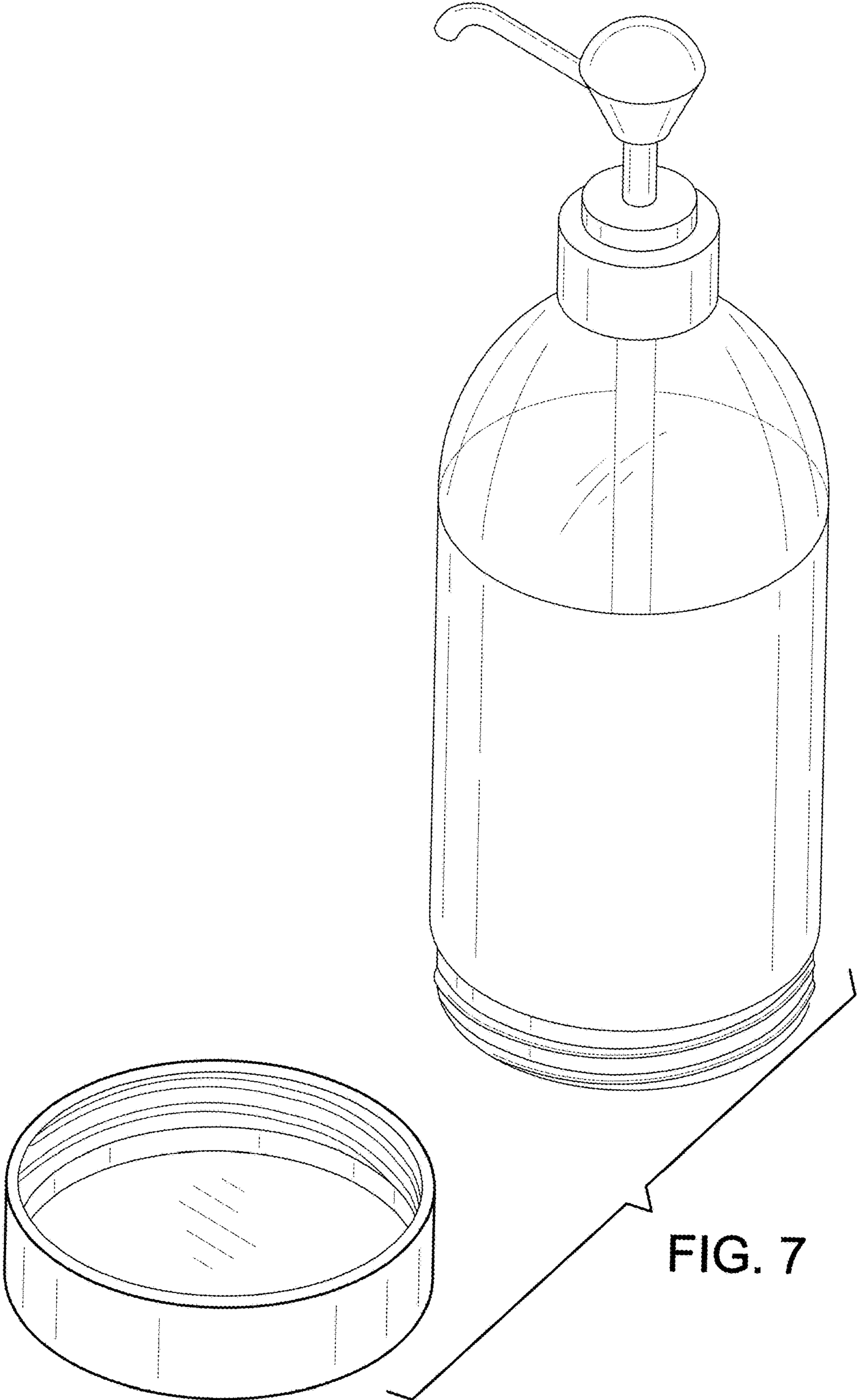


FIG. 7