



US00D822488S

(12) **United States Design Patent**  
**Staab et al.**

(10) **Patent No.:** **US D822,488 S**  
(45) **Date of Patent:** **\*\* Jul. 10, 2018**

(54) **COSMETIC CAP**

(71) Applicant: **Mary Kay Inc.**, Addison, TX (US)

(72) Inventors: **Jenny DeMarco Staab**, Frisco, TX (US); **Lauren Purkhiser**, Addison, TX (US); **Priscilla Ober**, Addison, TX (US)

(73) Assignee: **Mary Kay Inc.**, Addison, TX (US)

(\*\*) Term: **15 Years**

(21) Appl. No.: **29/628,162**

(22) Filed: **Dec. 1, 2017**

**Related U.S. Application Data**

(62) Division of application No. 29/537,078, filed on Aug. 21, 2015, now Pat. No. Des. 807,172.

(51) **LOC (11) Cl.** ..... **09-07**

(52) **U.S. Cl.**  
USPC ..... **D9/455**

(58) **Field of Classification Search**  
USPC ..... D9/434-435, 439, 443-445, 516, 522,  
D9/530, 544, 546, 559, 566, 572, 682,  
D9/696-694, 715, 719; D28/91.1  
CPC ..... B65D 1/00; B65D 1/02; B65D 1/0223;  
B65D 23/00; B65D 81/00; B65D 2501/00  
See application file for complete search history.

(56) **References Cited**

**U.S. PATENT DOCUMENTS**

D71,782 S	1/1927	Delaize	.....	D9/544
D74,677 S	3/1928	Kohl	.....	D9/544
D76,405 S	9/1928	Lavault	.....	D9/546
D76,976 S	11/1928	Applebaum	.....	D9/651
D78,686 S	6/1929	Daltroff	.....	D9/546
D79,944 S	11/1929	Teague	.....	D9/546

D80,708 S	3/1930	Teague	.....	D9/544
D80,917 S	4/1930	Teague	.....	D9/566
D80,918 S	4/1930	Teague	.....	D9/546
D81,602 S	7/1930	Teague	.....	D9/546
D86,540 S	3/1932	Piazzoli	.....	D9/546
D86,566 S	3/1932	Gibson	.....	D9/544
D90,047 S	5/1933	Popp	.....	D9/566
D91,169 S	12/1933	Gibson	.....	D9/520
D93,070 S	8/1934	Westlake	.....	D9/544
D93,073 S	8/1934	Westlake	.....	D9/546
D94,153 S	12/1934	Levine	.....	D9/573
D97,681 S	12/1935	Larsen	.....	D9/651

(Continued)

**FOREIGN PATENT DOCUMENTS**

TW	513085	12/2002
TW	D144640 S1	12/2011

*Primary Examiner* — Dana L Meyrow

(74) *Attorney, Agent, or Firm* — Norton Rose Fulbright US LLP

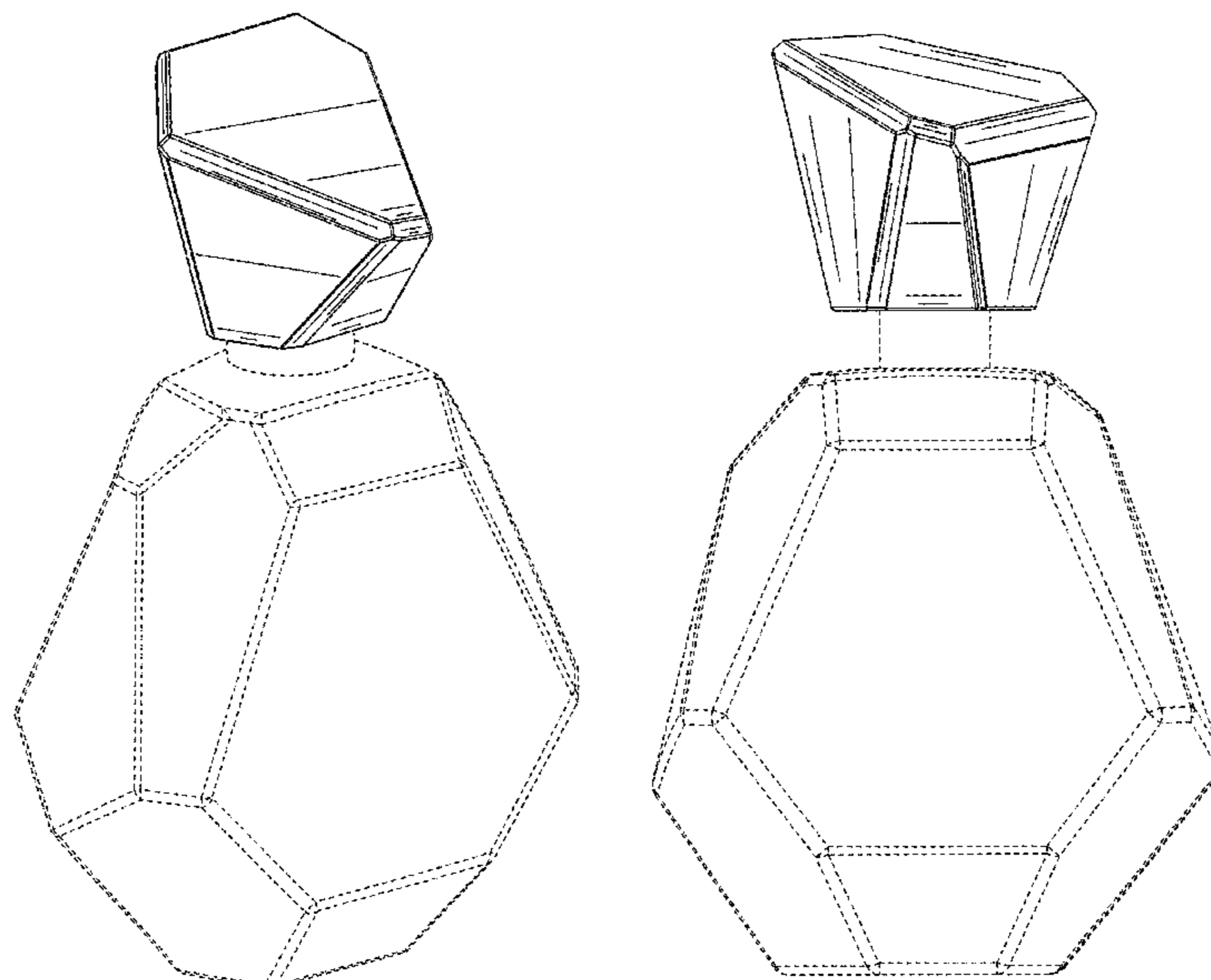
(57) **CLAIM**

The ornamental design for a cosmetic cap, as shown and described.

**DESCRIPTION**

FIG. 1 is a top perspective view of a cosmetic cap showing our new design;  
FIG. 2 is a front view of the cosmetic cap shown in FIG. 1;  
FIG. 3 is a back view of the cosmetic cap shown in FIG. 1;  
FIG. 4 is a right side view of the cosmetic cap shown in FIG. 1;  
FIG. 5 is a left side view of the cosmetic cap shown in FIG. 1; and,  
FIG. 6 is a top view of the cosmetic cap shown in FIG. 1. The dashed lines in FIGS. 1-6 are included for the purpose of illustrating portions of the cosmetic cap that form no part of the claimed design.

**1 Claim, 6 Drawing Sheets**



(56)

References Cited

U.S. PATENT DOCUMENTS

D98,040 S 12/1935 Lewis ..... D9/544  
 D100,372 S 7/1936 Guerlain ..... D9/544  
 D101,617 S 10/1936 Capey .....  
 D120,147 S 4/1940 Steuer ..... D9/568  
 D126,514 S 4/1941 Payne ..... D9/566  
 D147,027 S 7/1947 Stevens, Jr. .... D9/452  
 D187,886 S 5/1960 Hurlstone ..... D9/566  
 D194,809 S 3/1963 Du Pree ..... D9/544  
 D259,703 S 6/1981 Llorente ..... D9/651  
 D277,455 S 2/1985 Tordjman ..... D9/546  
 D284,938 S 8/1986 Jedwab et al. .... D9/651  
 D289,142 S 4/1987 Bijaoui ..... D9/546  
 D304,298 S 10/1989 Bannister ..... D9/546  
 D308,940 S 7/1990 Dinand ..... D9/544  
 D322,565 S 12/1991 Durand ..... D9/403  
 D325,166 S 4/1992 Versace ..... D9/544  
 D329,596 S 9/1992 Dinand ..... D9/544  
 D333,269 S 2/1993 Albright et al. .... D9/544  
 D333,425 S 2/1993 Boussiquet ..... D9/562  
 D365,991 S 1/1996 Varlet ..... D9/544  
 D366,620 S 1/1996 Kuzma ..... D9/542  
 D382,486 S 8/1997 Heinz ..... D9/546  
 D421,906 S 3/2000 Jauffret ..... D9/435  
 D432,407 S 10/2000 Lee ..... D9/300  
 D449,537 S 10/2001 Feigenbaum ..... D9/529  
 D471,467 S 3/2003 Kokubo et al. .... D9/566  
 D515,194 S 2/2006 Chen ..... D23/366  
 D526,567 S 8/2006 Dalton ..... D9/544  
 D529,813 S 10/2006 Modjeski ..... D9/546  
 D530,211 S 10/2006 Lloyd ..... D9/542  
 D530,213 S 10/2006 Modjeski ..... D9/546  
 D530,216 S 10/2006 Modjeski ..... D9/566  
 D531,911 S 11/2006 Lloyd ..... D9/546

D548,091 S 8/2007 Dalton ..... D9/519  
 D551,974 S 10/2007 Canamasas ..... D9/452  
 D553,505 S 10/2007 Oner ..... D9/559  
 D562,689 S 2/2008 Antretter ..... D9/544  
 D574,257 S 8/2008 Zeidan ..... D9/694  
 D586,226 S 2/2009 Lloyd ..... D9/556  
 D610,013 S 2/2010 Mendelson ..... D9/522  
 D610,916 S 3/2010 Yeung et al. .... D9/694  
 D619,470 S 7/2010 Zeidan ..... D9/544  
 D620,804 S 8/2010 Bogert et al. .... D9/544  
 D625,612 S 10/2010 Papiernik ..... D9/693  
 D626,422 S 11/2010 Lloyd ..... D9/566  
 D632,969 S 2/2011 Monteparo et al. .... D9/544  
 D633,806 S 3/2011 Lecoule ..... D9/559  
 D637,491 S 5/2011 Bogert ..... D9/452  
 D638,649 S 5/2011 Servaire ..... D7/300  
 D638,706 S 5/2011 Bashmakoff ..... D9/452  
 D639,161 S 6/2011 Webster ..... D9/452  
 D639,667 S 6/2011 Bogert et al. .... D9/544  
 D643,733 S 8/2011 Aebi ..... D9/544  
 D659,548 S 5/2012 France ..... D9/694  
 D678,073 S 3/2013 Oge-Nichols et al. .... D9/542  
 D683,227 S 5/2013 Balini ..... D9/544  
 D697,811 S 1/2014 Goodman et al. .... D9/545  
 D698,259 S 1/2014 Ngjelo ..... D9/651  
 D710,207 S 8/2014 Pinabel ..... D9/542  
 D711,236 S 8/2014 Friesen et al. .... D9/519  
 D712,253 S 9/2014 Hughes et al. .... D9/435  
 D722,274 S 2/2015 Basset ..... D9/566  
 D747,972 S 1/2016 Allan ..... D9/682  
 D773,936 S 12/2016 Pascalie ..... D9/544  
 D802,428 S \* 11/2017 Staab ..... D9/522  
 D803,691 S \* 11/2017 Staab ..... D9/522  
 D807,172 S \* 1/2018 Staab ..... D9/445  
 D810,580 S \* 2/2018 Staab ..... D9/682

\* cited by examiner

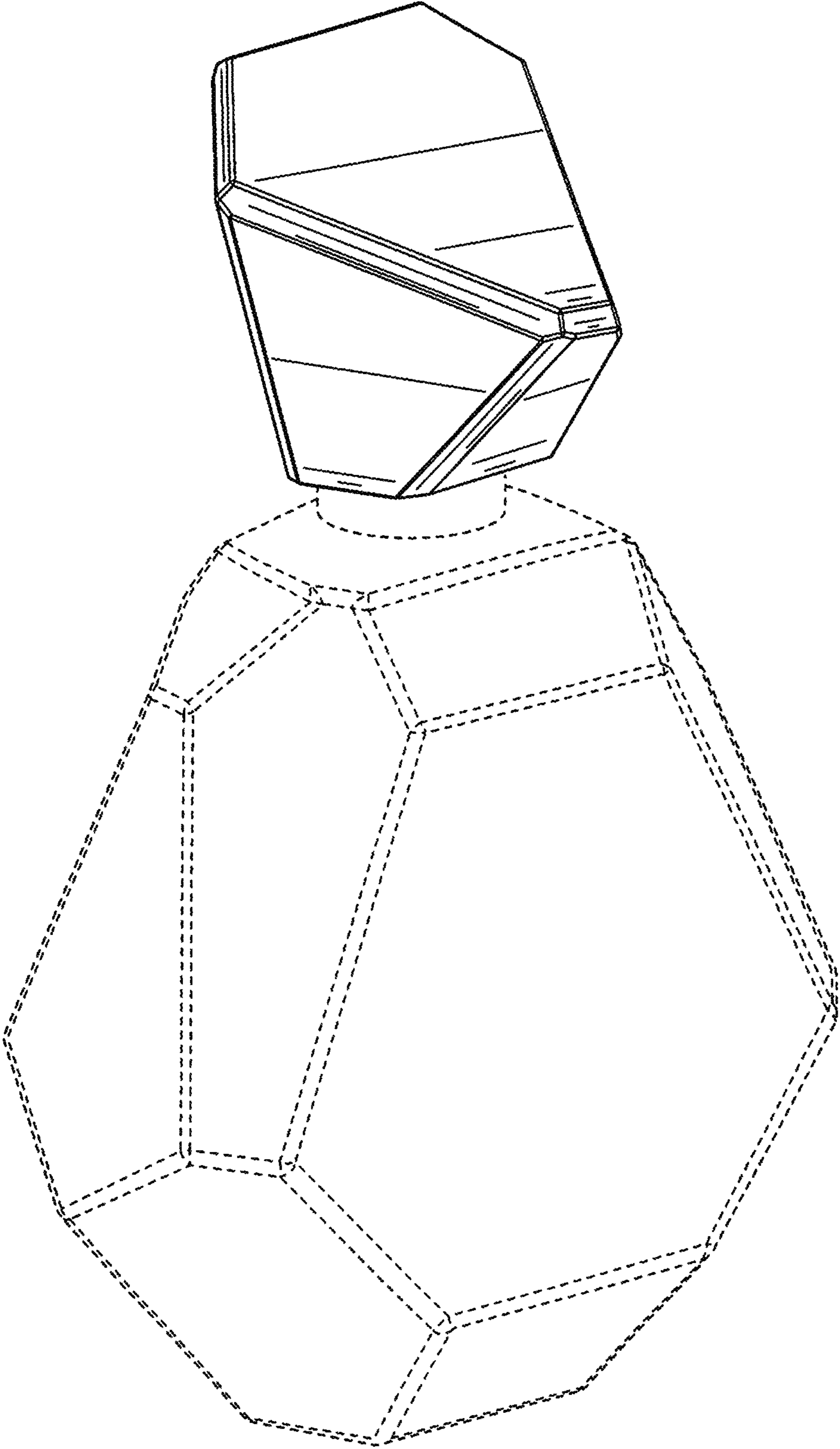


FIG. 1

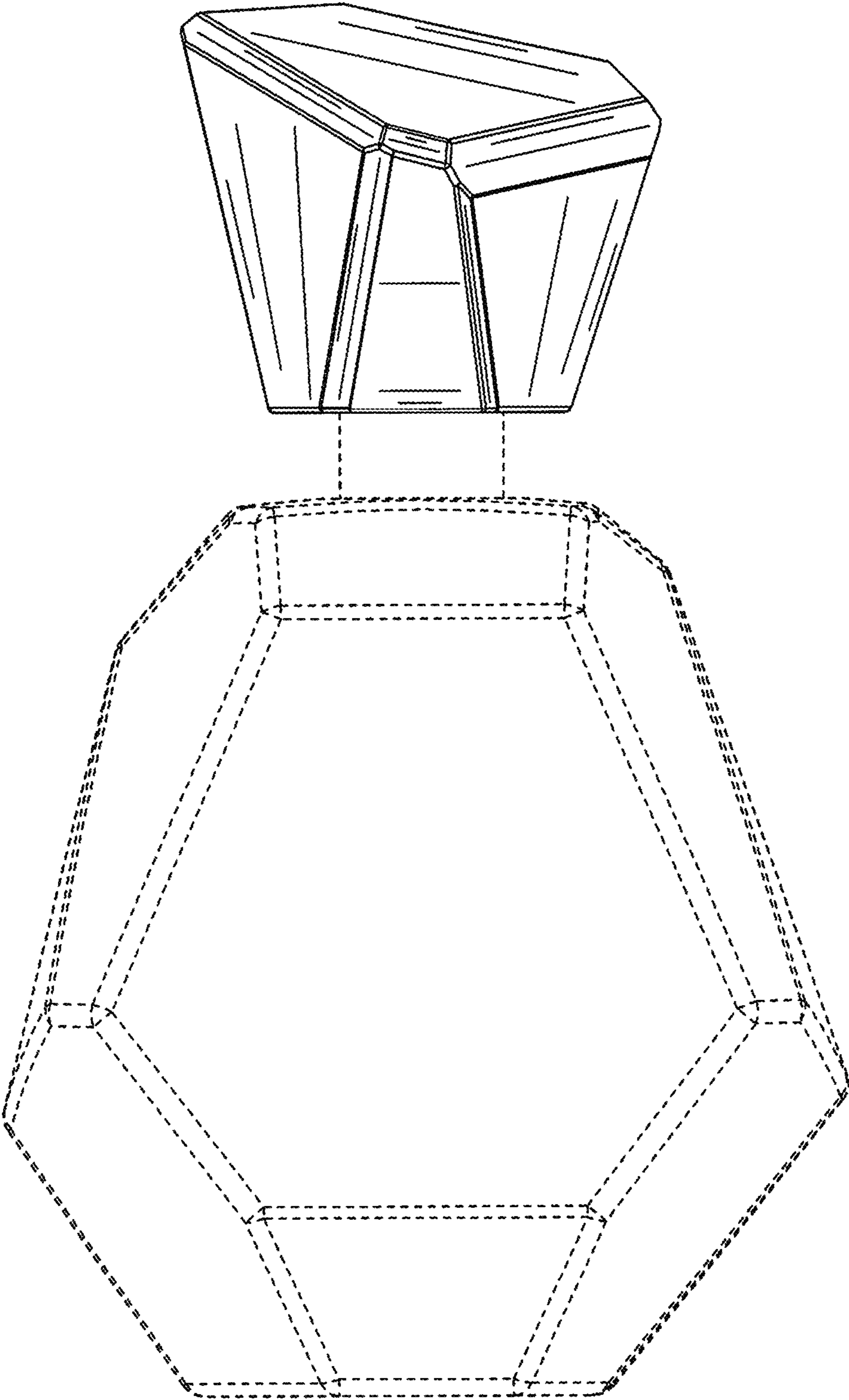


FIG. 2

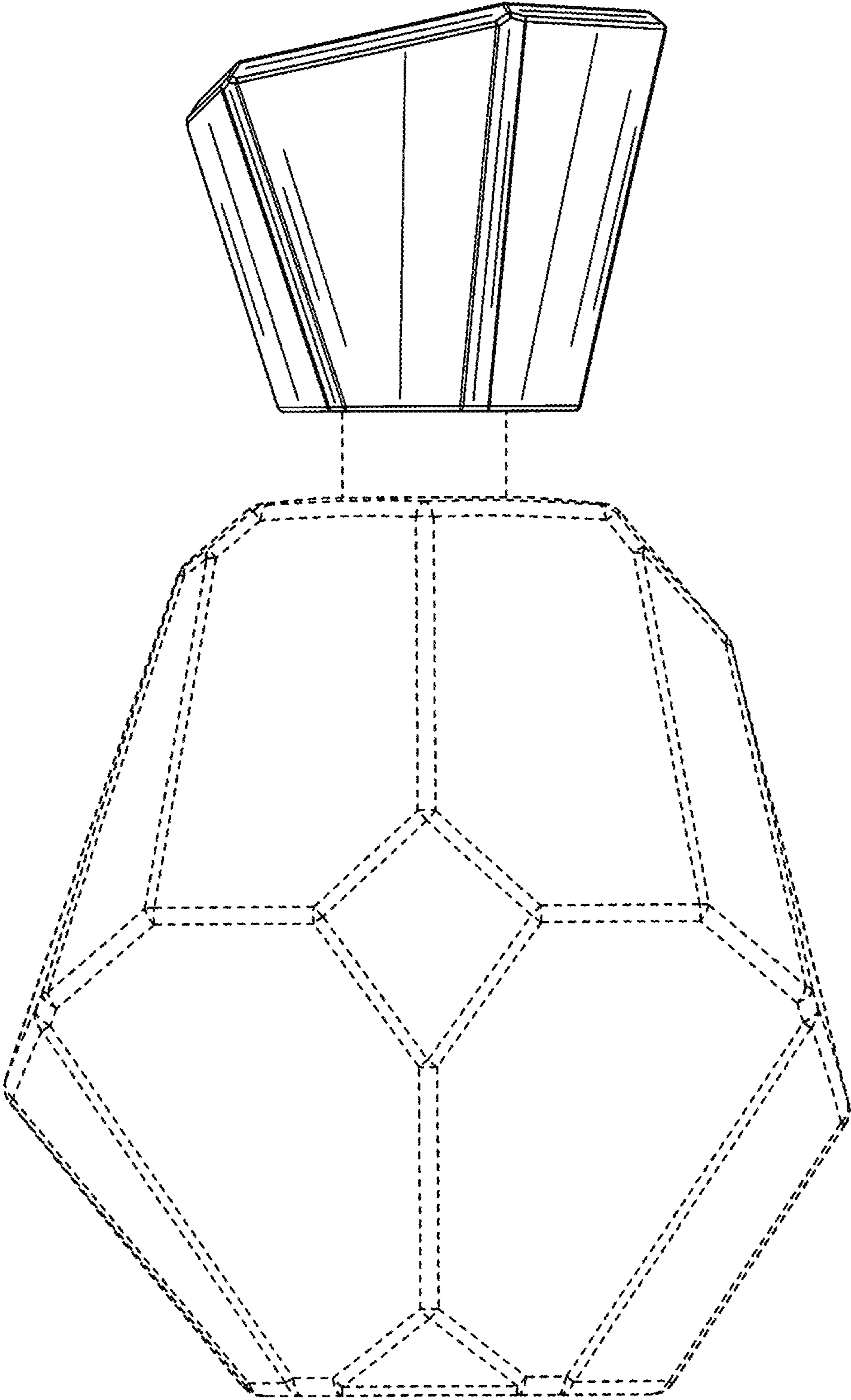


FIG. 3

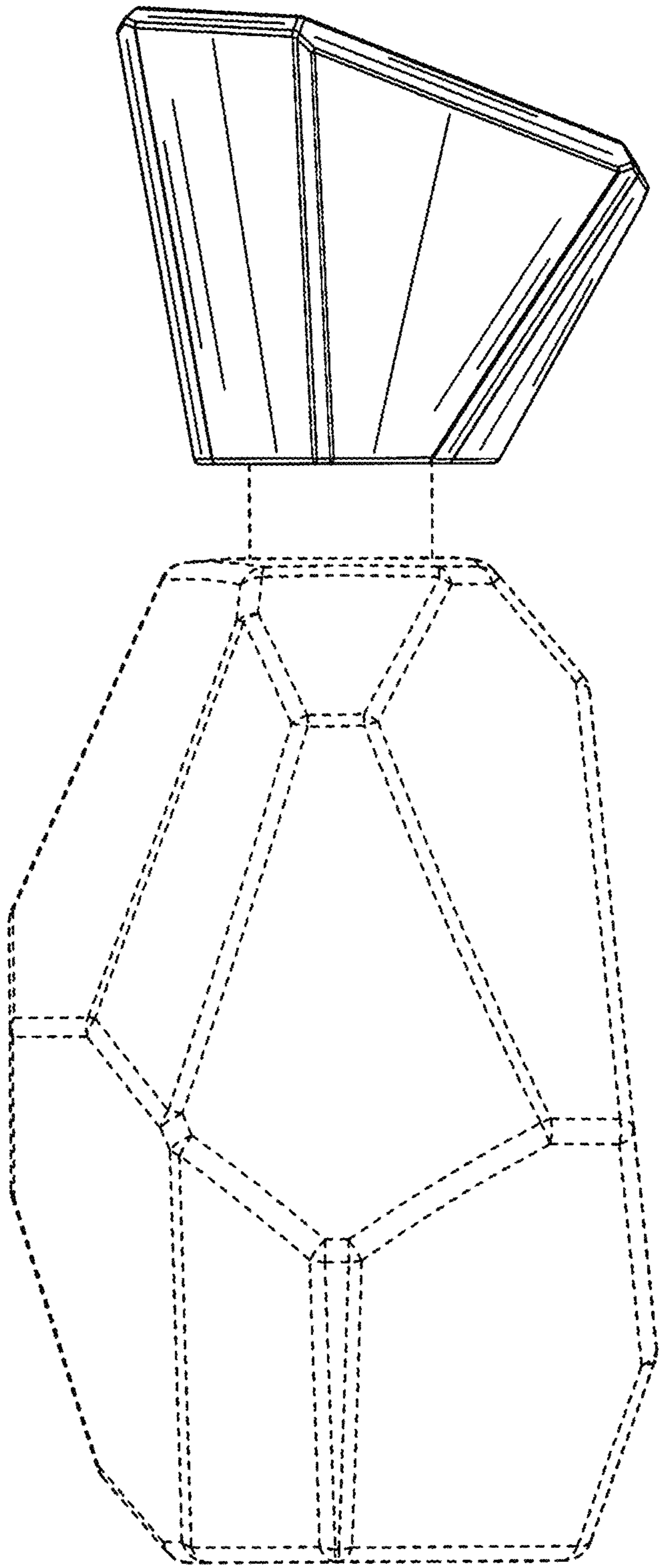


FIG. 4

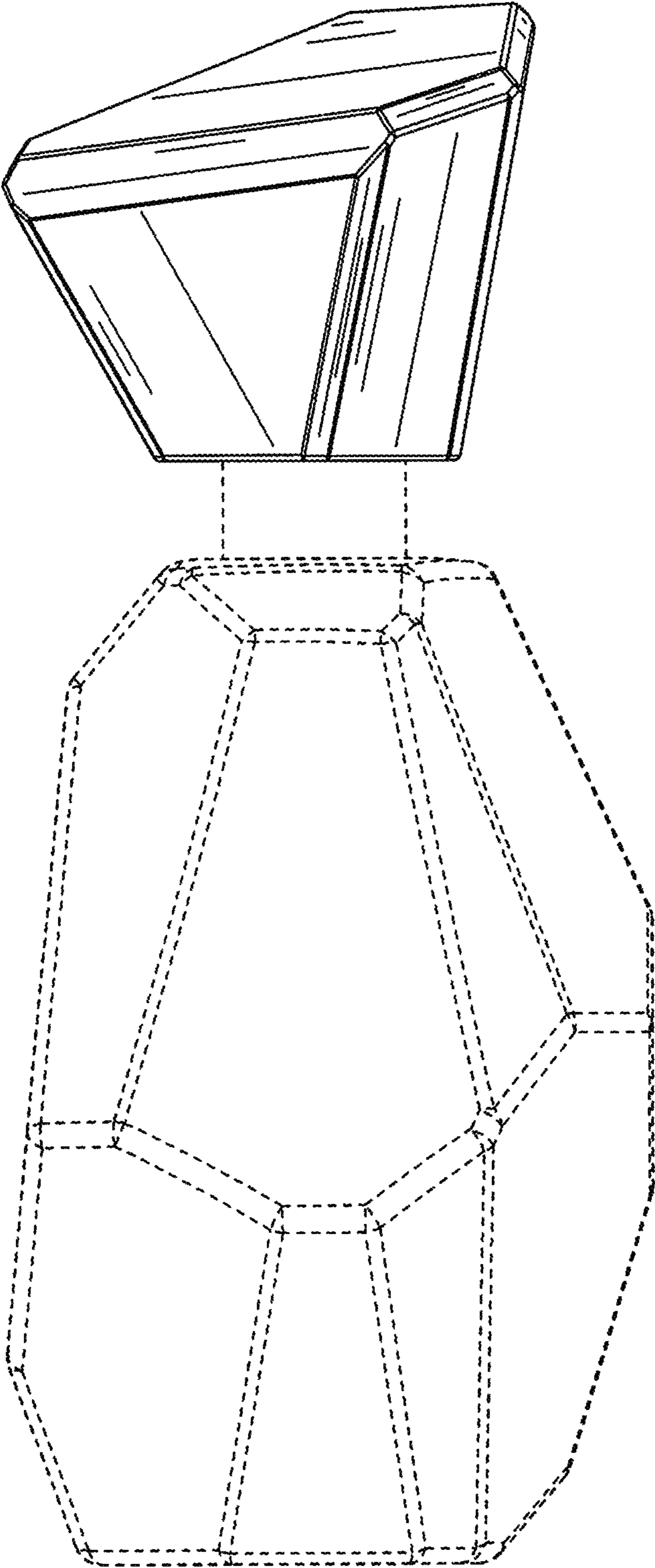


FIG. 5

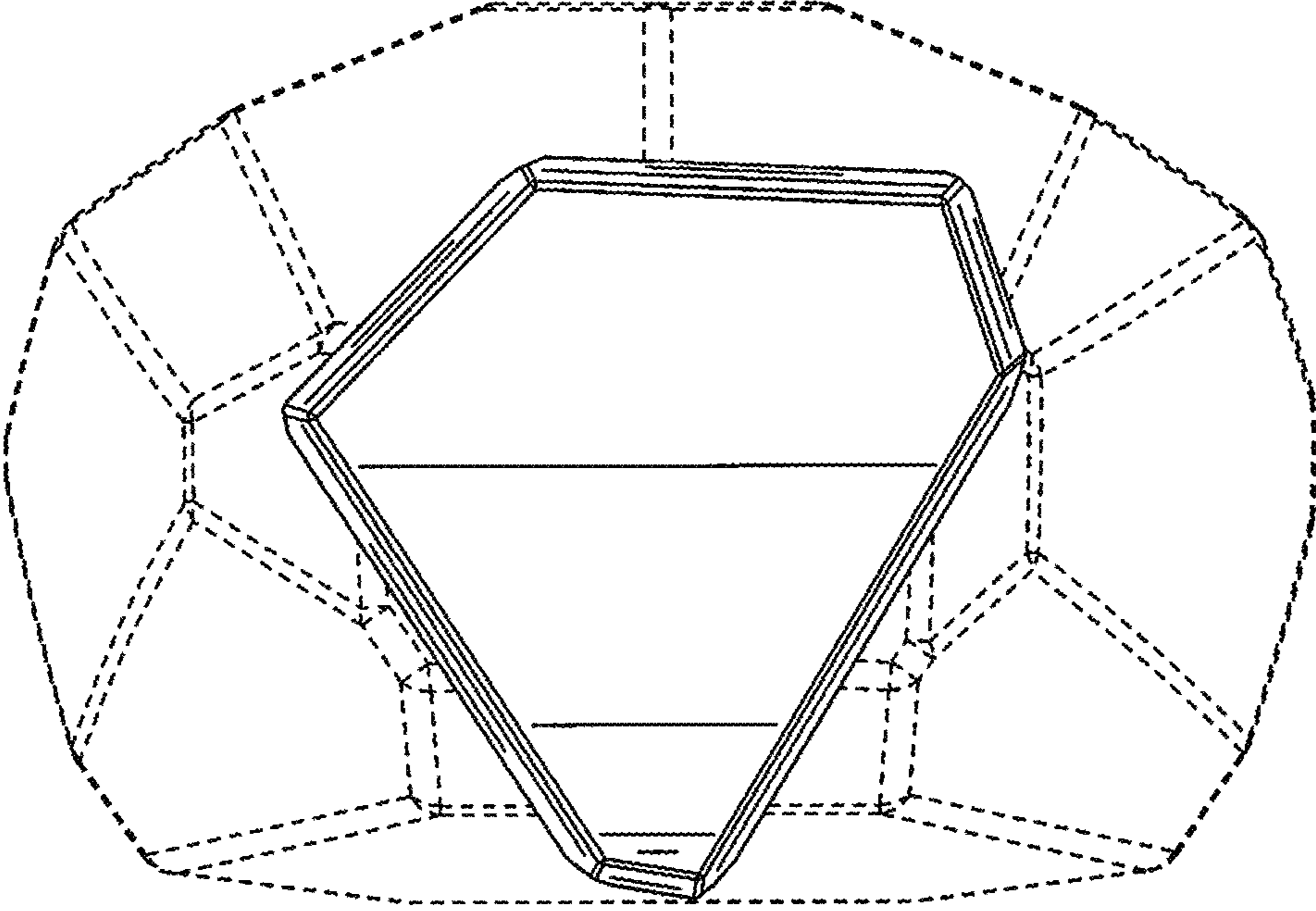


FIG. 6