



US00D822484S

(12) **United States Design Patent** (10) **Patent No.:** **US D822,484 S**
D'Amato (45) **Date of Patent:** **** *Jul. 10, 2018**

- (54) **LID**
- (71) Applicant: **Seda International Packaging Group S.p.A., Naples (IT)**
- (72) Inventor: **Gianfranco D'Amato, Naples (IT)**
- (73) Assignee: **Seda International Packaging Group SpA, Arzano, Naples (IT)**

D591,595 S *	5/2009	Tedford, Jr.	D9/447
D629,298 S *	12/2010	Wong	D9/447
D635,855 S *	4/2011	Smith	D9/447
D649,878 S *	12/2011	Weiss	D9/447
D657,670 S *	4/2012	Folos	D9/447
D660,696 S *	5/2012	Weiss	D9/447
D662,362 S *	6/2012	Bickert	D7/510
D666,490 S *	9/2012	Leon	D9/447
D675,524 S *	2/2013	Bickert	D7/392.1
D704,053 S *	5/2014	Kim	A47G 19/2272
			D9/447
D716,141 S *	10/2014	Rush	D9/447

(*) Notice: This patent is subject to a terminal disclaimer.

(**) Term: **15 Years**

(21) Appl. No.: **29/562,530**

(22) Filed: **Apr. 26, 2016**

(51) **LOC (11) Cl.** **09-07**

(52) **U.S. Cl.**
USPC **D9/447**

(58) **Field of Classification Search**
 USPC D9/429, 434, 435, 443-450, 452, 454, D9/499, 553, 554, 559, 560, 561;
 D7/387, 392, 393, 396.2, 396.4, 509, 510, D7/511, 514; D3/202, 203.2, 223, 264, D3/294, 304, 318
 CPC .. A61J 1/00; A61J 1/1412; B65D 1/00; B65D 1/02; B65D 1/10; B65D 1/46; B65D 2585/56; B65D 2585/545; B65D 41/00; B65D 41/56; B65D 41/62; B65D 47/06; B65D 47/08; B65D 2543/00046; B65D 2543/00092; B65D 2543/00296

See application file for complete search history.

(56) **References Cited**

U.S. PATENT DOCUMENTS

D417,845 S *	12/1999	Sadlier	D7/511
D476,891 S *	7/2003	Clarke	D9/447
D485,758 S *	1/2004	Clarke	D9/447
D516,424 S *	3/2006	Schweigert	D9/447

(Continued)

FOREIGN PATENT DOCUMENTS

EM	002254581.0001	9/2013
EM	003432558-0001	* 12/2016

Primary Examiner — Karen S Acker

Assistant Examiner — Wendy L Arminio

(74) *Attorney, Agent, or Firm* — Fish & Richardson P.C.

(57) **CLAIM**

The ornamental design for a lid, as shown and described.

DESCRIPTION

FIG. 1 is a front view of the design for a lid of the present invention.

FIG. 2 is a rear view thereof.

FIG. 3 is a right side view thereof.

FIG. 4 is a left side view thereof.

FIG. 5 is a top view thereof.

FIG. 6 is a bottom view thereof.

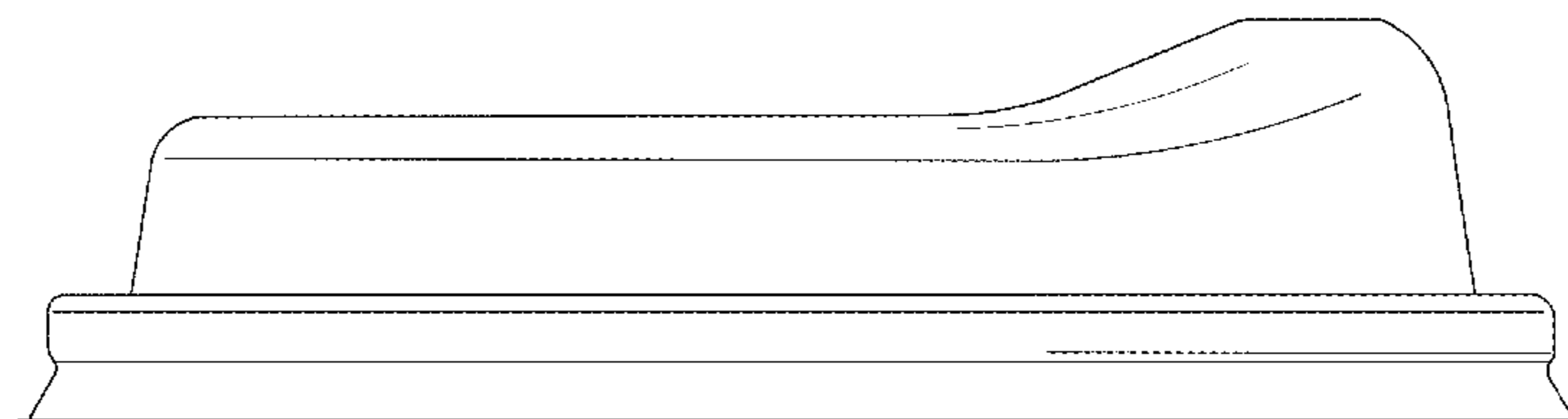
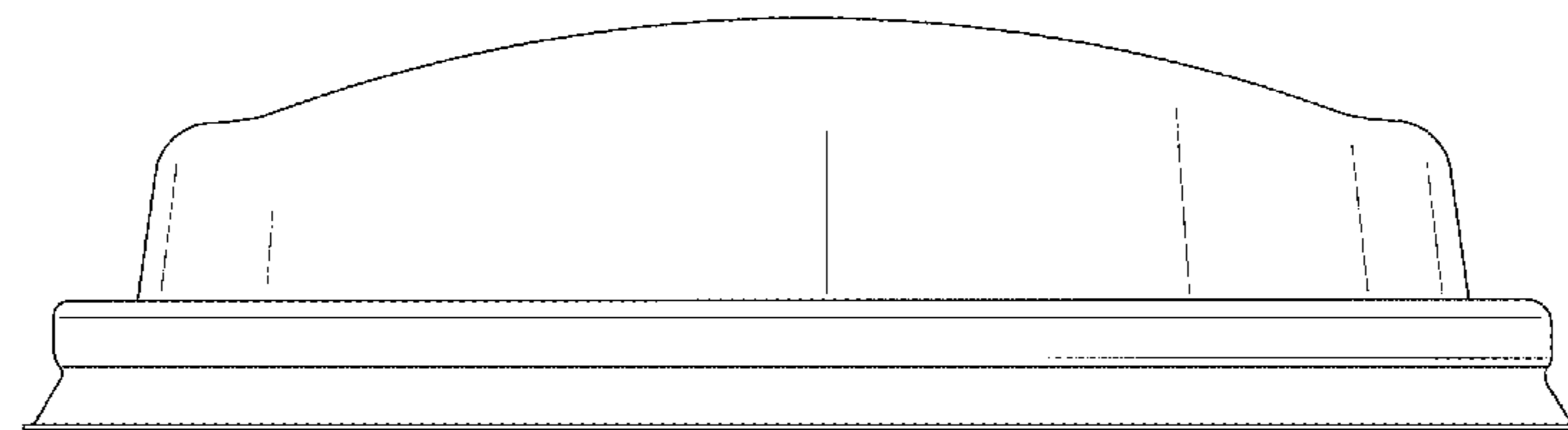
FIG. 7 is a cross-sectional view thereof taken in the direction of line 7-7 in FIG. 5.

FIG. 8 is a cross-sectional view thereof taken in the direction of line 8-8 in FIG. 5.

FIG. 9 is a cross-sectional view thereof taken in the direction of line 9-9 in FIG. 5; and,

FIG. 10 is a cross-sectional view thereof taken in the direction of line 10-10 in FIG. 5.

1 Claim, 6 Drawing Sheets



(56)

References Cited

U.S. PATENT DOCUMENTS

D720,616 S * 1/2015 Lam D9/447
D721,584 S * 1/2015 Koennecke D9/447
D741,711 S * 10/2015 D'Amato D9/447
2006/0071008 A1* 4/2006 Sadlier B65D 43/0218
220/713
2009/0223981 A1* 9/2009 Levey B65D 51/185
220/712
2012/0272622 A1* 11/2012 Weiss B65D 43/0212
53/476
2013/0306666 A1* 11/2013 Weiss B65D 43/06
220/784

* cited by examiner

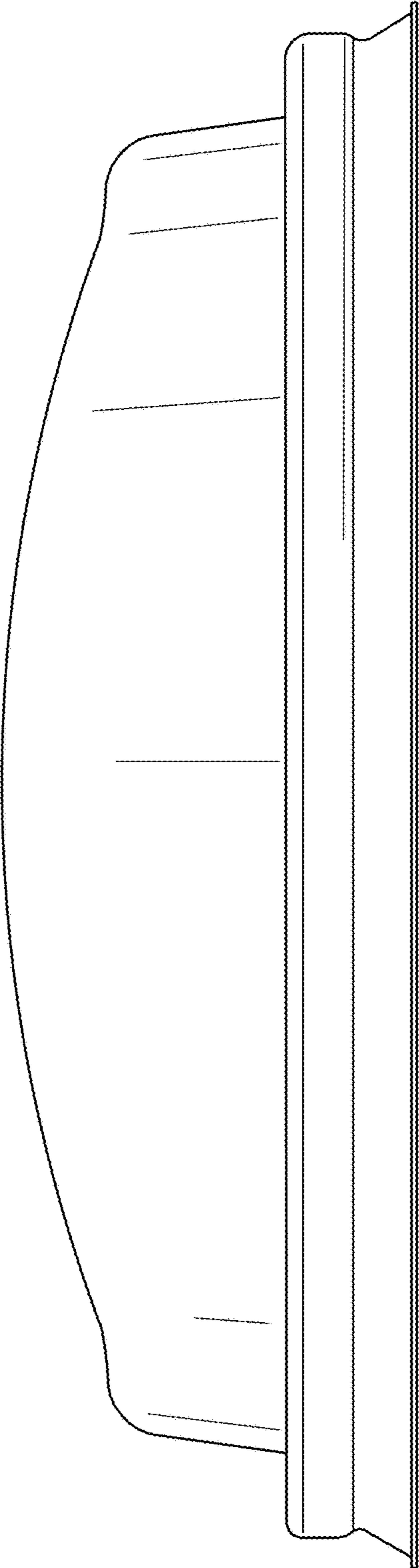


FIG. 1

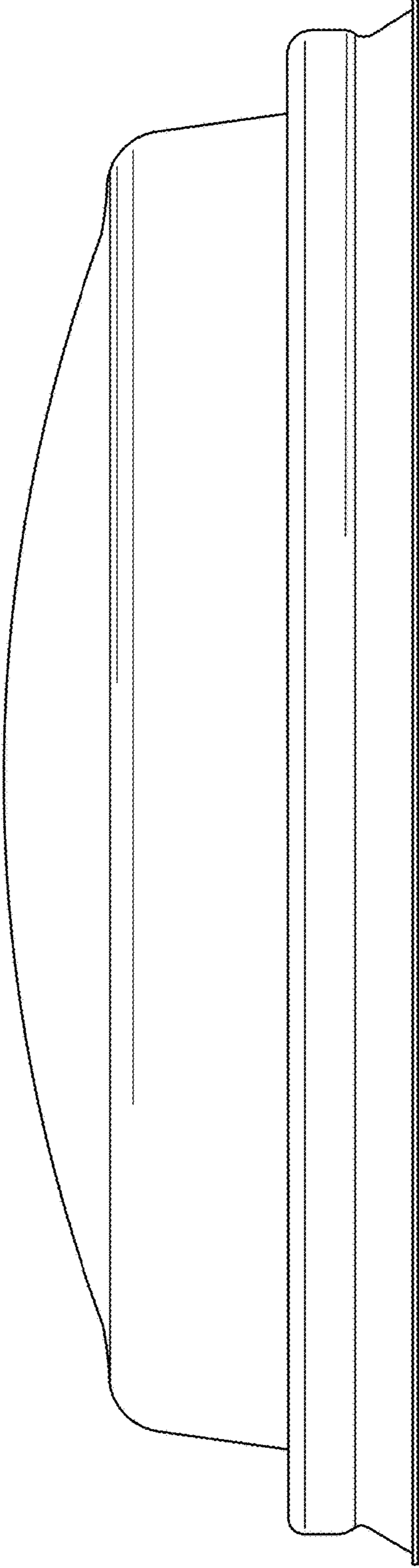


FIG. 2

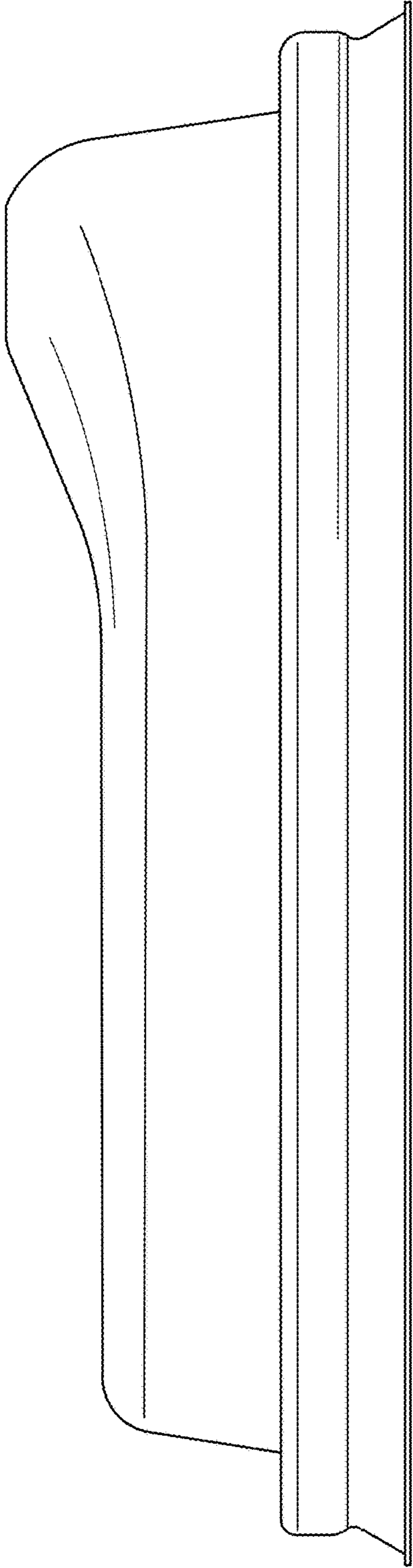


FIG. 3

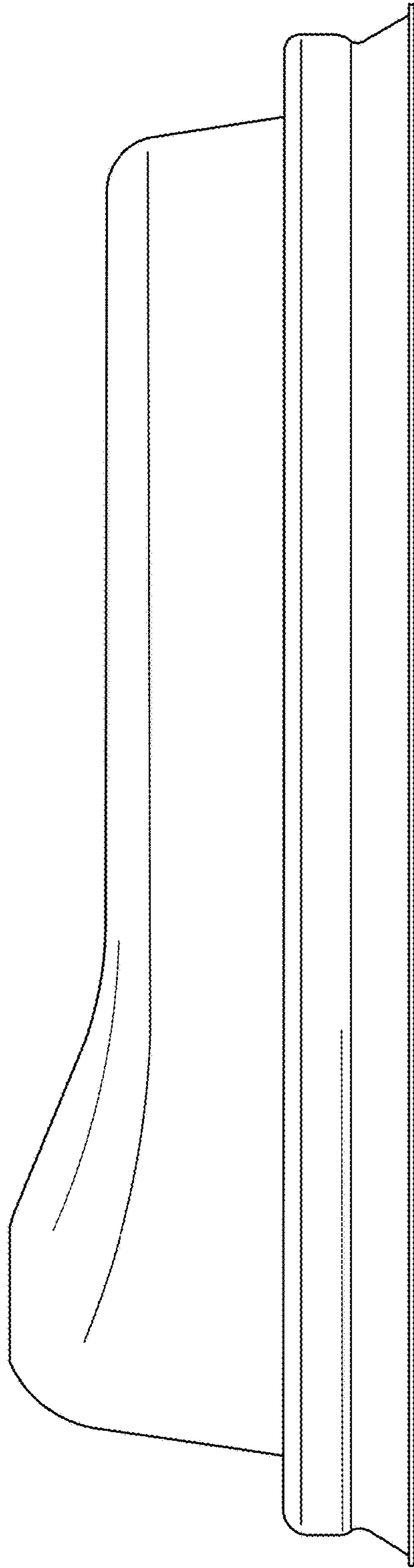


FIG. 4

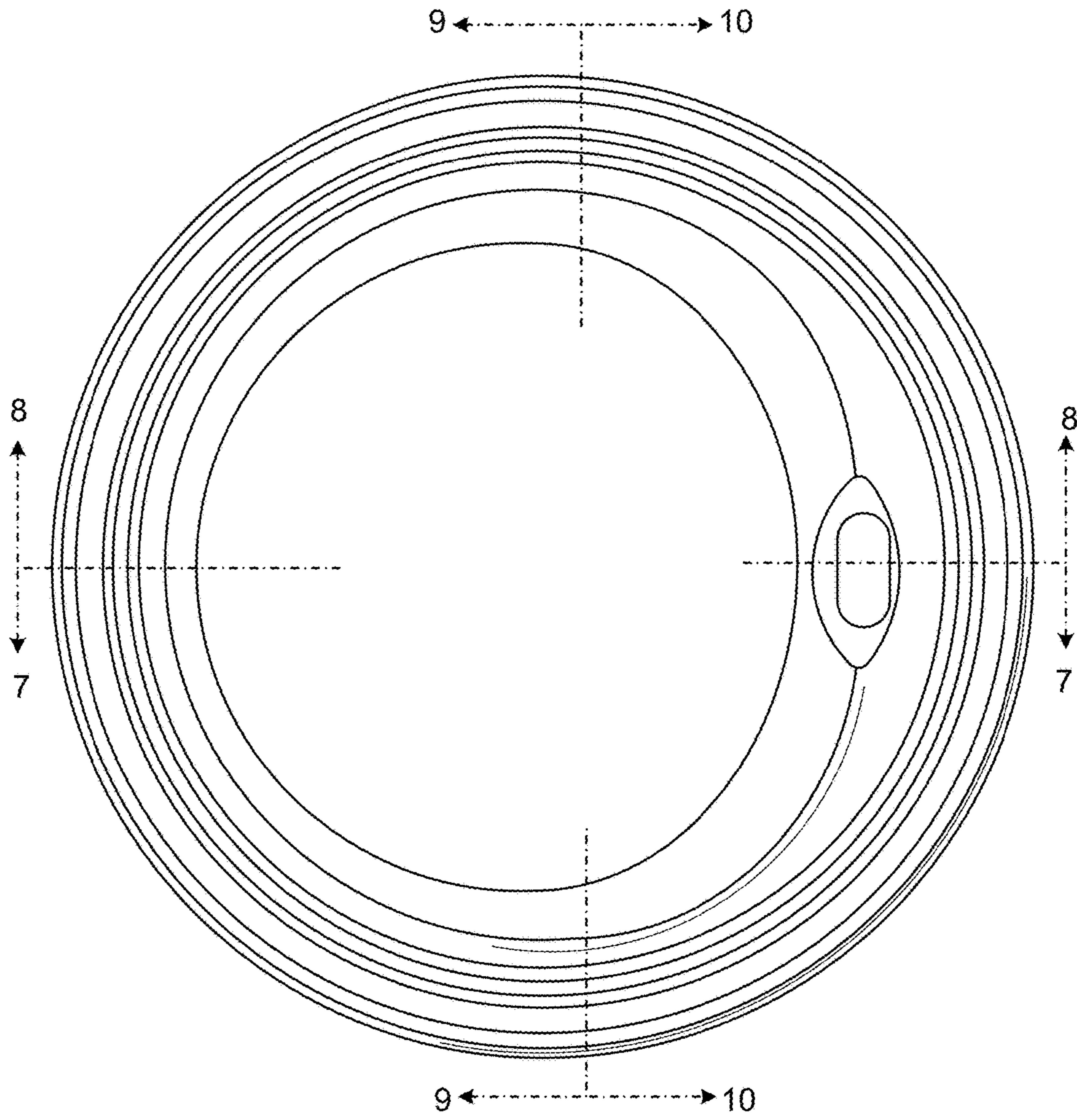


FIG. 5

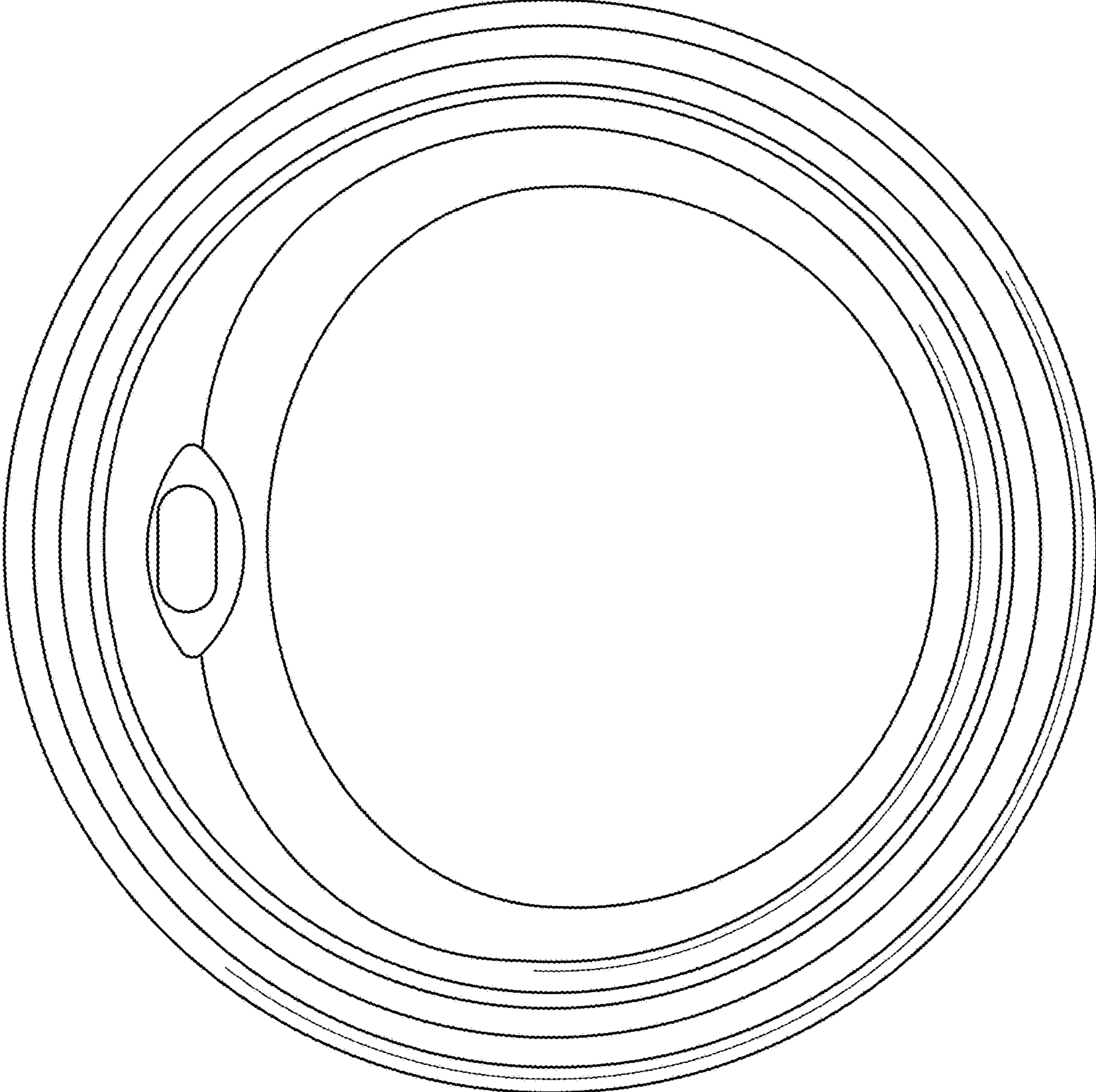


FIG. 6

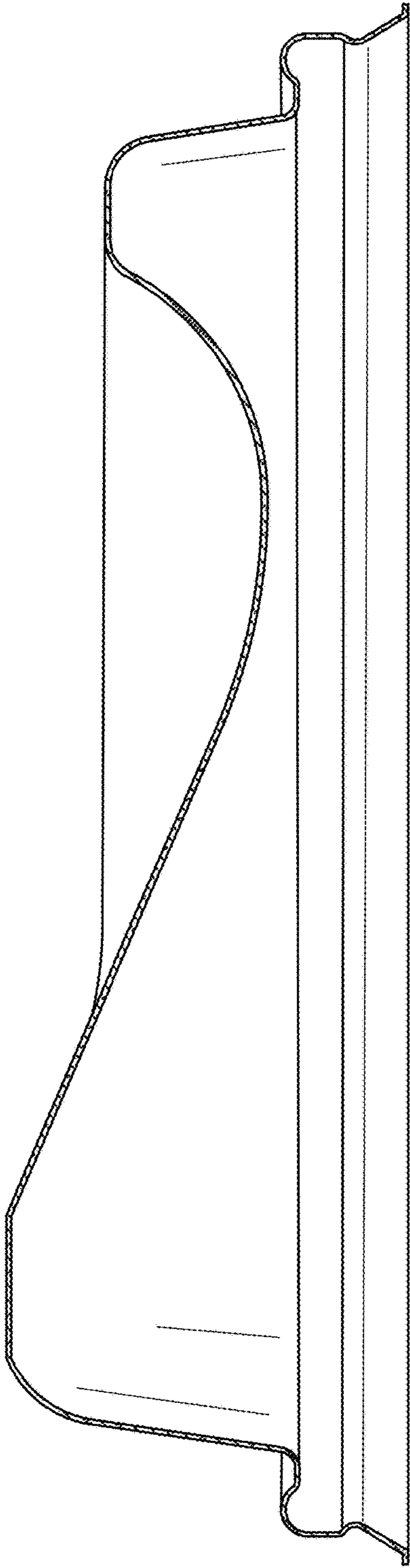


FIG. 7

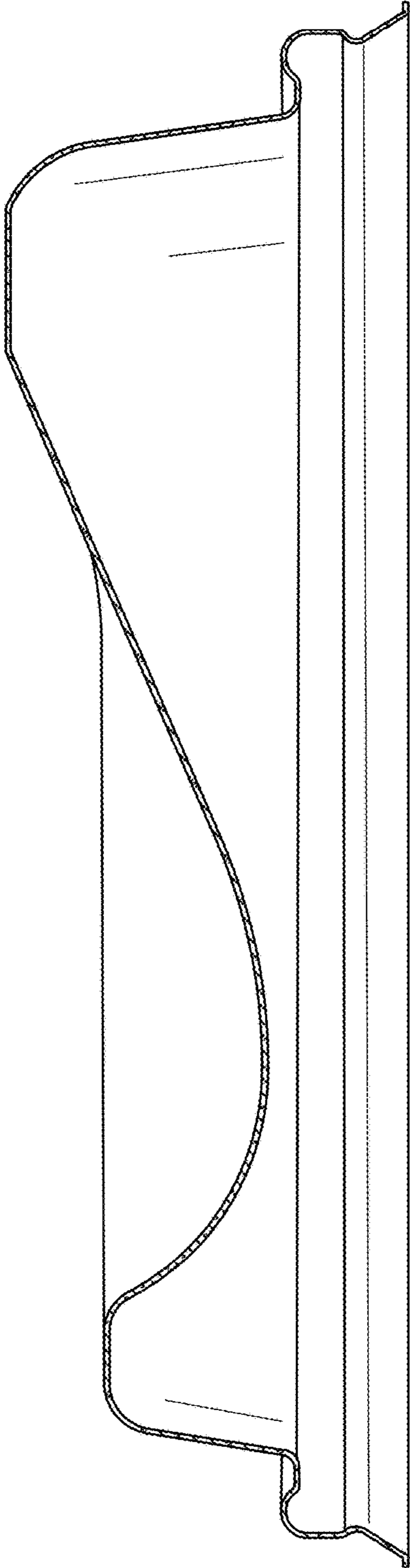


FIG. 8

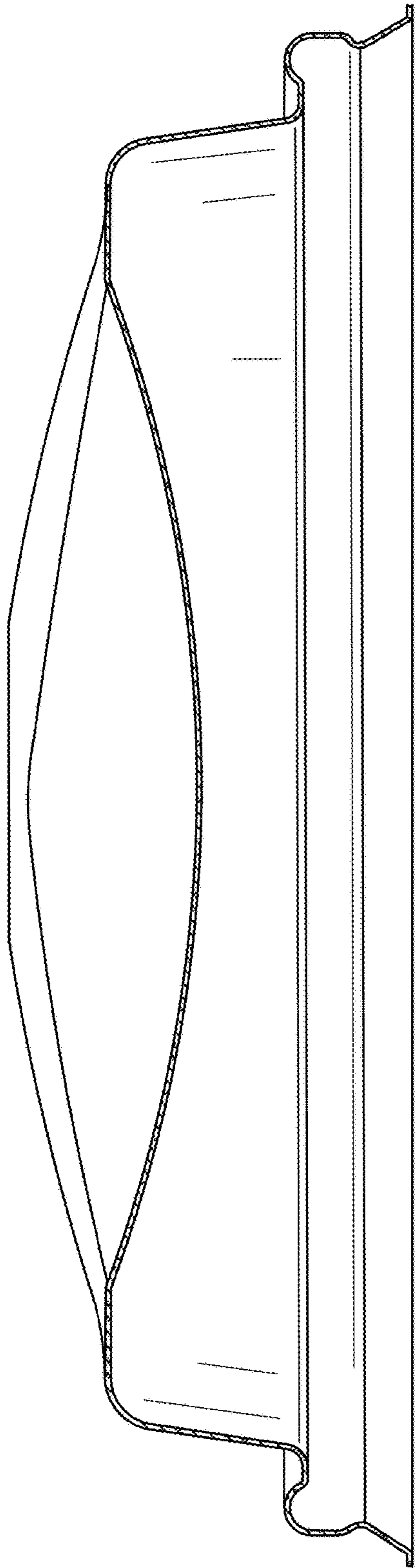


FIG. 9

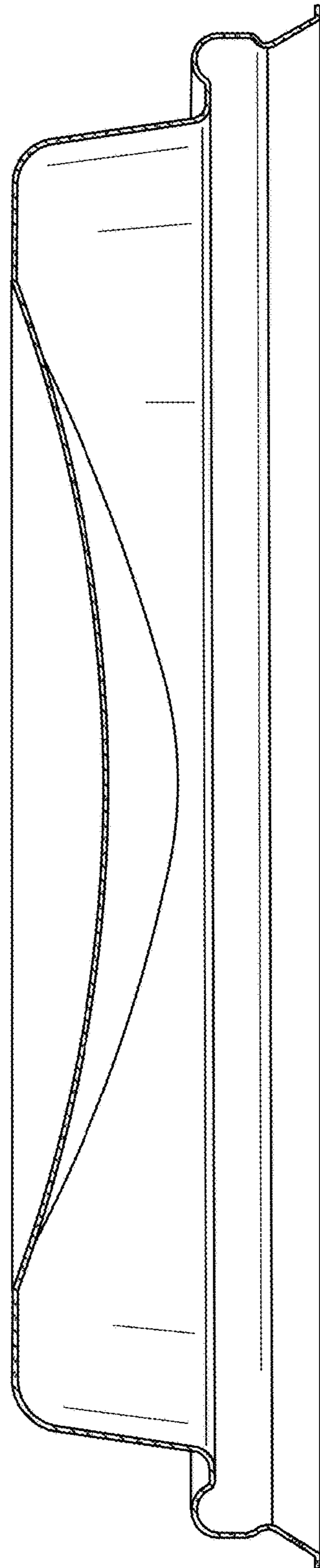


FIG. 10