



US00D822483S

(12) **United States Design Patent** (10) **Patent No.:** **US D822,483 S**
Ahmed et al. (45) **Date of Patent:** **** Jul. 10, 2018**

- (54) **CONTAINER LID**
- (71) Applicant: **Abbott Laboratories**, Abbott Park, IL (US)
- (72) Inventors: **Jameel Ahmed**, Lombard, IL (US); **James Perry**, Gahanna, OH (US); **Matthew L. Phillips**, Litchfield, CT (US); **David Schweitzer**, Weston, CT (US); **Robert Bruno**, Avon, CT (US)
- (73) Assignee: **Abbott Laboratories**, Abbott Park, IL (US)
- (**) Term: **15 Years**
- (21) Appl. No.: **29/596,343**
- (22) Filed: **Mar. 7, 2017**
- (51) **LOC (11) Cl.** **09-07**
- (52) **U.S. Cl.**
USPC **D9/443; D9/435**
- (58) **Field of Classification Search**
USPC D7/391, 392, 392.1, 396.1, 213, 387, D7/396.3, 541, 546, 549, 554.2, 554.3, D7/601, 602, 605, 701, 703, 705, 401.2, D7/637, 653, 691; D9/434-436, 438, D9/443, 447, 455-457, 499, 414, 418, D9/420, 423, 424, 426, 428, 430, 432, D9/440, 444, 446, 449, 453, 703, D9/715-718, 721; D3/202, 212, 294, D3/295, 318
CPC B65D 17/501; B65D 21/0209; B65D 43/163; B65D 51/20; B65D 55/02; B65D 1/22; B65D 43/18
See application file for complete search history.

- (56) **References Cited**
U.S. PATENT DOCUMENTS
D39,250 S * 4/1908 Seib 30/324
D255,973 S * 7/1980 Morin D7/653

- D295,830 S * 5/1988 Holly D9/420
 - D295,961 S * 5/1988 Holly D9/420
 - D373,021 S * 8/1996 Breen D3/276
 - D463,276 S * 9/2002 Piscopo D9/420
 - D533,034 S * 12/2006 Wasserman D7/653
 - D576,035 S * 9/2008 Perry D9/435
 - D578,401 S * 10/2008 Perry D7/605
 - D656,021 S * 3/2012 Dunn D9/435
 - D671,805 S * 12/2012 O'Connell D7/691
 - D676,739 S * 2/2013 McGrath, Jr. D7/629
- (Continued)

OTHER PUBLICATIONS

Baby Things I Want. Materna or Similac? May 11, 2009 [earliest online date], [site visited Feb. 13, 2018]. Available from Internet, <URL:http://www.babythingsiwant.com/2009/05/materna-or-similac.html>. (Year: 2009).*

(Continued)

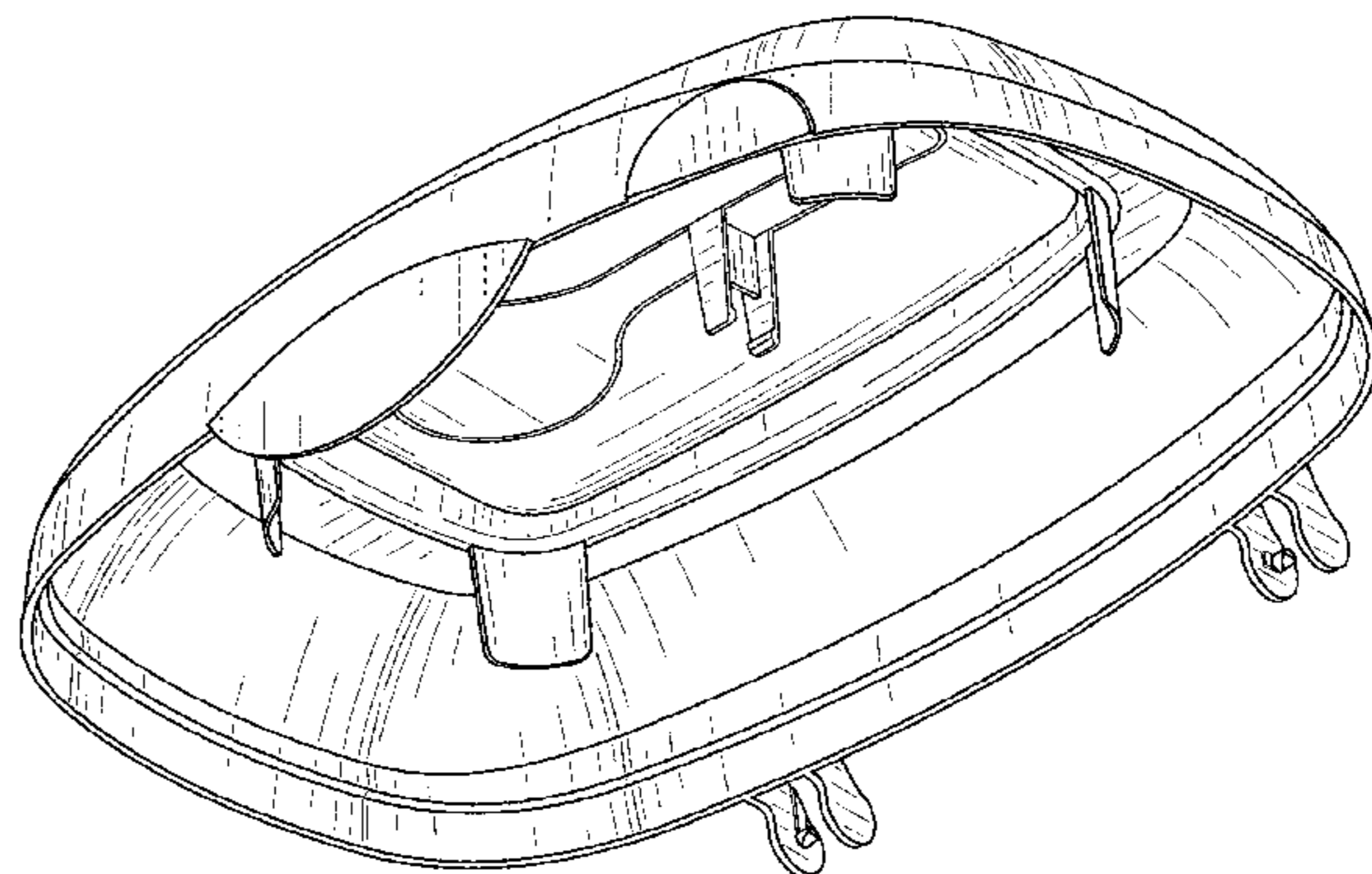
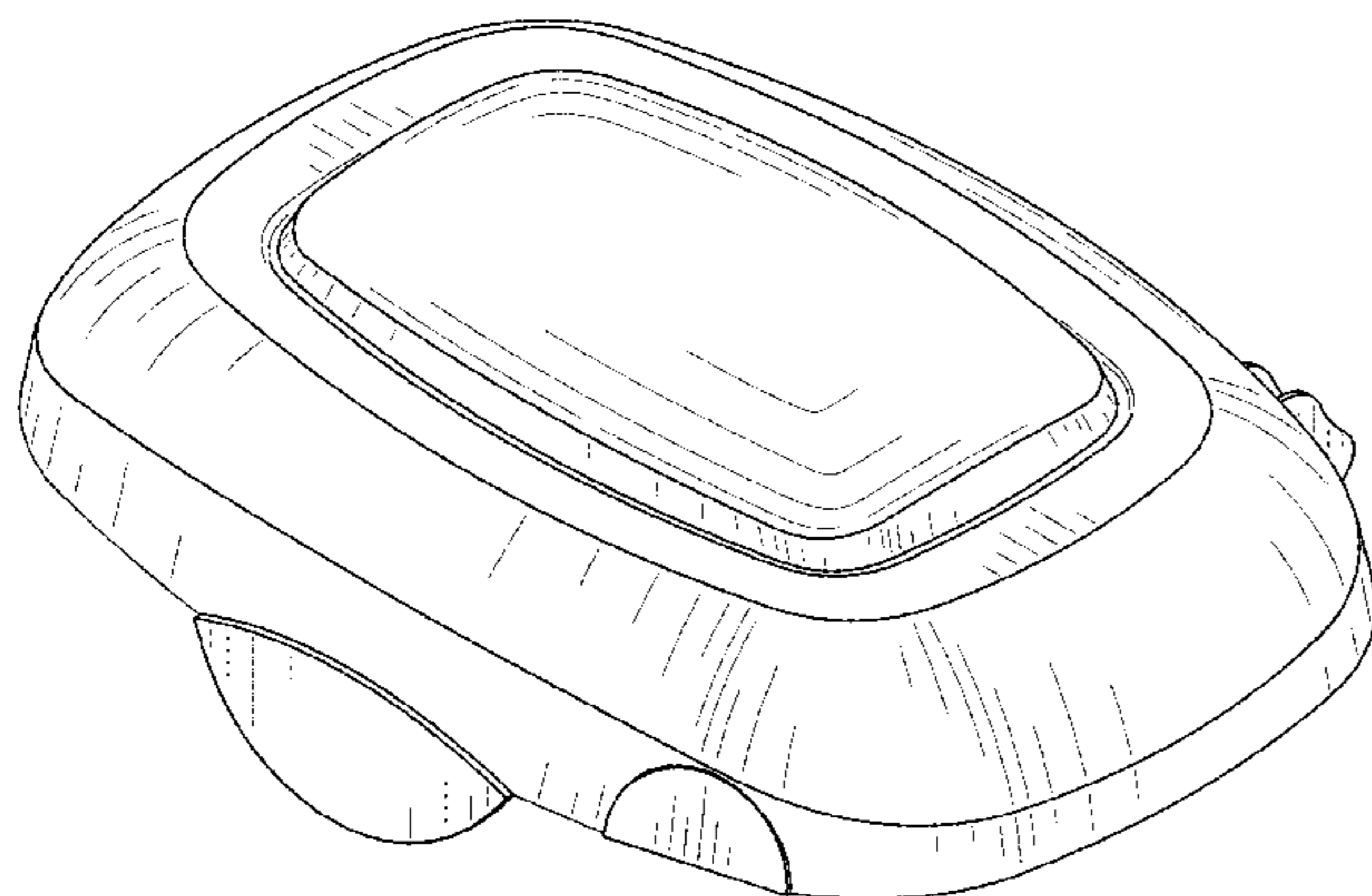
Primary Examiner — Eric L Goodman
Assistant Examiner — Darcey E Heflin
(74) *Attorney, Agent, or Firm* — McAndrews, Held & Malloy, Ltd.

(57) **CLAIM**
The ornamental design for a container lid, as shown and described.

DESCRIPTION

FIG. 1 is a top front perspective view of a container lid showing our new design;
FIG. 2 is a front elevation view thereof;
FIG. 3 is a rear elevation view thereof;
FIG. 4 is a right side elevation view thereof;
FIG. 5 is a left side elevation view thereof;
FIG. 6 is a top plan view thereof;
FIG. 7 is a bottom plan view thereof;
FIG. 8 is a top rear perspective view thereof; and,
FIG. 9 is a bottom front perspective view thereof.

1 Claim, 7 Drawing Sheets



(56)

References Cited

U.S. PATENT DOCUMENTS

D711,200 S * 8/2014 Hoyord D7/691
D729,062 S * 5/2015 Julius D9/435
D742,182 S * 11/2015 Isopahkala D7/642
D805,363 S * 12/2017 Weinberg D7/703
2008/0156805 A1 * 7/2008 Perry B65D 25/2897
220/361
2008/0156806 A1 * 7/2008 Perry B65D 25/2897
220/361
2008/0156808 A1 * 7/2008 Perry B65D 25/2897
220/560.03
2017/0096268 A1 * 4/2017 Perry B65D 51/24
2018/0022505 A1 * 1/2018 Herlin B65D 15/08

OTHER PUBLICATIONS

Blogspot.com. Julie Dunkle Ironman—EAS Protein Powder and Electrolytes. Apr. 18, 2015 [earliest online date], [site visited Feb. 13, 2018]. Available from Internet, <URL:<http://jdunkle.blogspot.com/2015/04/eas-protein-powder-and-electrolytes.html>>. (Year: 2015).*

* cited by examiner

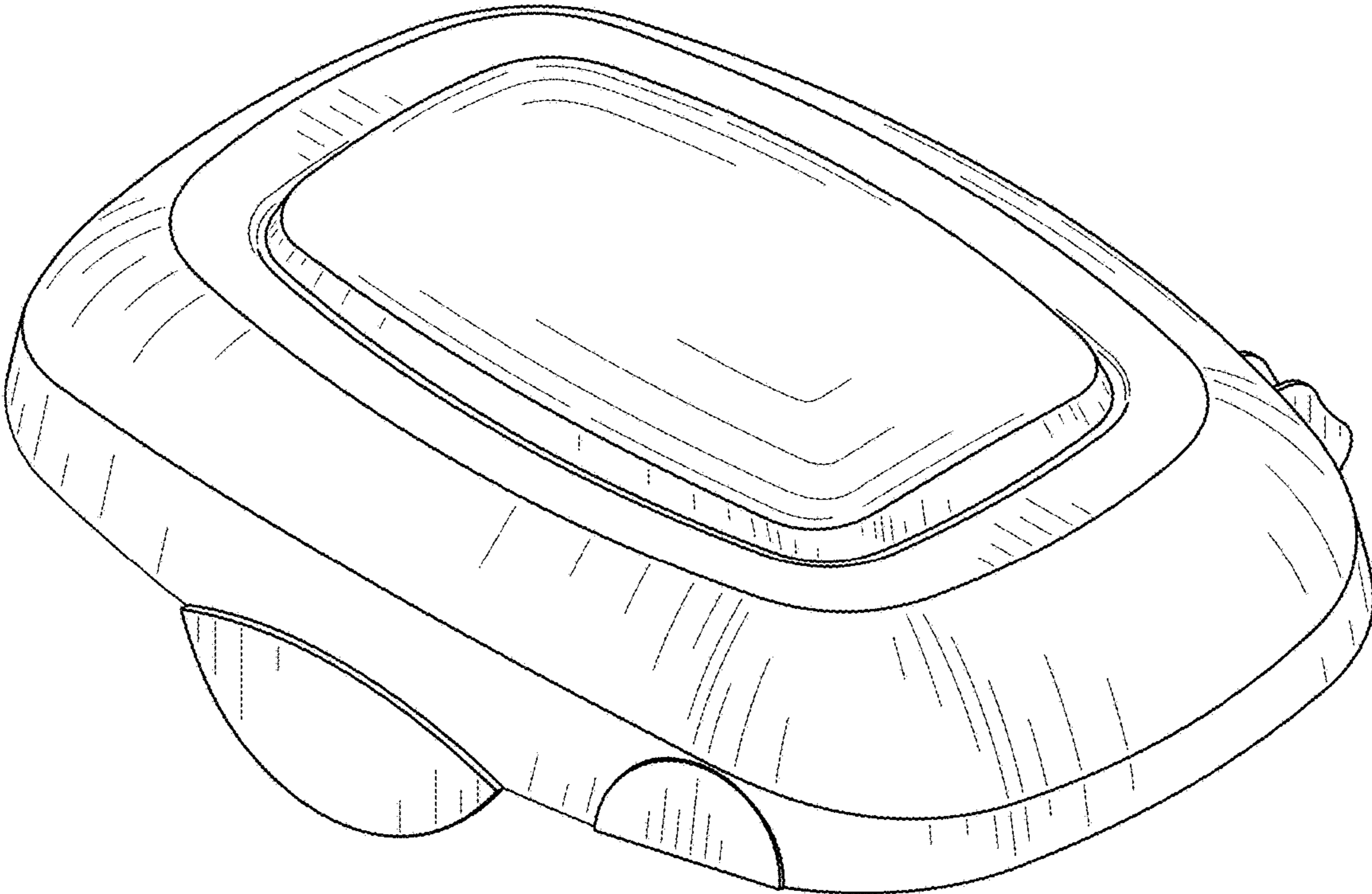


FIG. 1

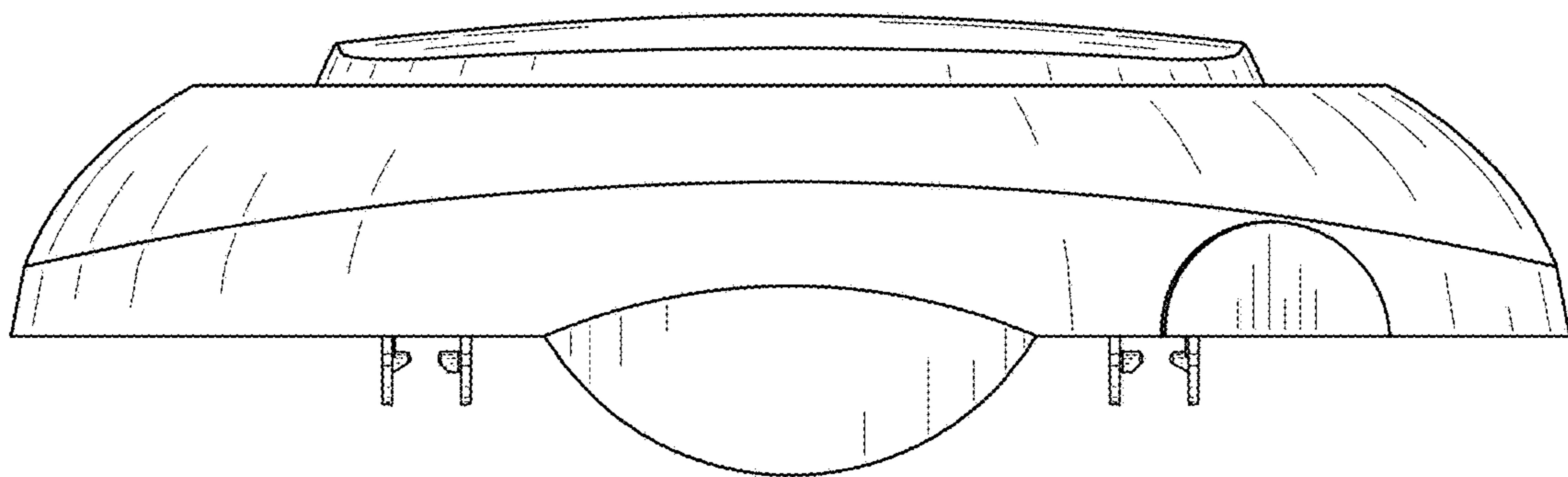


FIG. 2

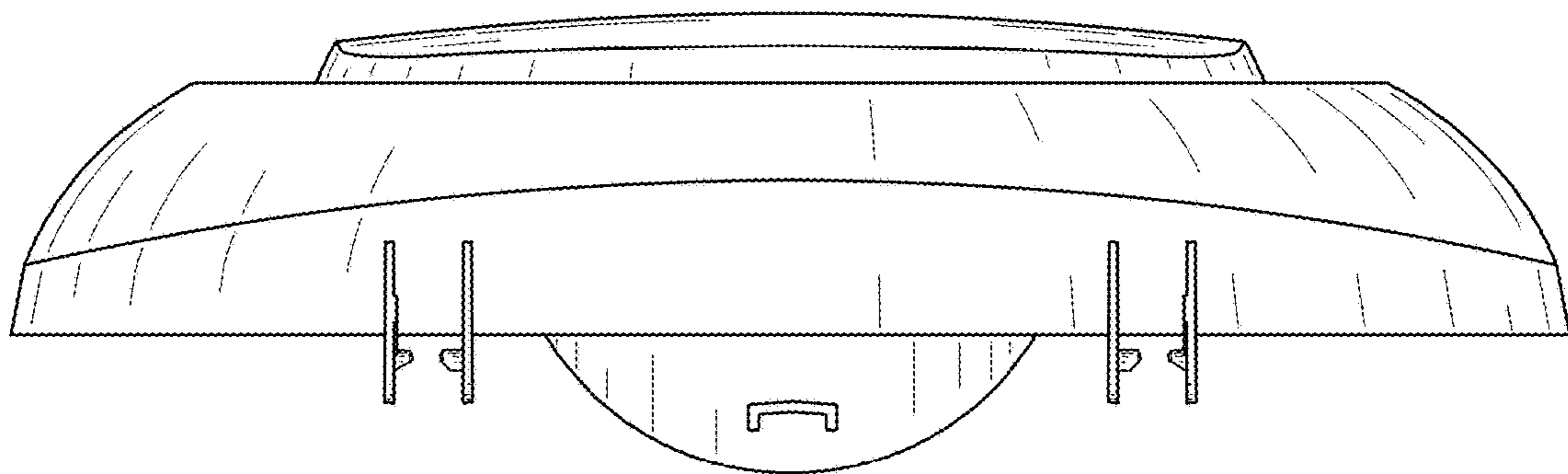


FIG. 3

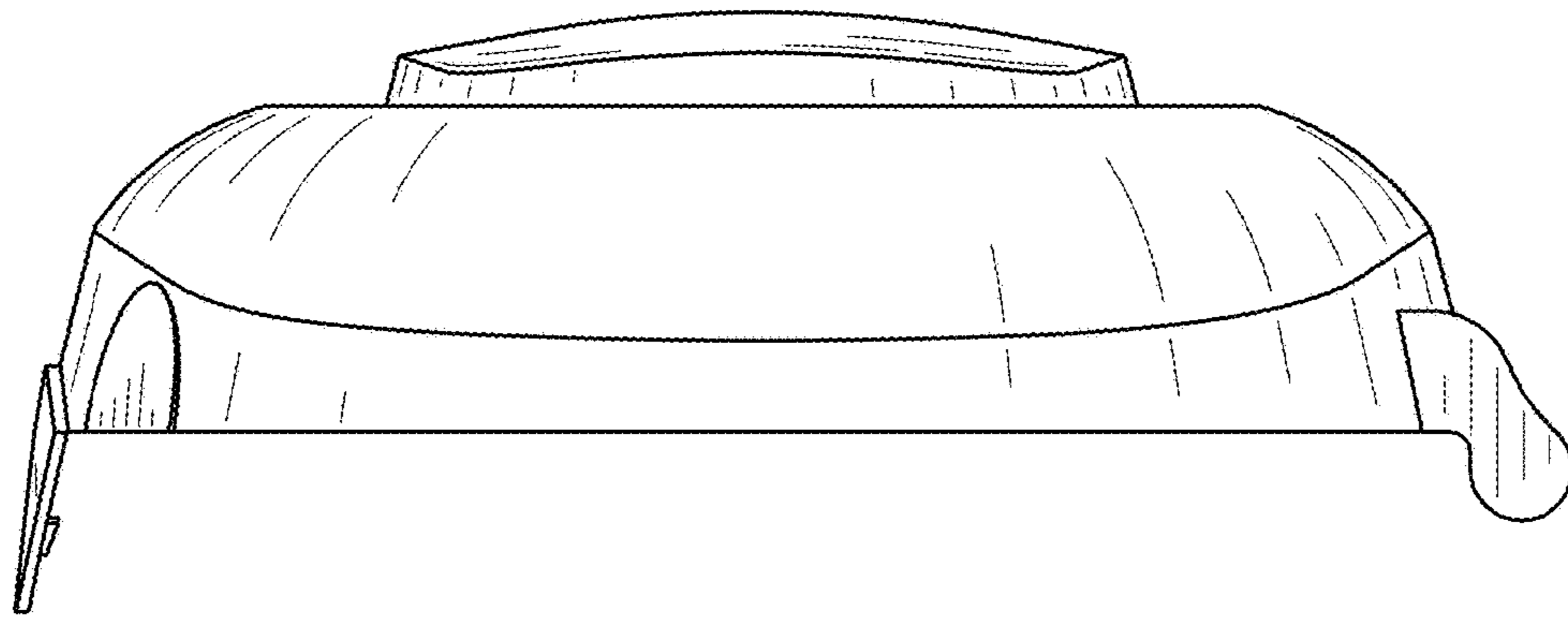


FIG. 4

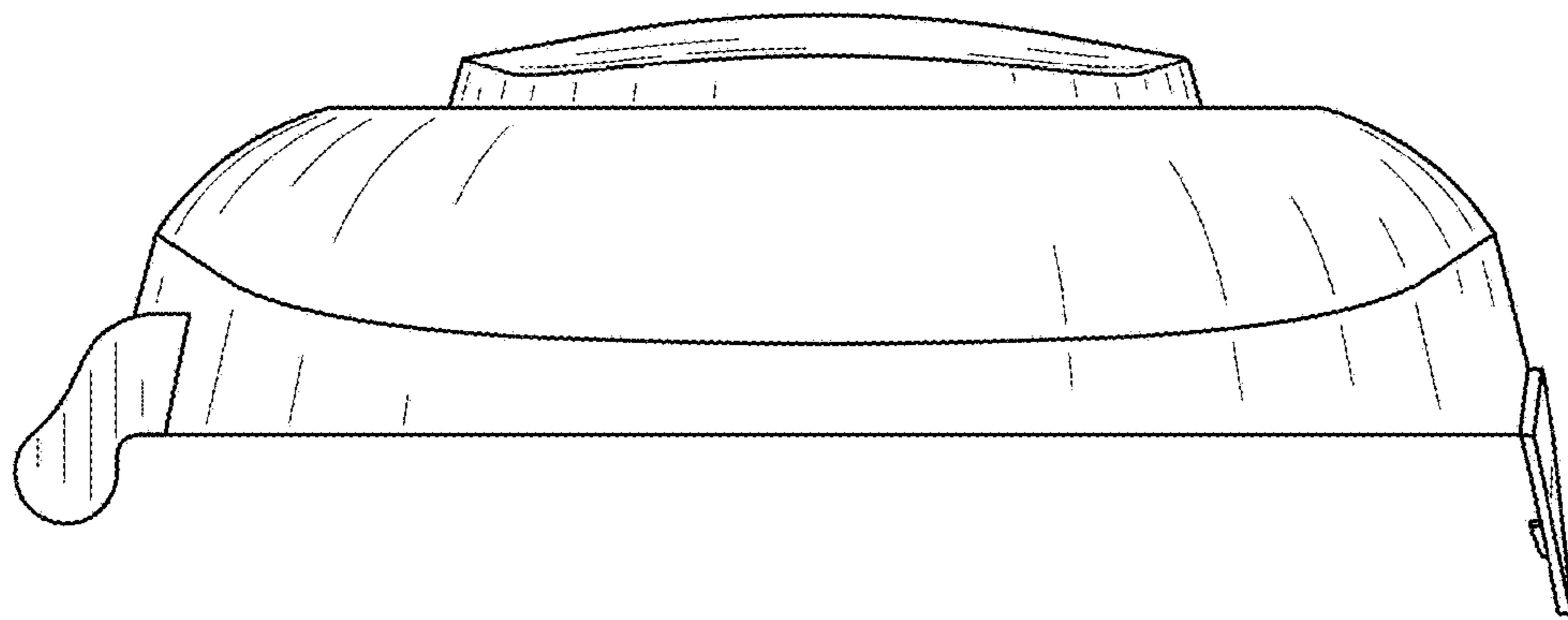


FIG. 5

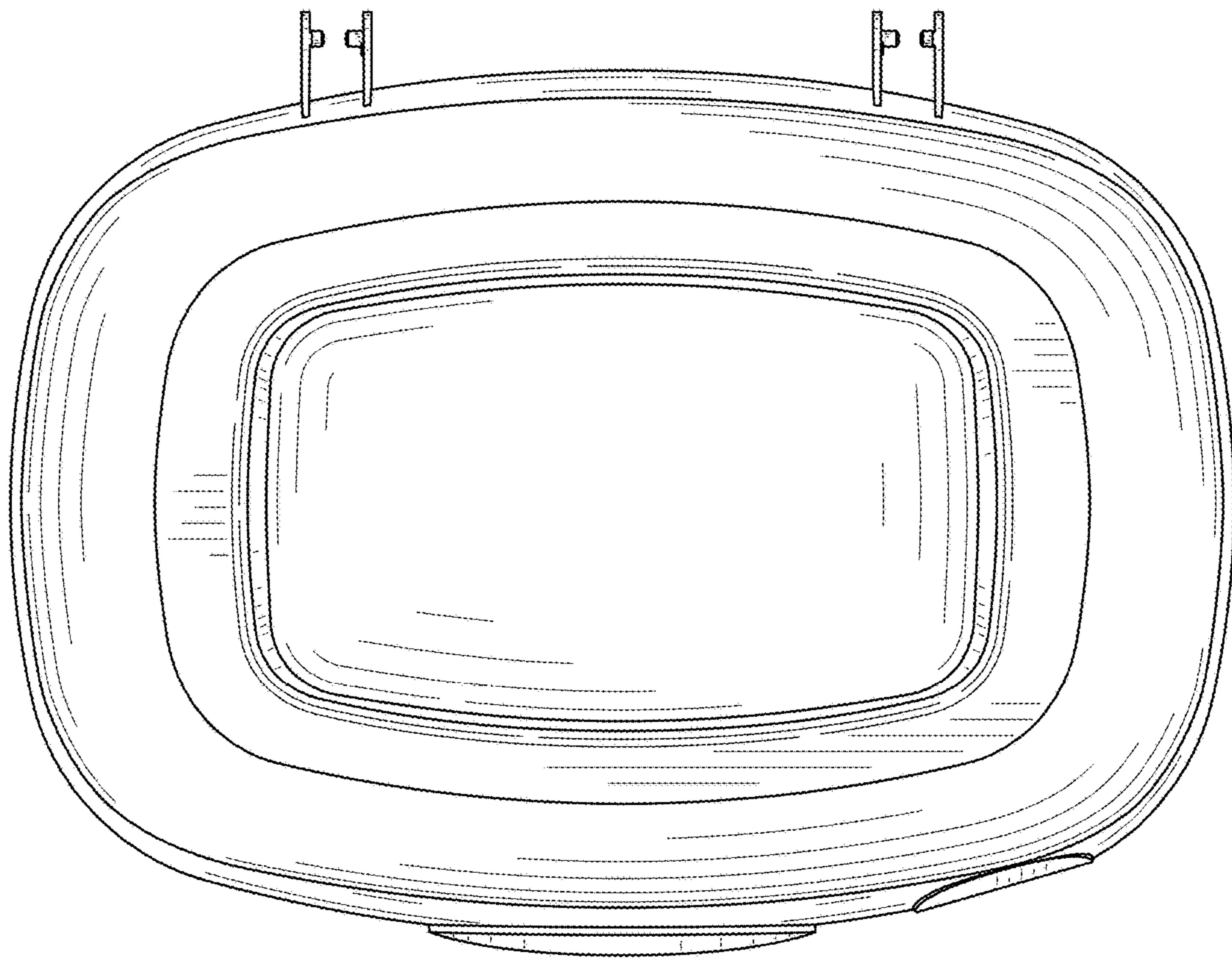


FIG. 6

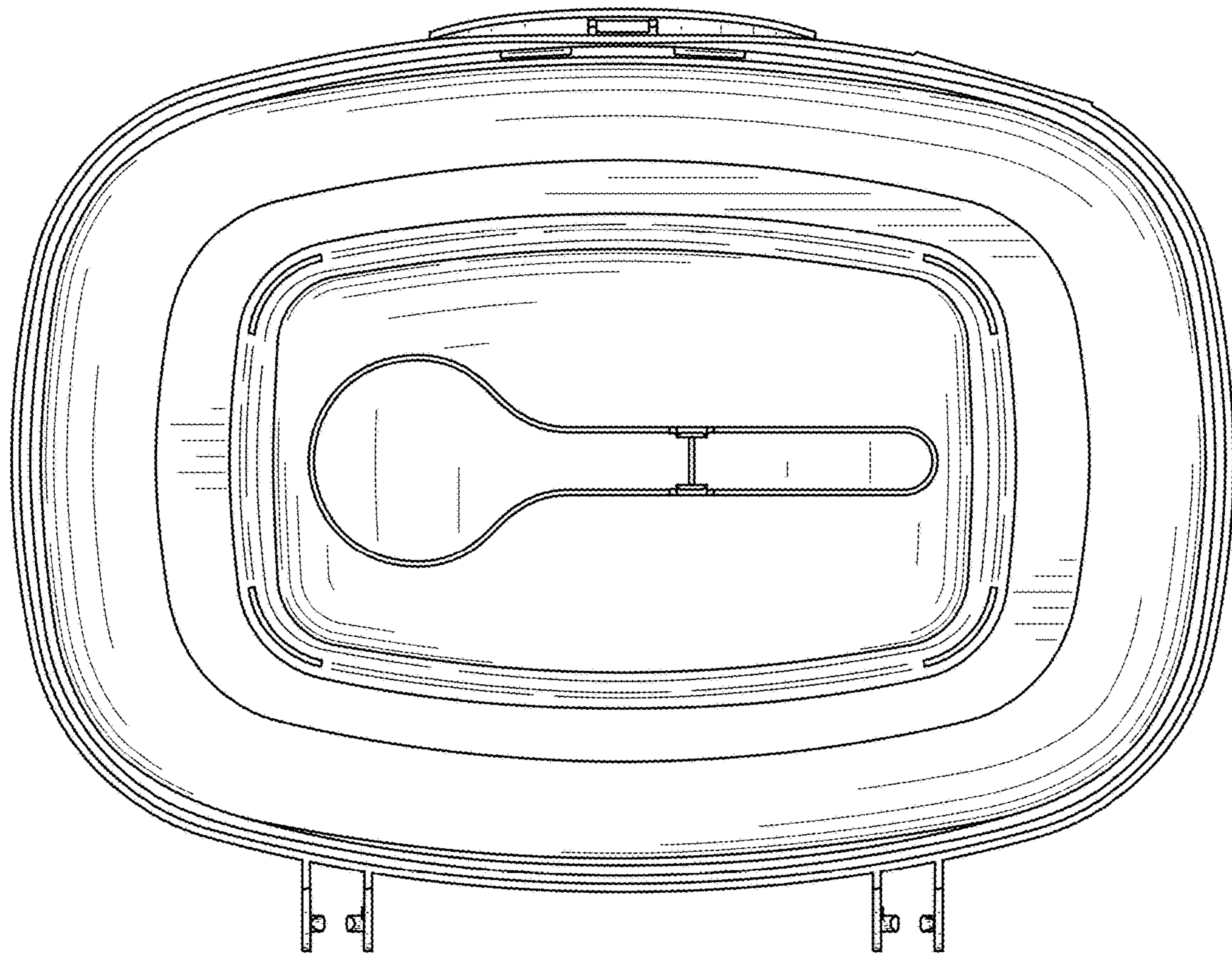


FIG. 7

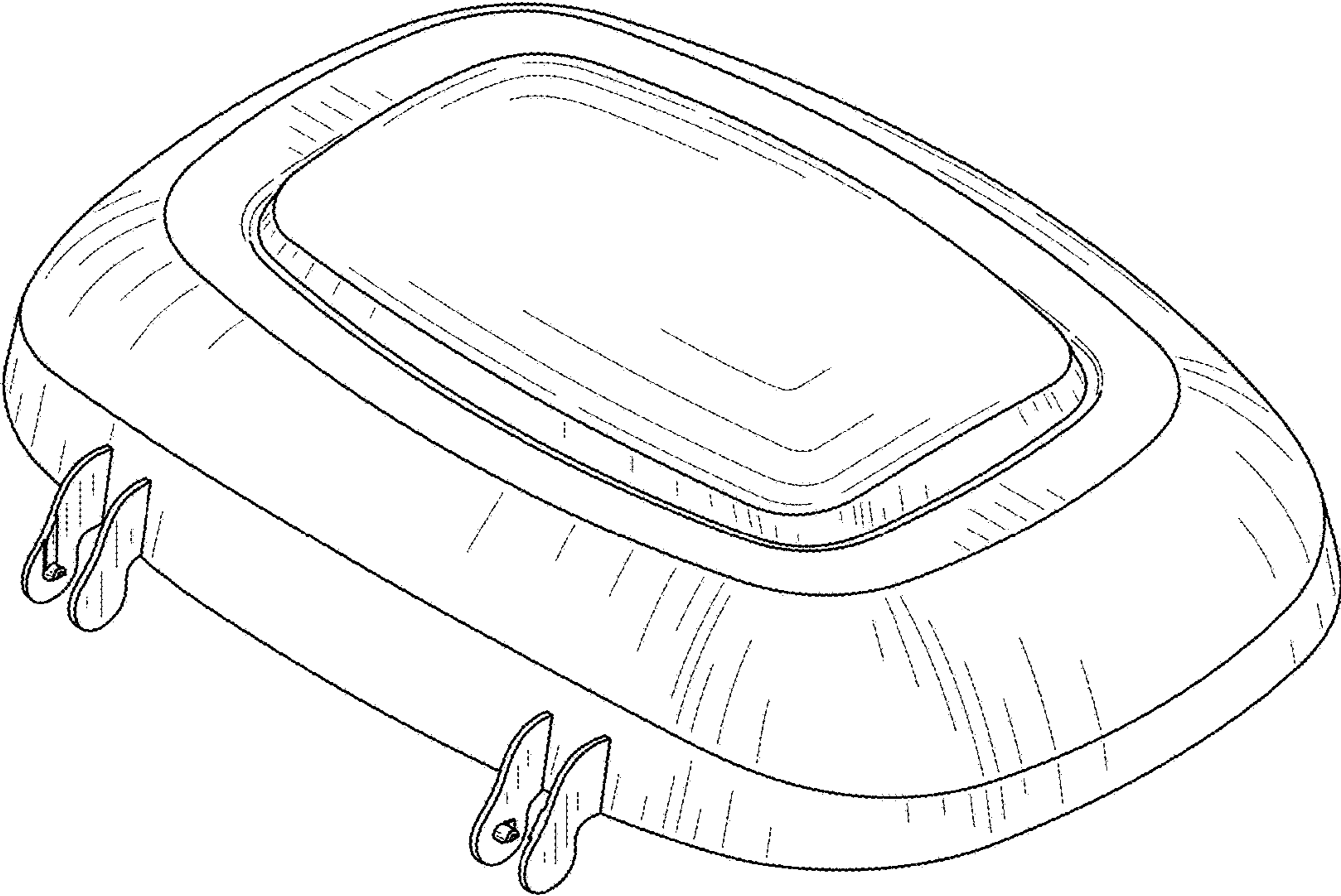


FIG. 8

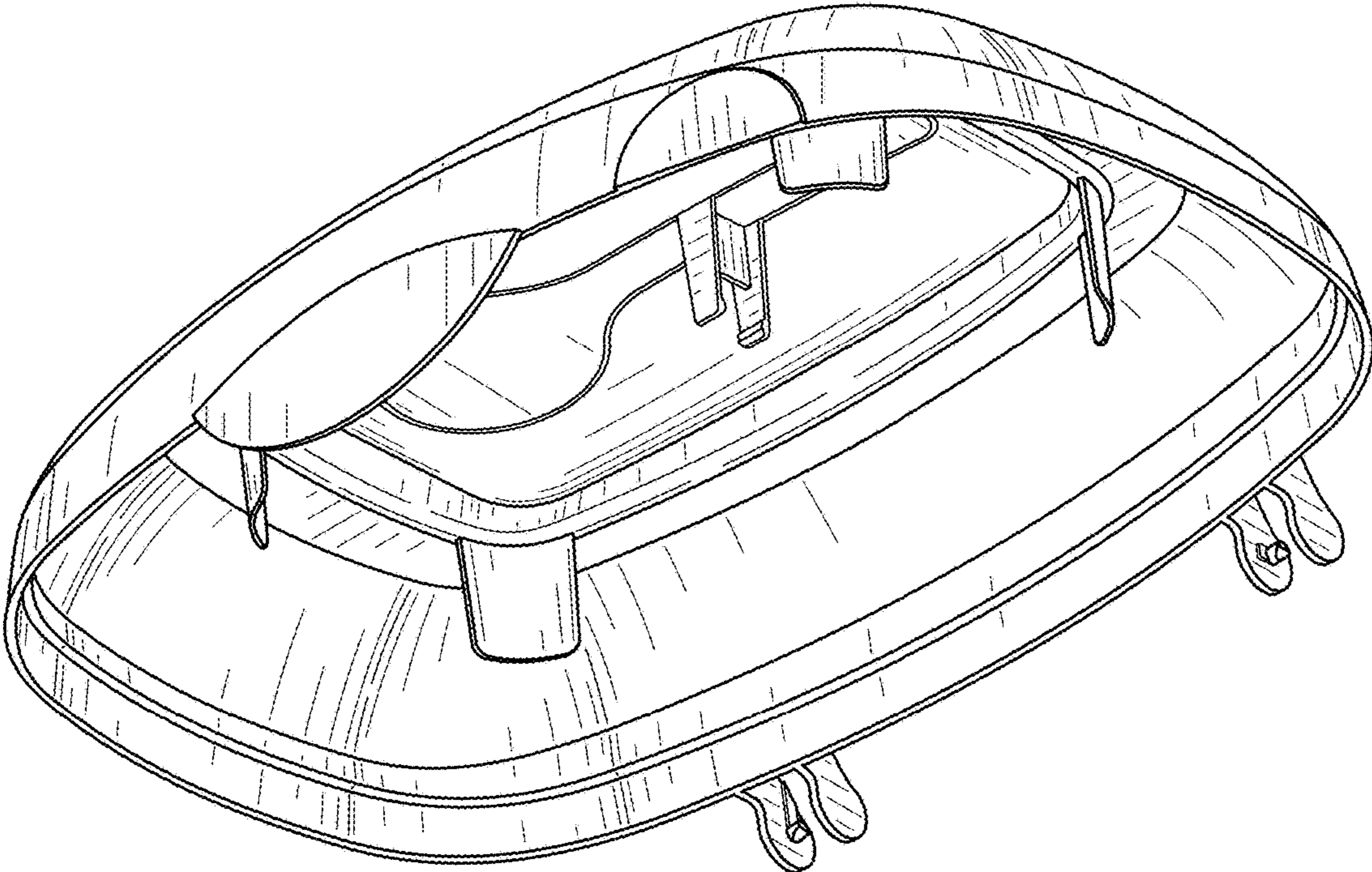


FIG. 9