



US00D822482S

(12) **United States Design Patent** (10) **Patent No.:** **US D822,482 S**  
**Dib et al.** (45) **Date of Patent:** **\*\* Jul. 10, 2018**

(54) **OCTAGONAL CONTAINER**  
(71) Applicants: **Georgette Dib**, Redmond, WA (US);  
**Aaron Braggs**, Woodinville, WA (US)  
(72) Inventors: **Georgette Dib**, Redmond, WA (US);  
**Aaron Braggs**, Woodinville, WA (US)  
(73) Assignee: **Adapted Brand, LLC**, Redmond, WA  
(US)  
(\*\*) Term: **15 Years**  
(21) Appl. No.: **29/585,239**  
(22) Filed: **Nov. 22, 2016**  
(51) **LOC (11) Cl.** ..... **09-03**  
(52) **U.S. Cl.**  
USPC ..... **D9/430**  
(58) **Field of Classification Search**  
USPC ..... D9/414-419, 420-423, 430-434,  
D9/721-722; D3/290, 304, 305, 315;  
D20/10, 22, 27, 40, 42  
CPC ..... B65D 5/00; B65D 5/0015; B65D 5/061;  
B65D 5/18; B65D 5/20; B65D 5/32;  
B65D 5/321; B65D 5/322  
See application file for complete search history.

D672,645 S \* 12/2012 Giannini ..... D9/430  
D756,037 S \* 5/2016 Schlatter ..... D28/85  
D778,732 S \* 2/2017 Pelfrey ..... D6/515  
D786,668 S \* 5/2017 Cornaglia ..... D9/418  
2003/0116612 A1\* 6/2003 Polloni ..... B65D 85/1072  
229/109  
2006/0278688 A1\* 12/2006 Learn ..... B65D 5/0218  
229/116.1

**OTHER PUBLICATIONS**

Discover Asscher Container Online. [online] Published on Jan. 5, 2016. Retrieved Oct. 16, 2017 from URL:https://www.waterworks.com/asscher-container-ahco01?gdffi=ad04be39c17d4f6da92f6ad90a2c80fc&gdfms=0FE3312E1C034D808EB4501EB02A888C&atrkid=V3ADWBBB22378\_41568800629\_pla-326010899724\_193359187401\_s\_c\_pla\_1o3&gclid=EA1alQob.\*

\* cited by examiner

*Primary Examiner* — Vy N Koenig  
(74) *Attorney, Agent, or Firm* — Ruttier Mills, PLLC;  
James J. Ruttier

(57) **CLAIM**

The ornamental design for an octagonal container, as shown and described.

(56) **References Cited**

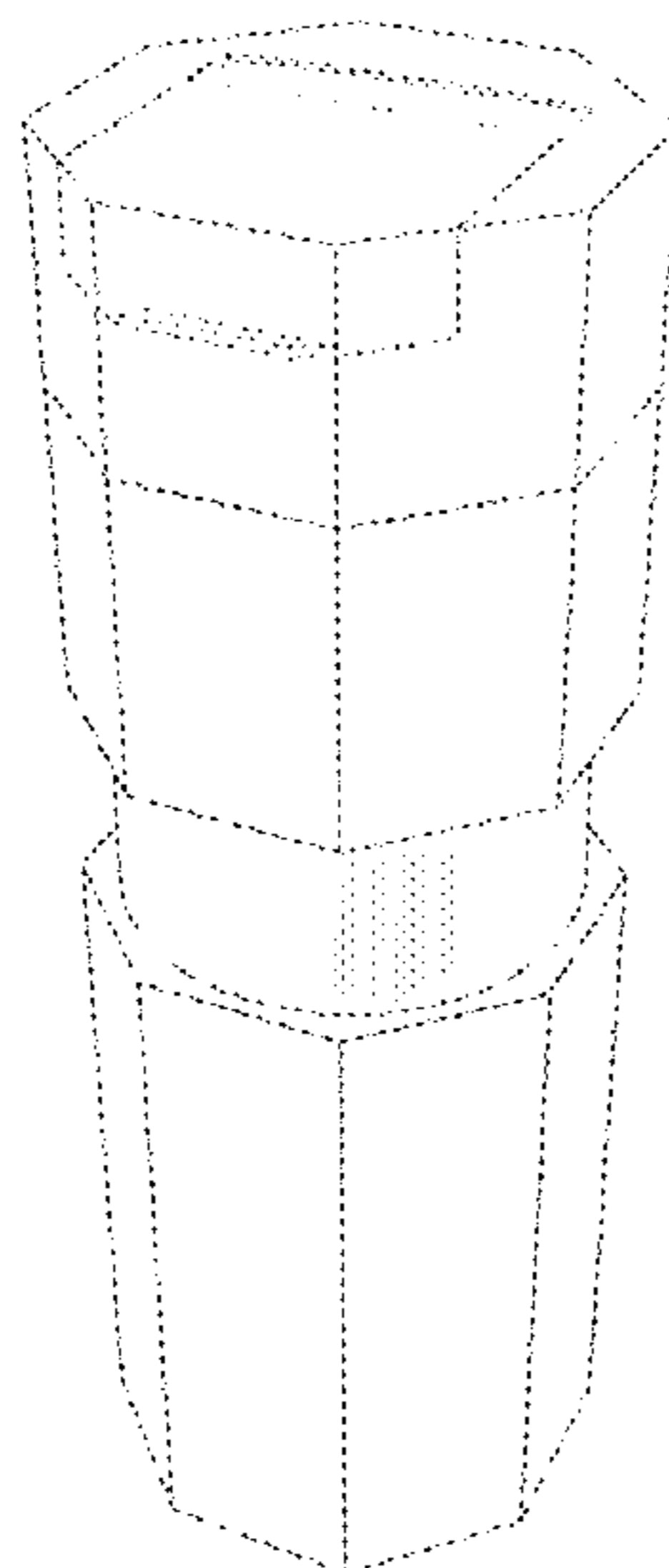
**U.S. PATENT DOCUMENTS**

D266,487 S \* 10/1982 Mansau ..... D9/430  
D324,823 S \* 3/1992 Scarpa ..... D9/430  
D328,168 S \* 7/1992 Bartle ..... D34/1  
D328,706 S \* 8/1992 Ruff ..... D9/430  
D429,429 S \* 8/2000 Murphy ..... D6/678  
D472,466 S \* 4/2003 Weinstein ..... D9/430  
D472,467 S \* 4/2003 Weinstein ..... D9/430  
D617,184 S \* 6/2010 Sneva ..... D9/430  
D628,884 S \* 12/2010 Smith ..... D9/430  
D644,099 S \* 8/2011 Martinez Rodriguez ..... D9/418  
D644,508 S \* 9/2011 Martinez Rodriguez ..... D9/418  
D656,394 S \* 3/2012 Smith ..... D9/433

**DESCRIPTION**

FIG. 1 is a front elevational view of an octagonal container; FIG. 2 is rear elevational view thereof; FIG. 3 is a left-side elevational view thereof; FIG. 4 is a right-side elevational view thereof; FIG. 5 is a top plan view thereof; FIG. 6 is a bottom plan view thereof; and, FIG. 7 is a perspective view thereof. The broken lines illustrated represent environmental subject matter that forms no part of the claimed design.

**1 Claim, 7 Drawing Sheets**



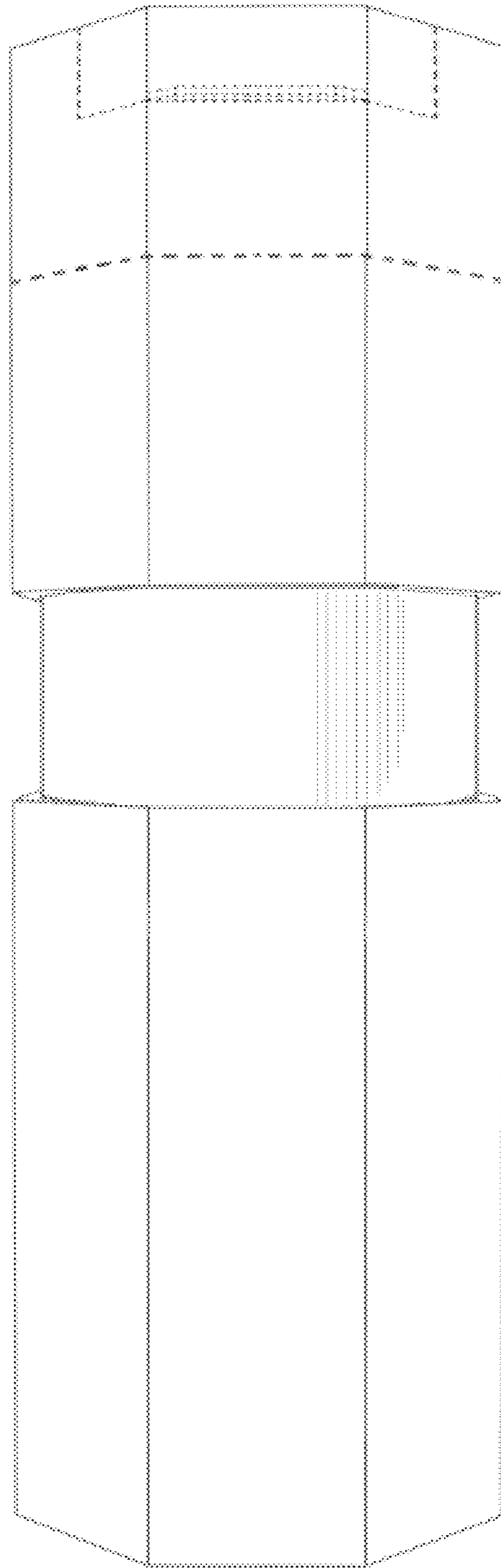


FIG. 1

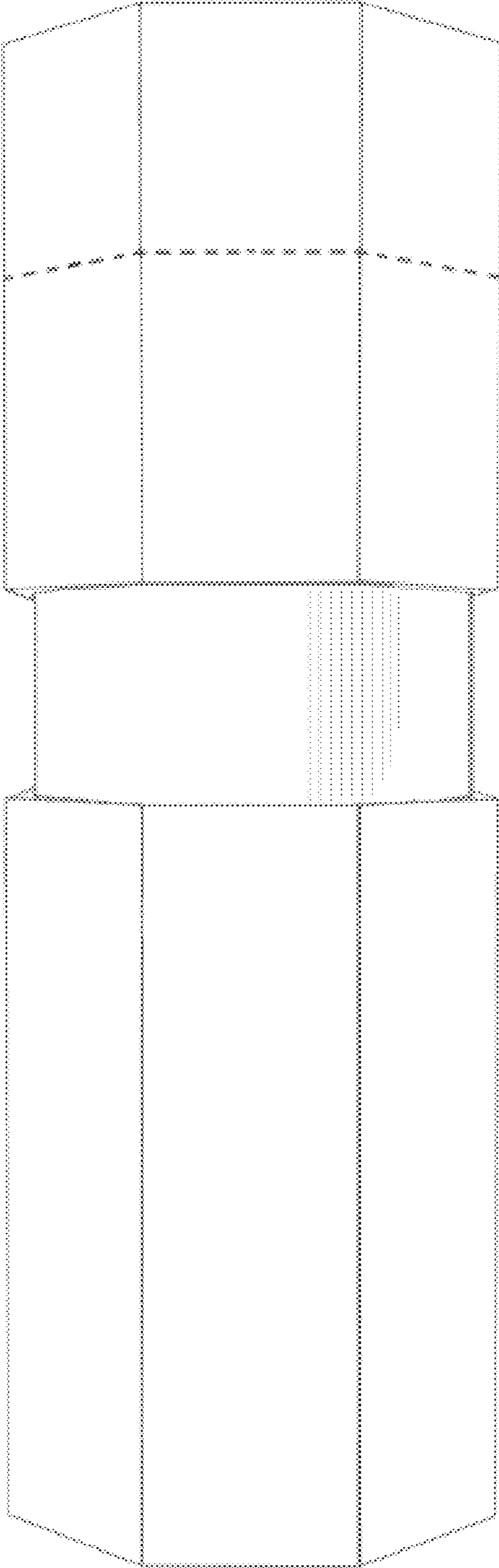


FIG. 2

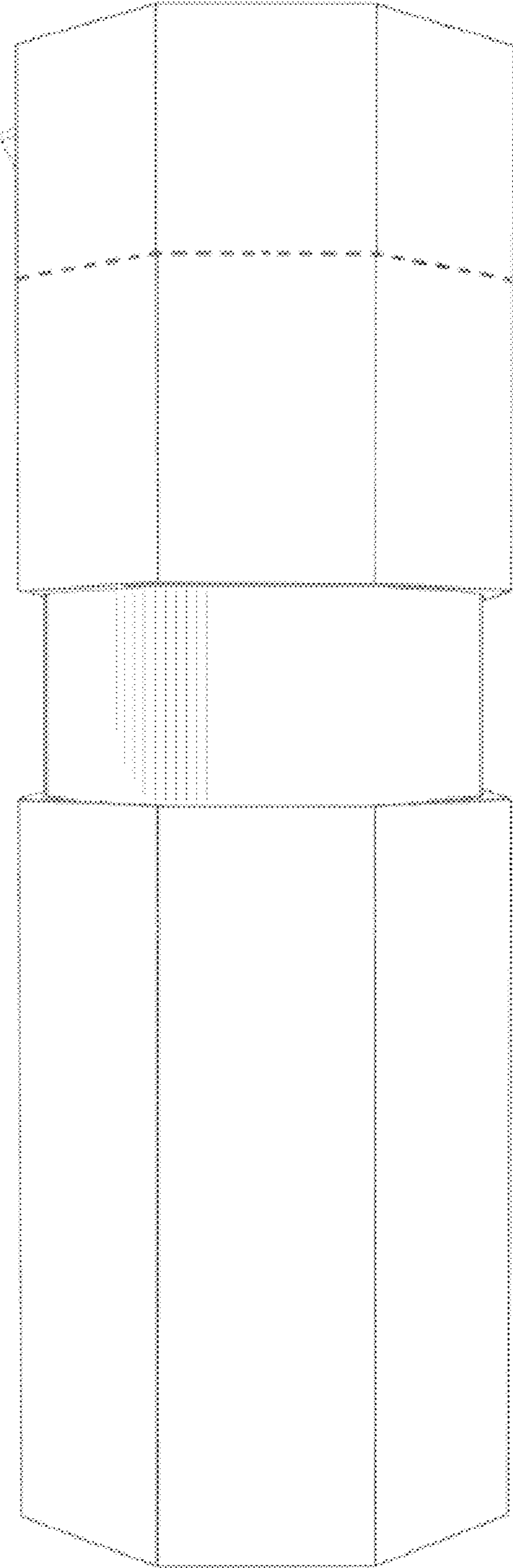


FIG. 3

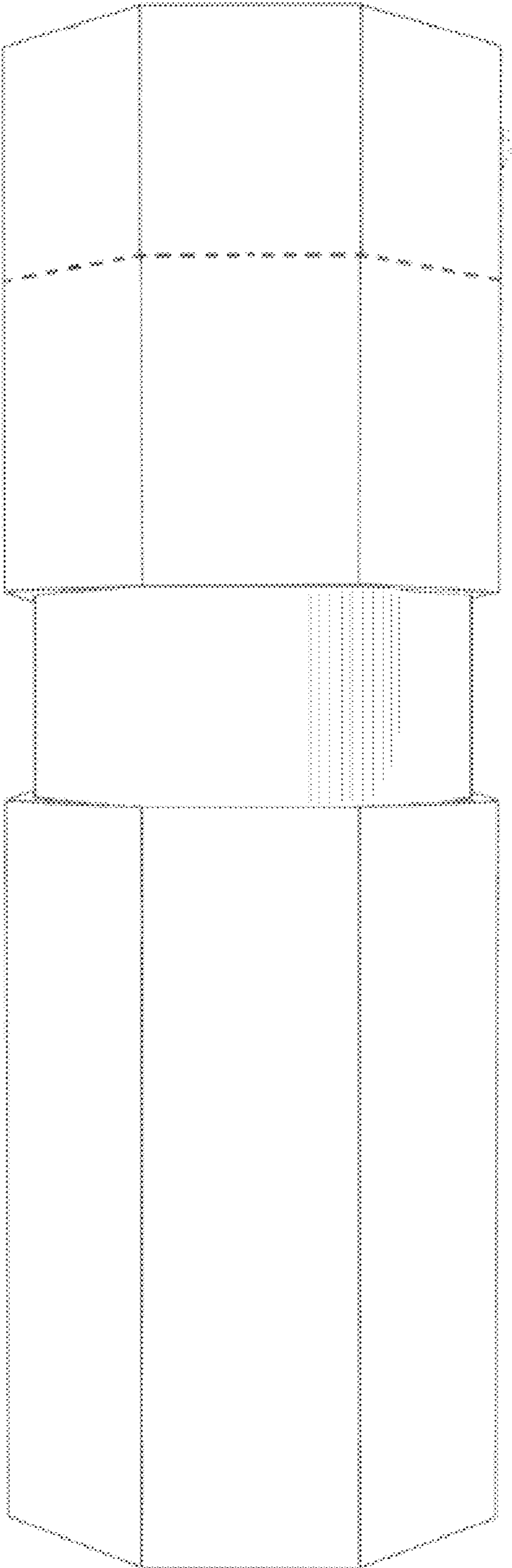


FIG. 4

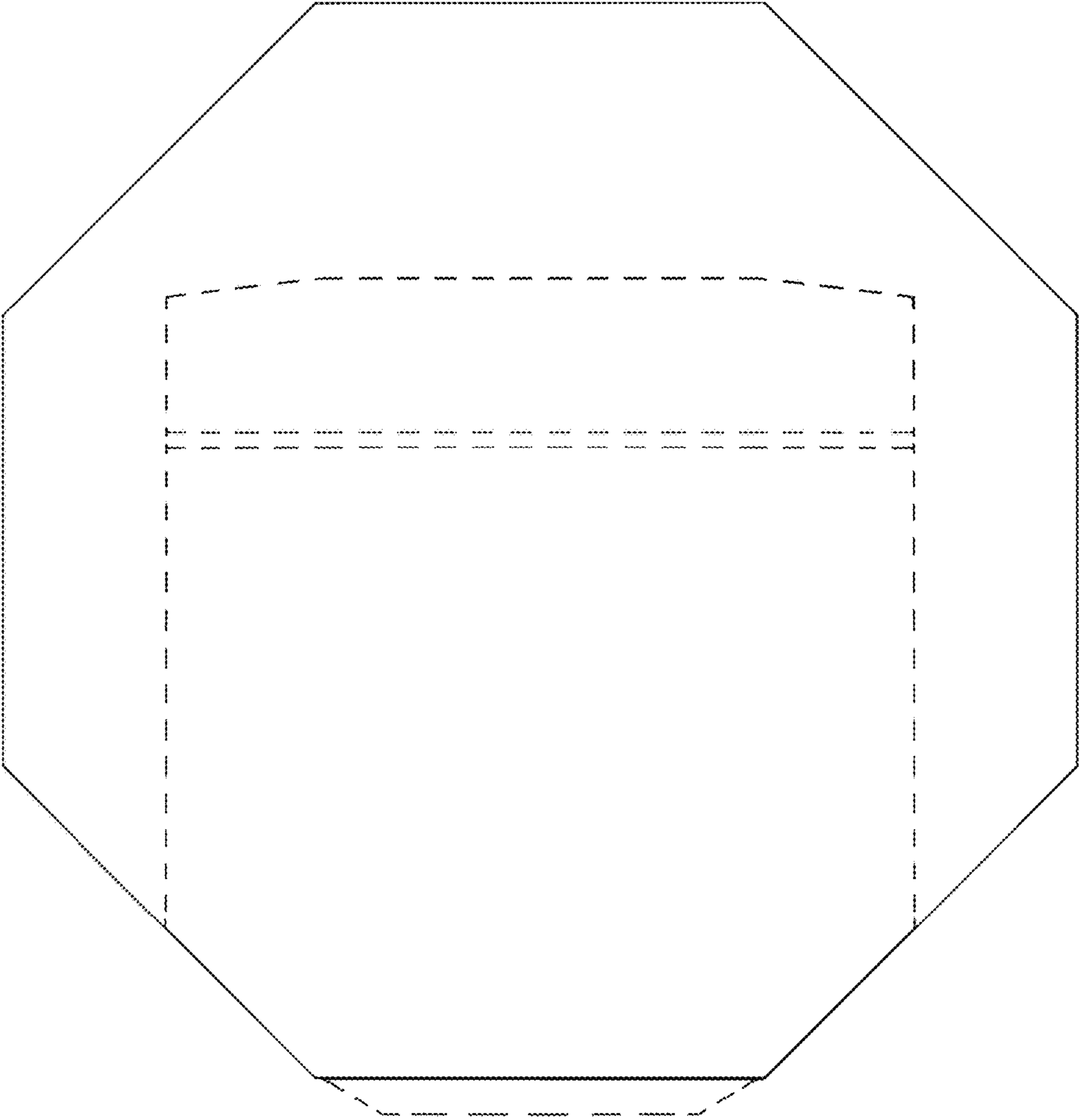


FIG. 5

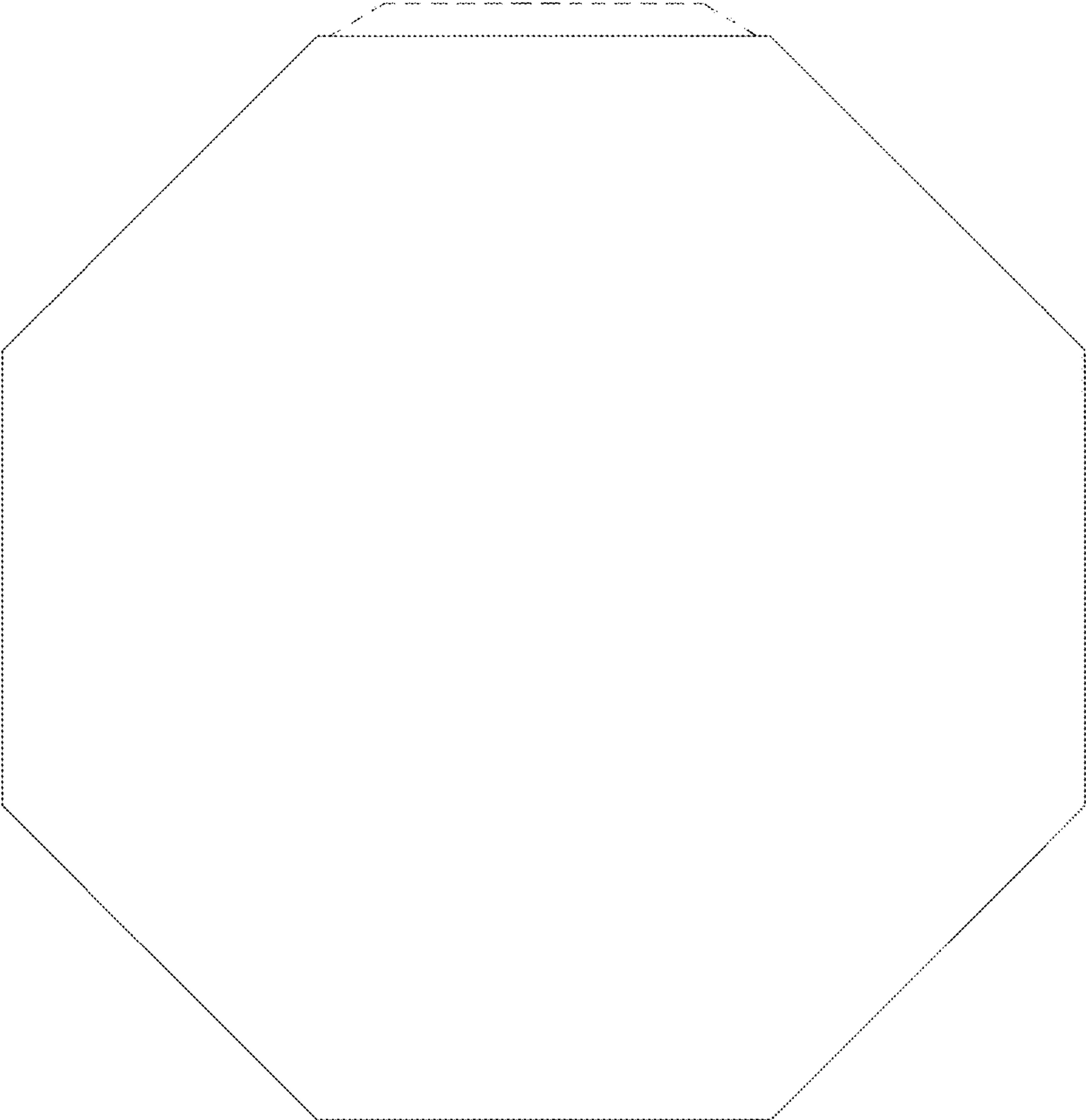


FIG. 6

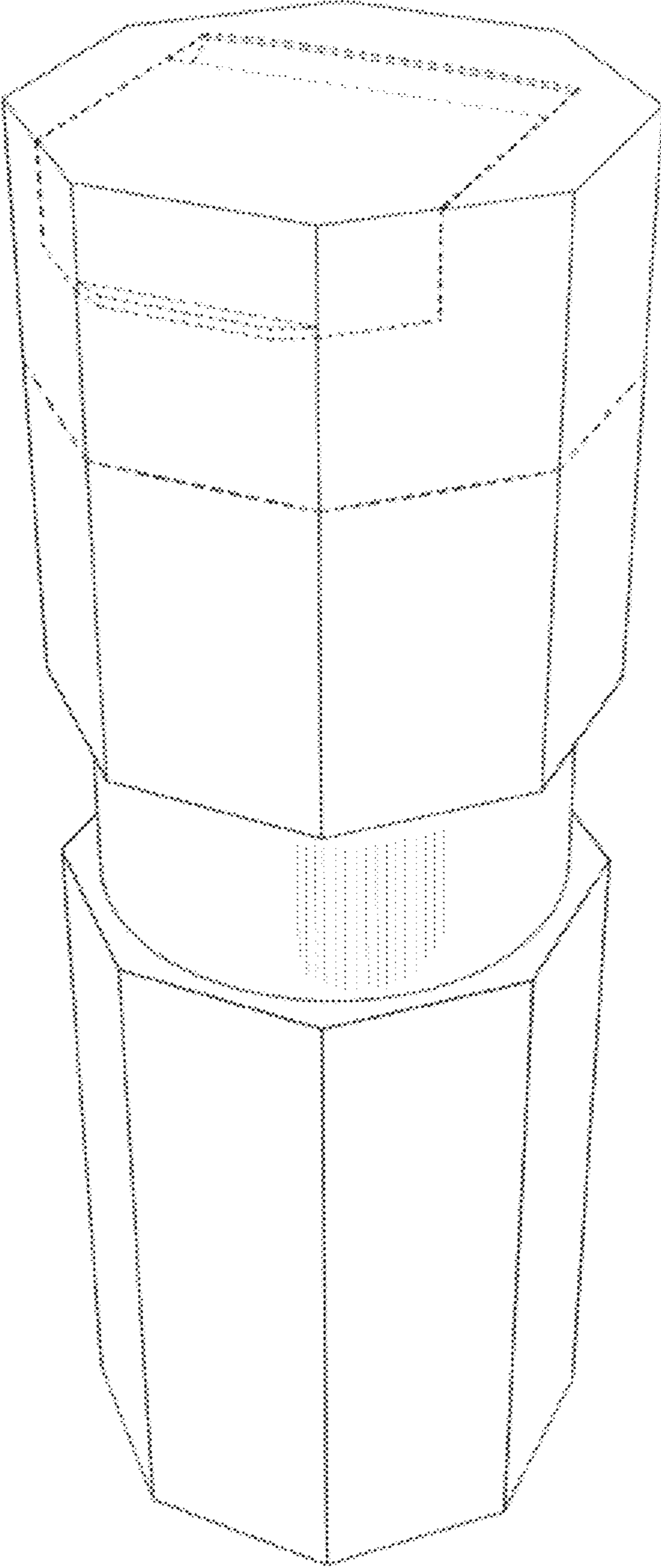


FIG. 7