



US00D822481S

(12) **United States Design Patent** (10) **Patent No.:** **US D822,481 S**
Rivera (45) **Date of Patent:** **** Jul. 10, 2018**

(54) **PACKAGING BOX**
(71) Applicant: **Healthland, LLC**, Brea, CA (US)
(72) Inventor: **Max Rivera**, Los Angeles, CA (US)
(73) Assignee: **GURUNANDA, LLC**, Buena Park, CA (US)
(**) Term: **15 Years**
(21) Appl. No.: **29/607,470**
(22) Filed: **Jun. 13, 2017**
(51) **LOC (11) Cl.** **09-03**
(52) **U.S. Cl.**
USPC **D9/418**
(58) **Field of Classification Search**
USPC D9/199, 414-416, 418, 420, 423-426,
D9/428-430, 432-435, 455-457, 499,
D9/711, 721; D7/538; D27/185-192;
206/236-242, 245
CPC B65D 5/18; B65D 5/20; A45D 40/221
See application file for complete search history.

D639,652 S * 6/2011 Abdalkhani D9/418
D693,212 S * 11/2013 Lee D9/415
D702,546 S * 4/2014 McAdam D9/418
D712,275 S * 9/2014 Irek D9/418
D738,202 S * 9/2015 Stone D9/418
D738,716 S * 9/2015 Nettenstrom D9/418
(Continued)

OTHER PUBLICATIONS

“Window Boxes”, copyrighted May 23, 2017 [online], [retrieved Feb. 28, 2018]. Retrieved from internet, <http://www.mycustomboxes.com/product/window-boxes/>.
(Continued)

Primary Examiner — Barbara Fox
Assistant Examiner — Mehri F Bajoul
(74) *Attorney, Agent, or Firm* — Snell & Wilmer LLP

(57) **CLAIM**

The ornamental design for a packaging box, as shown and described.

DESCRIPTION

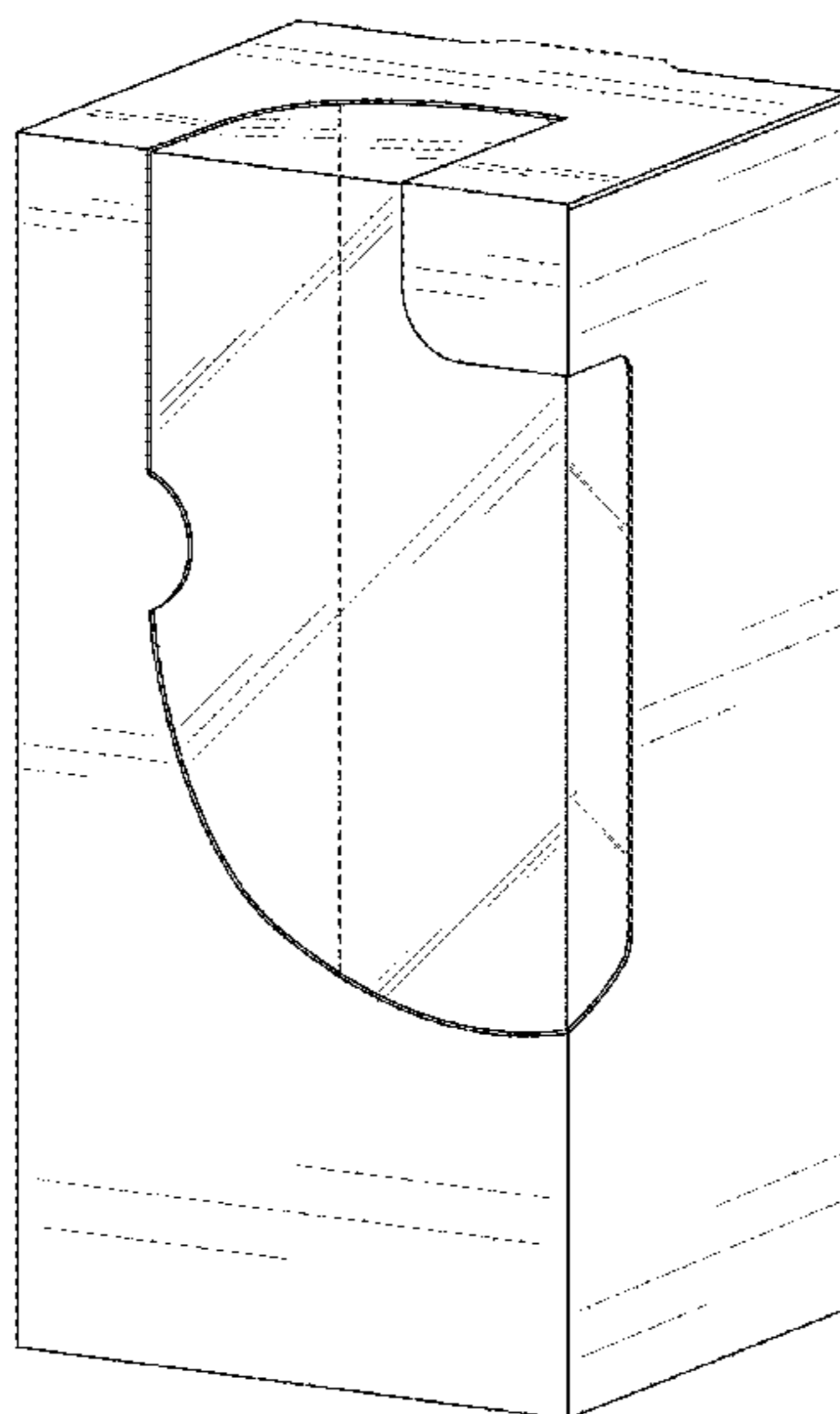
FIG. 1 is a front right perspective view of a packaging box showing my new design;
FIG. 2 is a rear left perspective view of the packaging box;
FIG. 3 is a front view of the packaging box;
FIG. 4 is a rear view of the packaging box;
FIG. 5 is a left side view of the packaging box;
FIG. 6 is a right side view of the packaging box;
FIG. 7 is a top view of the packaging box; and,
FIG. 8 is a bottom view of the packaging box.
The broken lines in the Figures depict portions of the packaging box that form no part of the claimed design. The interior of the packaging box forms no part of the claimed design. The bottom unshaded surfaces of the packaging box form no part of the claimed design.

1 Claim, 7 Drawing Sheets

(56) **References Cited**

U.S. PATENT DOCUMENTS

D190,772 S * 6/1961 Cuyler D9/418
D332,744 S * 1/1993 McCooey D9/415
D432,415 S * 10/2000 Teasdale D9/415
6,460,703 B1 * 10/2002 Thompson B65D 5/4204
206/68
D543,451 S * 5/2007 Timmermans D9/418
D547,644 S * 7/2007 Harper D9/418
D557,135 S * 12/2007 Demalsche D9/418
D576,483 S * 9/2008 Wintolders D9/418
D577,286 S * 9/2008 Sheppard D9/418
D600,110 S * 9/2009 Cain D9/418
D618,543 S * 6/2010 Polaski D9/418
D625,179 S * 10/2010 Gibson D9/423
D633,786 S * 3/2011 Gibson D9/423
D636,662 S * 4/2011 Ignacio D9/418



(56)

References Cited

U.S. PATENT DOCUMENTS

D787,324 S * 5/2017 Sotka D9/433
D788,580 S * 6/2017 Hainaut D9/432

OTHER PUBLICATIONS

“Southern Champion Tray”, earliest review posted May 12, 2013
[online], [retrieved Feb. 28, 2018]. Retrieved from internet, https://www.amazon.com/product-reviews/B008WCW754/ref=cm_cr_getr_d_paging_btm_7?ie=UTF8&showViewpoints=1&sortBy=recent&pageNumber=7.*

* cited by examiner

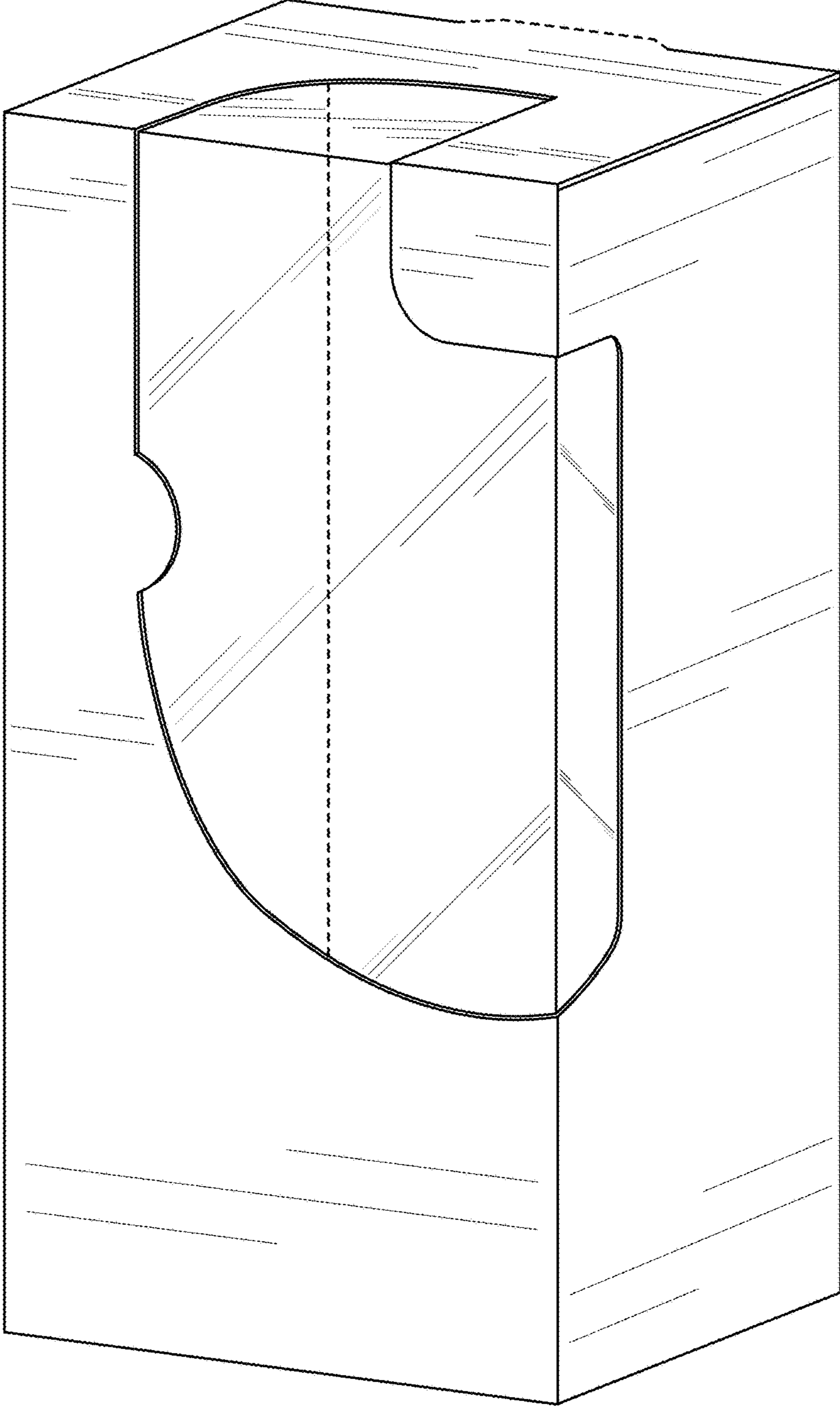


FIG. 1

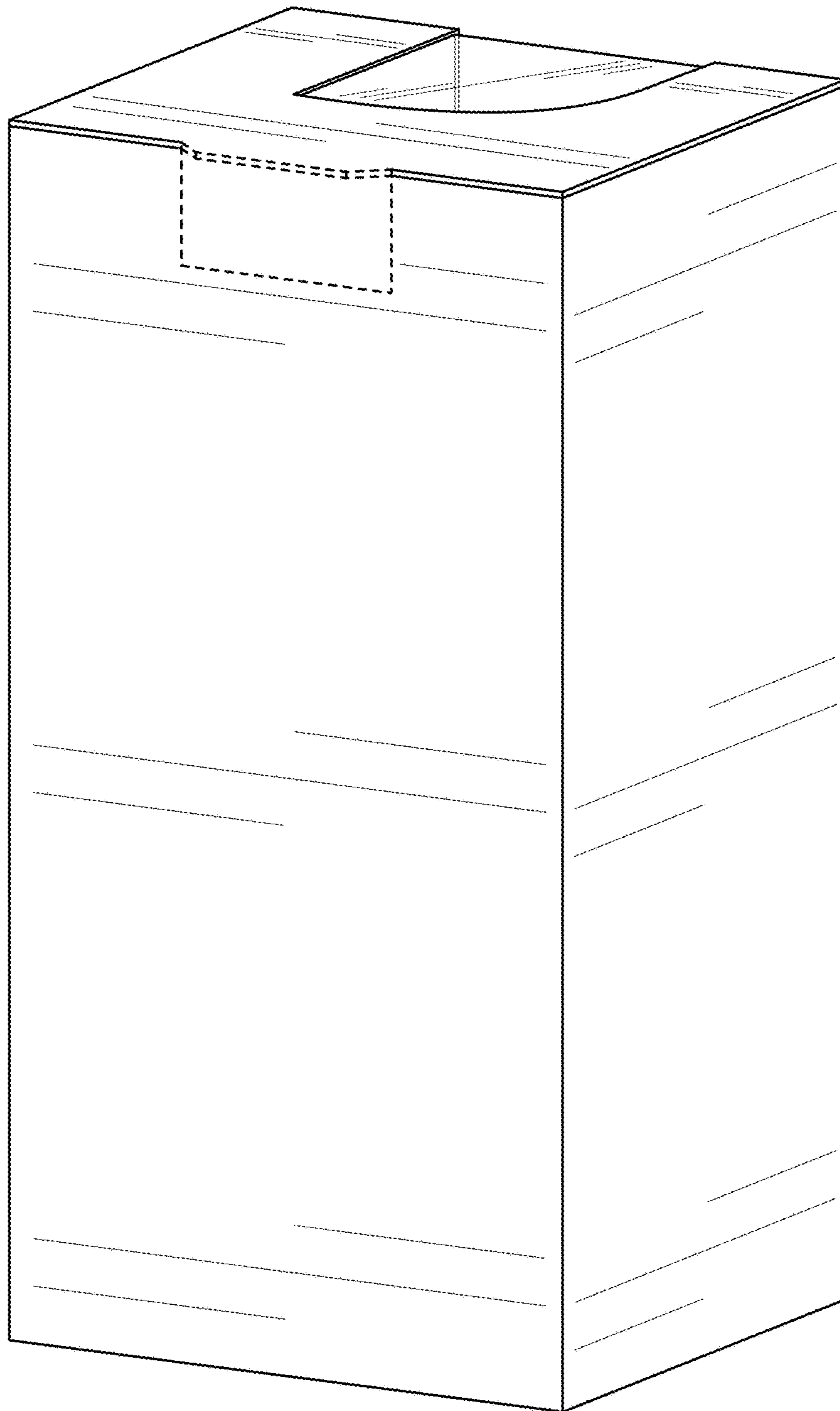


FIG. 2

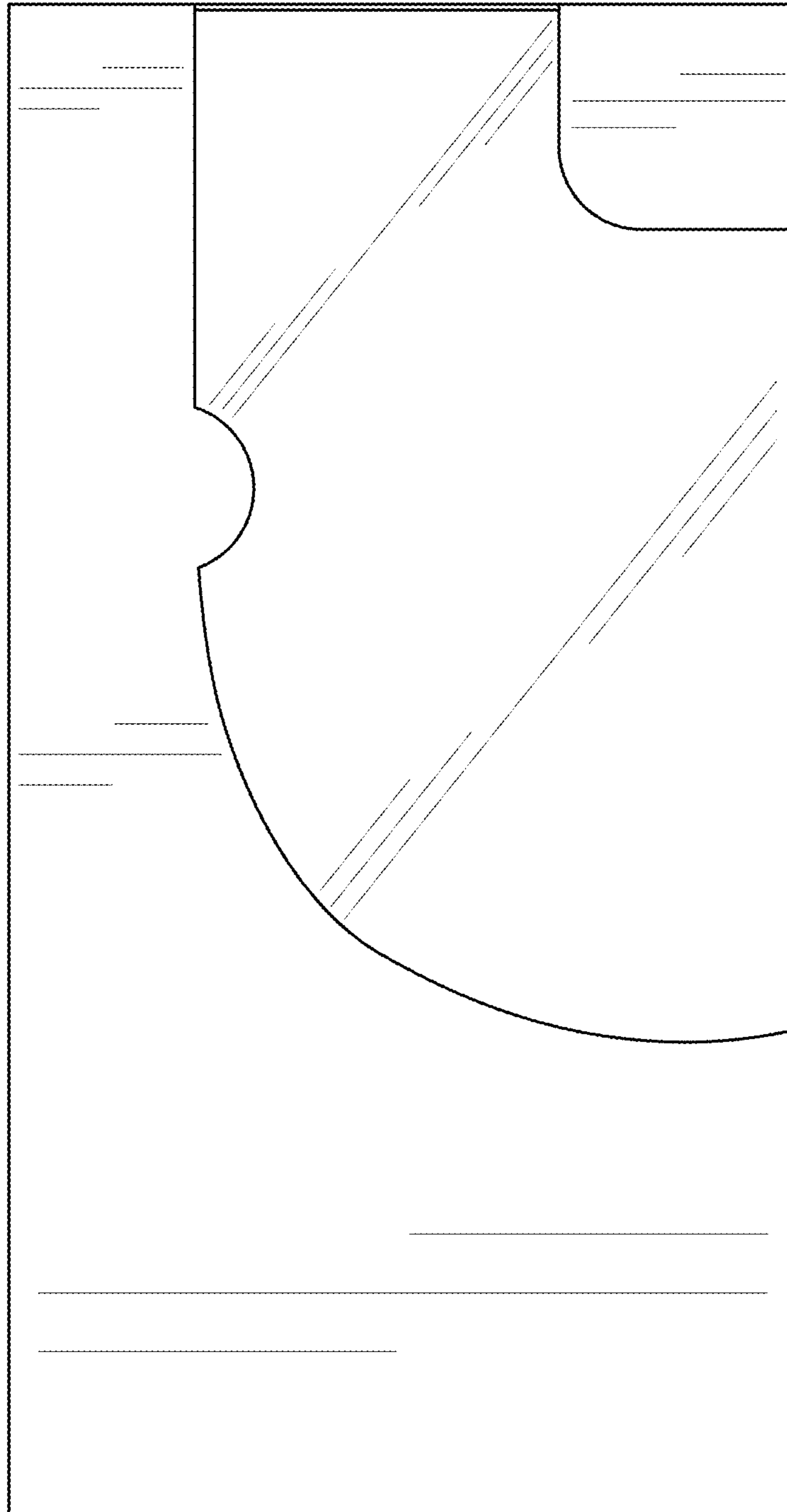


FIG. 3

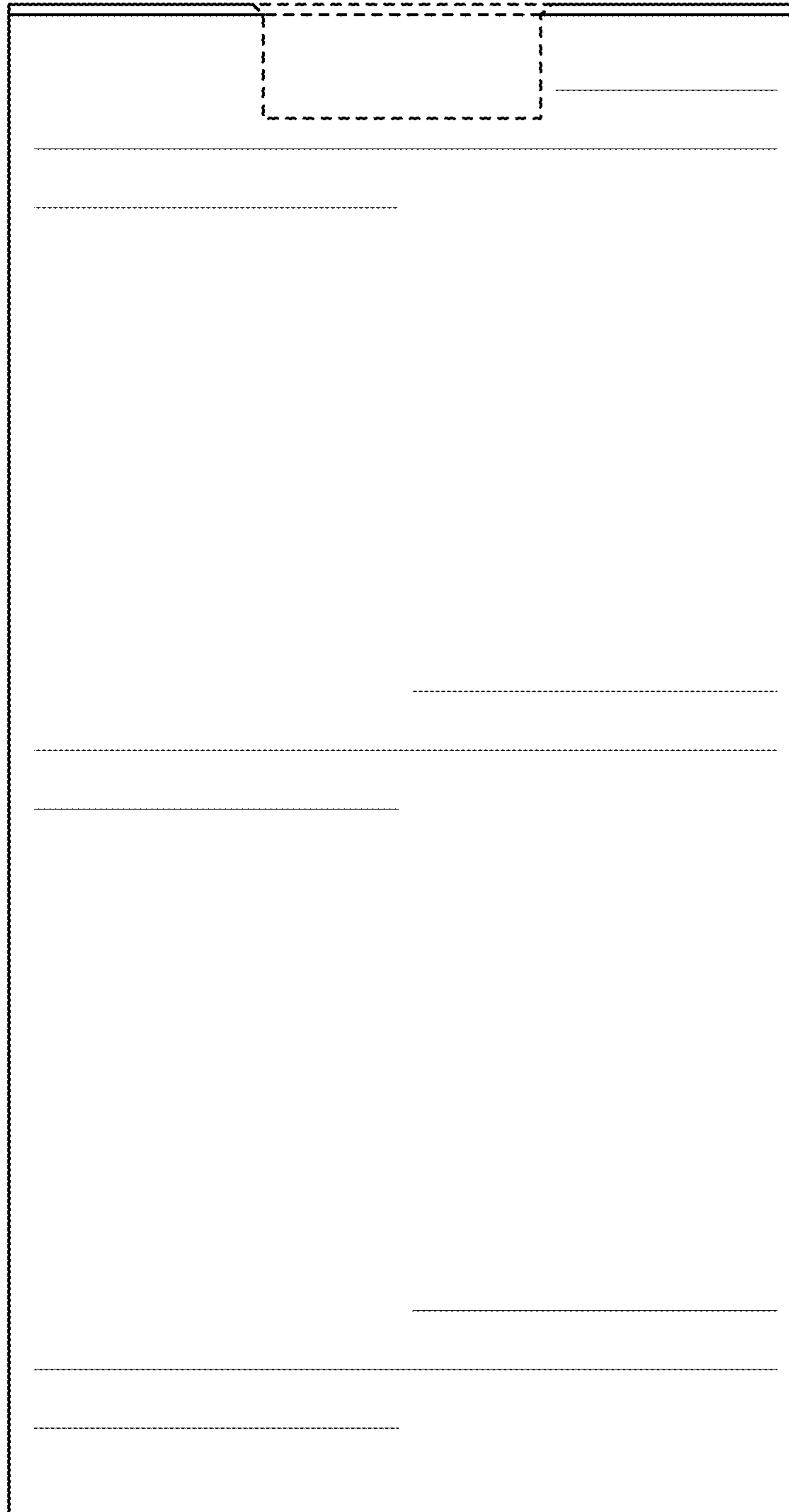


FIG. 4

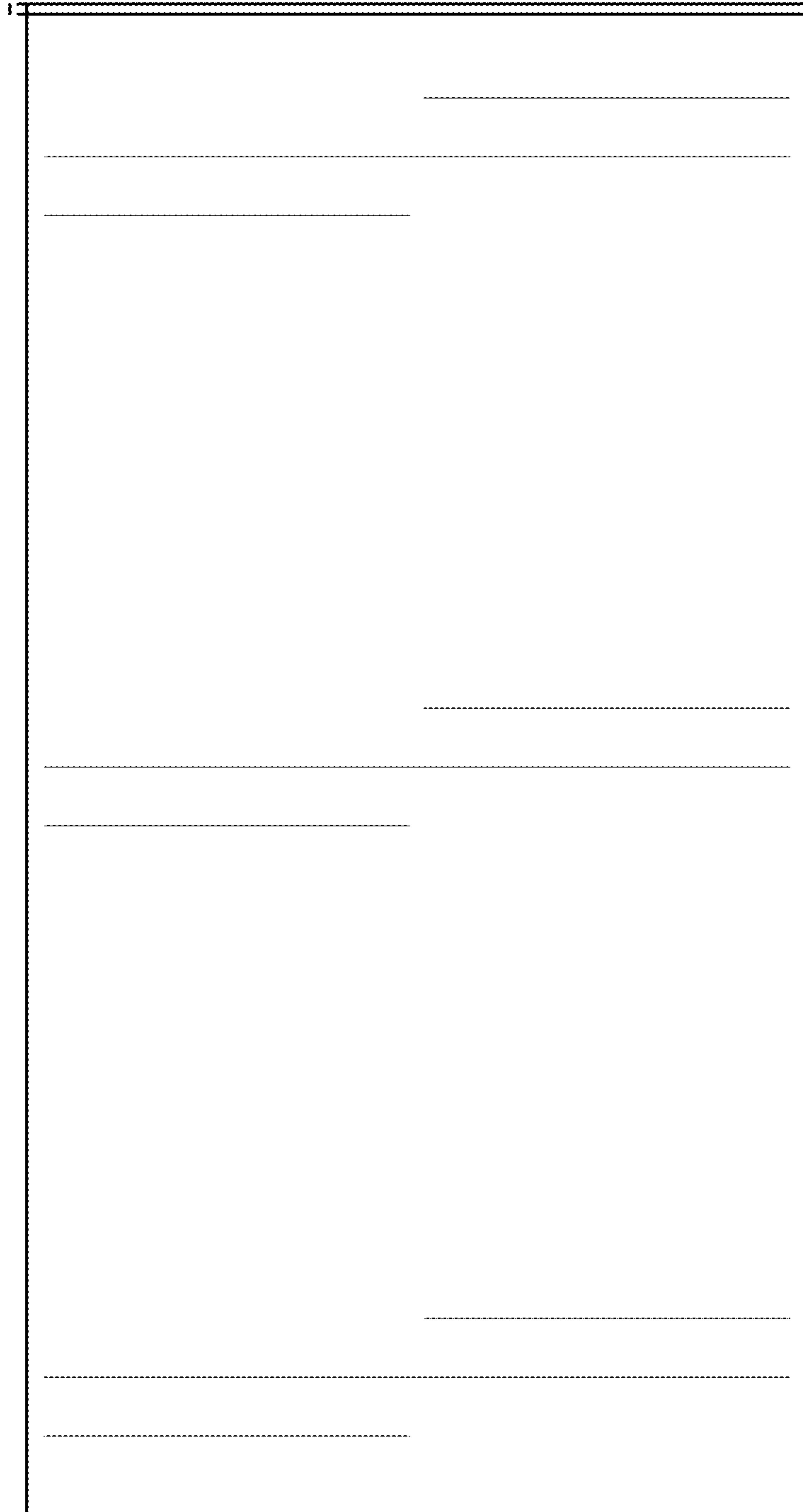


FIG. 5

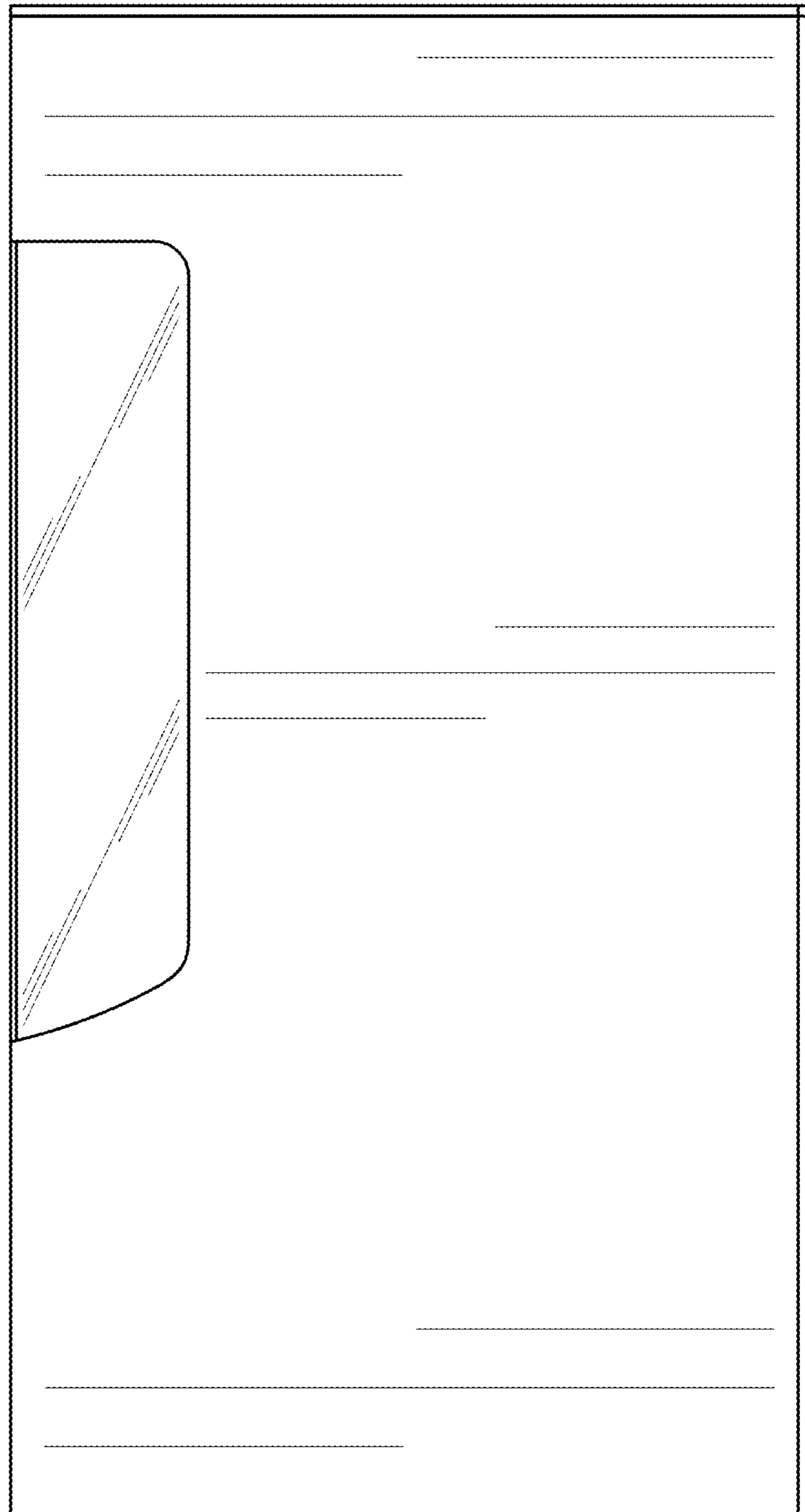


FIG. 6

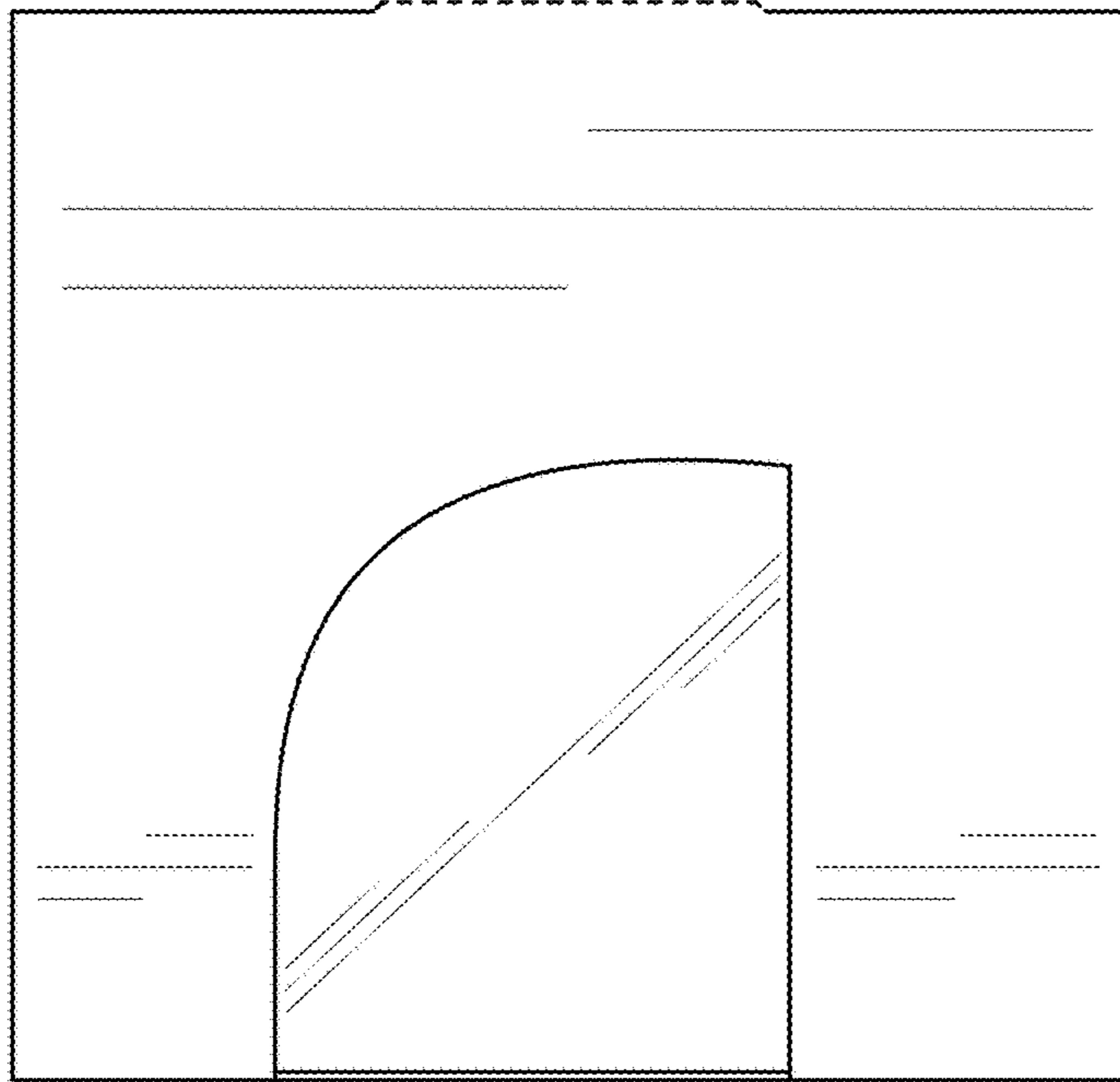


FIG. 7

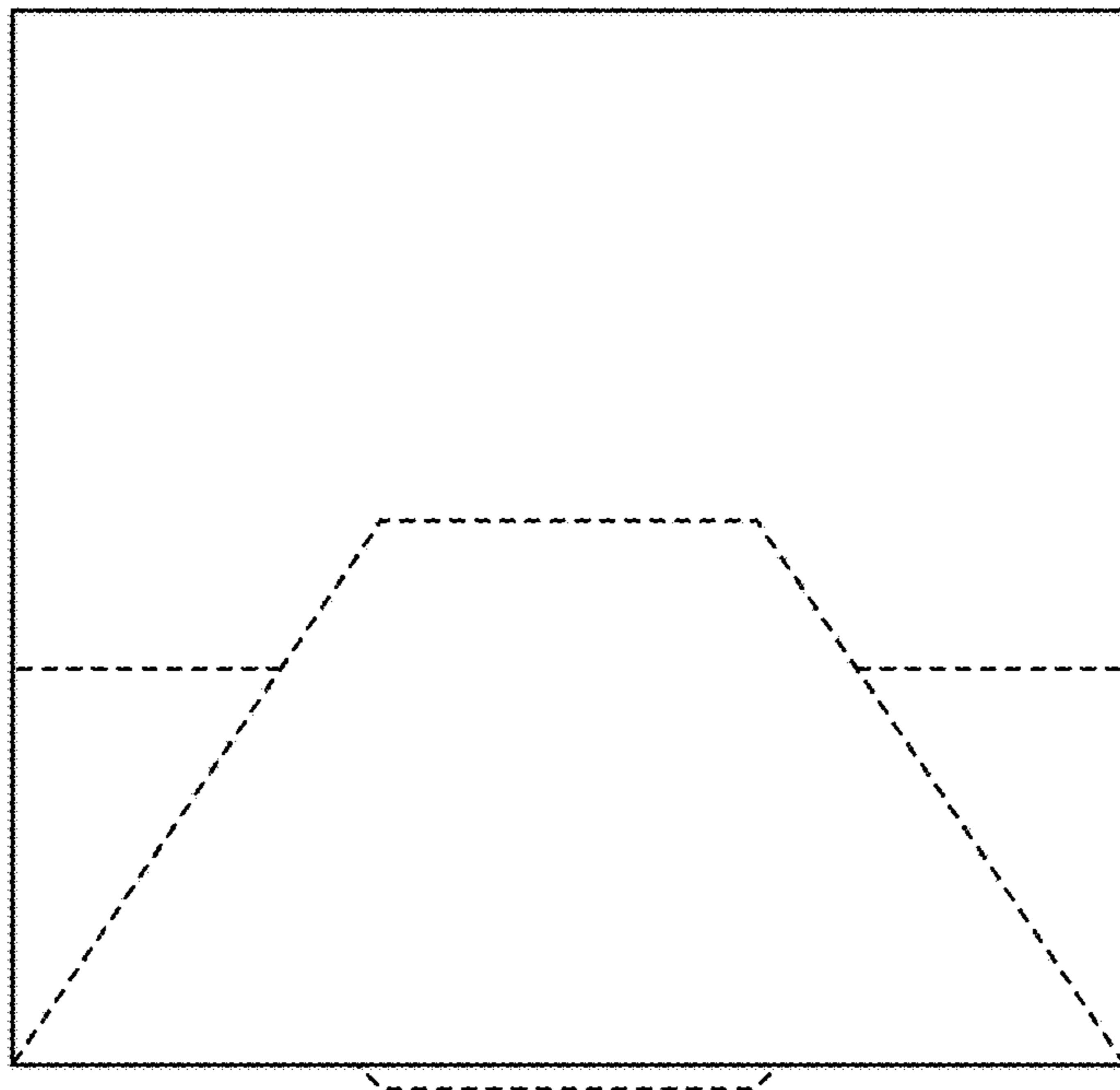


FIG. 8