



US00D822477S

(12) **United States Design Patent**  
**Ishizawa et al.**

(10) **Patent No.:** **US D822,477 S**  
(45) **Date of Patent:** **\*\* Jul. 10, 2018**

(54) **PACKAGING CONTAINER**  
(71) Applicant: **SEIKO EPSON CORPORATION,**  
Tokyo (JP)  
(72) Inventors: **Taku Ishizawa,** Matsumoto (JP);  
**Noriyuki Fukasawa,** Shiojiri (JP);  
**Manabu Akahane,** Nagano (JP); **Izumi**  
**Washizawa,** Shiojiri (JP); **Yasuhiko**  
**Fuchigami,** Shiojiri (JP)

D600,548 S \* 9/2009 Seol ..... D9/432  
D603,701 S \* 11/2009 Seol ..... D9/432  
D608,636 S \* 1/2010 Seol ..... D9/432  
D622,611 S \* 8/2010 Powers ..... D9/434  
D650,273 S \* 12/2011 Tekulve ..... D9/432  
D651,916 S \* 1/2012 Mochizuki ..... D9/624  
D653,950 S \* 2/2012 Ishizawa ..... D9/500  
D655,155 S \* 3/2012 Tekulve ..... D9/432  
D655,191 S \* 3/2012 Mochizuki ..... D9/624  
D655,192 S \* 3/2012 Mochizuki ..... D9/624  
D660,706 S \* 5/2012 Mochizuki ..... D9/516  
D692,771 S \* 11/2013 Sakai ..... D9/432

(Continued)

(73) Assignee: **SEIKO EPSON CORPORATION,**  
Tokyo (JP)

(\*\*) Term: **15 Years**

(21) Appl. No.: **29/577,704**

(22) Filed: **Sep. 15, 2016**

(30) **Foreign Application Priority Data**

Sep. 2, 2016 (JP) ..... 2016-018926

(51) **LOC (11) Cl.** ..... **09-03**

(52) **U.S. Cl.**  
USPC ..... **D9/414; D9/432**

(58) **Field of Classification Search**  
USPC ... D9/414-18, 430-434, 489, 492, 487, 499,  
D9/516, 493, 502-505; D14/485-487,  
D14/492; D20/2, 11, 22, 27  
CPC ..... A61B 50/00; G09F 3/00  
See application file for complete search history.

(56) **References Cited**

**U.S. PATENT DOCUMENTS**

D587,111 S \* 2/2009 Seol ..... D5/56  
D589,359 S \* 3/2009 Kusumi ..... D9/432  
D590,250 S \* 4/2009 Seol ..... D5/56  
D590,251 S \* 4/2009 Seol ..... D5/56  
D590,253 S \* 4/2009 Seol ..... D5/56  
D599,201 S \* 9/2009 Seol ..... D9/432

**OTHER PUBLICATIONS**

Epson America, Inc., <<http://www.epson.com/cgi-bin/Store/jsp/ProductCategory.do?UseCookie=yes&oid=-19881>>, available at least as early as Aug. 4, 2015.

*Primary Examiner* — Caron D Veynar  
*Assistant Examiner* — Mehri F Bajoul

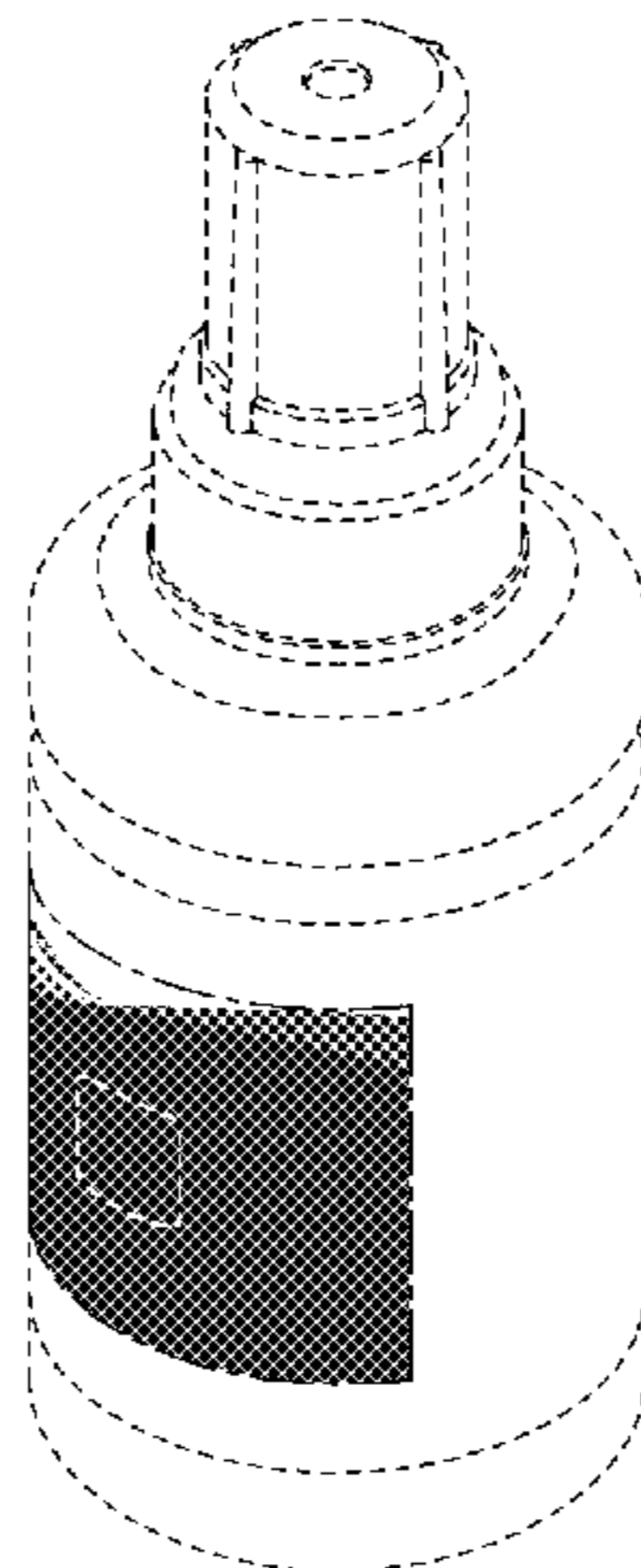
(57) **CLAIM**

The ornamental design for a packaging container, as shown and described.

**DESCRIPTION**

FIG. 1 is a front, top and right side perspective view of a packaging container showing our new design;  
FIG. 2 is a front view thereof;  
FIG. 3 is a rear view thereof;  
FIG. 4 is a top plan view thereof;  
FIG. 5 is a bottom plan view thereof;  
FIG. 6 is a right side view thereof; and,  
FIG. 7 is a left side view thereof.  
The uniformly-dashed, black lines illustrate portions of the packaging container and form no part of the claimed design. The white broken lines form no part of the claimed design. The dash-dotted lines denote the boundary of the claim and form no part of the claimed design.

**1 Claim, 6 Drawing Sheets**



(56)

**References Cited**

U.S. PATENT DOCUMENTS

D767,398 S	*	9/2016	Miyazaki .....	D9/499
D769,121 S	*	10/2016	Mochizuki .....	D9/499
D775,964 S	*	1/2017	Mochizuki .....	D9/432
D796,314 S	*	9/2017	Riffe .....	D9/414
D799,545 S	*	10/2017	Guzman .....	D14/492
D800,573 S	*	10/2017	Mochizuki .....	D9/624
D801,185 S	*	10/2017	Takanishi .....	D9/624

\* cited by examiner

Fig. 1

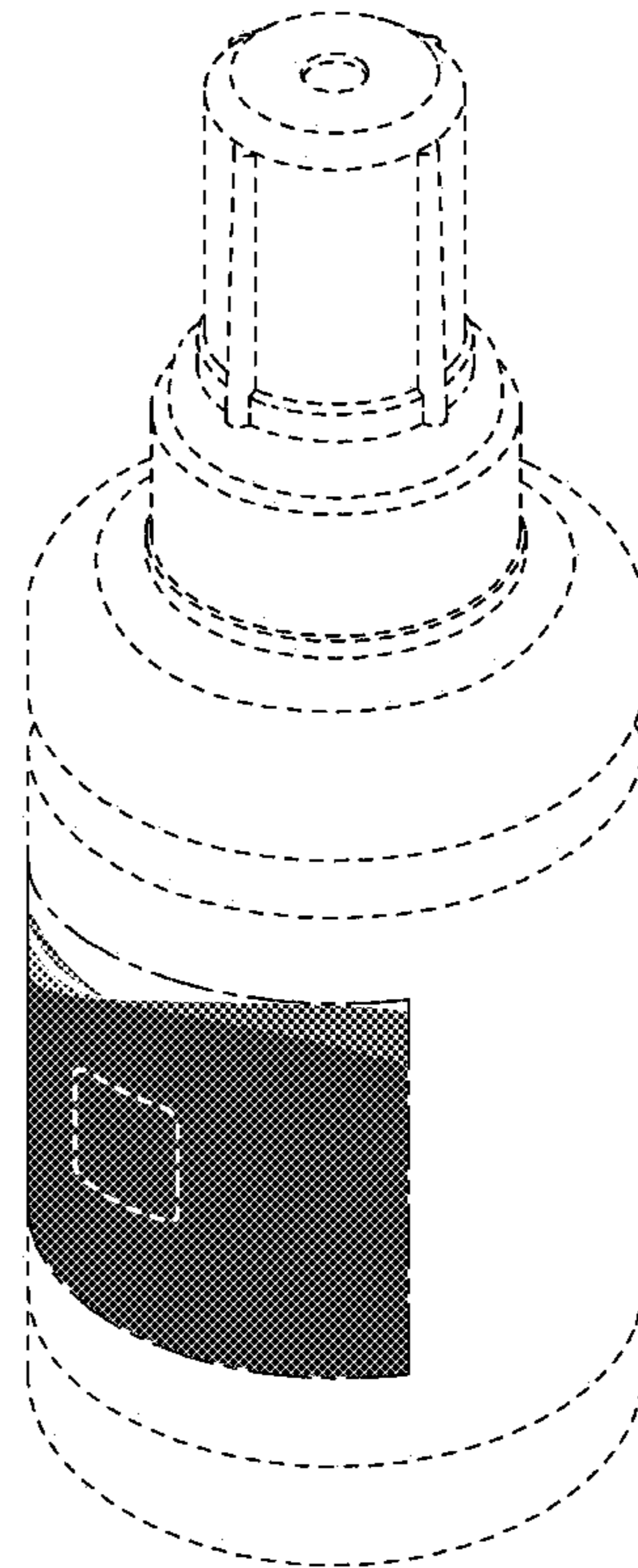


Fig.2

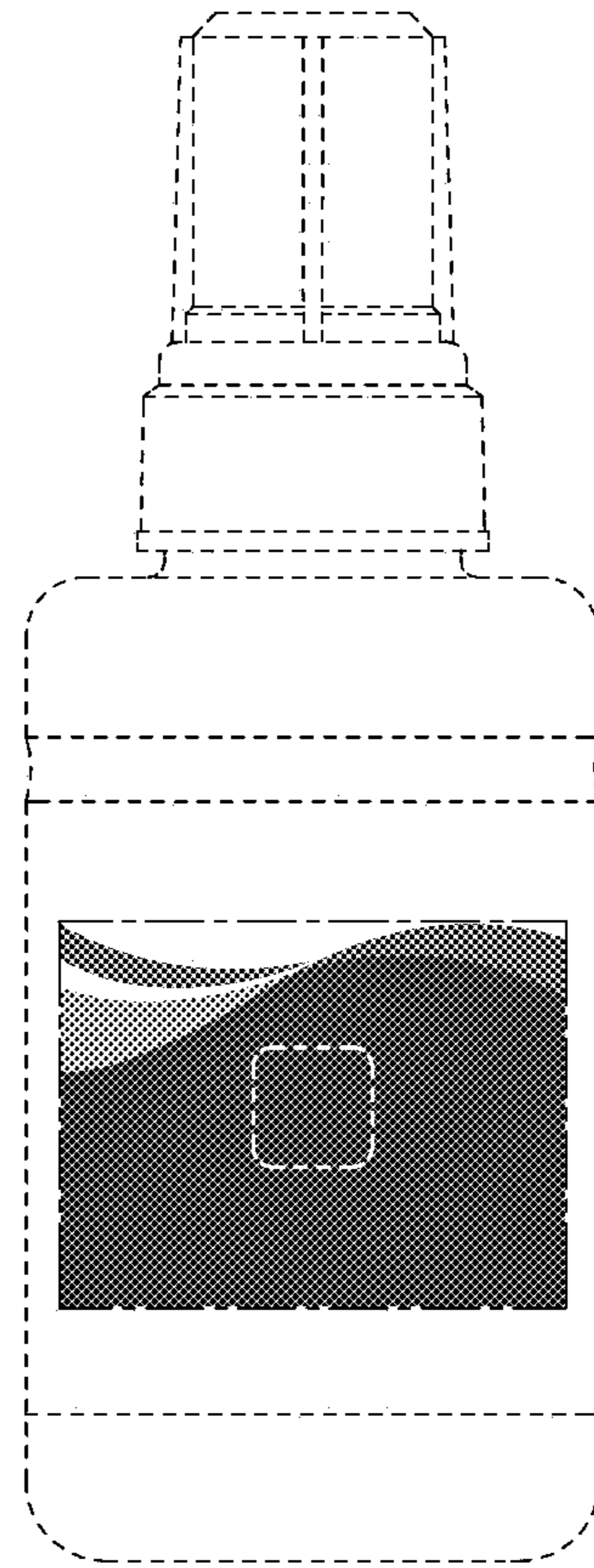


Fig.3

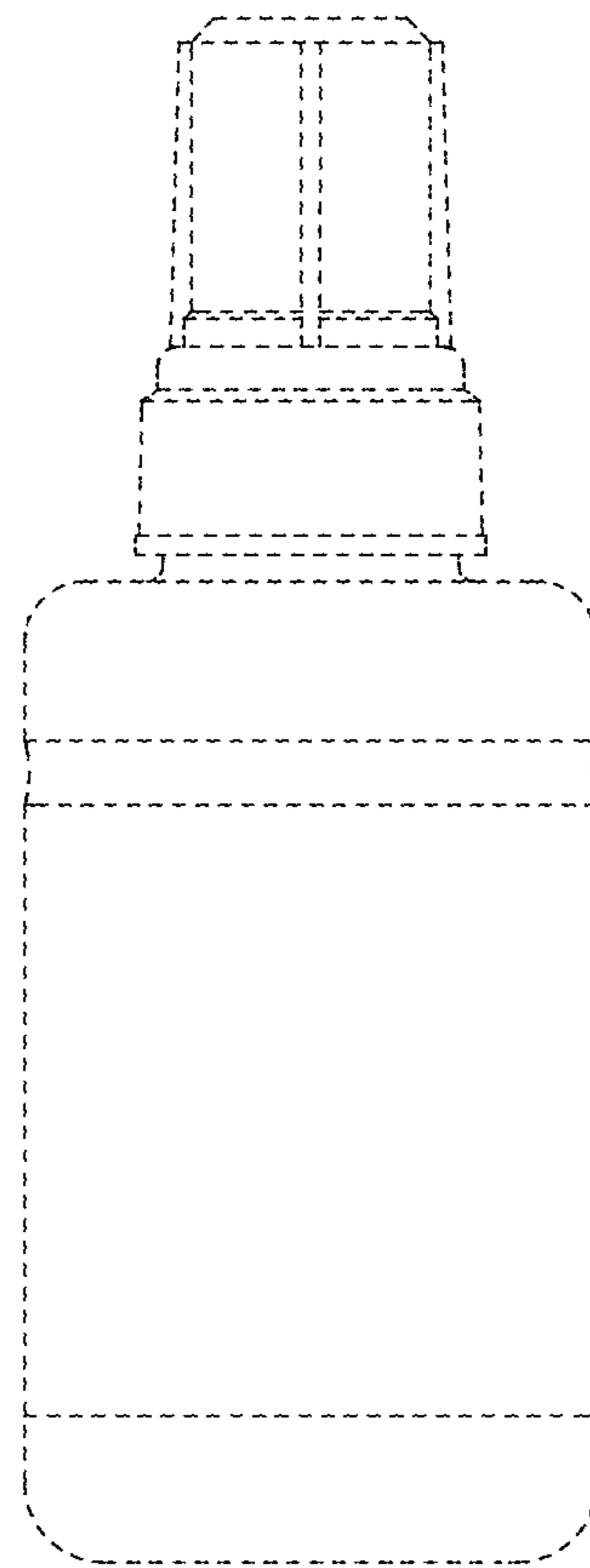


Fig.4

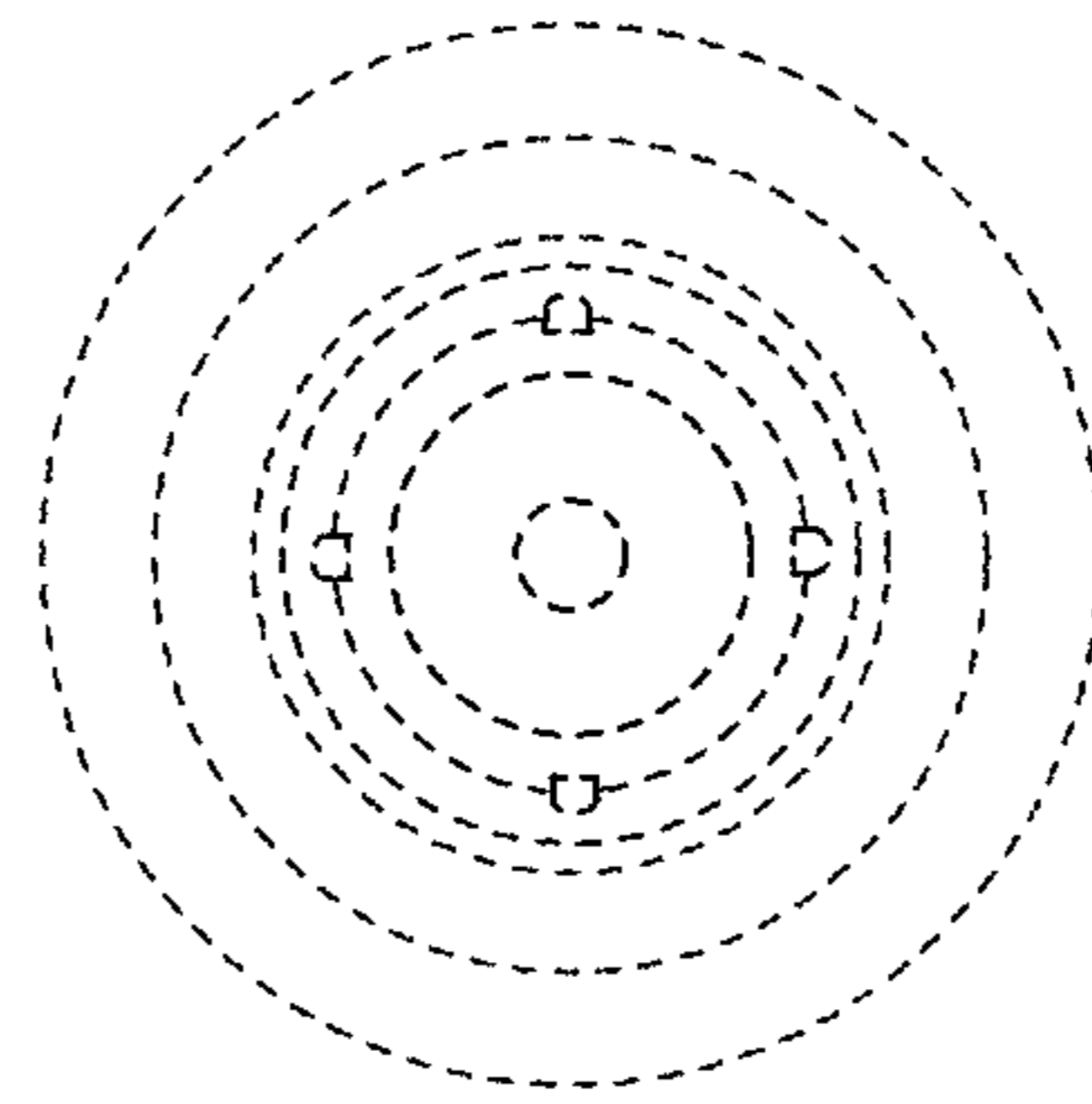


Fig.5

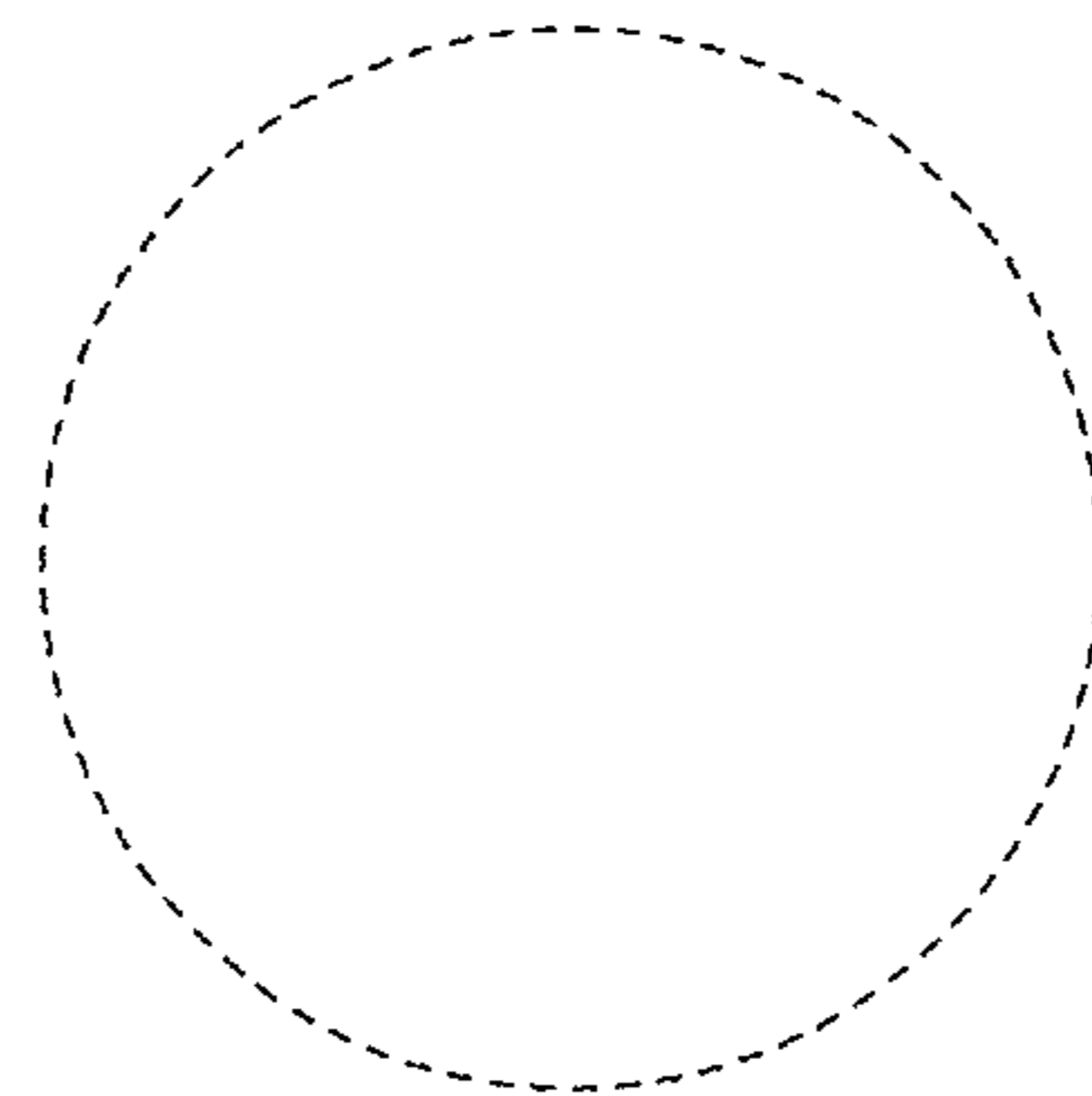


Fig.6

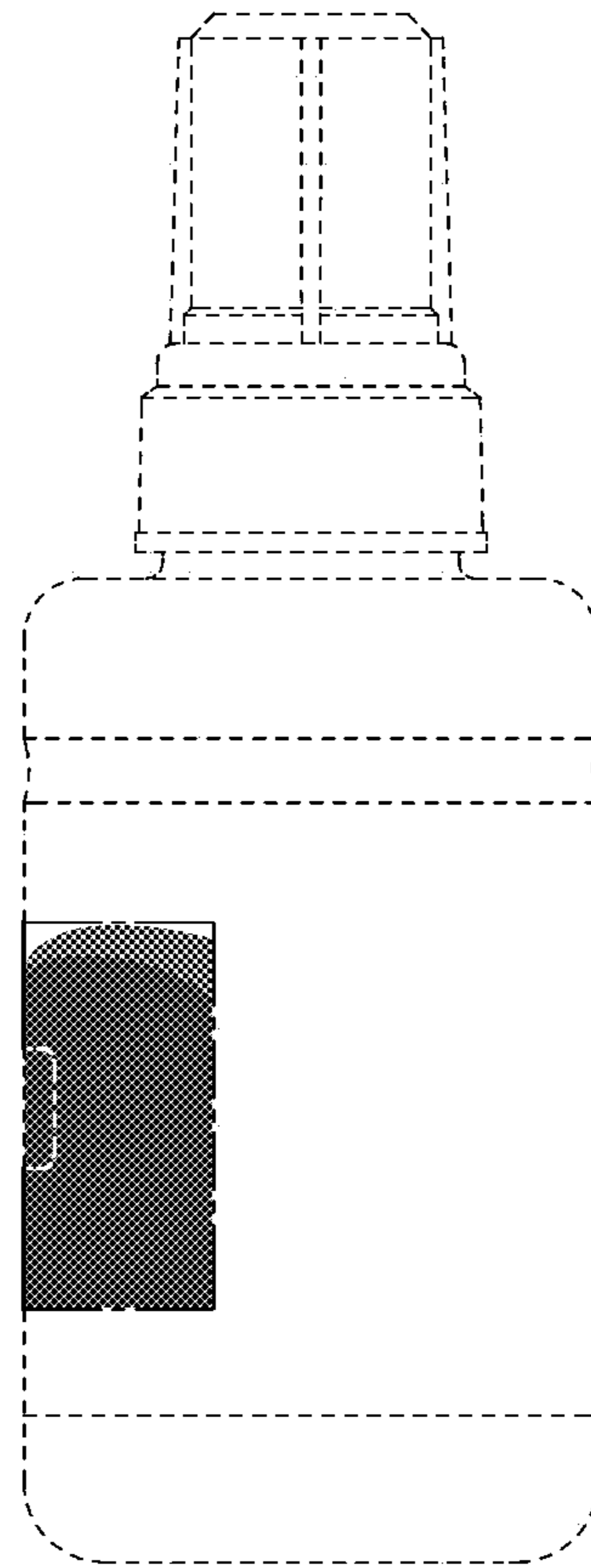


Fig.7

